

US00D977150S

(12) **United States Design Patent** (10) **Patent No.:** **US D977,150 S**
Gouge et al. (45) **Date of Patent:** **** *Jan. 31, 2023**

(54) **DOOR**

(71) Applicant: **Masonite Corporation**, Tampa, FL (US)

(72) Inventors: **Timothy D. Gouge**, Elgin, IL (US);
Robert C. Allen, Elburn, IL (US);
Jason M. Walsh, Batavia, IL (US);
Mark Albrighton, Wesley Chapel, FL (US)

(73) Assignee: **Masonite Corporation**, Tampa, FL (US)

(*) Notice: This patent is subject to a terminal disclaimer.

(**) Term: **15 Years**

(21) Appl. No.: **29/767,893**

(22) Filed: **Jan. 26, 2021**

Related U.S. Application Data

(60) Division of application No. 29/694,457, filed on Jun. 11, 2019, now Pat. No. Des. 908,922, which is a (Continued)

(51) **LOC (14) Cl.** **25-02**

(52) **U.S. Cl.**
USPC **D25/48.3**

(58) **Field of Classification Search**
USPC D25/48.1, 48.3, 48.4, 48.5, 138 (Continued)

(56) **References Cited**

U.S. PATENT DOCUMENTS

432,504 A * 7/1890 Amsden E06B 3/5892
52/455
926,361 A * 6/1909 Sjobring E06B 3/5892
52/455

(Continued)

Primary Examiner — Leanne Was-Englehart

(74) *Attorney, Agent, or Firm* — Calderon, Safran & Cole P.C.

(57) **CLAIM**

The ornamental design for a door, as shown and described.

DESCRIPTION

FIG. 1 is a front perspective view of a first embodiment of a door, showing our new design;
FIG. 2 is a front elevational view thereof;
FIG. 3 is a rear elevational view thereof;
FIG. 4 is an enlarged view of a portion of the door shown in the circle "4" of FIG. 1;
FIG. 5 is a top plan view thereof;
FIG. 6 is a bottom plan view thereof;
FIG. 7 is a cross sectional view taken along line 7-7 of FIG. 2;
FIG. 8 is a cross sectional view taken along line 8-8 of FIG. 2;
FIG. 9 is an enlarged view of a portion of the door shown in the circle "9" of FIG. 7;
FIG. 10 is an enlarged view of a portion of the door shown in the circle "10" of FIG. 8;
FIG. 11 is a right side elevational view thereof;
FIG. 12 is a left side elevational view thereof;
FIG. 13 is a cross sectional view taken along line 13-13 of FIG. 2;
FIG. 14 is an enlarged view of a portion of the door shown in the circle "14" of FIG. 13;
FIG. 15 is an enlarged view of a portion of the door shown in the circle "15" of FIG. 13;
FIG. 16 is a front perspective view of a second embodiment of the door, showing our new design;
FIG. 17 is a front elevational view thereof;
FIG. 18 is a rear elevational view thereof;
FIG. 19 is an enlarged view a portion of the door shown in the circle "19" of FIG. 16;
FIG. 20 is a top plan view thereof;
FIG. 21 is a bottom plan view thereof;
FIG. 22 is a cross sectional view taken along line 22-22 in FIG. 17;
FIG. 23 is a cross sectional view taken along line 23-23 in FIG. 17;

(Continued)

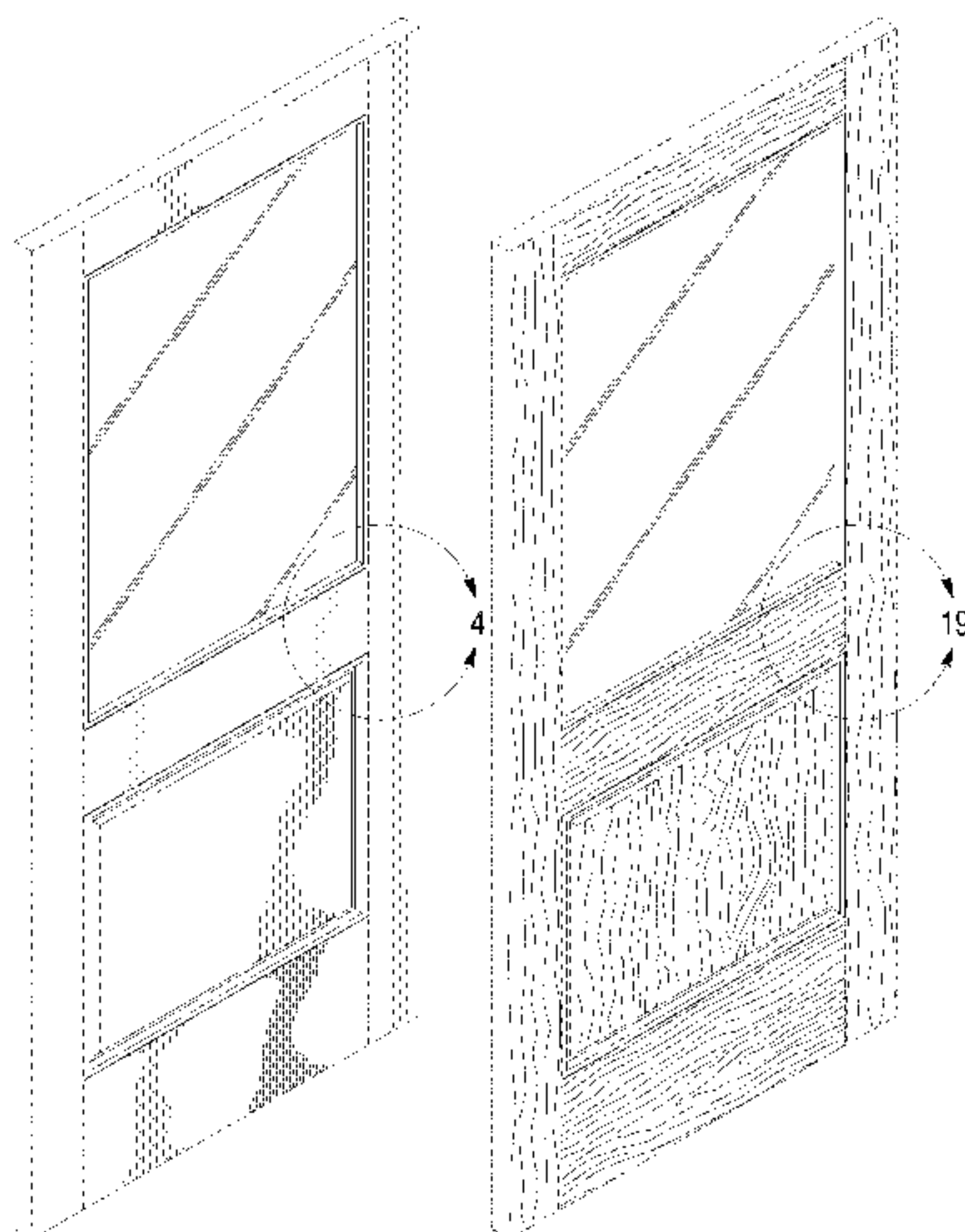


FIG. 24 is an enlarged view of a portion of the door shown in the circle "24" of FIG. 22;
 FIG. 25 is an enlarged view of a portion of the door shown in the circle "25" of FIG. 23;
 FIG. 26 is a right side elevational view thereof;
 FIG. 27 is a left side elevational view thereof;
 FIG. 28 is a cross sectional view taken along line 28-28 of FIG. 17;
 FIG. 29 is an enlarged fragmentary cross sectional view of a portion of the door shown in the circle "29" of FIG. 28; and,
 FIG. 30 is an enlarged fragmentary cross sectional view of a portion of the door shown in the circle "30" of FIG. 28. The evenly spaced broken lines depict portions of the door that form no part of the claimed design. The dot-dot-dash broken lines depict the limits of the enlarged views and form no part of the claimed design.

1 Claim, 16 Drawing Sheets

Related U.S. Application Data

continuation of application No. 29/641,150, filed on Mar. 20, 2018, now Pat. No. Des. 851,280, which is a continuation of application No. 29/605,707, filed on May 30, 2017, now Pat. No. Des. 813,412, which is a division of application No. 29/529,342, filed on Jun. 5, 2015, now Pat. No. Des. 788,322.

(58) **Field of Classification Search**

CPC E06B 3/4636; E06B 3/485; E06B 3/58; E06B 3/5892; E06B 3/72; E06B 3/78; E06B 2003/7044; E06B 1/04; E06B 5/00
 See application file for complete search history.

(56)

References Cited

U.S. PATENT DOCUMENTS

956,556	A *	5/1910	Wege	E06B 3/5892 52/800.17
985,912	A *	3/1911	Lindros	E06B 3/5892 52/455
986,013	A *	3/1911	Klemm	E06B 3/728 52/800.18
988,574	A *	4/1911	Jones	E06B 3/5892 52/455
1,021,053	A *	3/1912	Lempera	E06B 3/5892 52/455
1,086,934	A *	2/1914	Parish	E06B 3/5892 52/800.17
1,094,025	A *	4/1914	Scott	E06B 3/60 52/764
1,391,949	A *	9/1921	Gogay	E06B 3/728 52/784.13
1,466,650	A *	8/1923	Peterson	E06B 3/728 52/455
D529,188	S	9/2006	Walsh et al.	
D566,293	S	4/2008	Walsh et al.	
D593,212	S	5/2009	Walsh et al.	
D608,904	S	1/2010	Walsh et al.	
D660,979	S	5/2012	Walsh	
D665,099	S	8/2012	Paxton	
D736,409	S	8/2015	Gouge et al.	
D756,534	S *	5/2016	Allen	D25/48.3
D788,322	S *	5/2017	Gouge	D25/48.3
D797,310	S *	9/2017	Gouge	D25/48.3
D797,954	S *	9/2017	Allen	D25/48.3
D800,920	S *	10/2017	Gouge	D25/48.3
D813,412	S *	3/2018	Gouge	D25/48.3
D851,280	S *	6/2019	Gouge	D25/48.3
D851,784	S *	6/2019	Gouge	D25/48.3
D853,586	S *	7/2019	Gouge	D25/48.3
D895,150	S *	9/2020	Gouge	D25/48.3
D908,922	S *	1/2021	Gouge	D25/48.3
D946,174	S *	3/2022	Gouge	D25/48.3
2019/0330915	A1 *	10/2019	Ege	E06B 3/822

* cited by examiner

FIG. 1

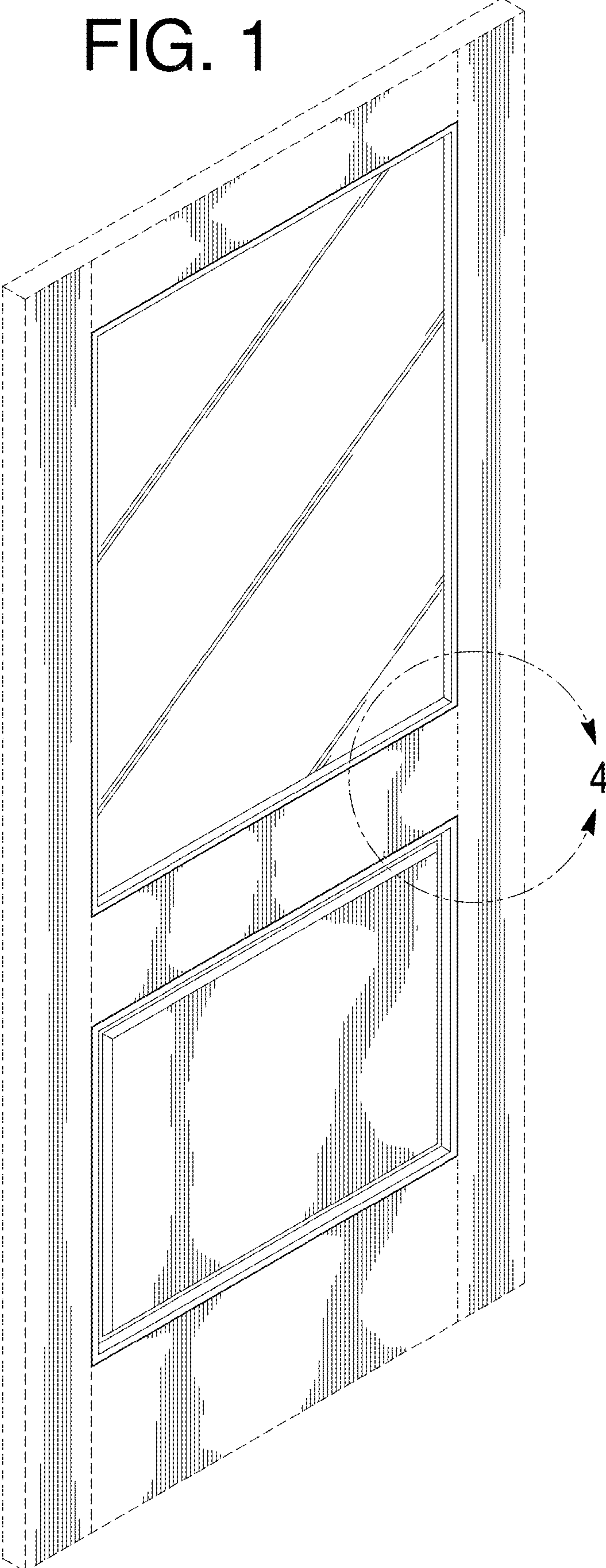


FIG. 2

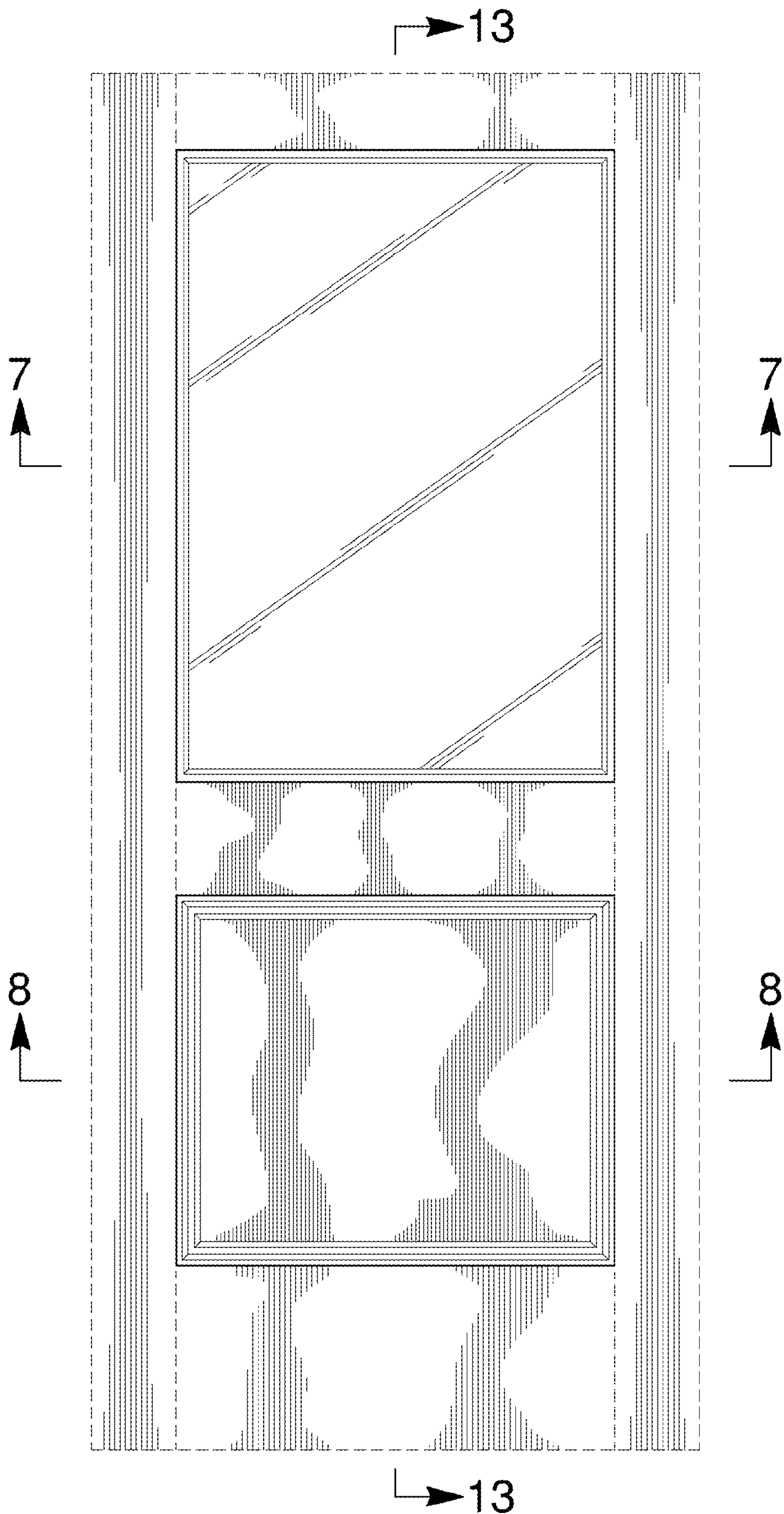


FIG. 3

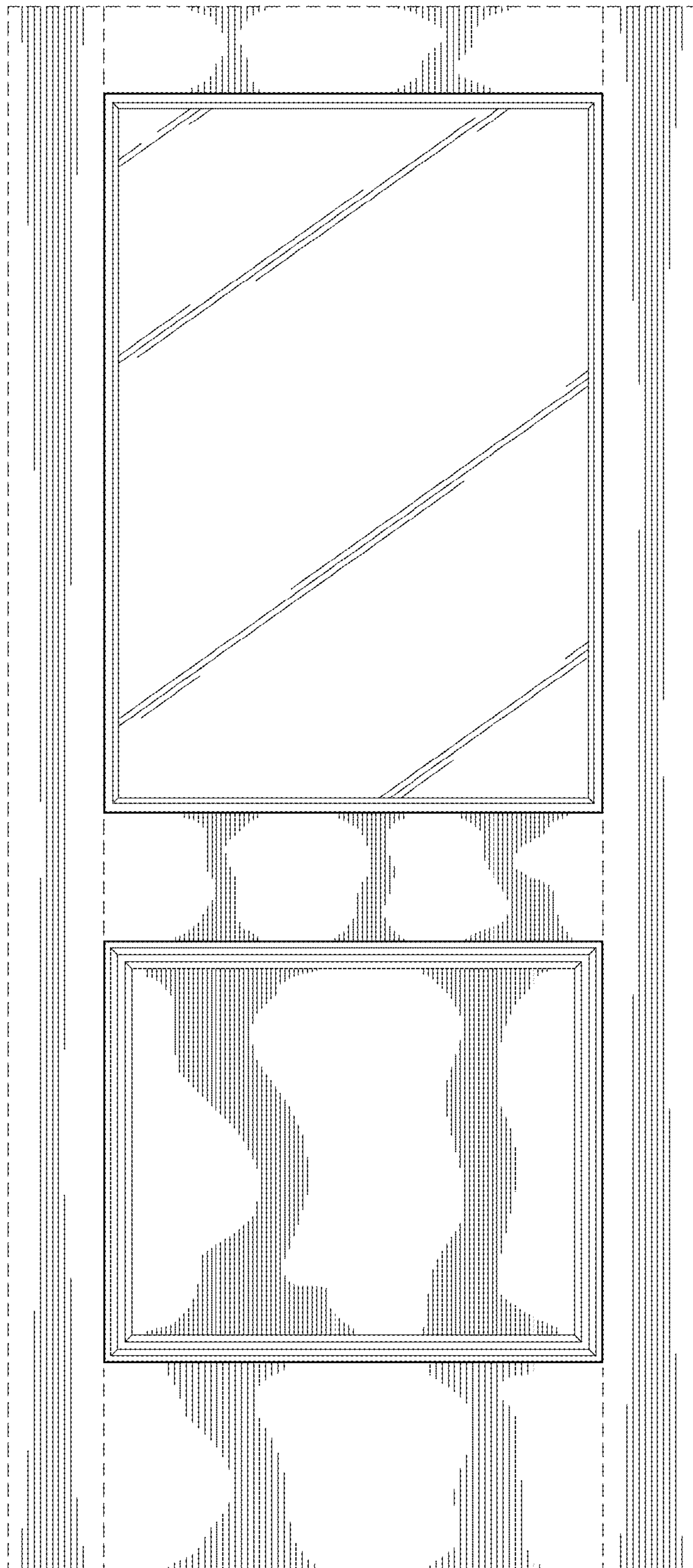


FIG. 4

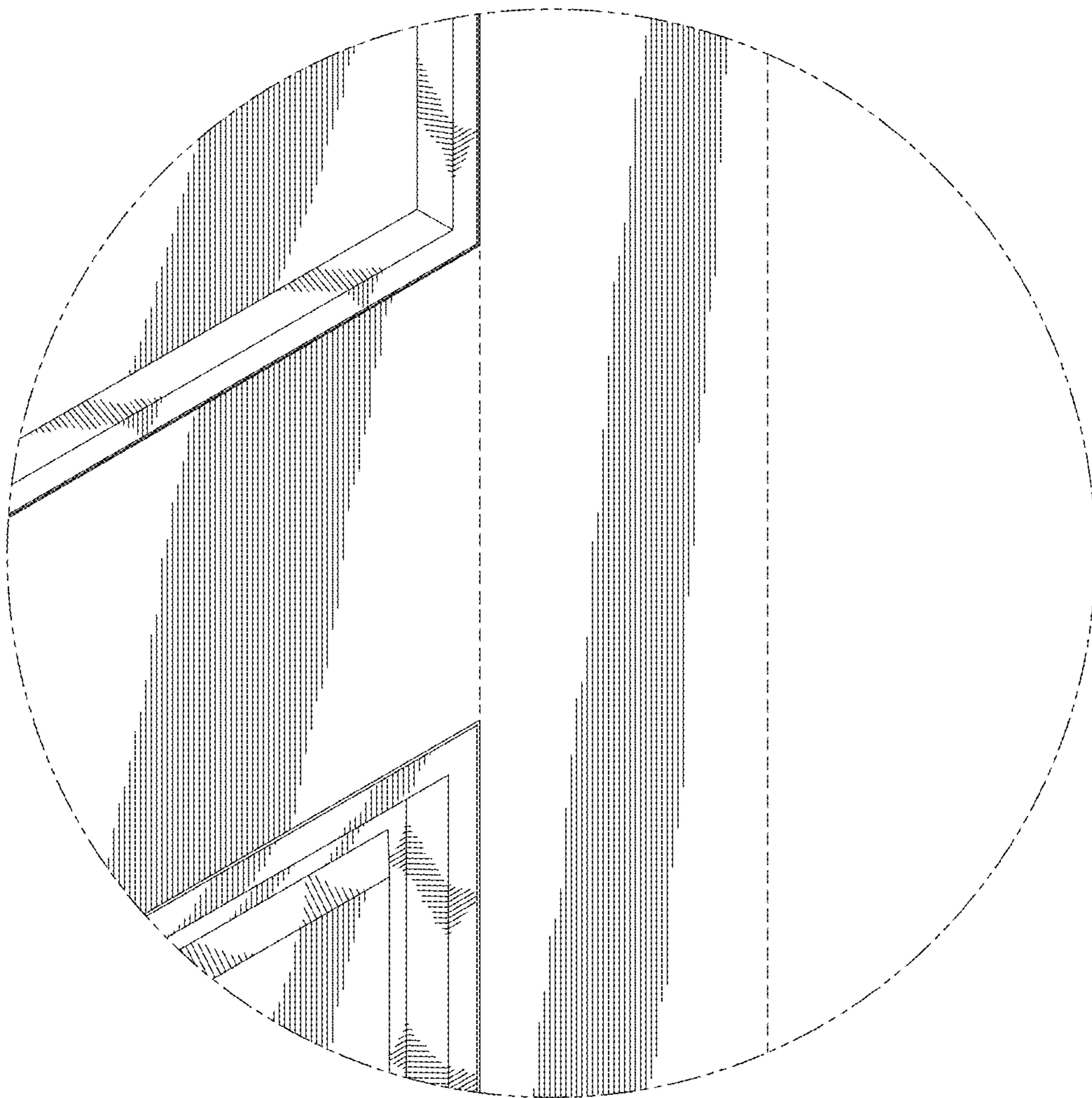


FIG. 5



FIG. 6

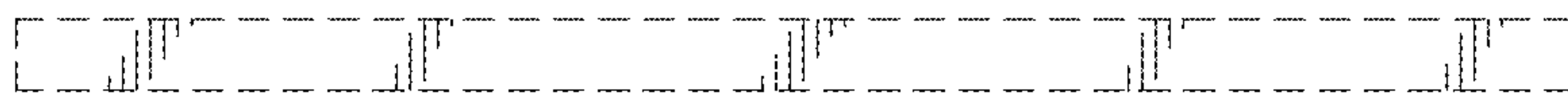


FIG. 7

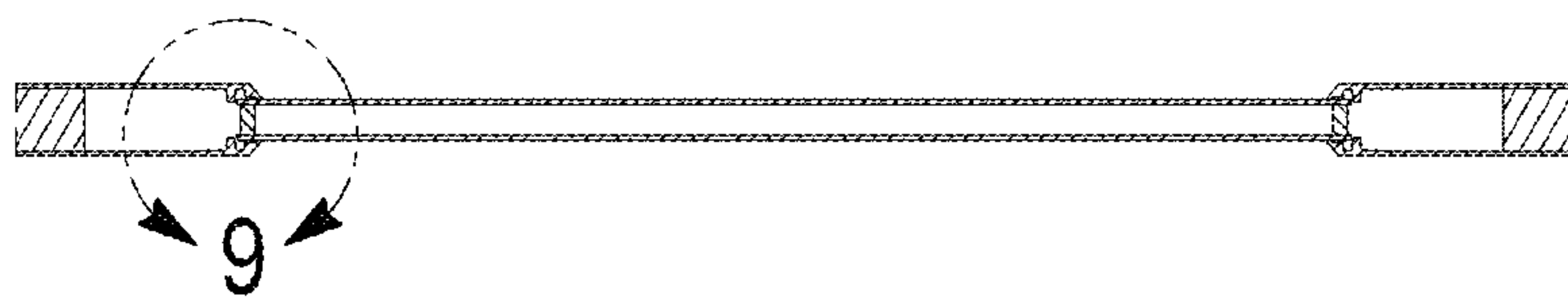
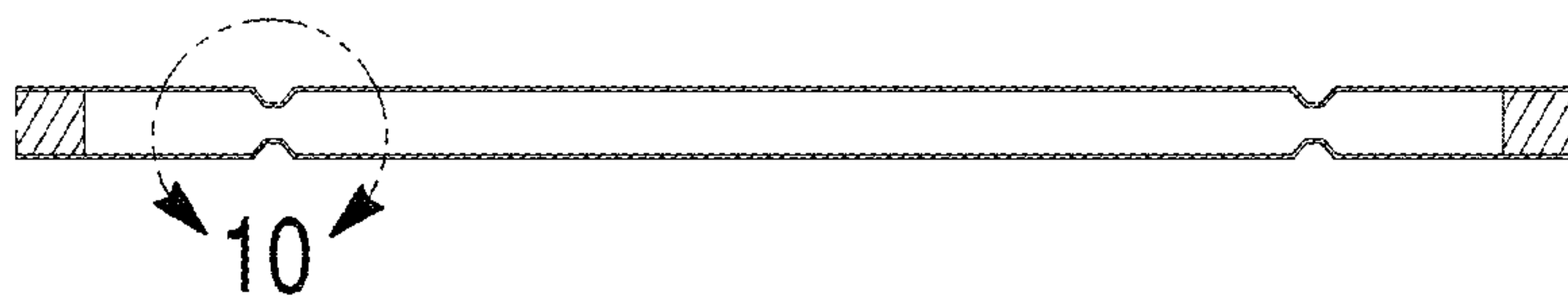


FIG. 8



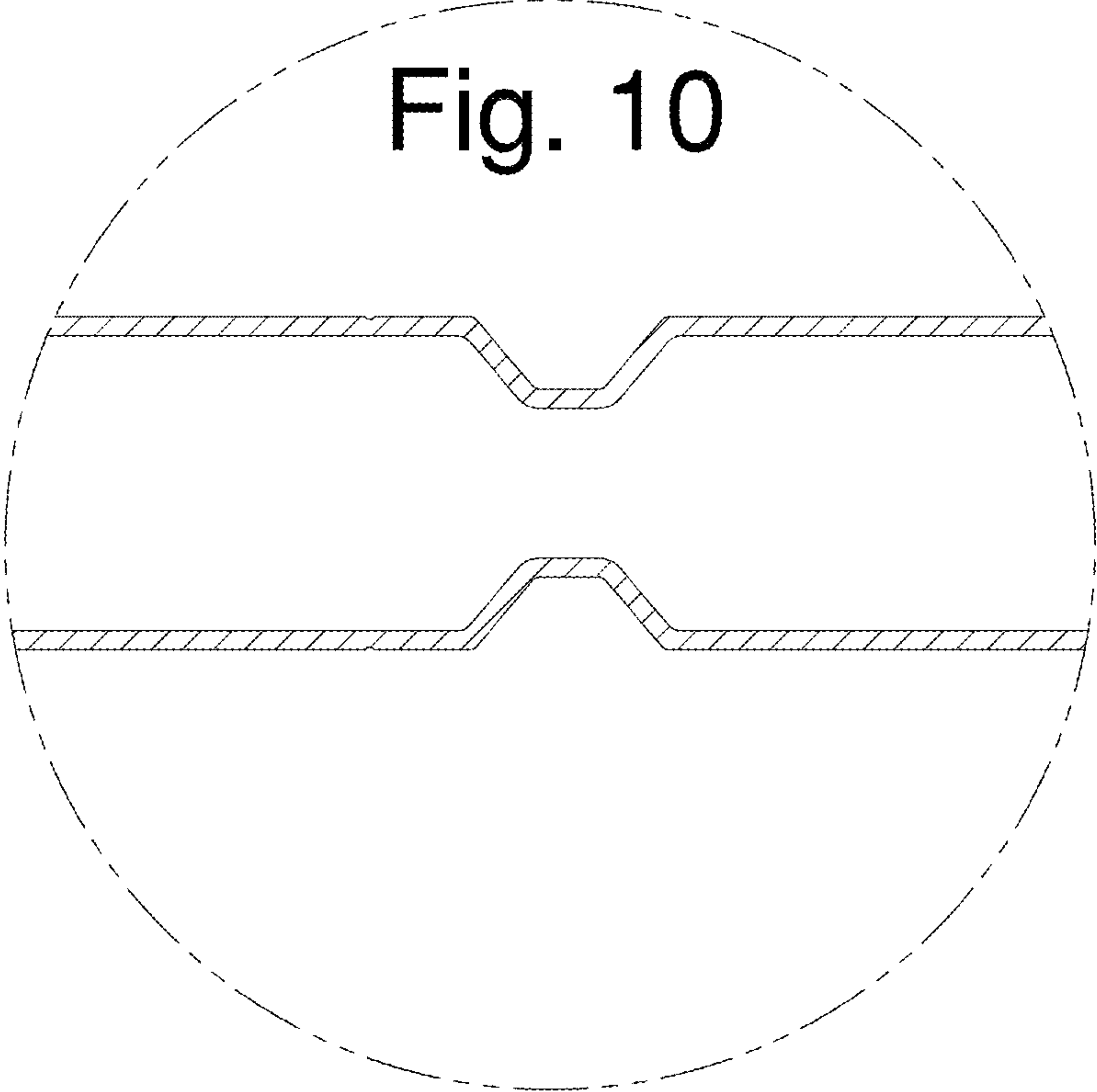
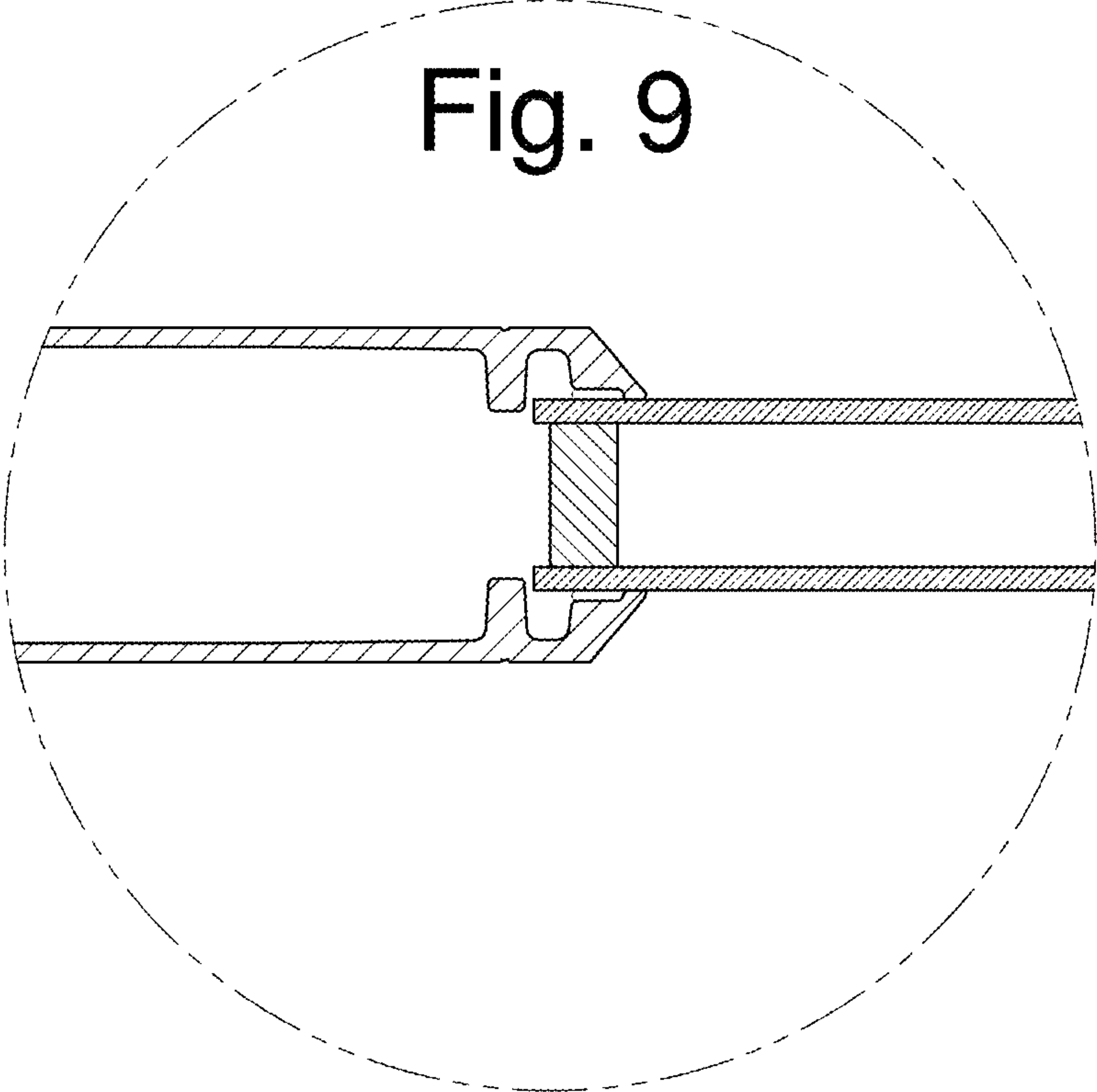


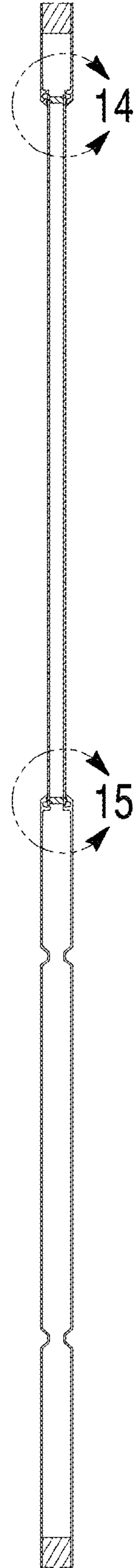
FIG. 11



FIG. 12



FIG. 13



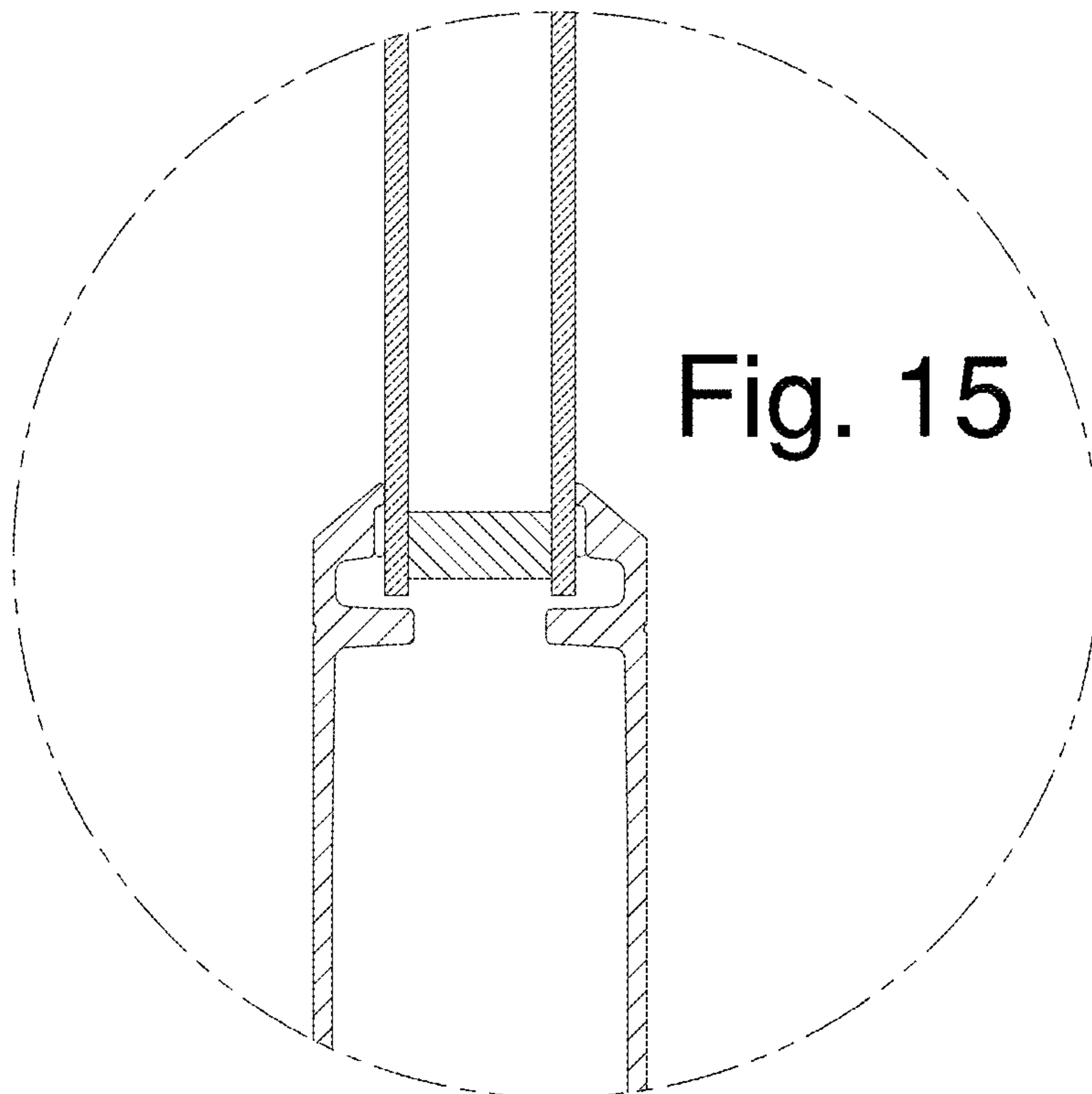
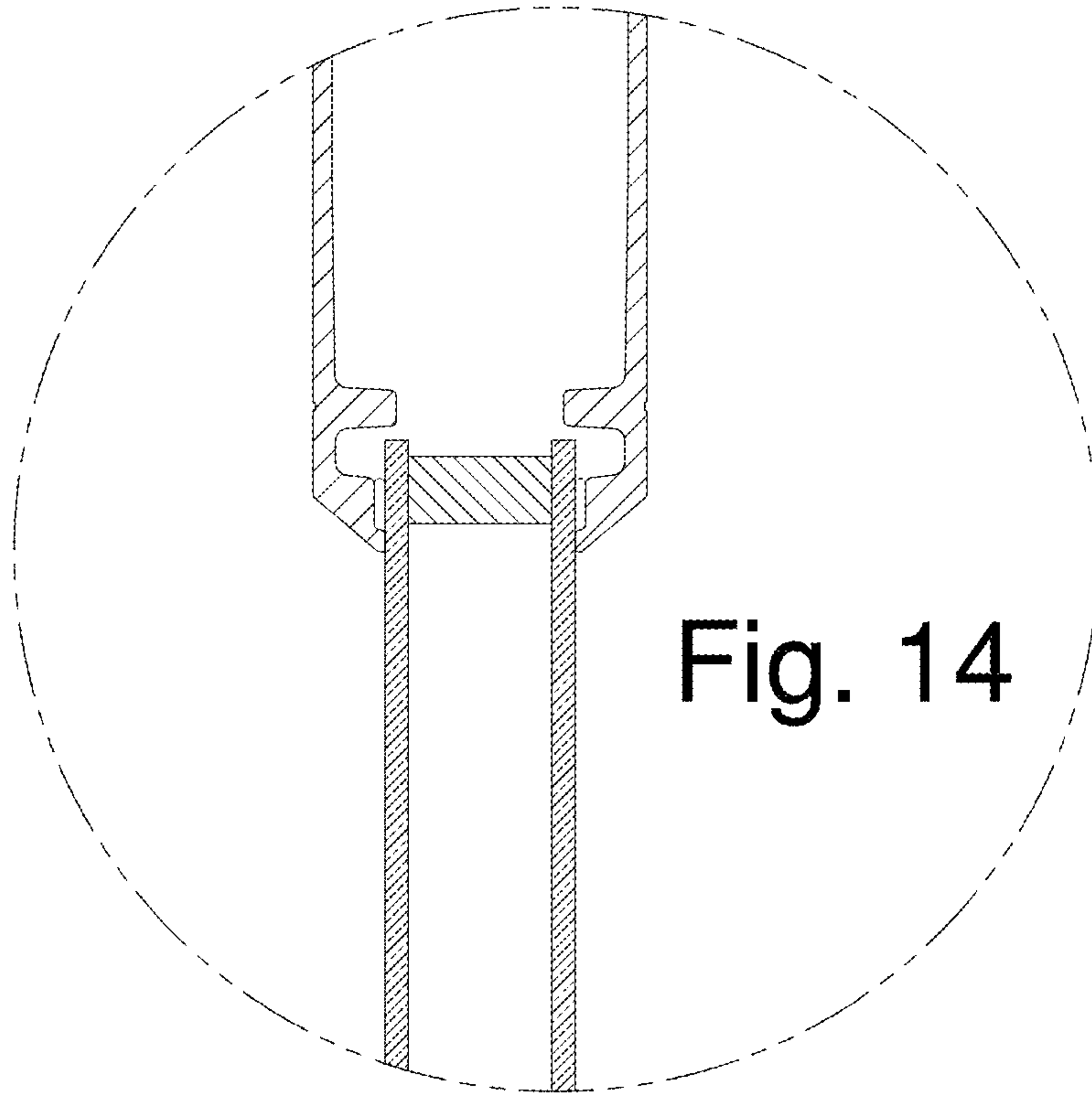


FIG. 16

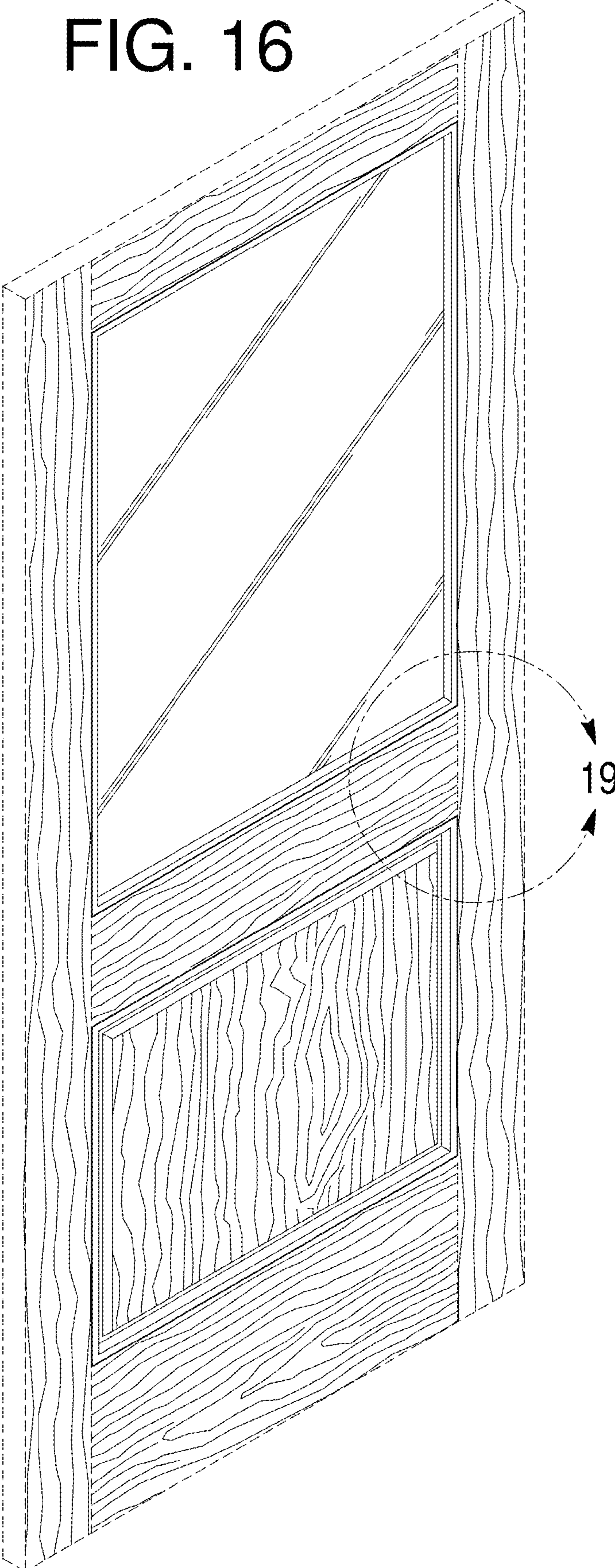


FIG. 17

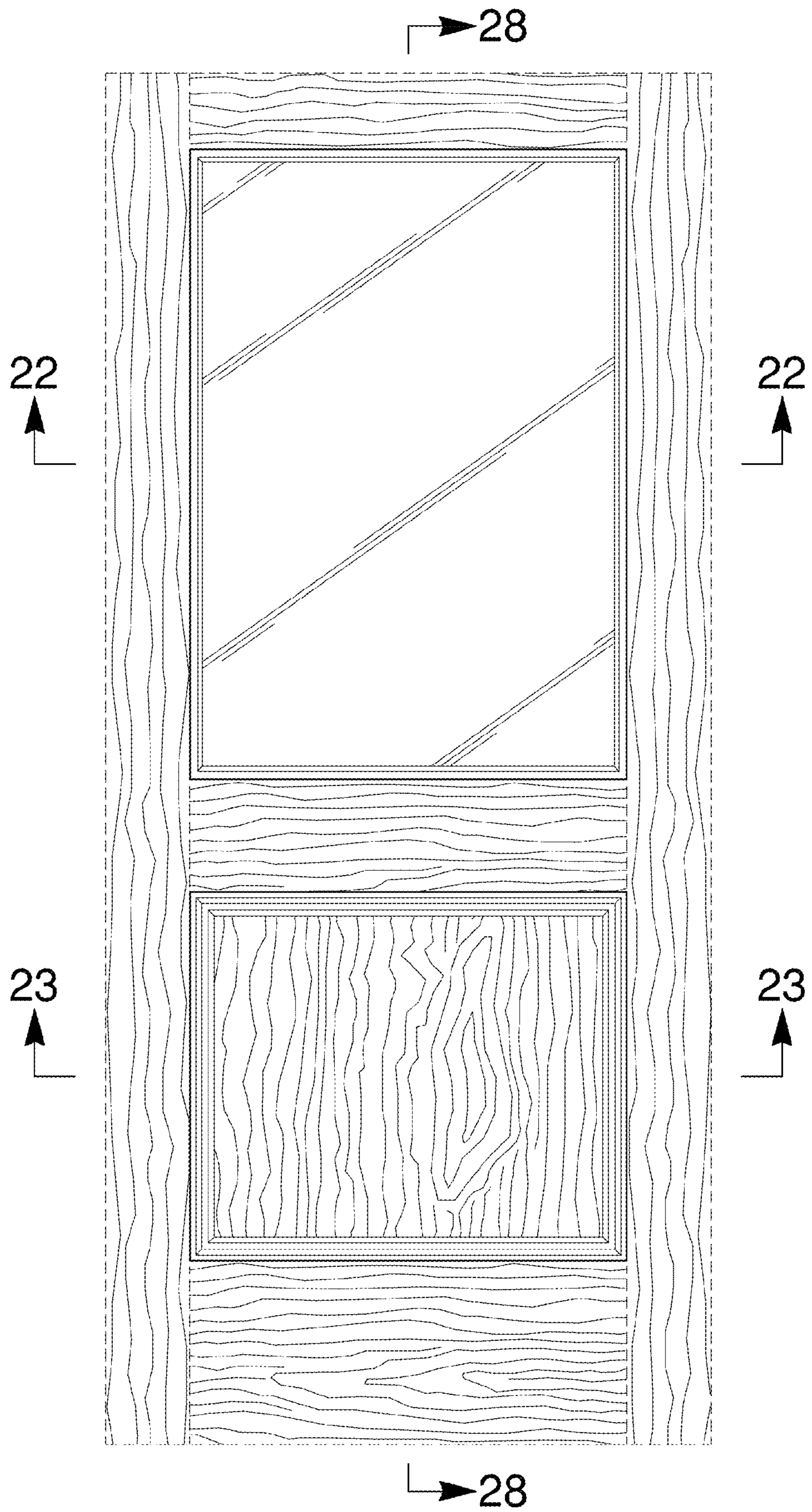


FIG. 18

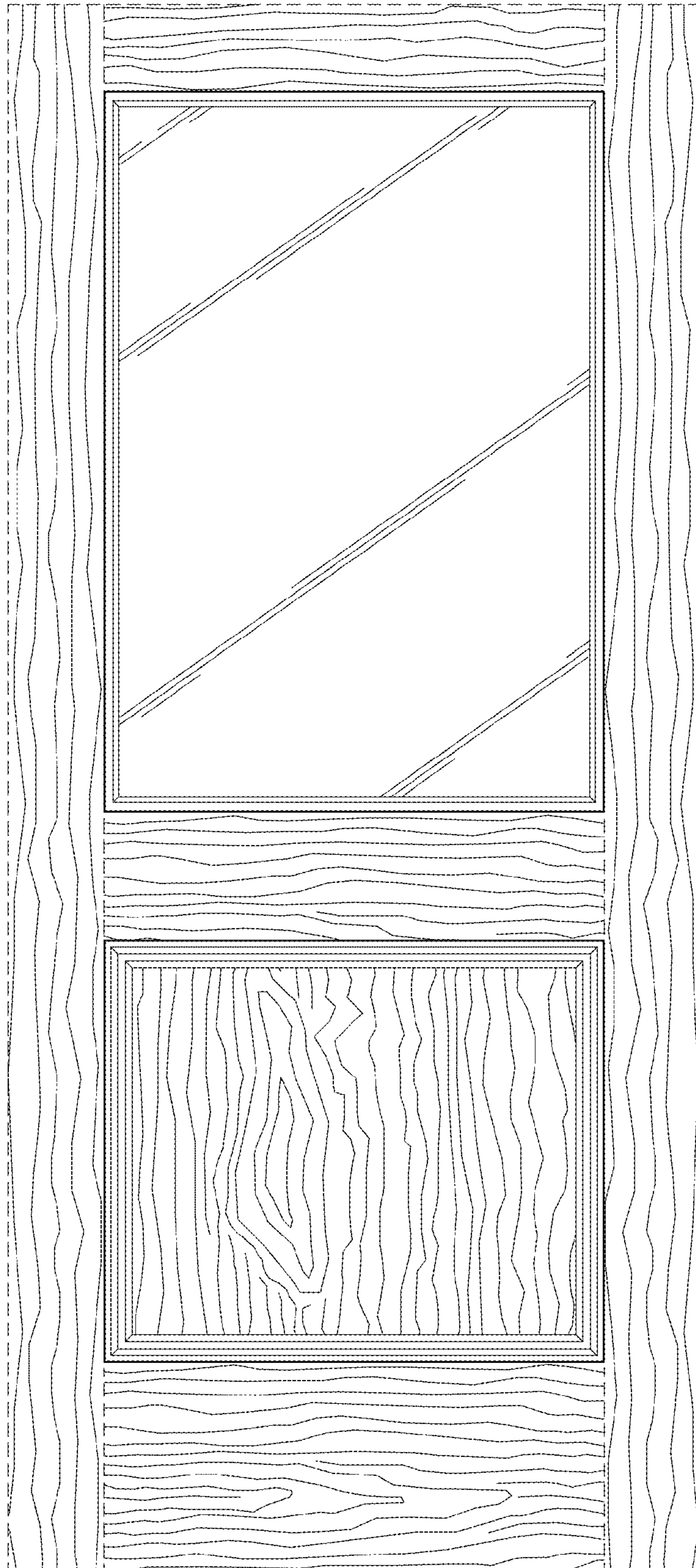


FIG. 19

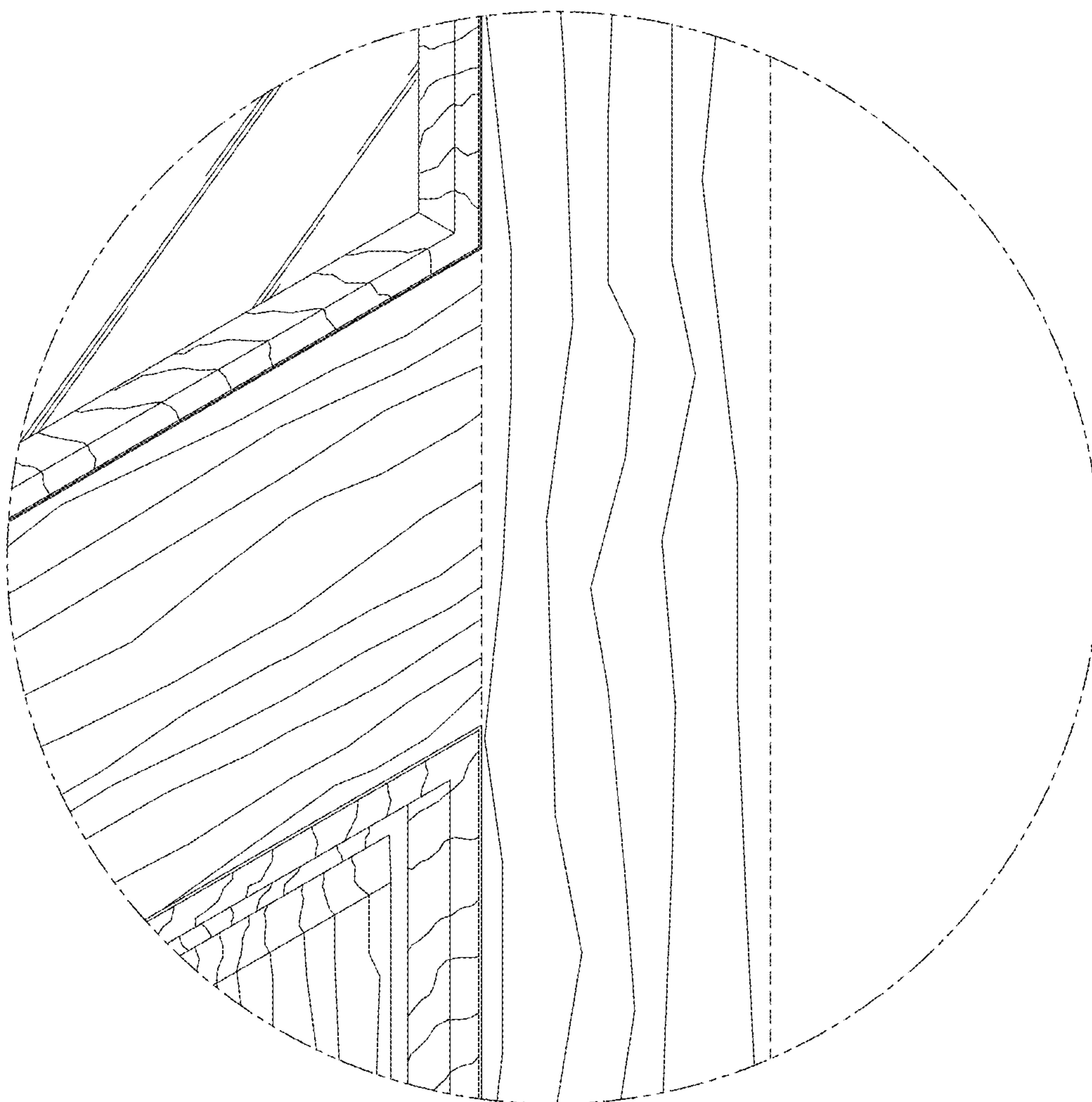


FIG. 20



FIG. 21

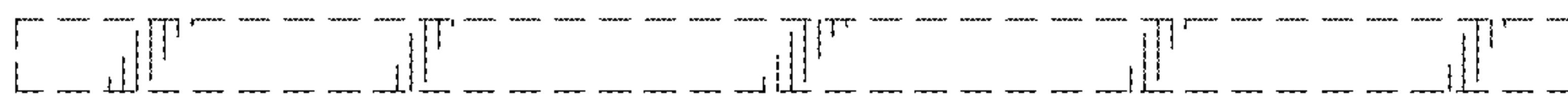


FIG. 22

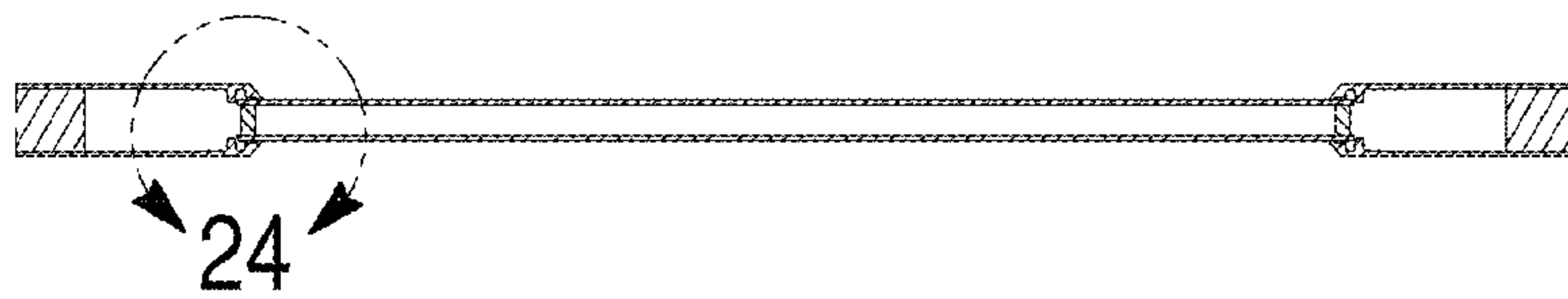


FIG. 23

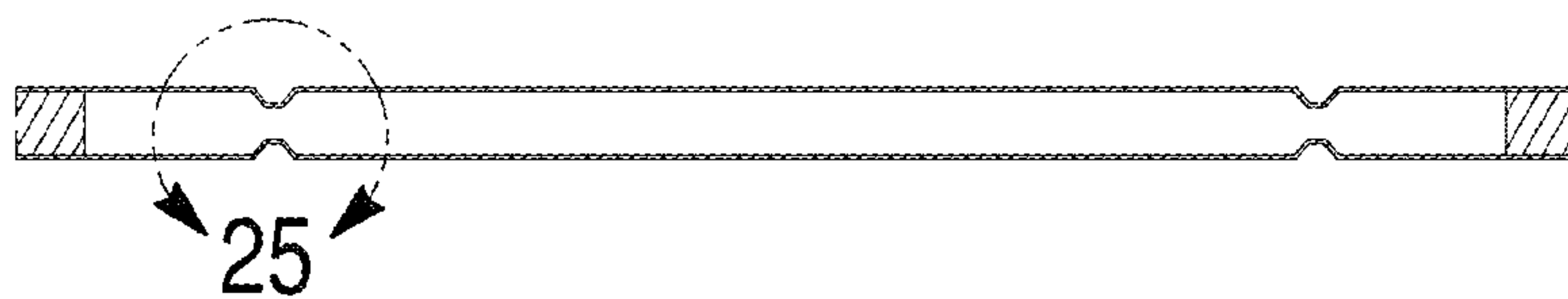


Fig. 24

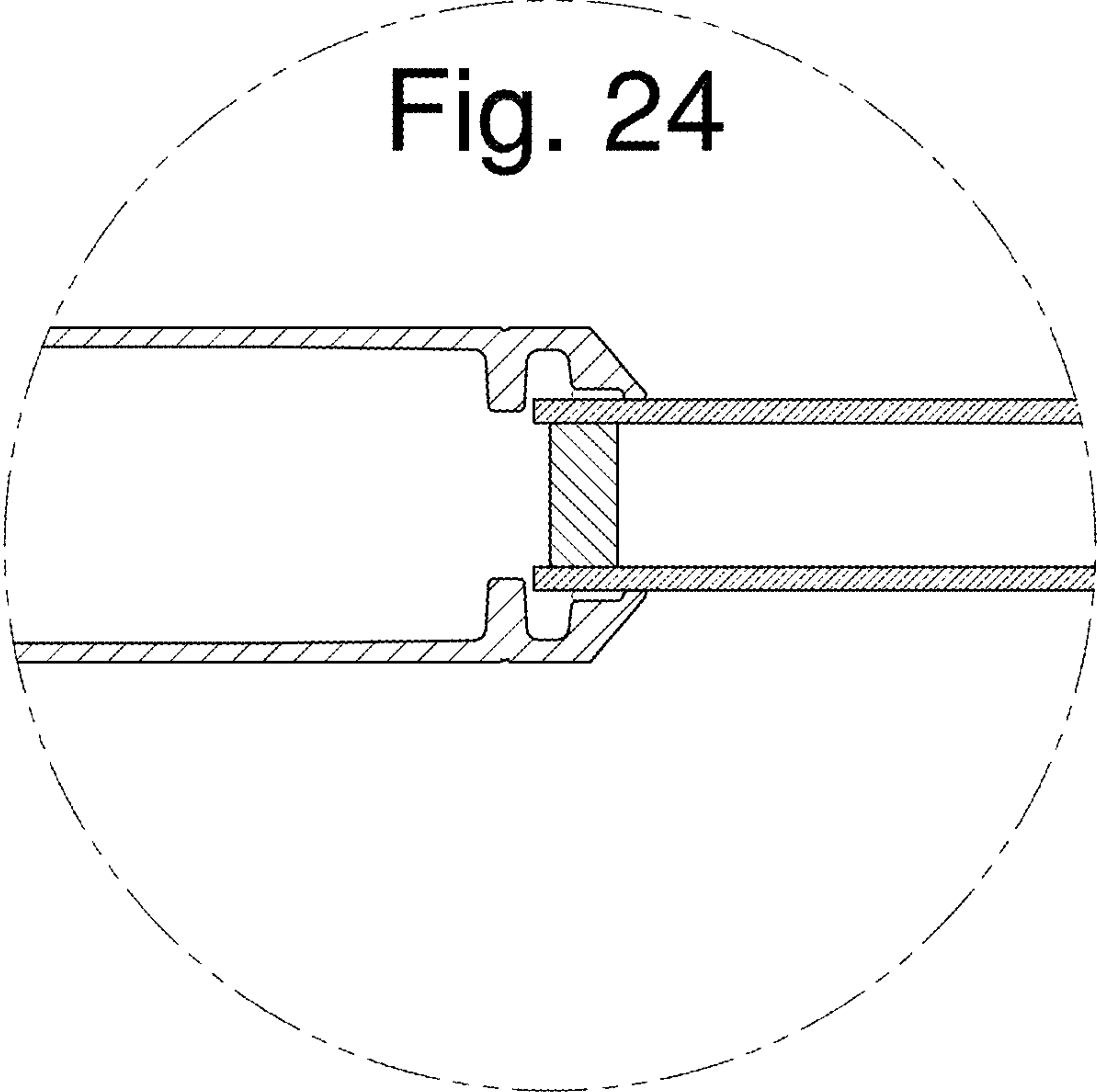


Fig. 25

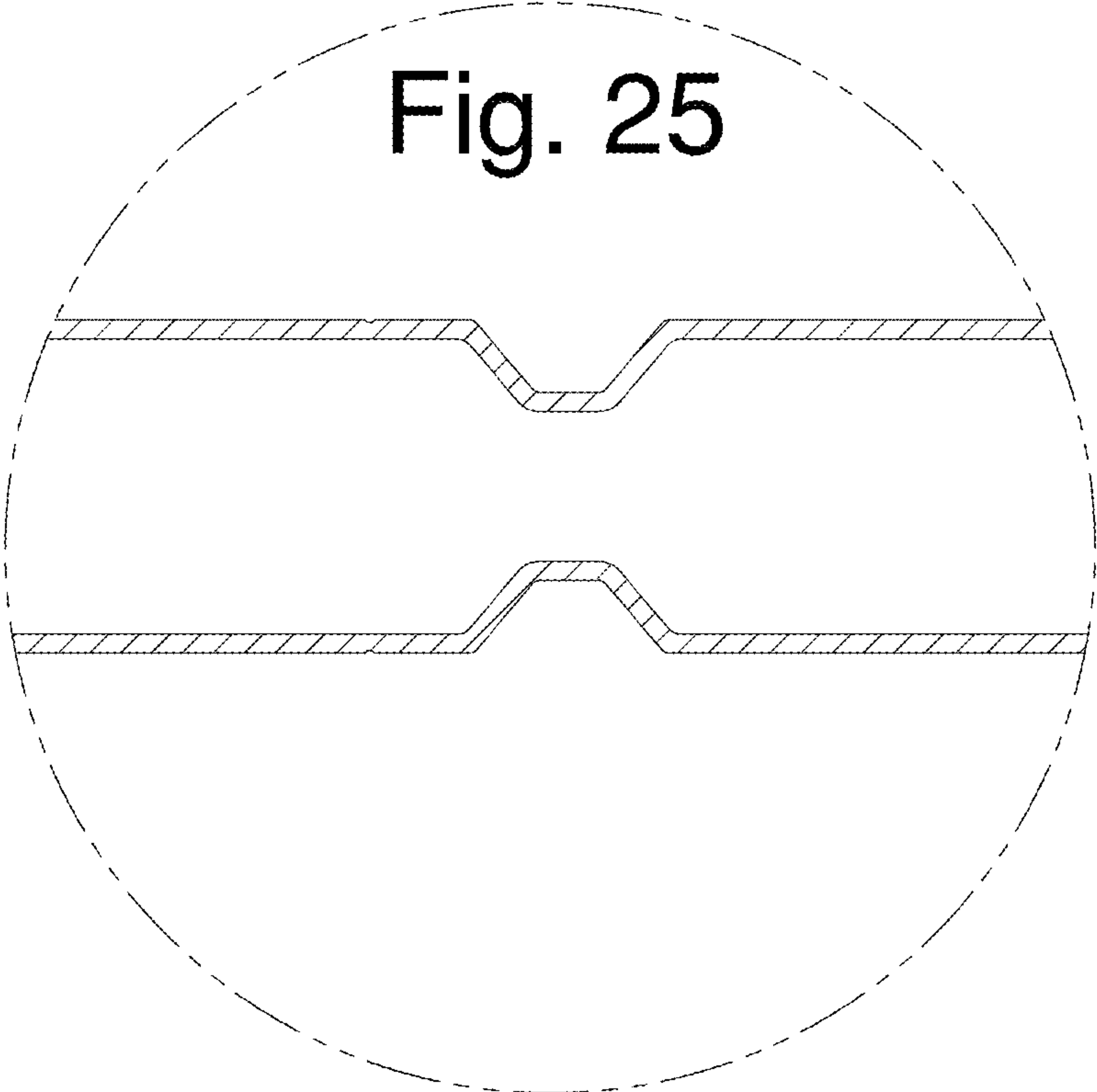


FIG. 26



FIG. 27

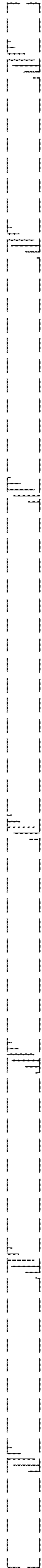


FIG. 28

