



US00D977148S

(12) **United States Design Patent**
Blackett

(10) **Patent No.:** **US D977,148 S**

(45) **Date of Patent:** **** Jan. 31, 2023**

(54) **PANEL KIT**

(71) Applicant: **Roderick Blackett**, Riverview, FL (US)

(72) Inventor: **Roderick Blackett**, Riverview, FL (US)

(**) Term: **15 Years**

(21) Appl. No.: **29/755,051**

(22) Filed: **Oct. 16, 2020**

(51) **LOC (14) Cl.** **25-02**

(52) **U.S. Cl.**

USPC **D25/38.1**

(58) **Field of Classification Search**

USPC D25/38.1, 39, 42-44, 48.1, 48.5, 138,
D25/139, 143, 144, 149, 150, 157-162

CPC E04H 17/00; E04H 17/14; E04H 17/1408;
E04H 17/16; E04H 17/165; E04H 17/166;
E04H 17/168; B41J 3/28

See application file for complete search history.

(56) **References Cited**

U.S. PATENT DOCUMENTS

- 107,159 A * 9/1870 Breed E04H 17/00
49/371
- 342,282 A * 5/1886 Busing E04H 17/16
256/19
- 3,454,262 A * 7/1969 Romano E04H 17/1447
D25/136
- D257,177 S * 9/1980 Demarest D25/38.1
- 5,078,367 A * 1/1992 Simpson E04H 17/16
256/73
- D427,322 S * 6/2000 DeSouza D25/38.1
- 6,123,169 A * 9/2000 Borris G10K 11/16
D25/44
- 6,202,987 B1 * 3/2001 Forbis E04H 17/1417
256/19
- 6,398,193 B1 * 6/2002 DeSouza E04H 17/1447
256/65.06
- D466,614 S * 12/2002 Pettit D25/42
- D510,142 S * 9/2005 Ohanesian D25/38.1
- D621,061 S * 8/2010 Petrucelli D25/38.1

- D673,659 S * 1/2013 Collins, IV D23/283
- D679,414 S * 4/2013 Esposito D25/38.1
- D697,230 S * 1/2014 Esposito D25/38.1

(Continued)

FOREIGN PATENT DOCUMENTS

- CN 305038589 * 2/2019
- EM 000616560-0065 * 12/2006

(Continued)

OTHER PUBLICATIONS

Donald Murphy Fencing <https://web.archive.org/web/20180815070224/https://www.donaldmurphyfencingservices.com/Fences.htm> Available Aug. 15, 2018 (Year: 2018).*

(Continued)

Primary Examiner — Leanne Was-Englehart

(74) *Attorney, Agent, or Firm* — David L. King

(57) **CLAIM**

The ornamental design for a “panel kit”, as shown and described.

DESCRIPTION

FIG. 1 is a front perspective view of a panel kit showing my new, original and ornamental design;

FIG. 2 is a front view;

FIG. 3 is a rear view;

FIG. 4 is a top view;

FIG. 5 is a bottom view;

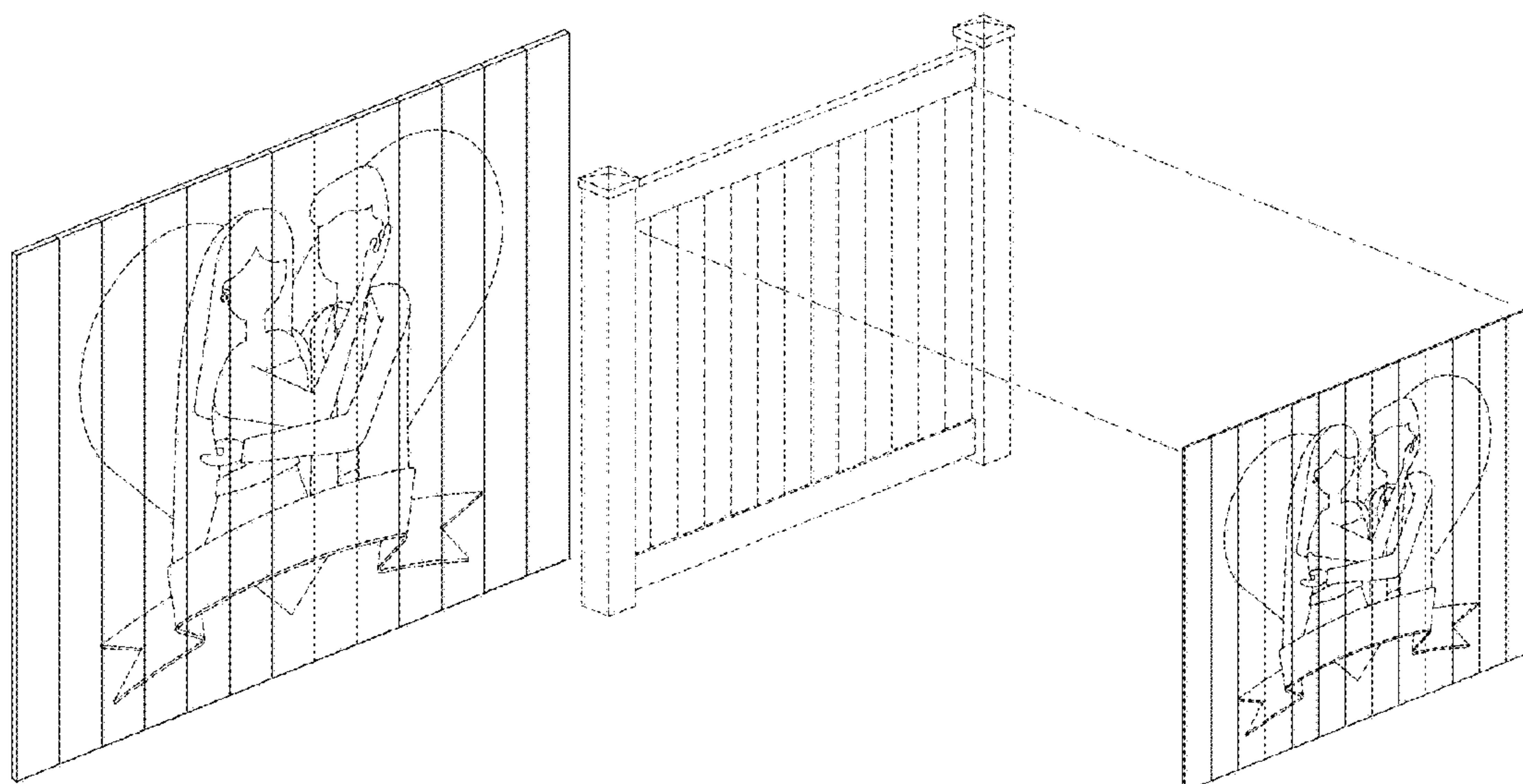
FIG. 6 is a left side view;

FIG. 7 is a right side view;

FIG. 8 is an environmental view before application of the panel kit to an exemplary section of privacy fence shown in broken lines; and,

FIG. 9 is an environmental view after application thereof on a privacy fence, shown in broken line.

1 Claim, 6 Drawing Sheets



(56)

References Cited

U.S. PATENT DOCUMENTS

D698,425 S * 1/2014 Collins, IV D23/283
 D705,403 S * 5/2014 Collins, IV D23/283
 9,512,634 B2 * 12/2016 Forbis E04H 17/143
 D784,558 S * 4/2017 Wu D25/38.1
 9,932,753 B1 * 4/2018 Knudsen E04H 17/16
 10,145,142 B1 * 12/2018 Jansen E04H 17/168
 D907,806 S * 1/2021 Coen D25/42
 2010/0314597 A1 * 12/2010 Rodriguez E04H 17/1447
 29/558
 2017/0247944 A1 * 8/2017 Ramsey E06B 11/022
 2017/0284136 A1 * 10/2017 Ramsey E06B 11/022
 2019/0177997 A1 * 6/2019 Springborn E04H 17/16
 2020/0399925 A1 * 12/2020 Naylor E04H 17/168
 2021/0019454 A1 * 1/2021 Knudsen G06F 30/12
 2021/0381271 A1 * 12/2021 Schneider E04H 17/1488

FOREIGN PATENT DOCUMENTS

EM 000616560-0069 * 12/2006
 EM 000858154-0038 * 2/2008

EM 004706950-0001 * 8/2020
 JP D1329864 * 5/2008
 JP D1660381 * 6/2020

OTHER PUBLICATIONS

Lowes flat top fence <https://www.lowes.com/pd/Actual-3-5-ft-x-8-ft-Western-Red-Cedar-Flat-Top-Wood-Fence-Panel/999972366> Available Sep. 2018 (Year: 2018).*

HomeDepot Shiplap Panel <https://www.homedepot.com/p/7-32-in-x-48-in-x-96-in-White-Nickel-Gap-Shiplap-Panel-WSP5548/308169642#overlay> Available Apr. 2, 2019 Earliest photo review May 27, 2020 (Year: 2019).*

Barrette Catalog <https://images.thdstatic.com/catalog/pdfImages/ff/ffeaac32-3c2c-4aba-82e0-aa3bf0d71adb.pdf> April 2016 (Year: 2016).*

* cited by examiner

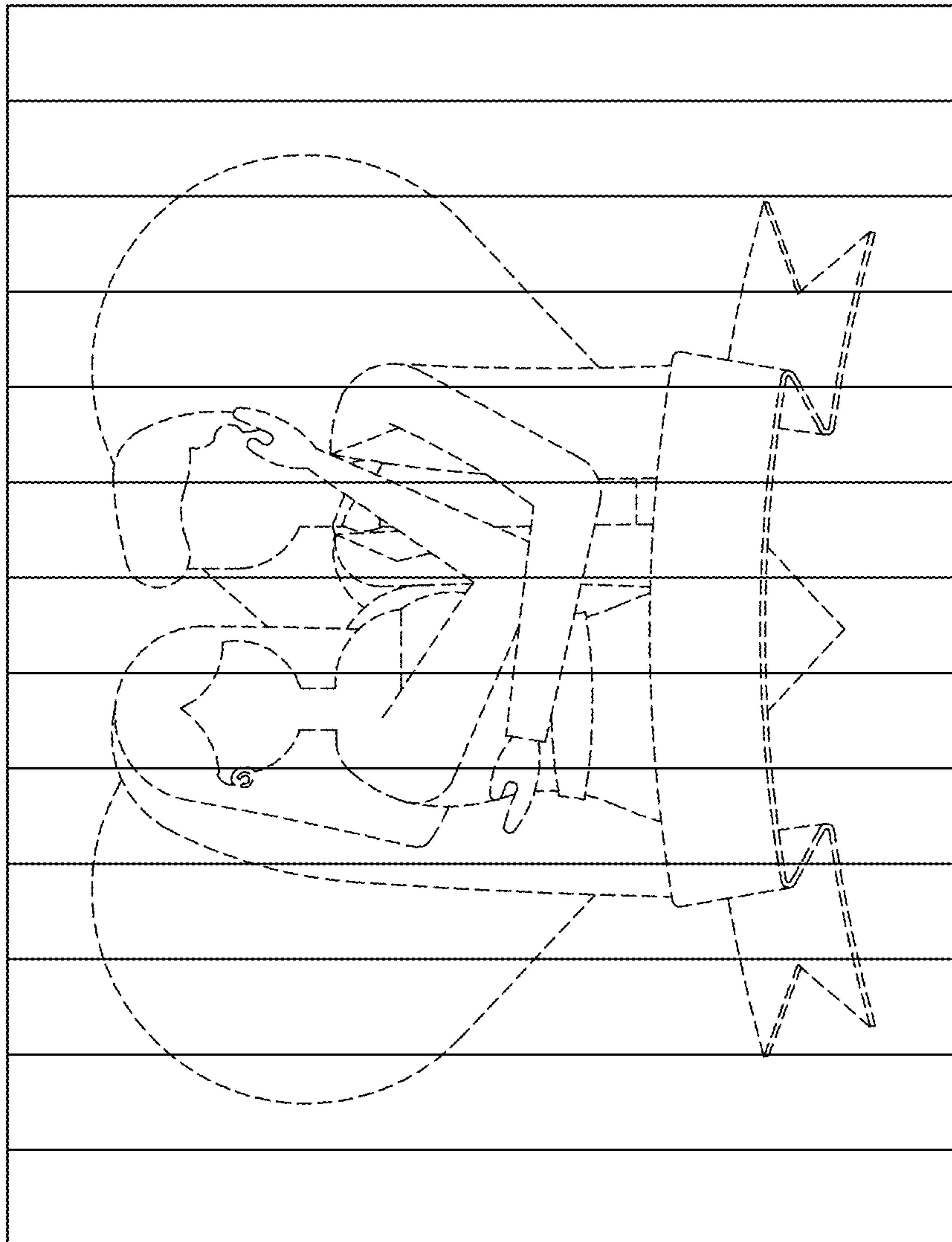


Fig. 2

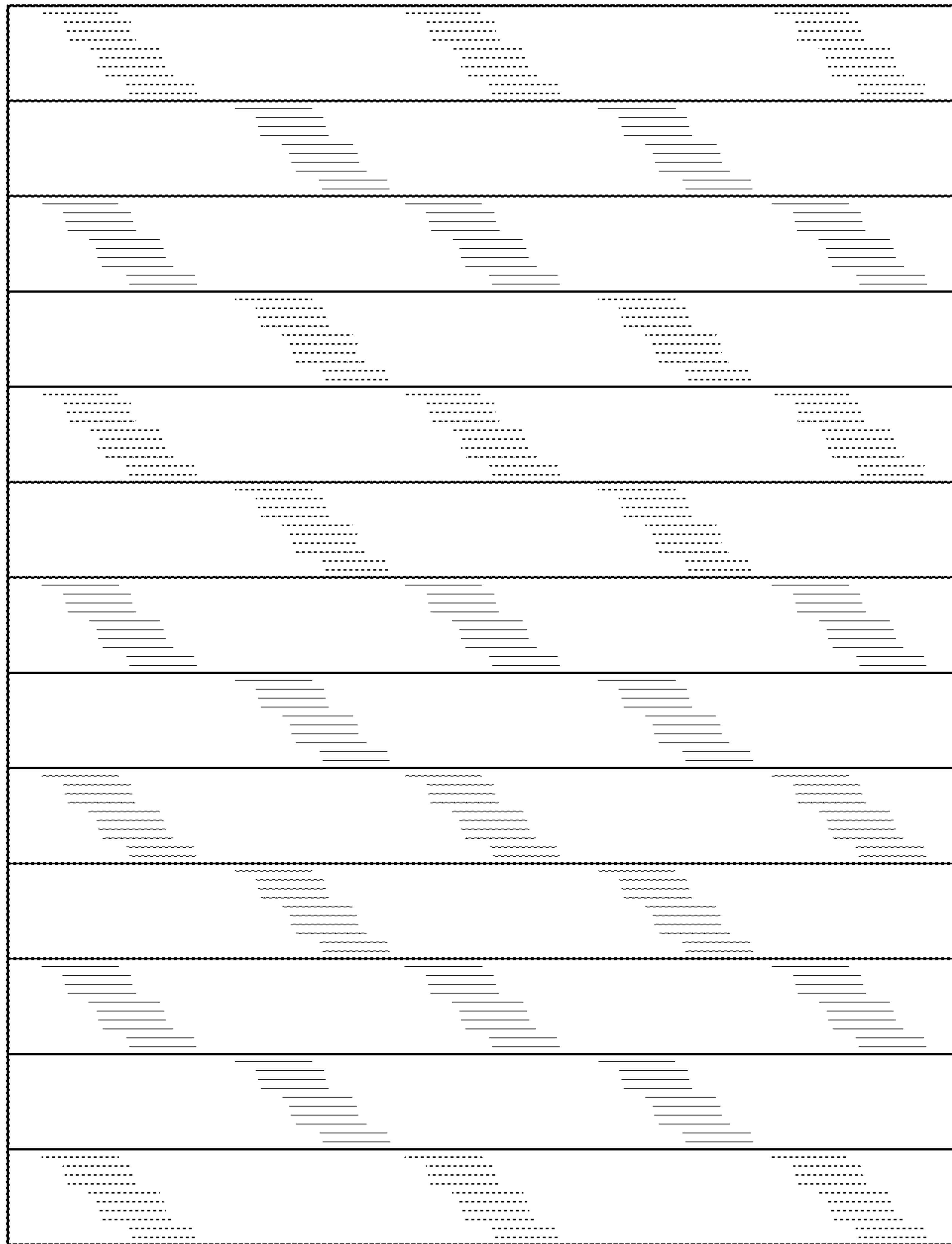


Fig. 3



Fig. 4



Fig. 5

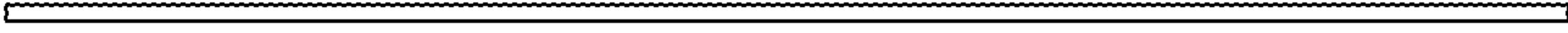


Fig. 7



Fig. 6

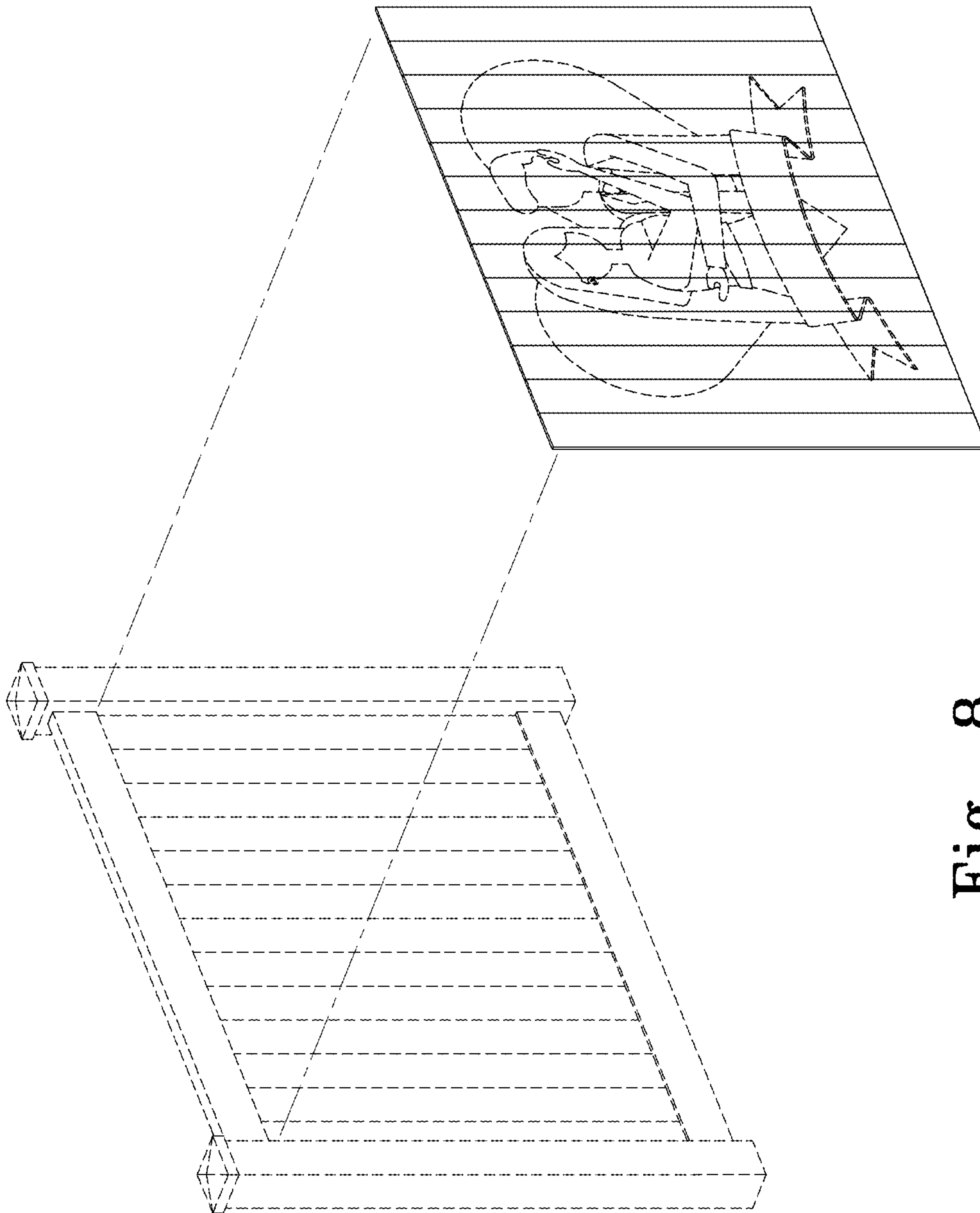


Fig. 8

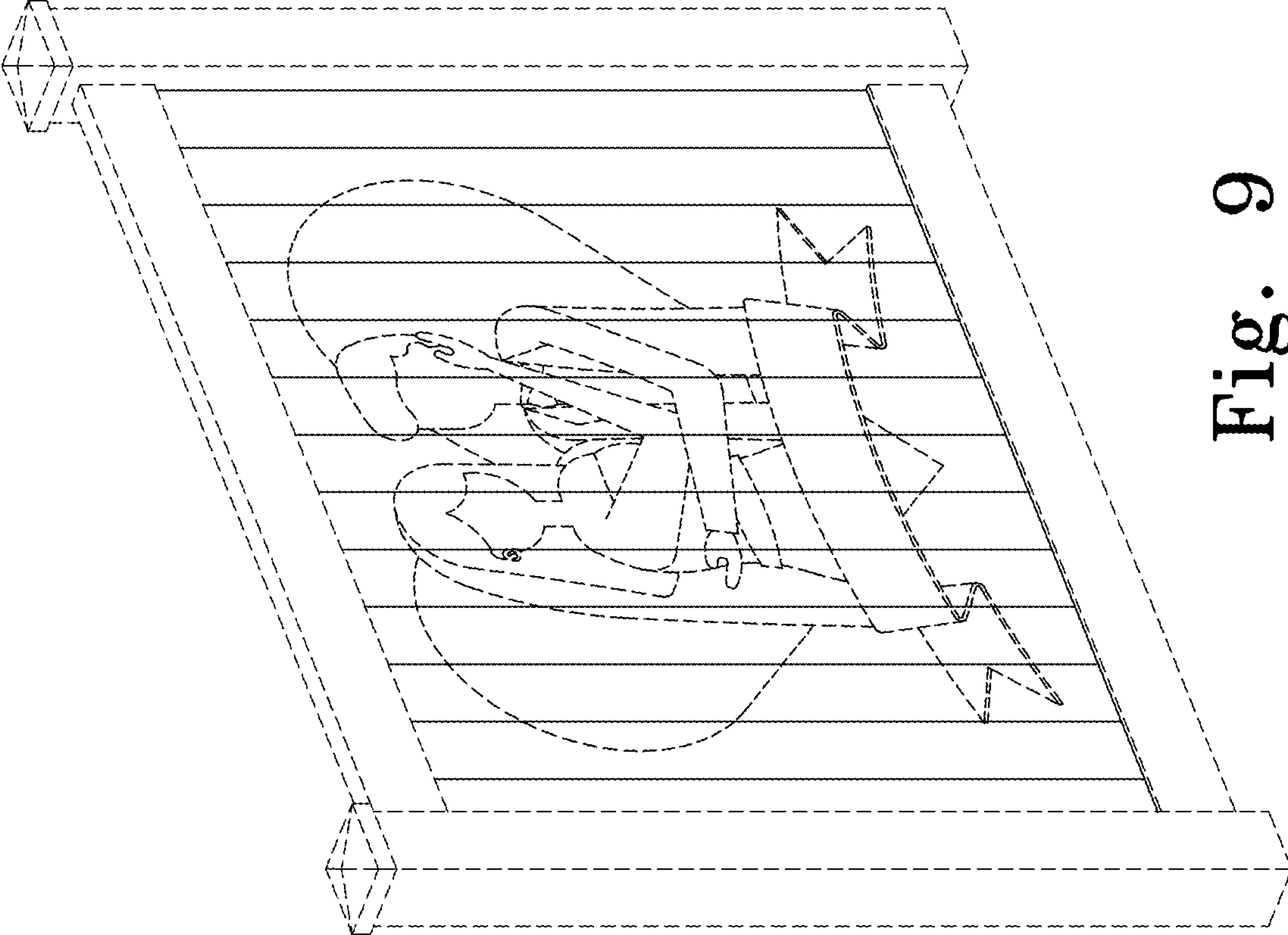


Fig. 9