



US00D977147S

(12) **United States Design Patent**
Lehtinen et al.

(10) **Patent No.:** **US D977,147 S**
(45) **Date of Patent:** **** Jan. 31, 2023**

(54) **PORTABLE OFFICE/MEETING ROOM**

(71) Applicant: **Framery Oy**, Tampere (FI)

(72) Inventors: **Jarno Lehtinen**, Pohjankuru (FI);
Joonas Vartola, Helsinki (FI); **Olli Laaksonen**, Turku (FI); **Lasse Karvinen**, Tampere (FI); **Samu Hällfors**, Pirkkala (FI); **Ville Puolimatka**, Siivikkala (FI); **Henrik Ashorn**, Pirkkala (FI)

(73) Assignee: **Framery Oy**, Tampere (FI)

(**) Term: **15 Years**

(21) Appl. No.: **29/826,743**

(22) Filed: **Feb. 15, 2022**

Related U.S. Application Data

(62) Division of application No. 29/754,766, filed on Oct. 14, 2020.

(51) **LOC (14) Cl.** **25-03**

(52) **U.S. Cl.**
USPC **D25/16**

(58) **Field of Classification Search**
USPC D25/1-35; D6/332, 337, 640-644
CPC E04H 1/14; E04H 1/125
See application file for complete search history.

(56) **References Cited**

U.S. PATENT DOCUMENTS

D844,810 S *	4/2019	Hällfors	D25/16
D844,817 S *	4/2019	Zhu	D25/16
D844,818 S *	4/2019	Zhu	D25/16
D872,302 S *	1/2020	Tibi	D25/16
D886,324 S *	6/2020	Haveri	D25/16
D895,148 S *	9/2020	Wallinmaa	D25/16
D907,798 S *	1/2021	Zhu	D25/16

(Continued)

Primary Examiner — Brett Miller

Assistant Examiner — Jasmine L. Comedy

(74) *Attorney, Agent, or Firm* — Thomas|Horstemeyer, LLP

(57) **CLAIM**

The ornamental design for a portable office/meeting room, as shown and described.

DESCRIPTION

FIG. 1 is a perspective view of a portable office/meeting room, showing our new design;

FIG. 2 is another perspective view thereof, from a different angle than FIG. 1;

FIG. 3 is a front view thereof;

FIG. 4 is a back view thereof;

FIG. 5 is a right side view thereof;

FIG. 6 is a bottom view thereof;

FIG. 7 is an enlarged top view of the corner of inset 7 of FIG. 1;

FIG. 8 is a top view thereof;

FIG. 9 is a left side view thereof;

FIG. 10 is an enlarged view of a bottom corner of inset 10 of FIG. 1;

FIG. 11 is a perspective view of a second embodiment of the portable office/meeting room of FIG. 1, showing our new design;

FIG. 12 is another perspective view thereof, from a different angle than FIG. 11;

FIG. 13 is a front view thereof;

FIG. 14 is a back view thereof;

FIG. 15 is a right side view thereof;

FIG. 16 is a bottom view thereof;

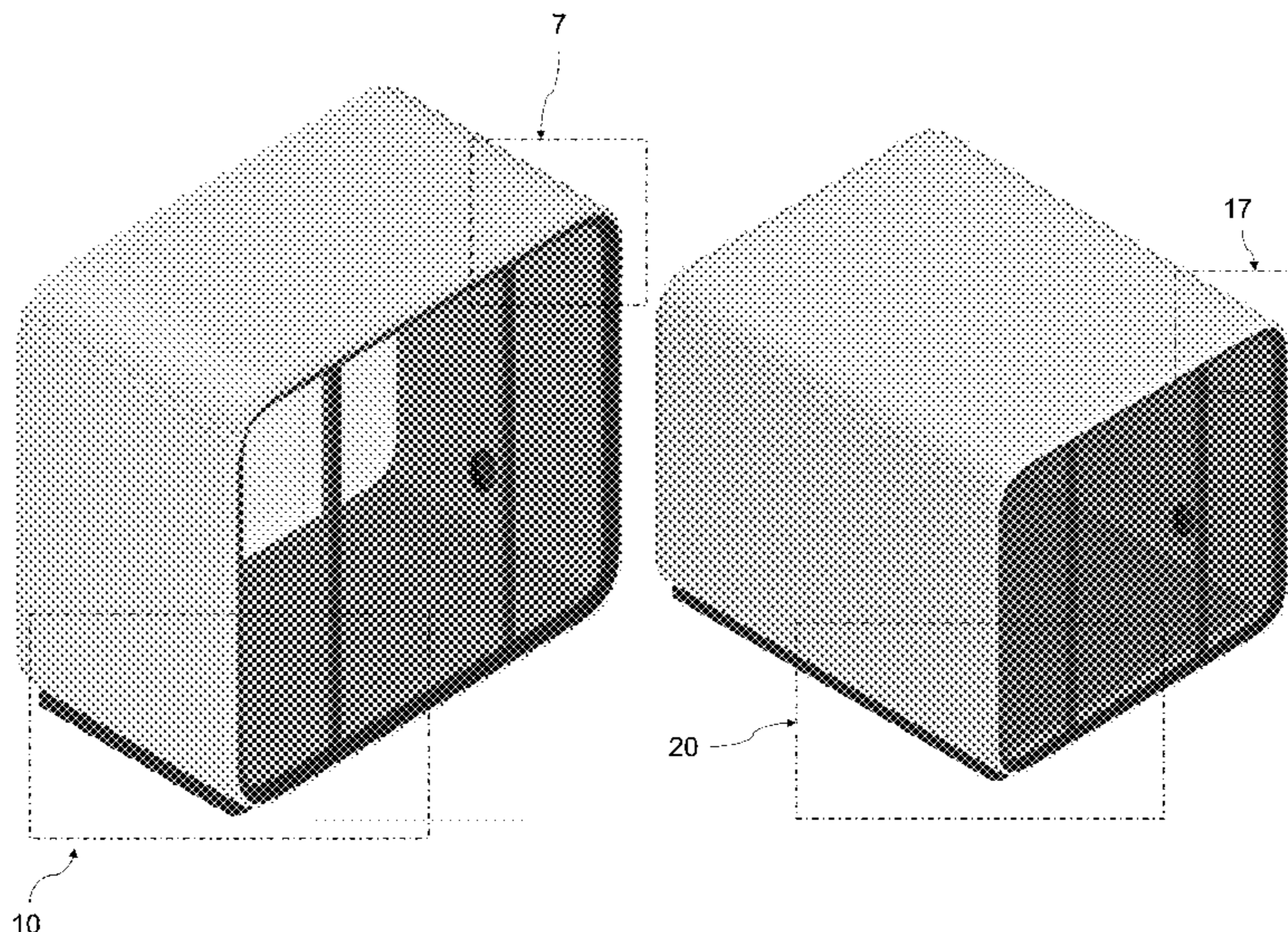
FIG. 17 is an enlarged top view of the corner of inset 17 of FIG. 11;

FIG. 18 is a top view thereof;

FIG. 19 is a left side view thereof; and,

FIG. 20 is an enlarged view of a bottom corner of inset 20 of FIG. 11.

1 Claim, 20 Drawing Sheets



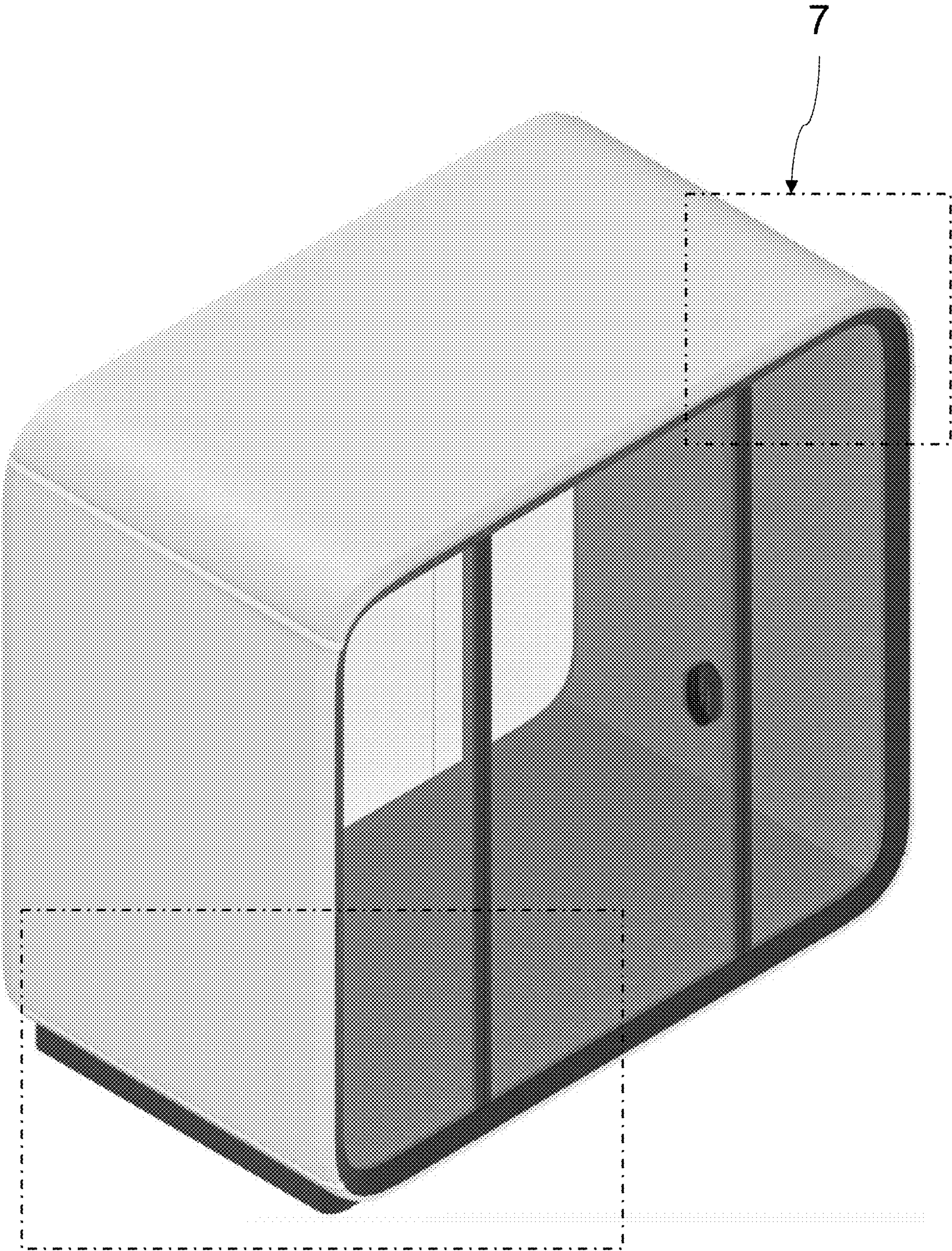
(56)

References Cited

U.S. PATENT DOCUMENTS

D910,206 S * 2/2021 Nakata D25/16
D911,552 S * 2/2021 Kitada D25/16
10,907,370 B1 * 2/2021 Waskey E04B 1/82
D912,844 S * 3/2021 Pucci D25/16
D921,926 S * 6/2021 Ko D25/16
D933,852 S * 10/2021 Zhu D25/16
2020/0018060 A1 * 1/2020 Watanabe E04H 1/1205
2020/0128959 A1 * 4/2020 Agrawal G07C 9/27

* cited by examiner



10

FIG. 1

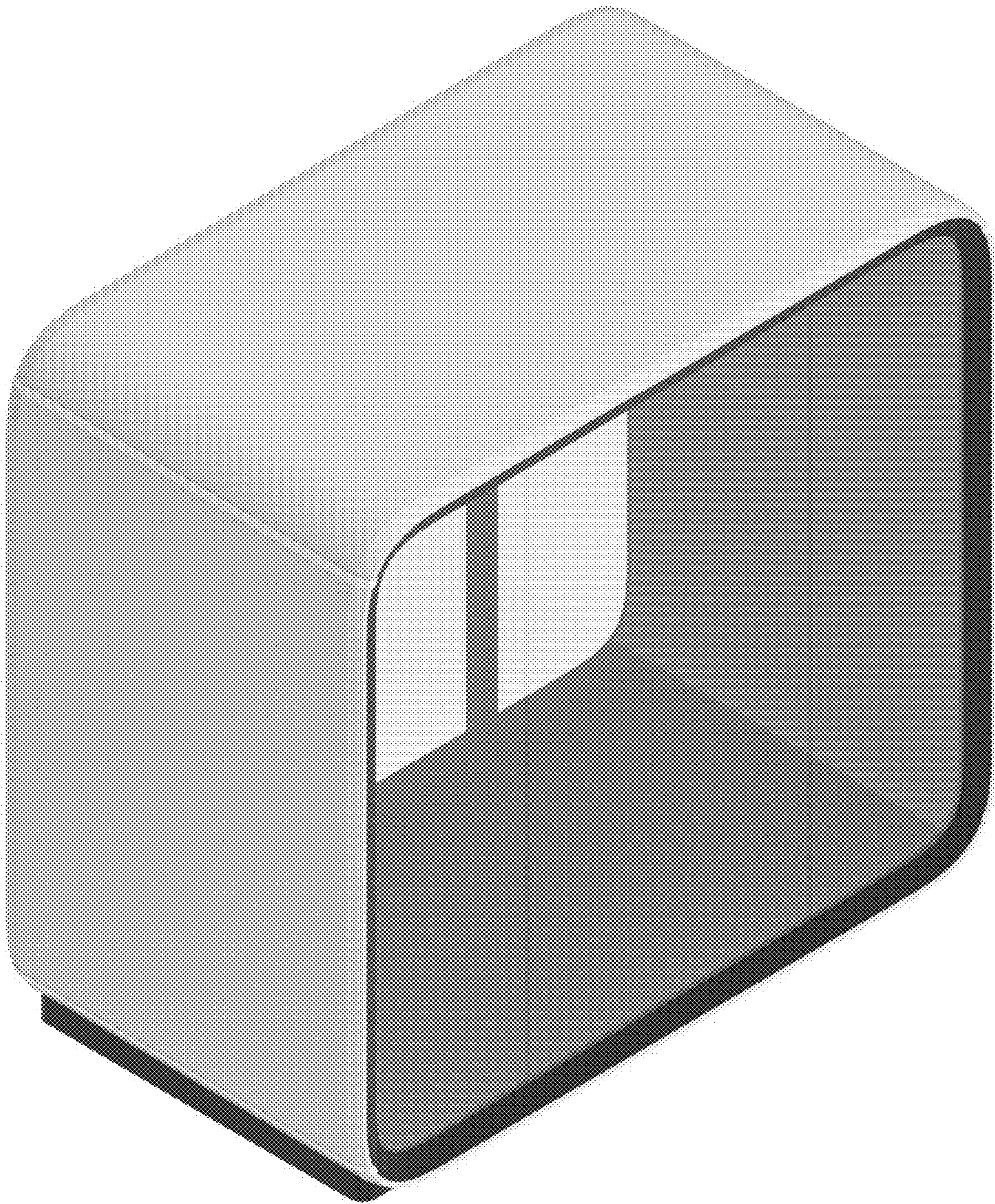


FIG. 2

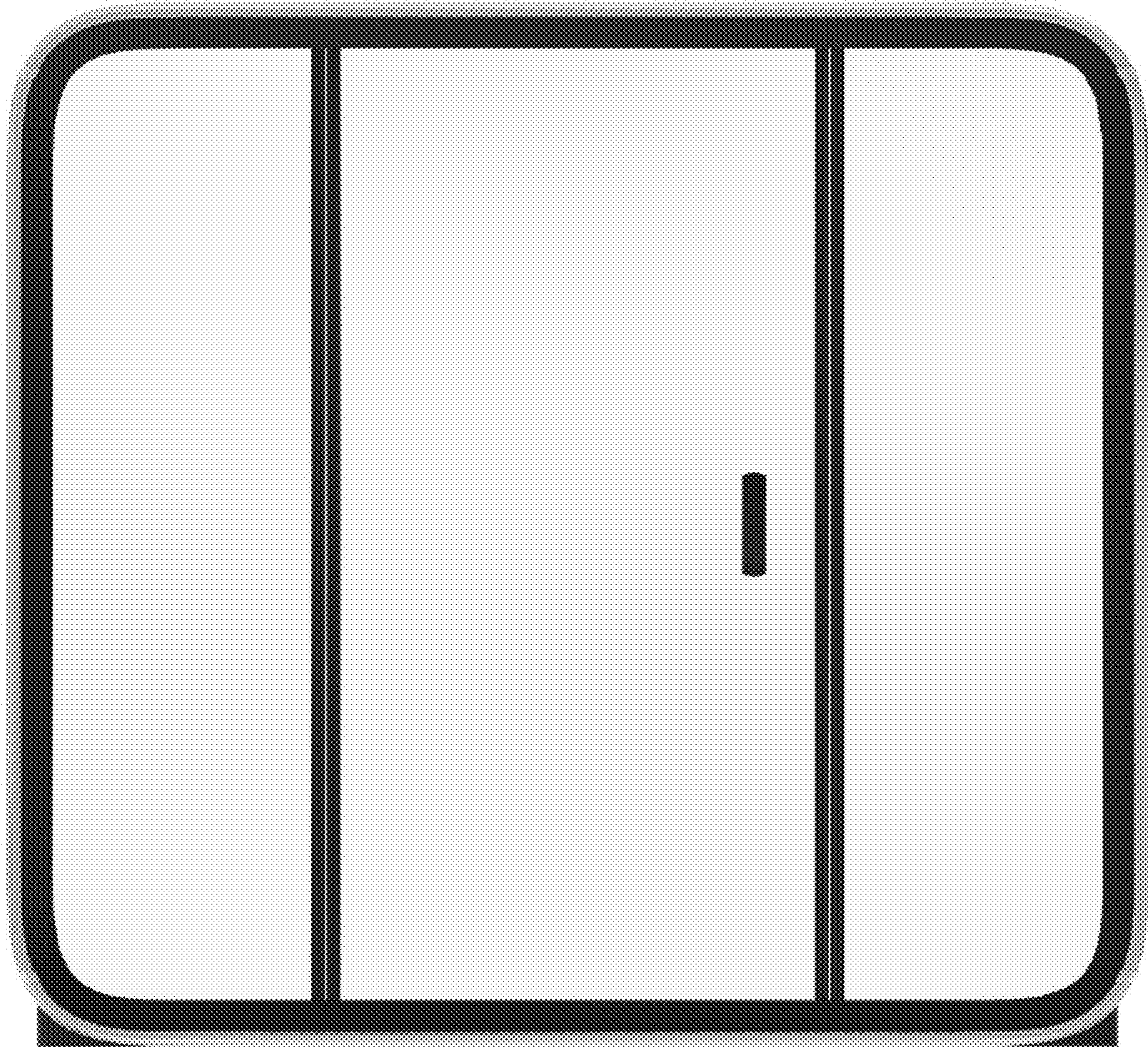


FIG. 3

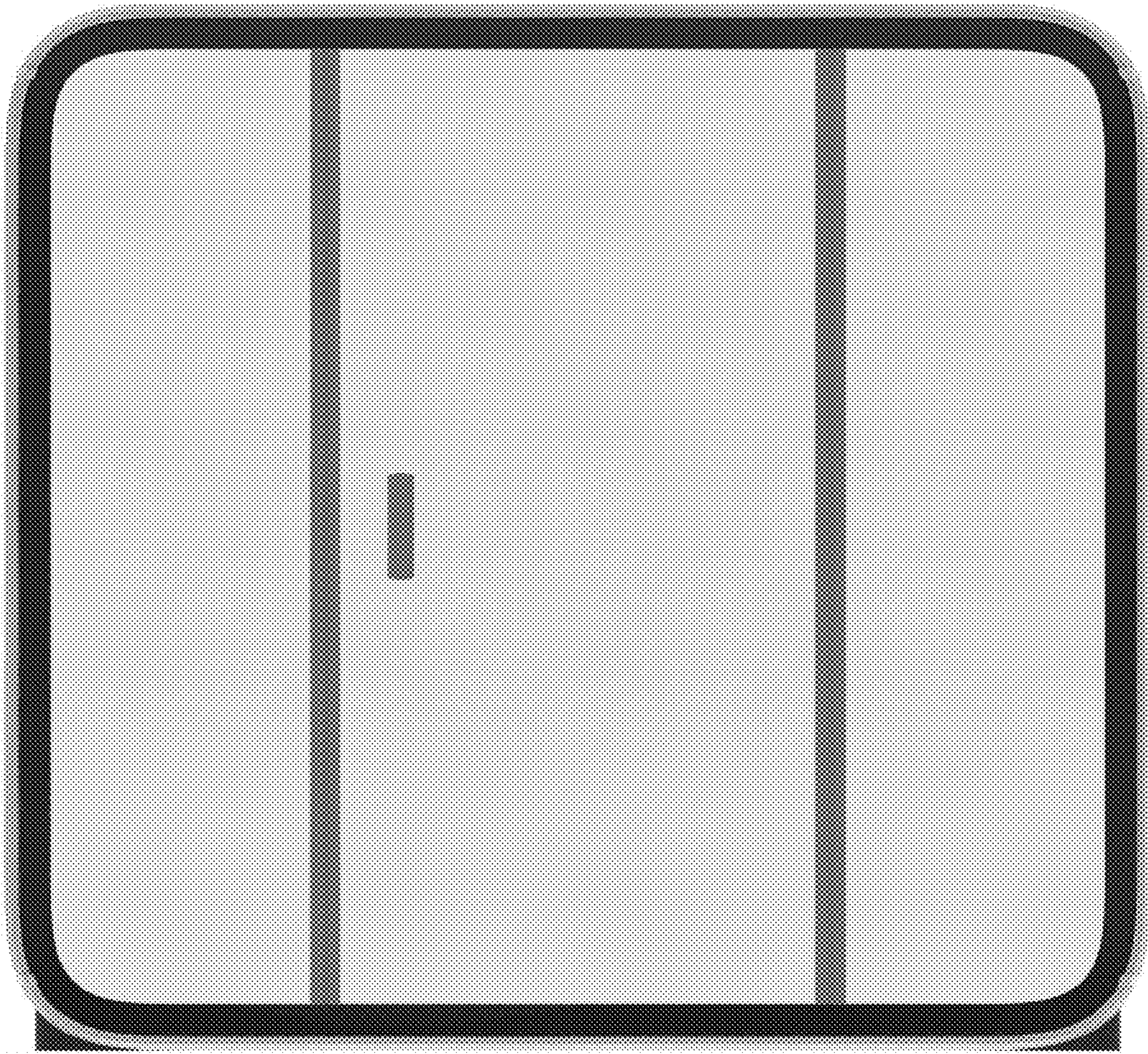


FIG. 4

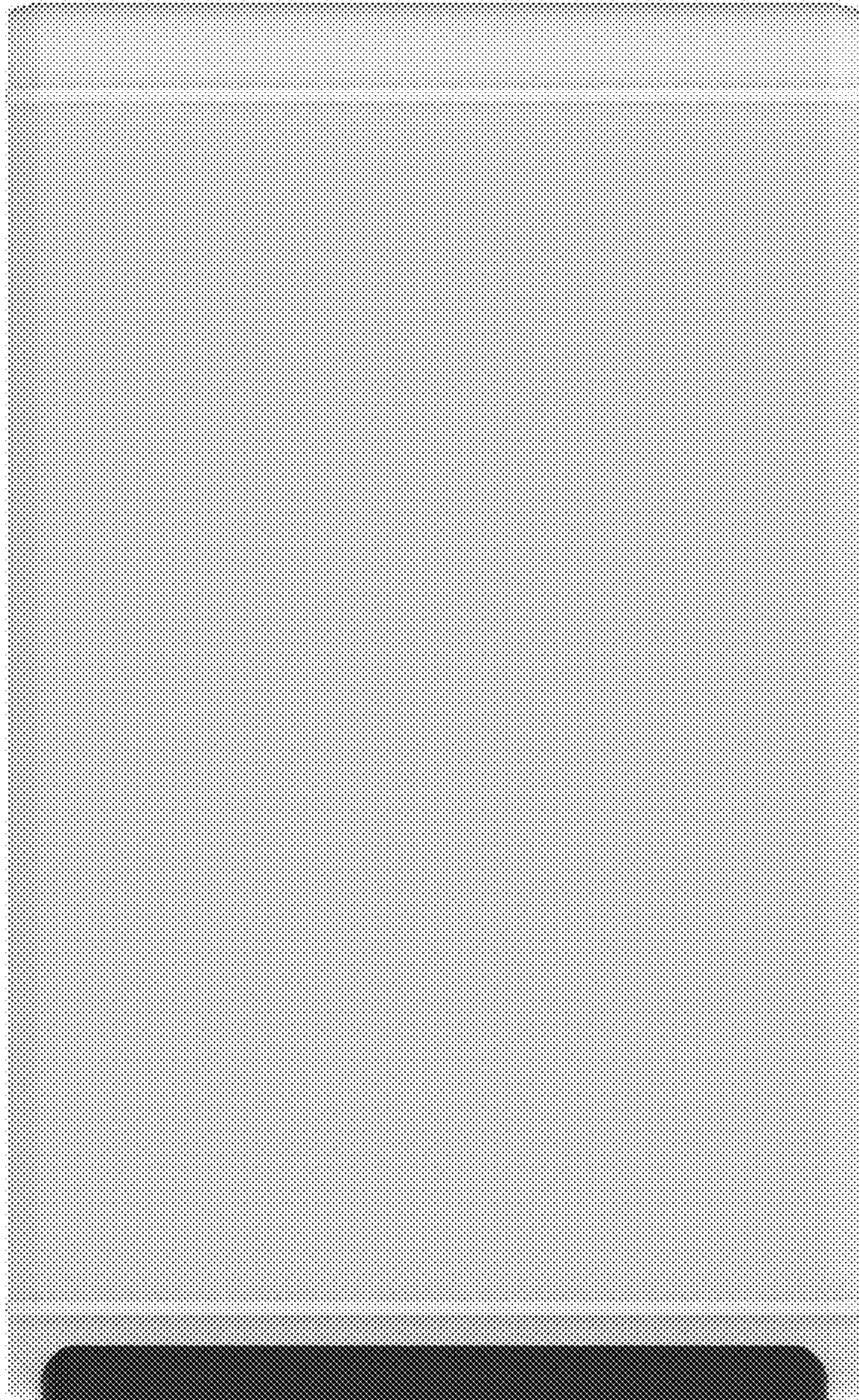


FIG. 5

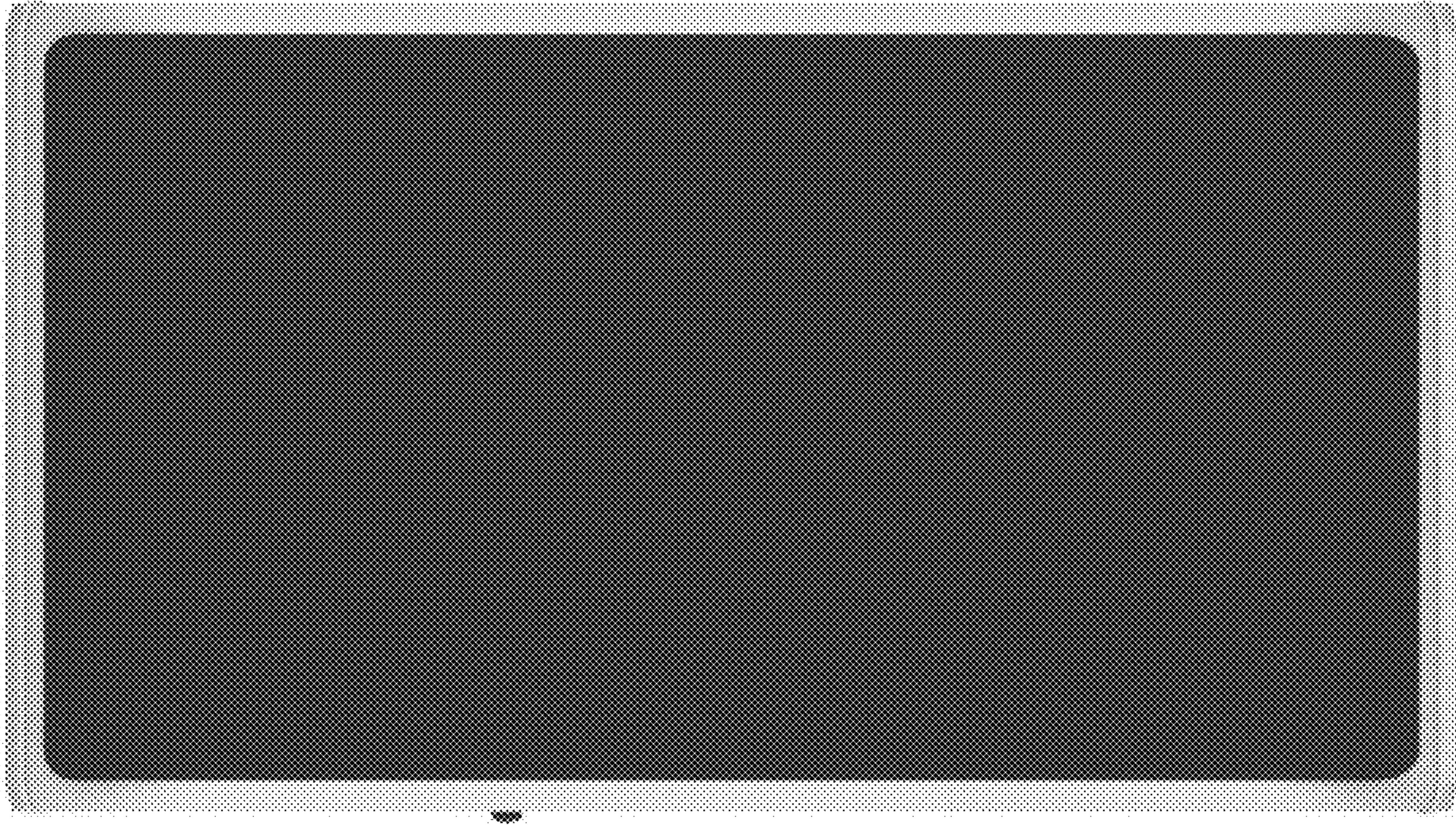


FIG. 6



FIG. 7

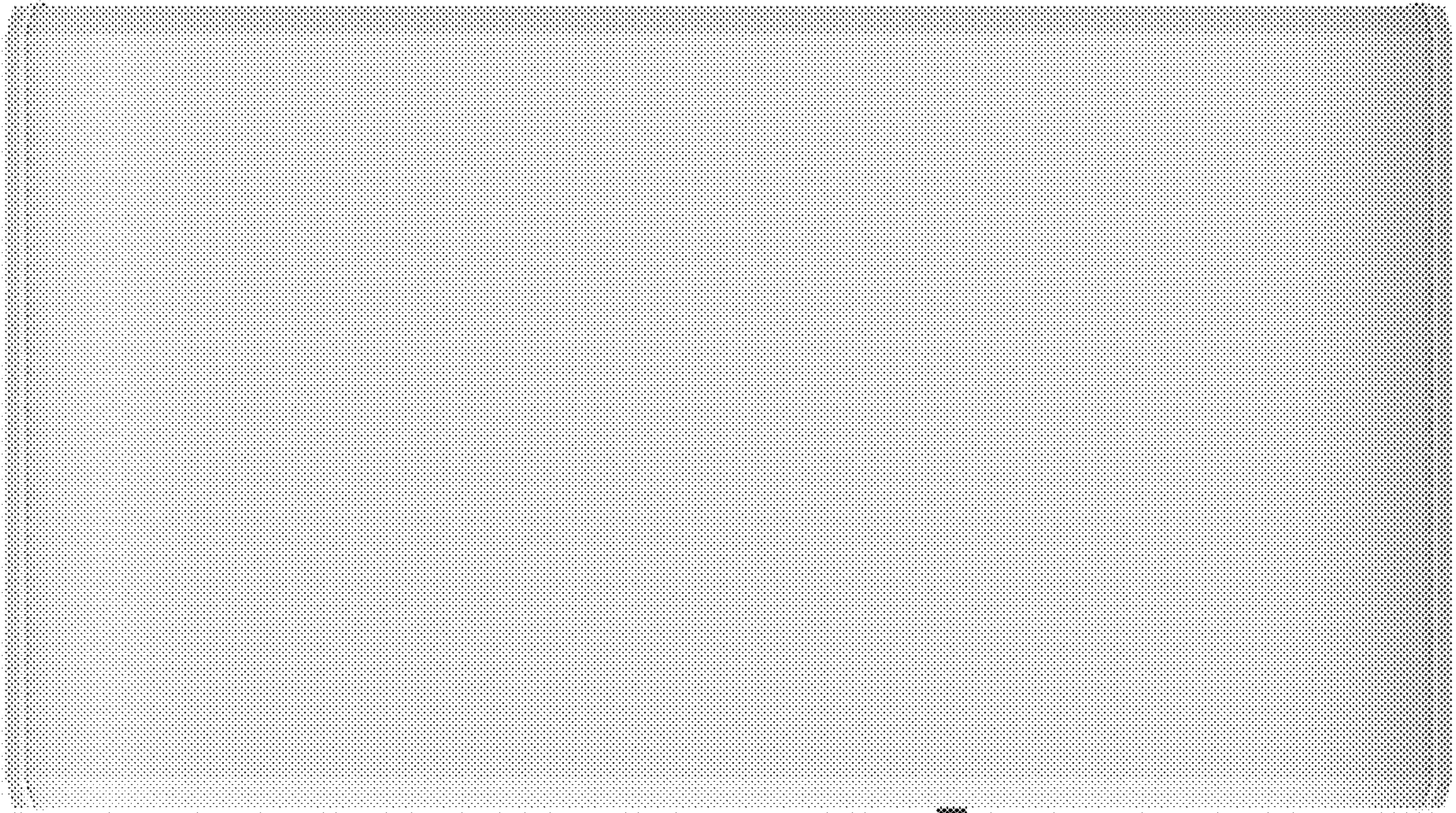


FIG. 8

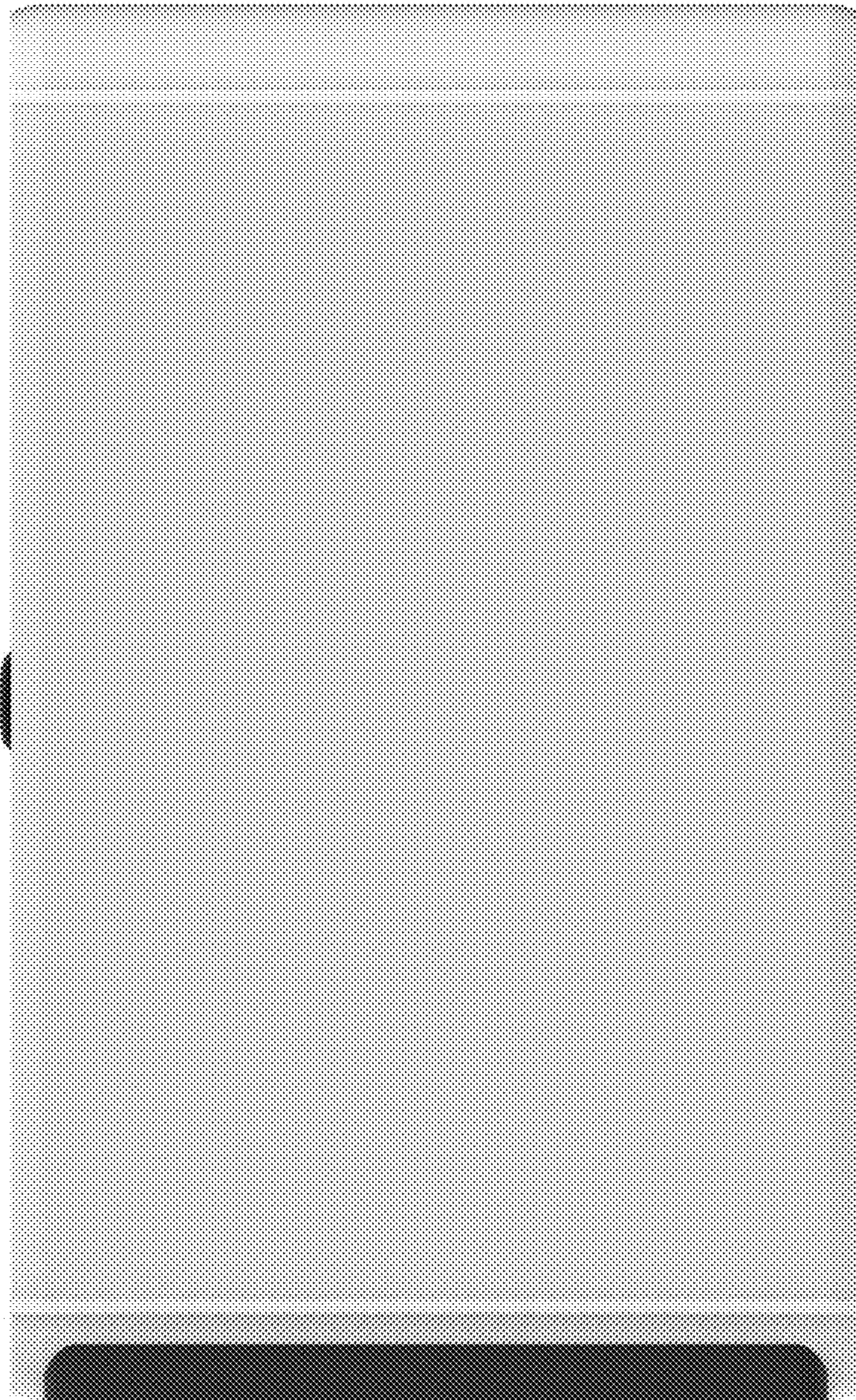


FIG. 9

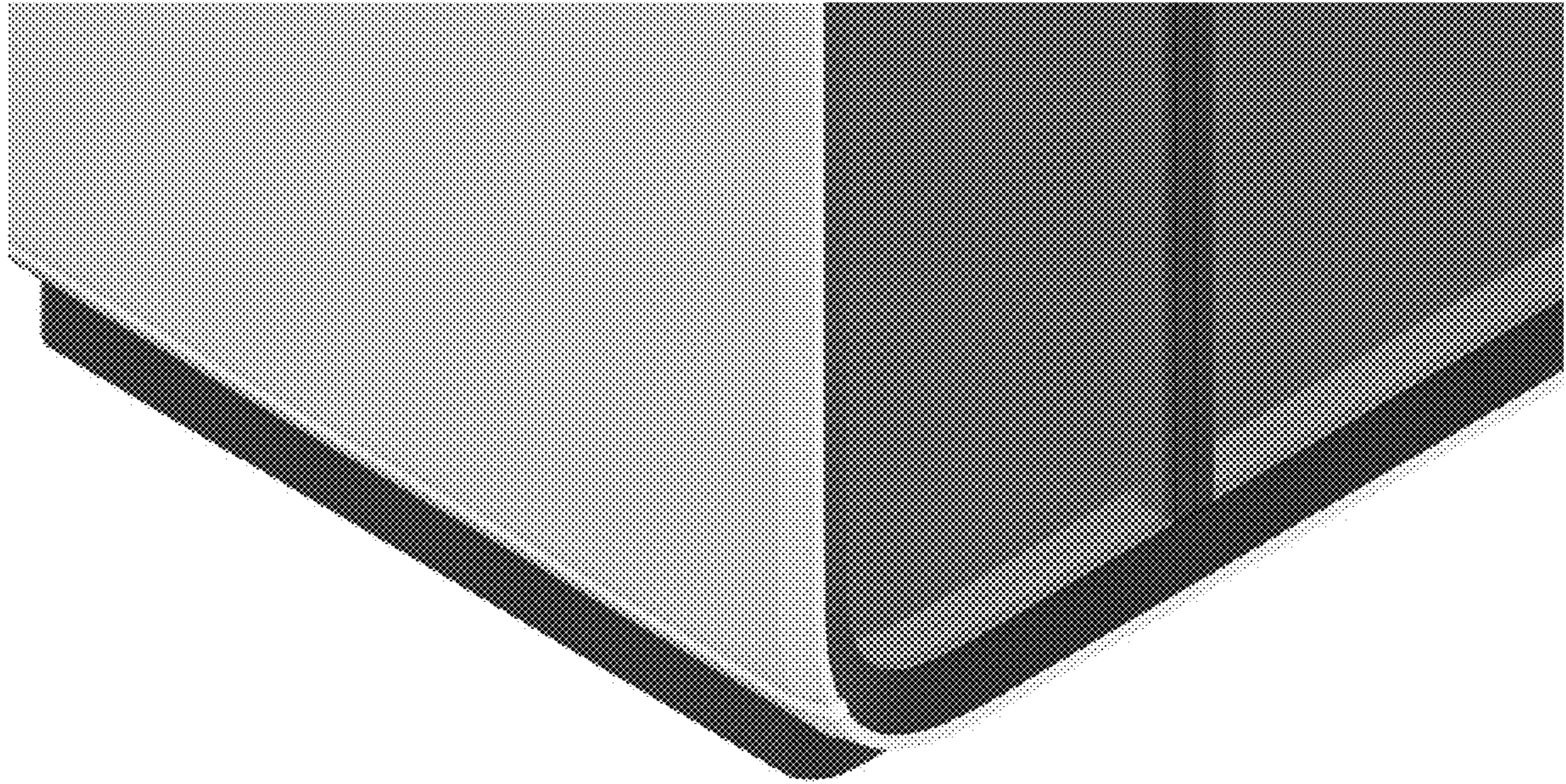


FIG. 10

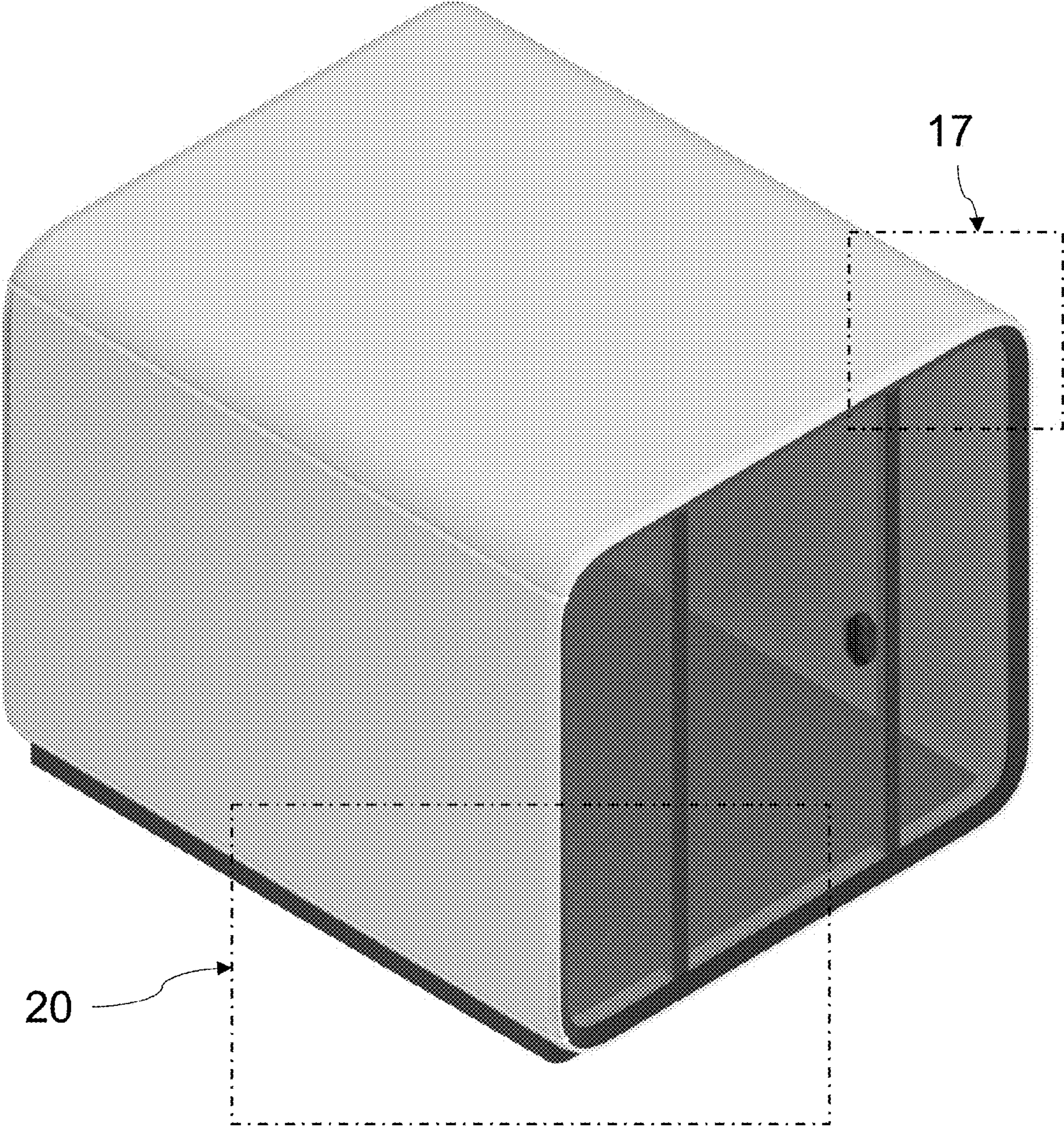


FIG. 11

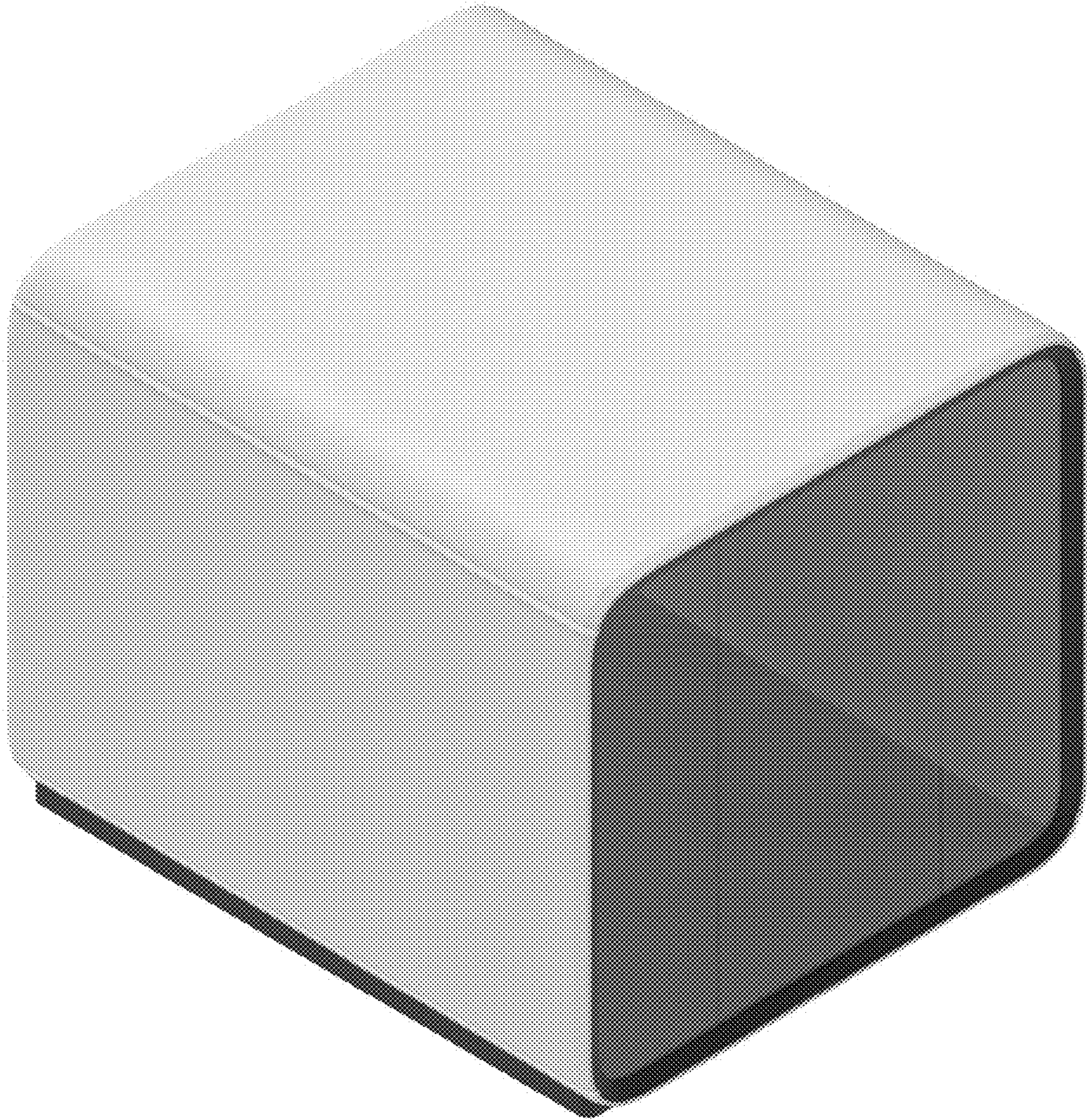


FIG. 12

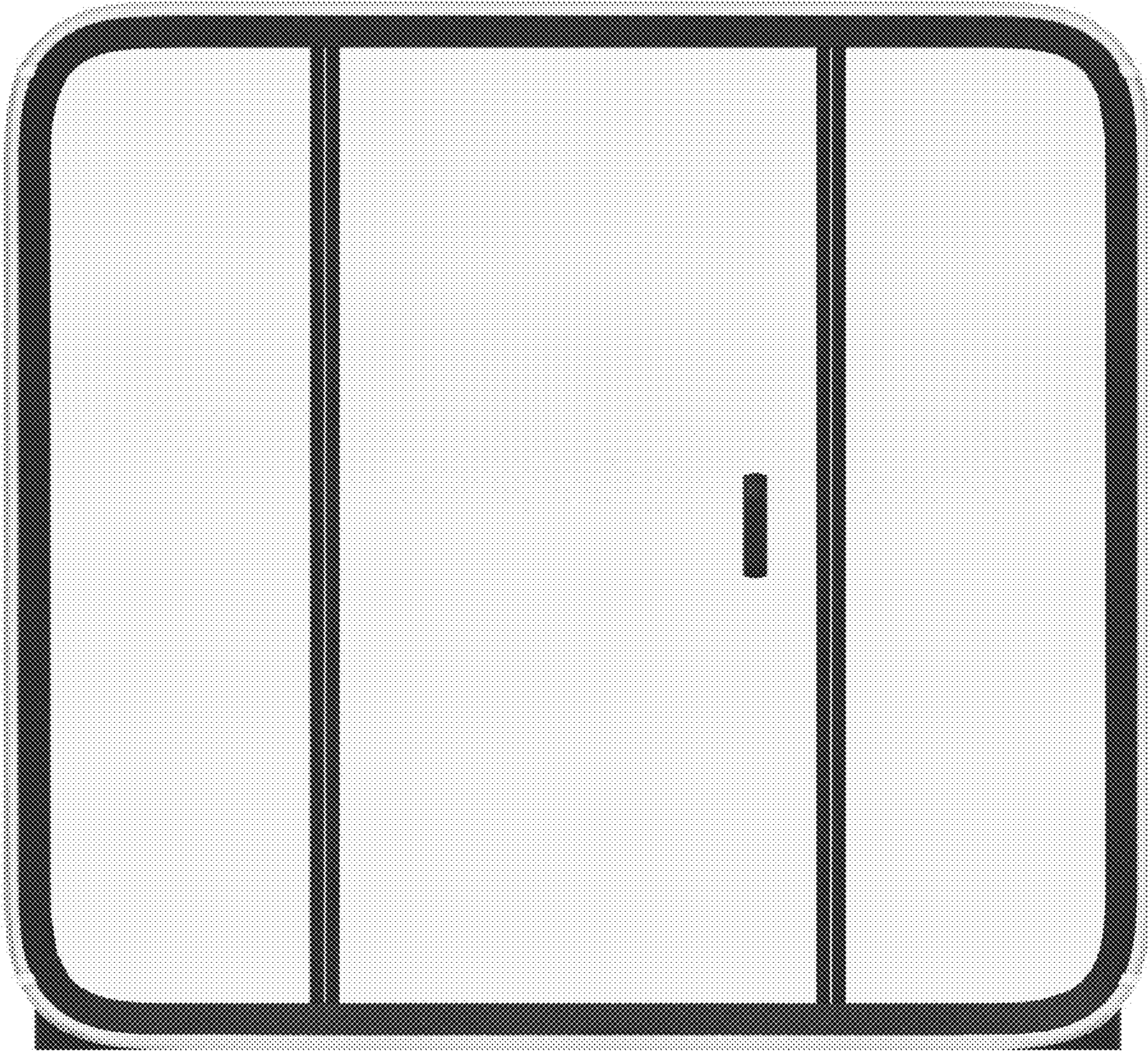


FIG. 13

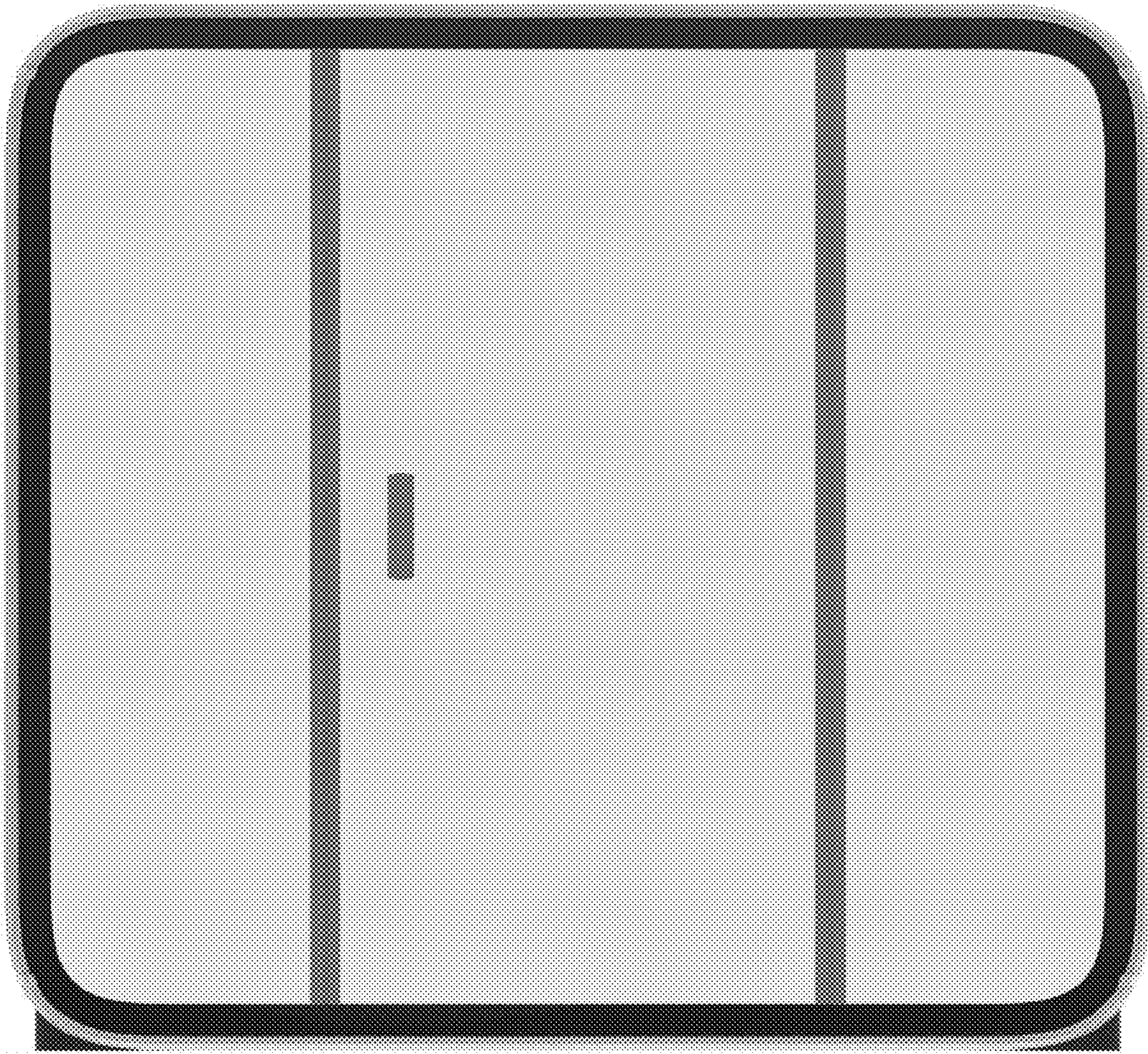


FIG. 14



FIG. 15

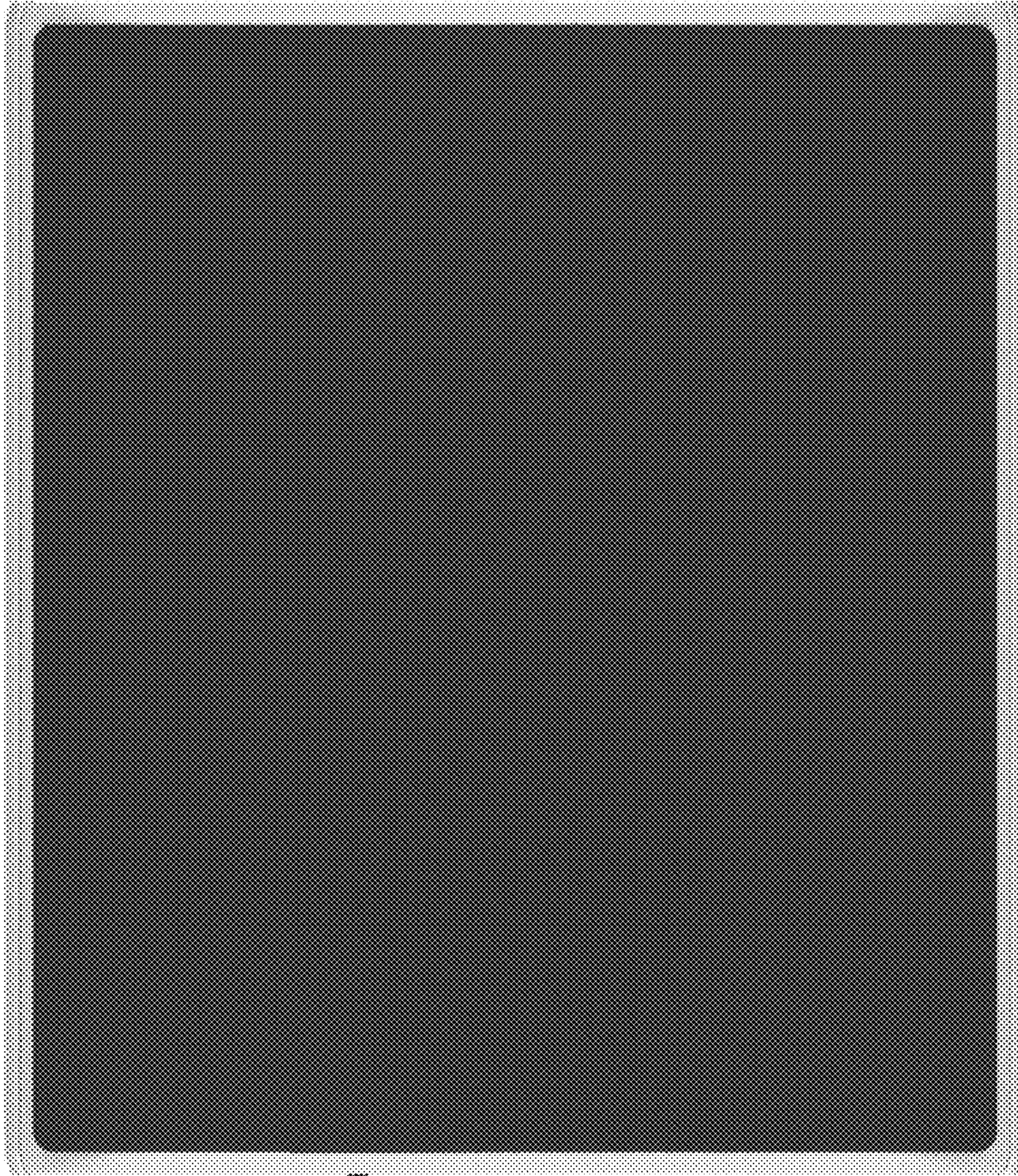


FIG. 16

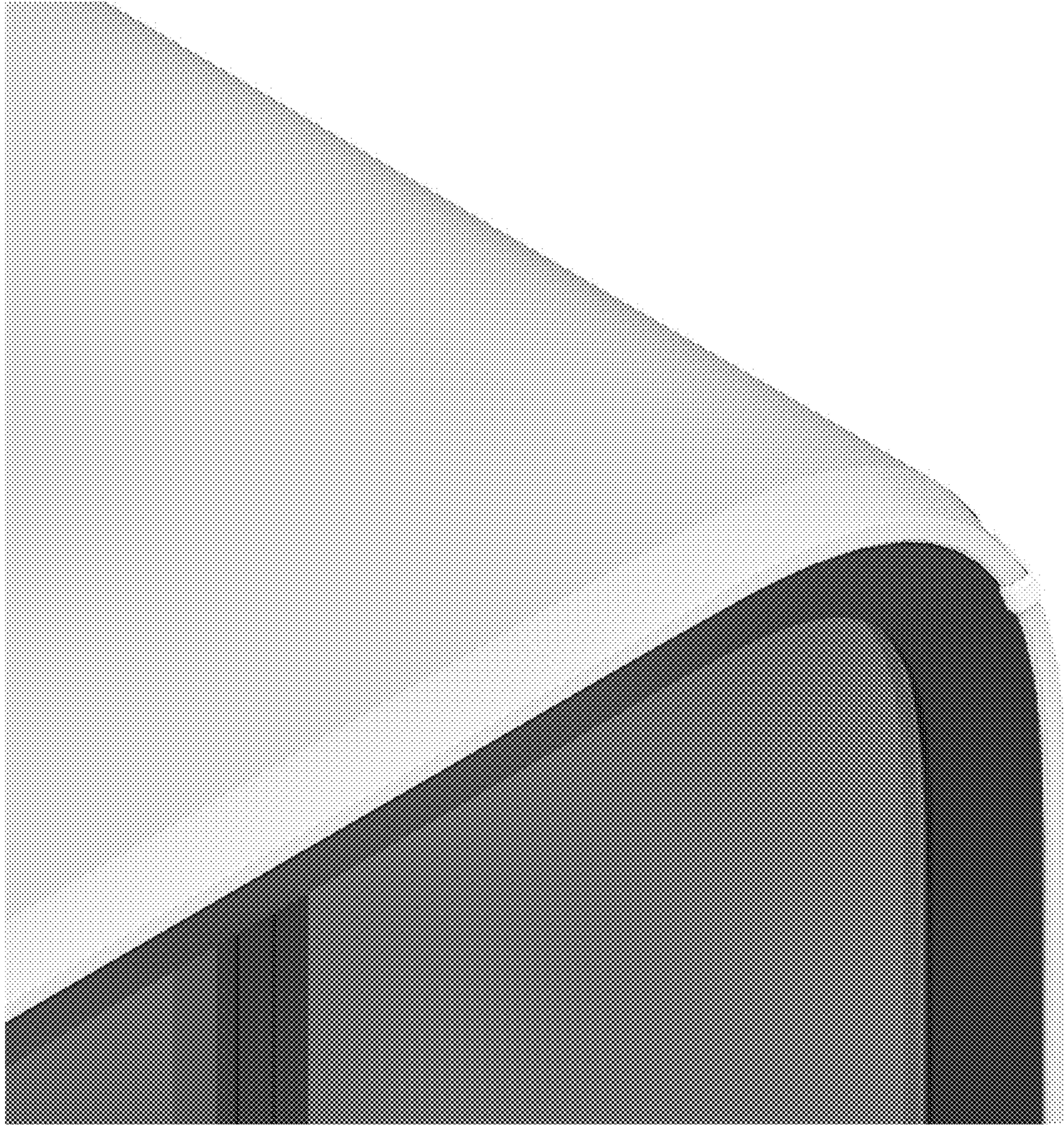


FIG. 17

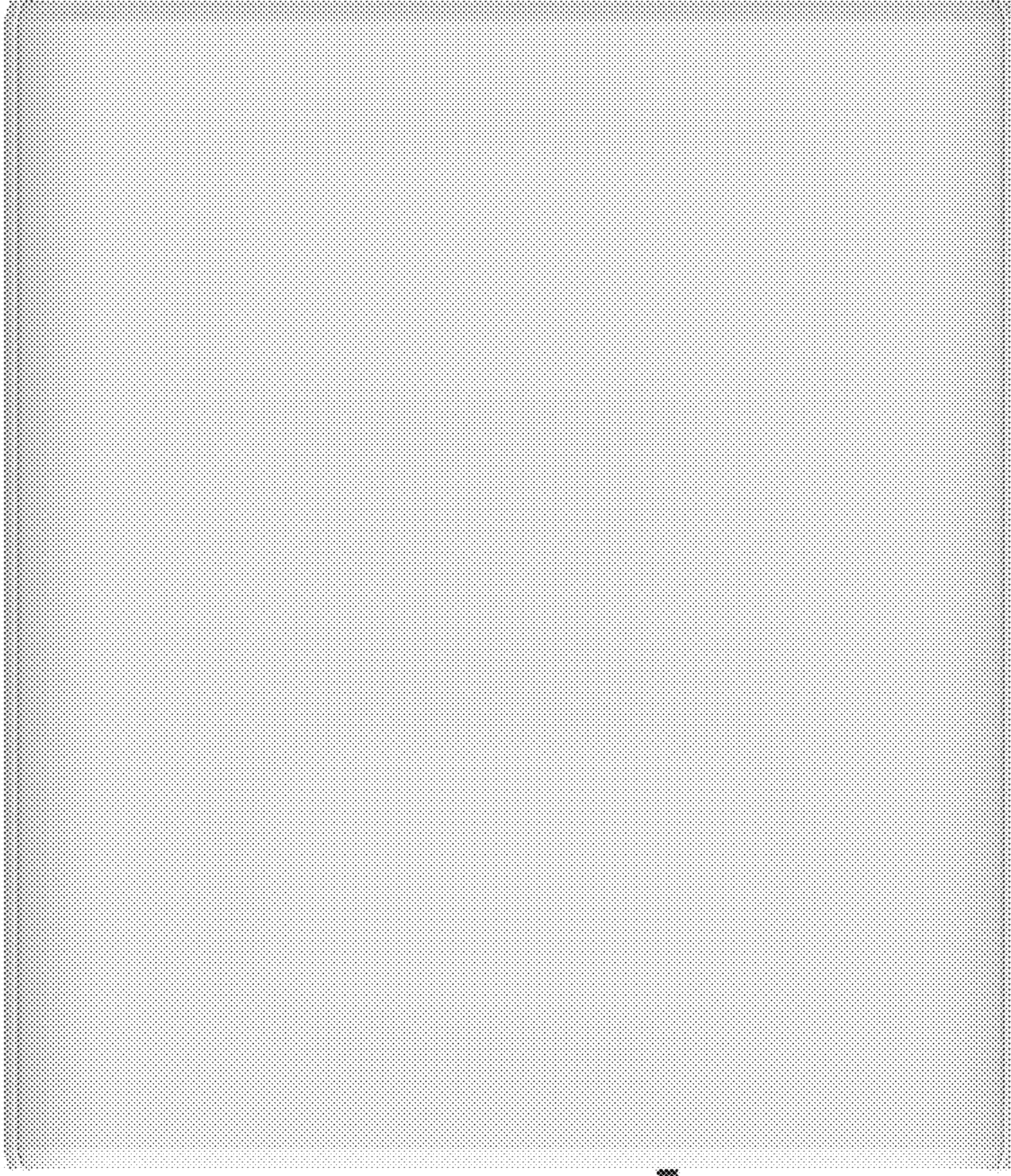


FIG. 18

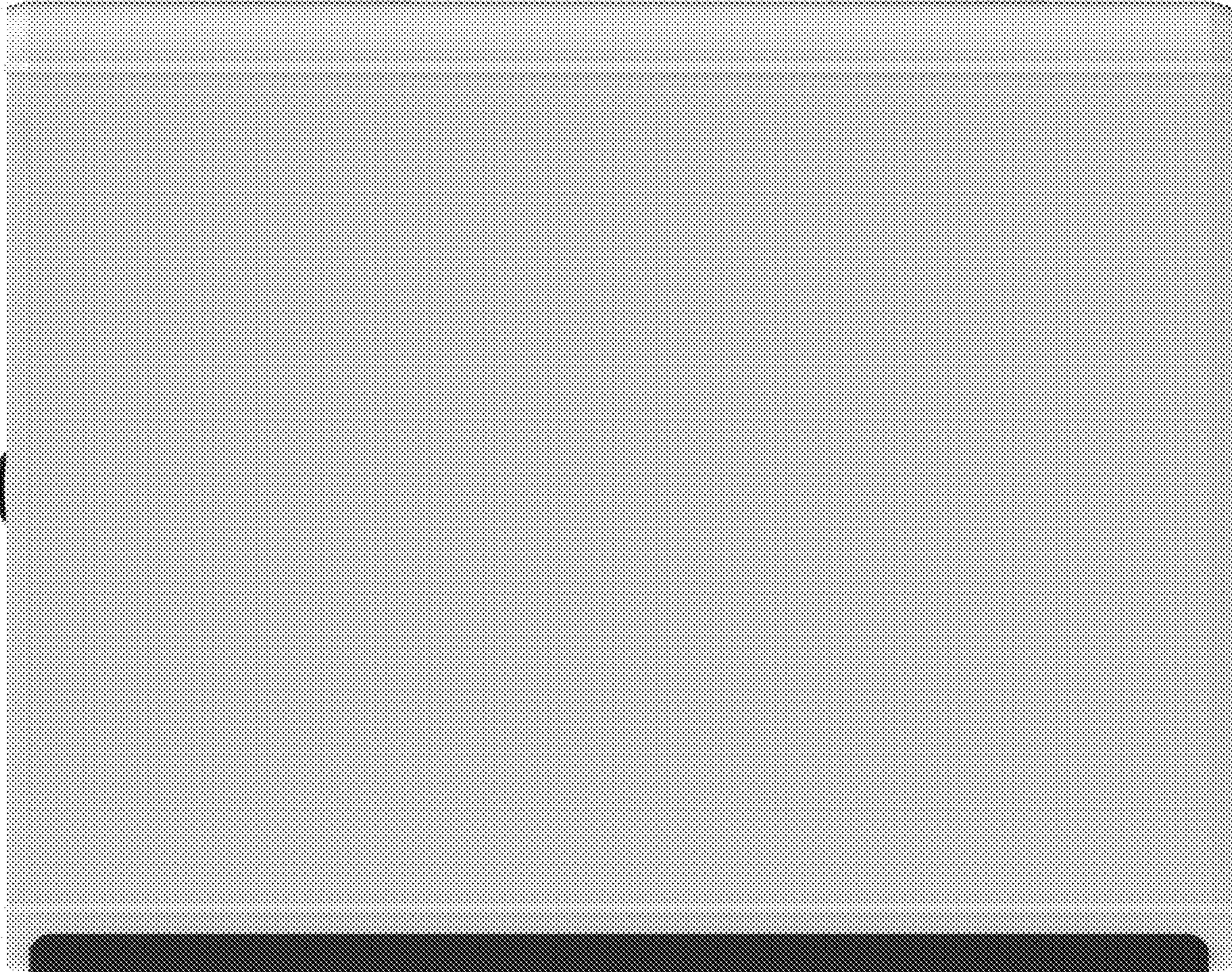


FIG. 19

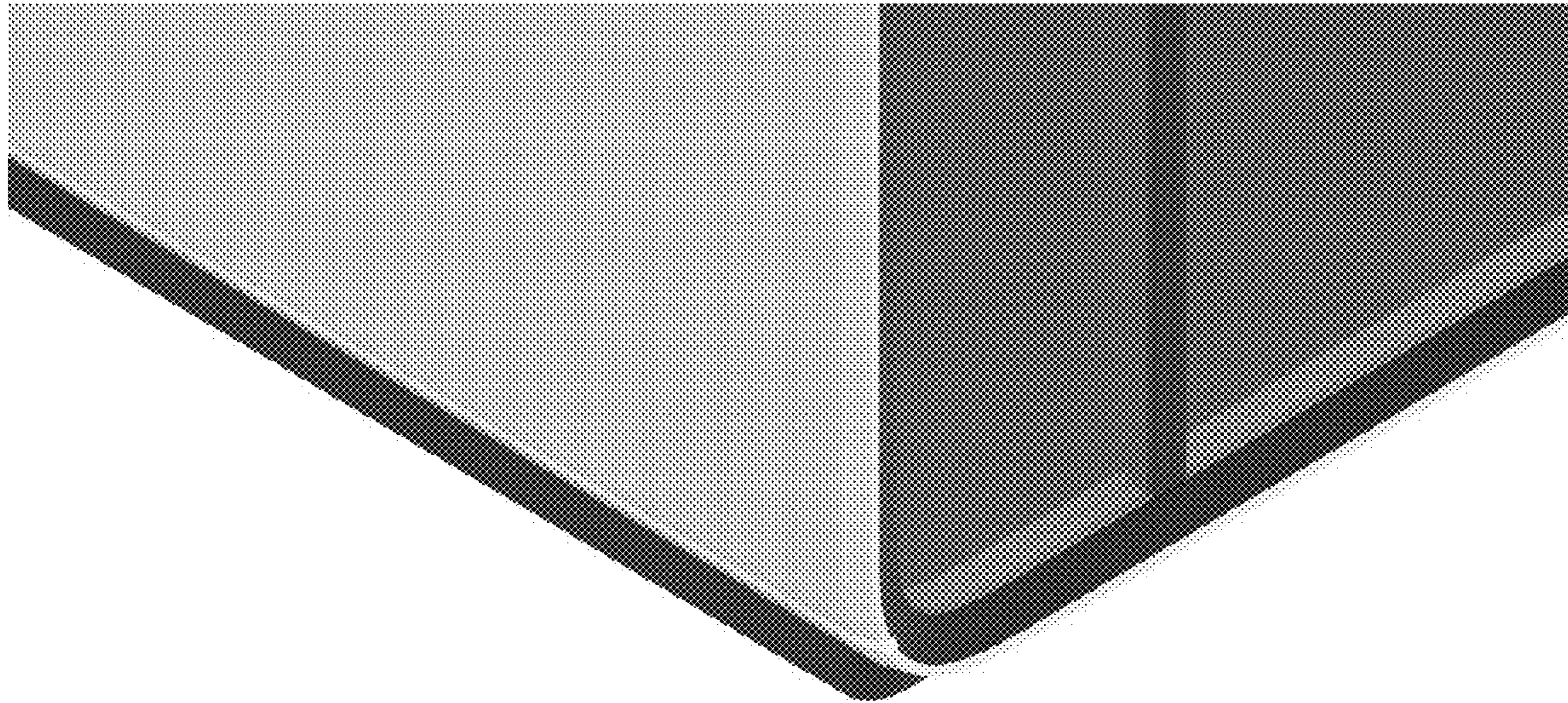


FIG. 20

UNITED STATES PATENT AND TRADEMARK OFFICE
CERTIFICATE OF CORRECTION

PATENT NO. : D977,147 S
APPLICATION NO. : 29/826743
DATED : January 31, 2023
INVENTOR(S) : Jarno Lehtinen et al.

Page 1 of 1

It is certified that error appears in the above-identified patent and that said Letters Patent is hereby corrected as shown below:

On the Title Page

Prior to item (51), insert:
--(30) Foreign Application Priority Data
Apr. 14, 2020 (EM) 007809439--

Signed and Sealed this
Twenty-first Day of May, 2024
Katherine Kelly Vidal

Katherine Kelly Vidal
Director of the United States Patent and Trademark Office