

US00D977144S

(12) **United States Design Patent**
Knight

(10) **Patent No.:** **US D977,144 S**
(45) **Date of Patent:** **** Jan. 31, 2023**

- (54) **CAP FOR CLOSING A VIAL**
- (71) Applicant: **GEN-PROBE INCORPORATED**, San Diego, CA (US)
- (72) Inventor: **Byron J. Knight**, San Diego, CA (US)
- (73) Assignee: **GEN-PROBE INCORPORATED**, San Diego, CA (US)

D561,348 S * 2/2008 Zinger D24/231
 D636,678 S * 4/2011 Baird D9/547
 8,267,911 B2 * 9/2012 Gallogly A61B 5/15003
 604/408
 D734,868 S * 7/2015 Gilboa D24/231
 D759,836 S * 6/2016 Wainwright D24/224
 9,718,059 B2 * 8/2017 Buse B65D 17/50
 10,065,190 B2 * 9/2018 Buse G01N 35/10
 D833,030 S * 11/2018 Sasano D10/103

(Continued)

- (**) Term: **15 Years**
- (21) Appl. No.: **29/751,799**
- (22) Filed: **Sep. 23, 2020**

FOREIGN PATENT DOCUMENTS

CA 147906 * 10/2014
 IN 257622-0001 * 3/2018
 JP D1482294 * 10/2016

Related U.S. Application Data

- (63) Continuation of application No. 15/677,364, filed on Aug. 15, 2017, now Pat. No. 11,000,851, which is a continuation of application No. 14/210,127, filed on Mar. 13, 2014, now Pat. No. 10,654,041.

- (51) **LOC (14) Cl.** **24-99**
- (52) **U.S. Cl.**
USPC **D24/231; D24/224**
- (58) **Field of Classification Search**
USPC D24/108, 112, 127, 129, 130, 164, 111,
D24/230, 231, 222-225; D9/449,
D9/452-454
CPC A61J 1/00; A61K 6/00; A61K 2121/00;
G01F 1/00; G01F 11/00; G01F 17/00;
G01F 23/00; C12M 1/00
See application file for complete search history.

OTHER PUBLICATIONS

Vial Mate Tech Training Video, Dec. 23, 2020, youtube.com [online], [site visited Mar. 30, 2022], Available from internet, URL: <https://www.youtube.com/watch?v=Qkf_jss6b0E> (Year: 2020).*

Primary Examiner — Wendy L Arminio
Assistant Examiner — Maheen Khurshid
 (74) *Attorney, Agent, or Firm* — Sterne, Kessler,
 Goldstein & Fox P.L.L.C.; Charles B. Cappellari

(57) **CLAIM**

The ornamental design for a cap for closing a vial, as shown and described.

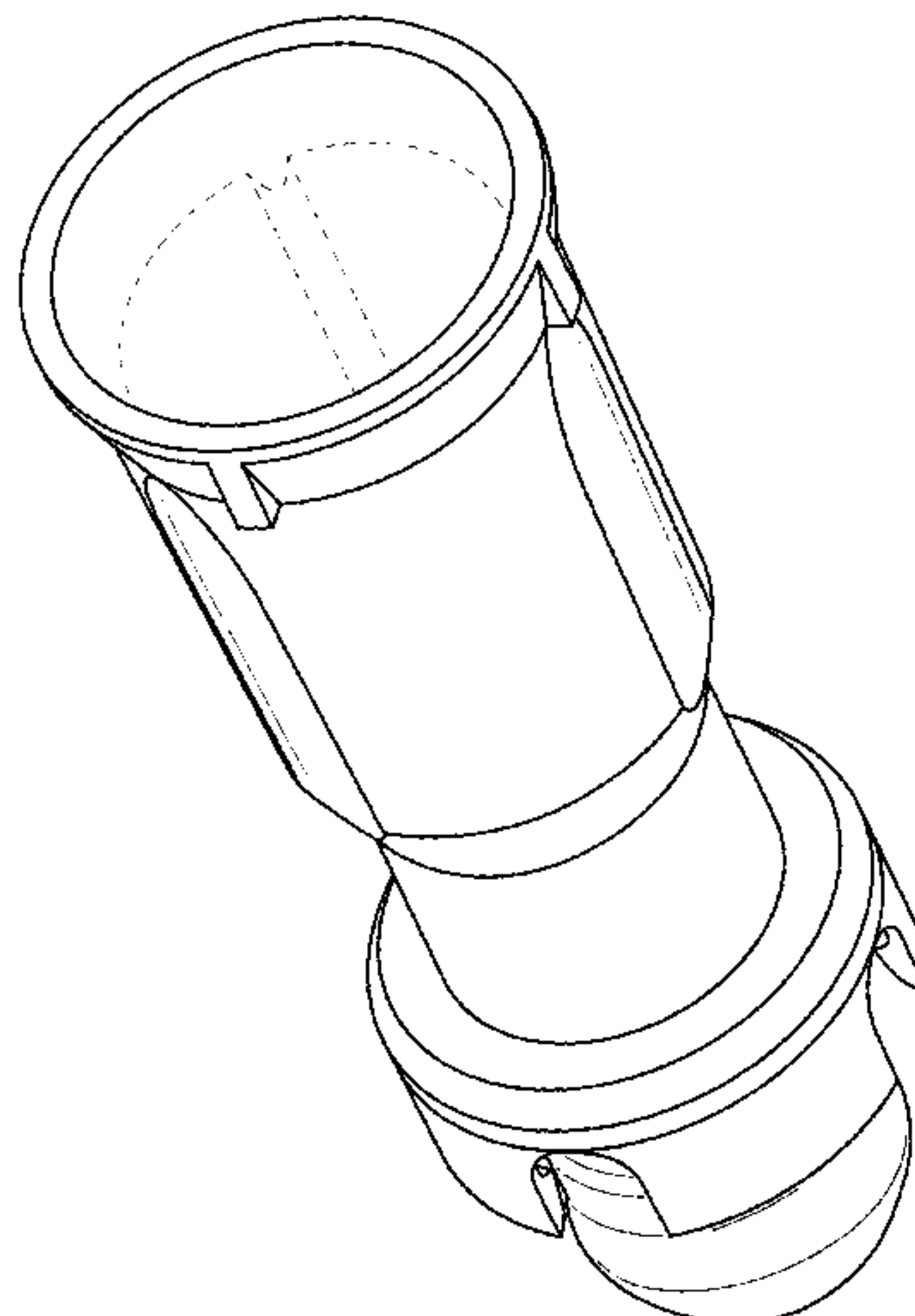
DESCRIPTION

FIG. 1 is a top front perspective view of a cap for closing a vial showing the claimed design;
 FIG. 2 is a bottom front perspective view thereof; and,
 FIG. 3 is a front view thereof.
 Portions of the cap for closing a vial that are not shown form no part of the claimed design.
 The broken lines in the figures show portions of the cap for closing a vial that form no part of the claimed design.

- (56) **References Cited**
U.S. PATENT DOCUMENTS

D209,822 S * 1/1968 Alliger D24/224
 5,031,622 A * 7/1991 LaHaye A61B 3/16
 D24/137
 5,186,829 A * 2/1993 Janik B01D 27/08
 210/232
 5,726,406 A * 3/1998 Bolongeat-Mobleu
 H01H 33/664
 218/123

1 Claim, 2 Drawing Sheets



(56)

References Cited

U.S. PATENT DOCUMENTS

10,238,325 B2 * 3/2019 Burkholz A61M 1/34
10,569,017 B2 * 2/2020 Constantineau A61M 5/2066
D896,648 S * 9/2020 Nguyen-DeMary D24/231
D923,814 S * 6/2021 Lee D24/224
11,241,690 B2 * 2/2022 Noguchi B01L 3/5029
2003/0111552 A1 * 6/2003 Vedrine A61M 5/284
239/533.1
2009/0088336 A1 * 4/2009 Burd G01N 33/54366
506/9
2011/0092917 A1 * 4/2011 Wei A61M 5/24
604/240
2012/0122231 A1 * 5/2012 Tajima G01N 35/026
422/62
2017/0176915 A1 * 6/2017 Martin G03G 21/181
2017/0297027 A1 * 10/2017 Knight B65D 43/0202
2017/0349315 A1 * 12/2017 Yang A61M 5/002
2018/0140783 A1 * 5/2018 Raday A61M 5/326
2020/0114285 A1 * 4/2020 Courtney B01D 27/08

* cited by examiner

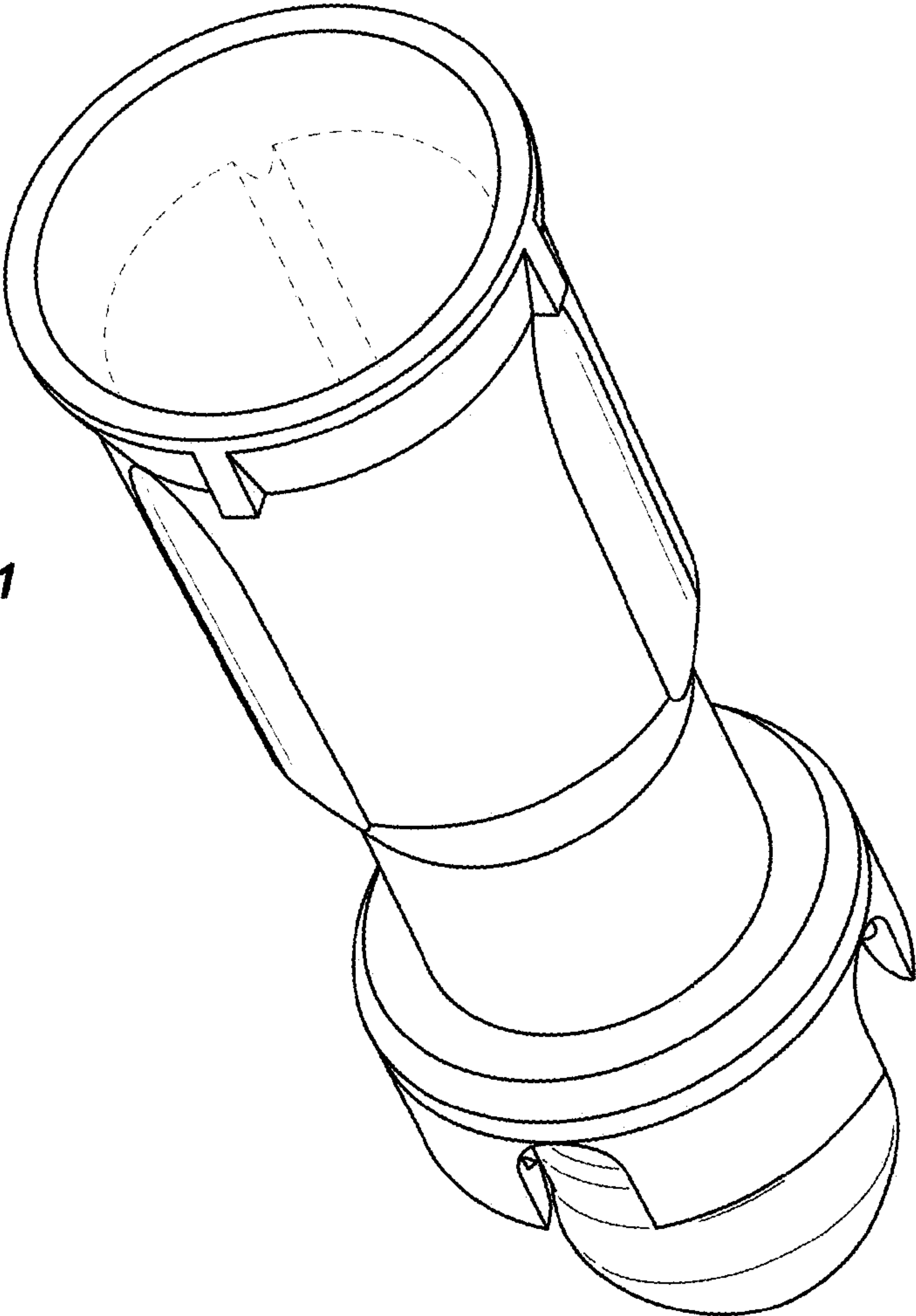


FIG. 1

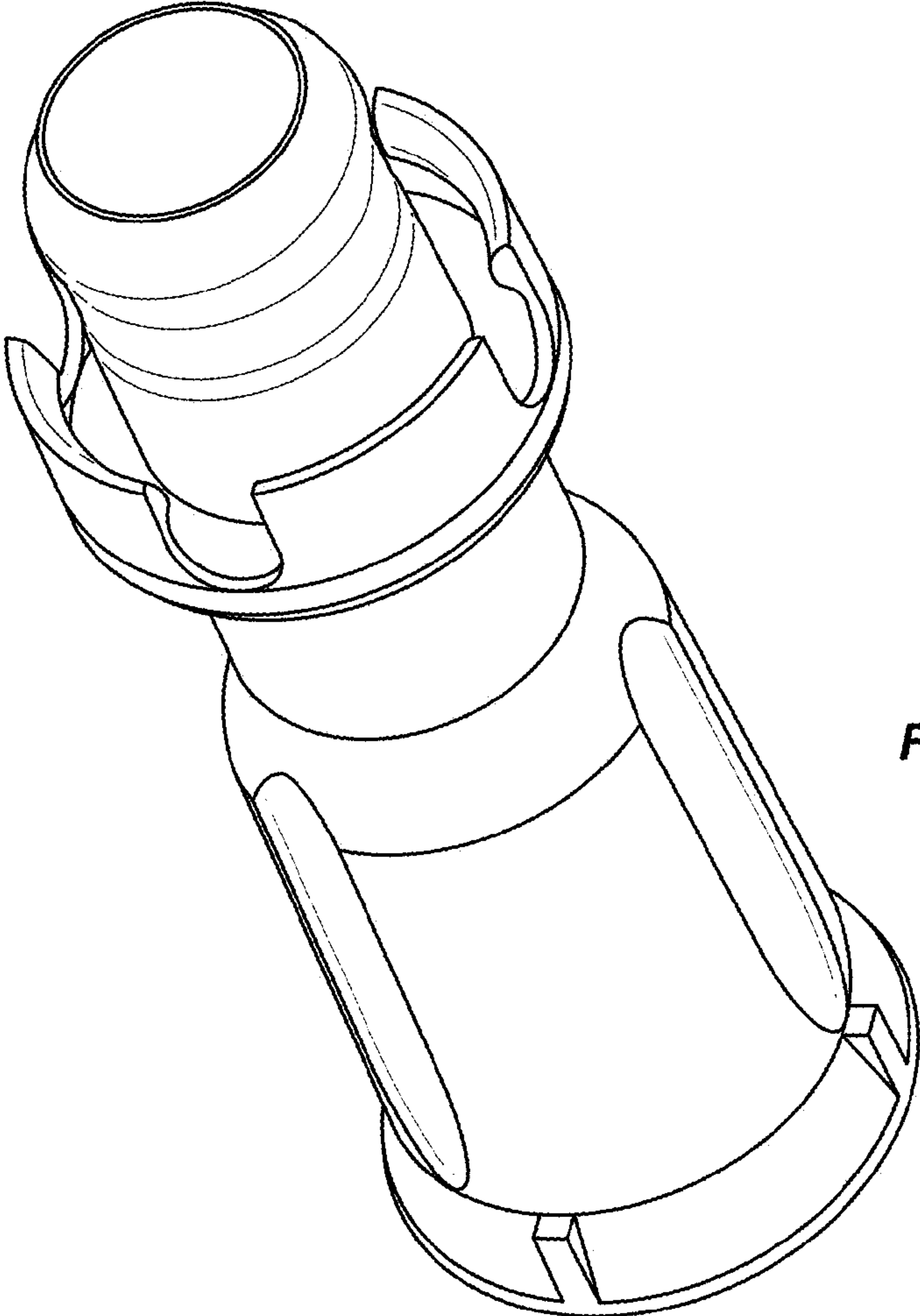


FIG. 2

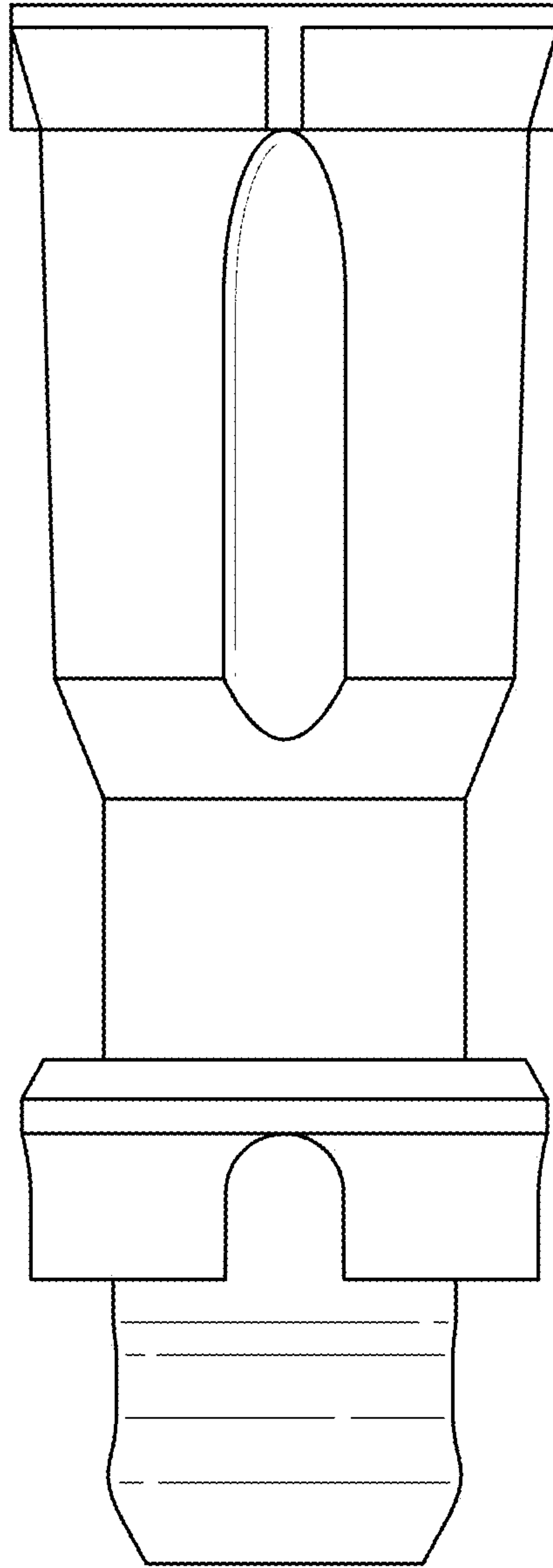


FIG. 3