



US00D977143S

(12) **United States Design Patent** (10) **Patent No.:** **US D977,143 S**
Lazevski et al. (45) **Date of Patent:** **** Jan. 31, 2023**

(54) **REAGENT CARTRIDGE**
(71) Applicants: **QIAGEN GMBH**, Hilden (DE);
HITACHI HIGH-TECH CORPORATION, Tokyo (JP)
(72) Inventors: **Sasa Lazevski**, Solingen (DE);
Akimasa Osaka, Tokyo (JP)

D131,157 S 1/1942 Drake et al.
2,864,279 A 12/1958 Phifer
3,280,857 A 10/1966 Grave, Jr. et al.
3,286,583 A 11/1966 Andres
3,319,512 A 5/1967 Isreeli
3,501,242 A 3/1970 Mey, II et al.
3,584,964 A 6/1971 Nejame, Jr.
3,684,386 A 8/1972 Noll

(Continued)

(73) Assignees: **QIAGEN GMBH**, Hilden (DE);
HITACHI HIGH-TECH CORPORATION, Tokyo (JP)

FOREIGN PATENT DOCUMENTS

GB 6058955 * 4/2019
WO WO 2020/100659 5/2020

(**) Term: **15 Years**

OTHER PUBLICATIONS

(21) Appl. No.: **29/729,708**

Microfluidics: Comprehensive Microfluidics Solutions for Diagnostics and Life Science Research. Online, published date 2018. Retrieved on Aug. 11, 2021 from URL: https://www.thinx.com/wp-content/uploads/2020/03/IDX2710_MicrofluidicsCapabilities.pdf.*

(22) Filed: **Mar. 30, 2020**

(30) **Foreign Application Priority Data**

(Continued)

Oct. 1, 2019 (EM) 006950598-0001

(51) **LOC (14) Cl.** **24-02**

(52) **U.S. Cl.**
USPC **D24/224**

(58) **Field of Classification Search**
USPC D24/216, 222-226, 231, 232, 107, 186,
D24/219, 220, 221; D3/203.1-203.8,
D3/315; D10/81
CPC G01N 35/1002; G01N 21/6456; G01N
21/6458; G01N 21/631; G01N 21/01;
G01N 21/75; B65D 47/0857; C12M
25/14; G21K 2201/06; G21K 2201/067;
B01L 3/502738; B01L 2300/0609; B01L
2300/0672; B01L 2200/025; B01L
2200/026; B01L 2200/028; B01L 2200/16
See application file for complete search history.

Primary Examiner — Omeed Agilee

(74) *Attorney, Agent, or Firm* — Sheridan Ross PC

(57) **CLAIM**

We claim the ornamental design for a reagent cartridge, as shown and described.

DESCRIPTION

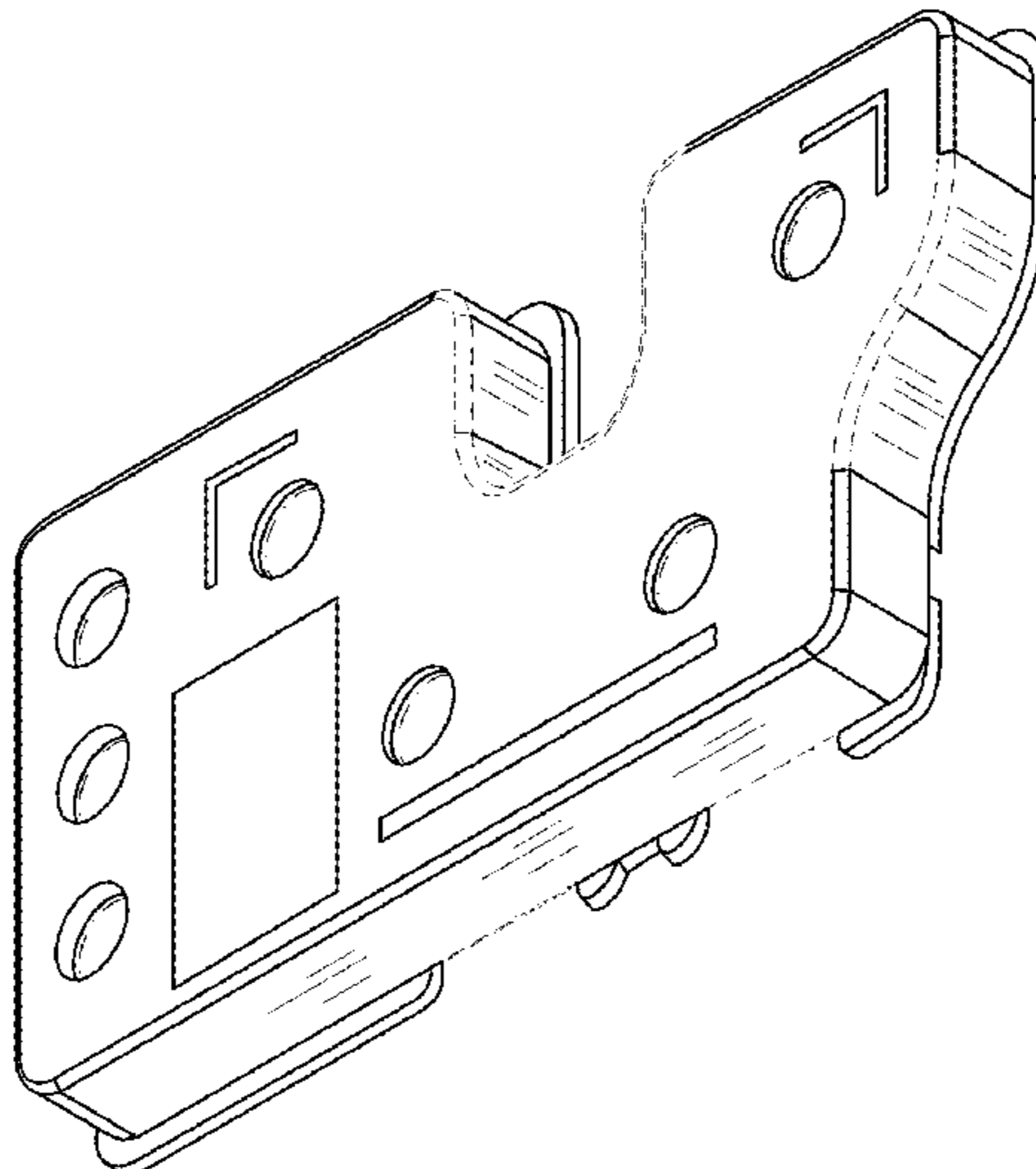
FIG. 1 is a top view of a reagent cartridge;
FIG. 2 is a bottom view of the reagent cartridge;
FIG. 3 is a top perspective view of the reagent cartridge;
FIG. 4 is a side view of the reagent cartridge;
FIG. 5 is a front view of the reagent cartridge;
FIG. 6 is a bottom perspective view of the reagent cartridge;
and,
FIG. 7 is a side view of the reagent cartridge.
The dashed lines depict portions of the reagent cartridge that form no part of the claimed design.

(56) **References Cited**

U.S. PATENT DOCUMENTS

D28,309 S 2/1898 Marks
2,247,008 A 6/1941 Friedrich

1 Claim, 7 Drawing Sheets



(56)

References Cited

U.S. PATENT DOCUMENTS

3,692,416 A 9/1972 Tarbet
4,566,791 A 1/1986 Goldsmith
4,575,424 A 3/1986 Allington et al.
4,822,166 A 4/1989 Rossiter
D302,294 S * 7/1989 Hillman D24/223
D322,315 S * 12/1991 Ushikubo D24/117
6,816,254 B2 11/2004 Pastwik
D561,905 S * 2/2008 Ramel D10/81
D669,594 S * 10/2012 Cao D24/216
D688,668 S * 8/2013 Ben-Gad D14/436
D784,551 S * 4/2017 Todd D24/224
D800,336 S * 10/2017 Chang D24/224
D814,325 S 4/2018 Little, III et al.
D830,573 S * 10/2018 Poirier D24/224
D878,622 S * 3/2020 Wild D24/224
D900,656 S 11/2020 Krwyj et al.
D913,133 S 3/2021 Brusseau et al.
D925,061 S * 7/2021 Darbyshire D24/224

D938,608 S * 12/2021 Jones D24/224
D945,640 S * 3/2022 Taylor D24/231
D953,573 S * 5/2022 Taylor D24/232
D953,574 S * 5/2022 Taylor D24/232
2016/0129445 A1 * 5/2016 Corey B01L 3/502715
435/286.1
2021/0078003 A1 * 3/2021 Koeber B01L 3/502761

OTHER PUBLICATIONS

Official Action for U.S. Appl. No. 29/729,584, dated May 18, 2021
21 pages.
Official Action for U.S. Appl. No. 29/729,584, dated Sep. 21, 2021
15 pages.
Official Action for U.S. Appl. No. 29/729,706, dated May 18, 2021
22 pages.
Official Action for U.S. Appl. No. 29/729,706, dated Sep. 21, 2021
14 pages.

* cited by examiner

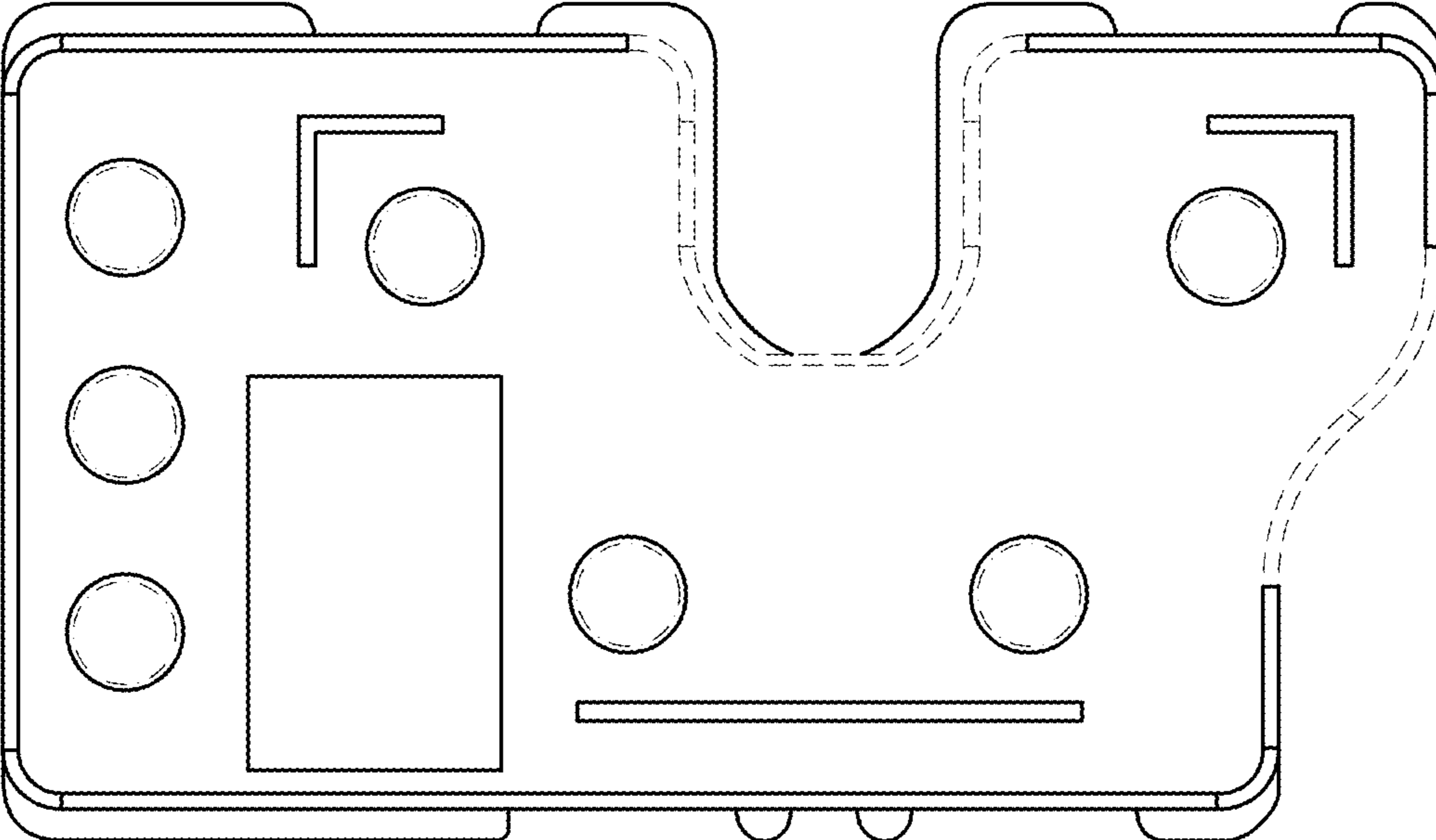


FIG.1

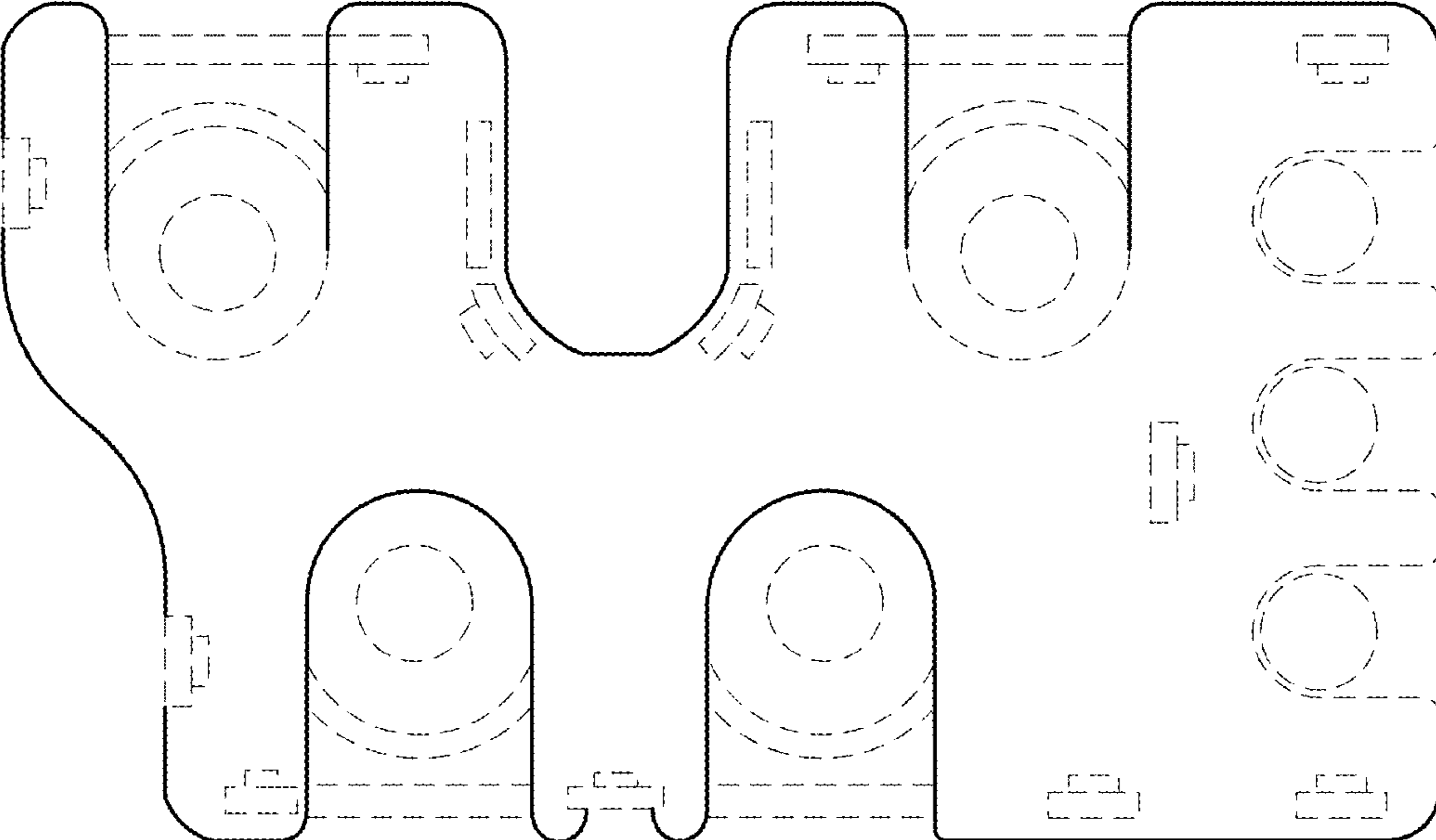


FIG.2

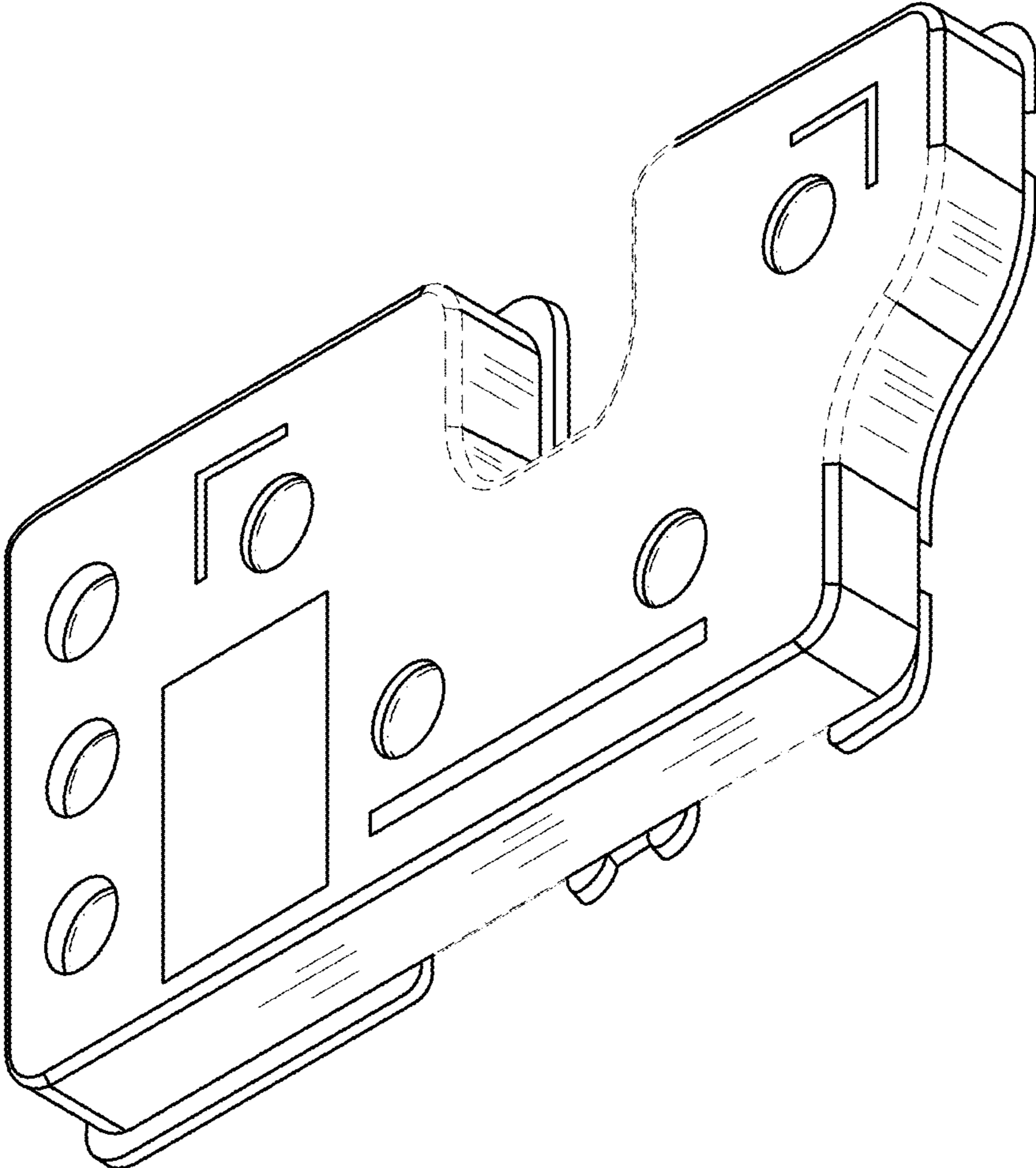


FIG.3

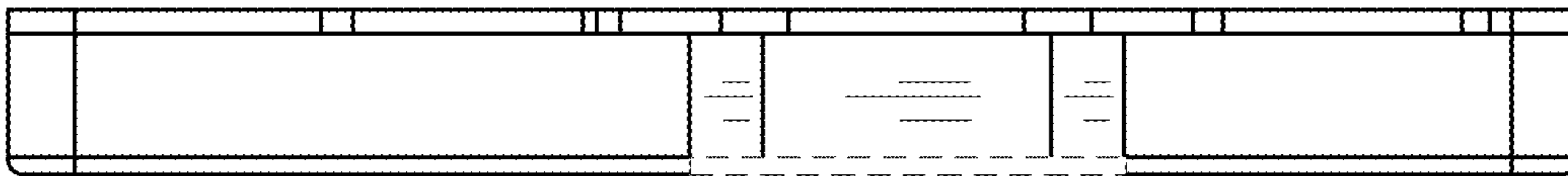


FIG.4

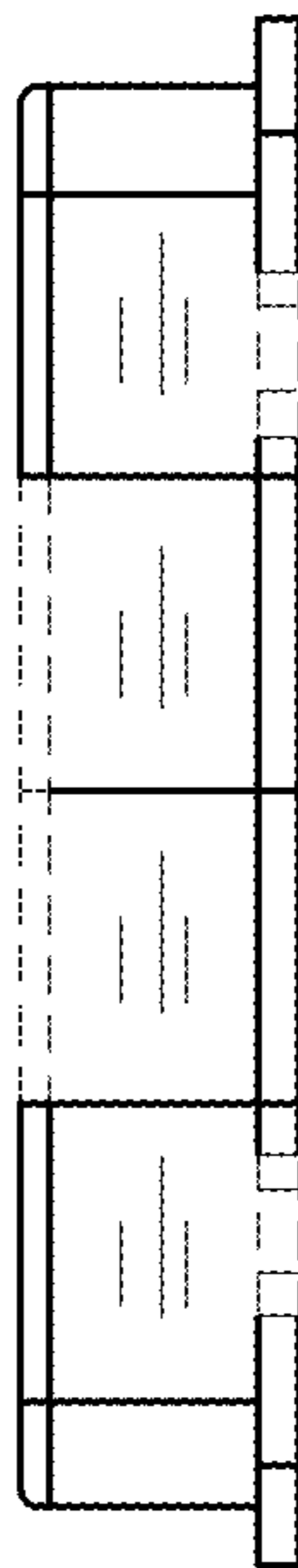


FIG.5

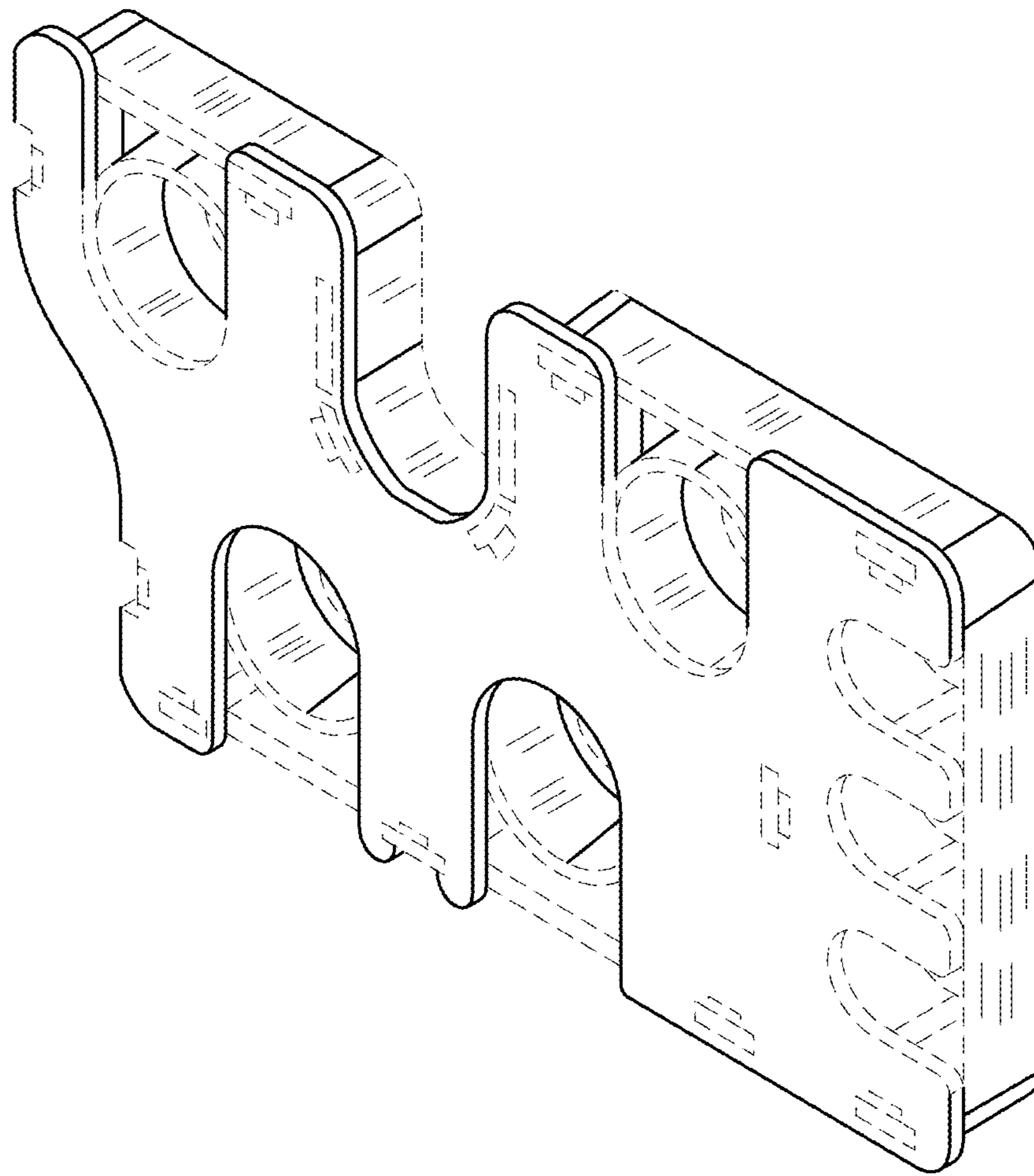


FIG.6

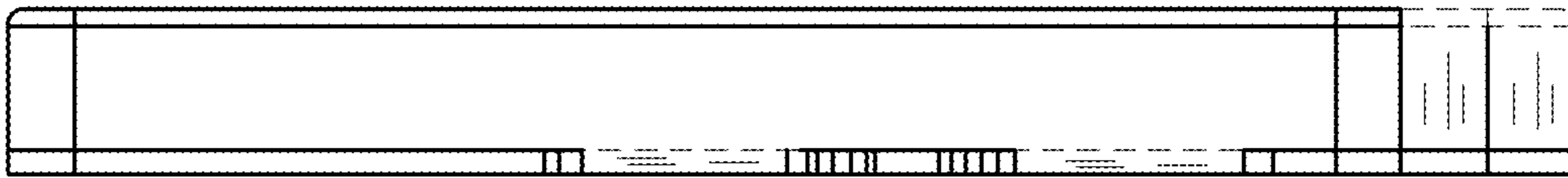


FIG.7