



US00D977141S

(12) **United States Design Patent** (10) **Patent No.:** **US D977,141 S**
Lai et al. (45) **Date of Patent:** **** Jan. 31, 2023**

(54) **STERILIZATION DEVICE**
(71) Applicant: **Delta Electronics, Inc.**, Taoyuan (TW)
(72) Inventors: **Pin-Chen Lai**, Taoyuan (TW);
Chih-Hsien Wang, Taoyuan (TW);
Po-Yen Chen, Taoyuan (TW)
(73) Assignee: **DELTA ELECTRONICS, INC.**,
Taoyuan (TW)

D868,259 S * 11/2019 Frey D24/158
D933,255 S * 10/2021 Carter D24/227
D956,262 S * 6/2022 Ramos D24/217
2020/0306395 A1 * 10/2020 Gardiner A61L 2/26
2021/0322615 A1 * 10/2021 Ramos A61L 2/16
2022/0040347 A1 * 2/2022 Belkadhi A61L 2/28
2022/0062453 A1 * 3/2022 Willis A61L 2/0047
2022/0080065 A1 * 3/2022 Krosney A61L 2/10

* cited by examiner

Primary Examiner — Anhdao Doan

(74) *Attorney, Agent, or Firm* — Kirton McConkie; Evan R. Witt

(**) Term: **15 Years**
(21) Appl. No.: **29/801,013**

(22) Filed: **Jul. 26, 2021**
(51) **LOC (14) Cl.** **24-01**
(52) **U.S. Cl.**
USPC **D24/217**

(57) **CLAIM**

The ornamental design for a sterilization device, as shown and described.

(58) **Field of Classification Search**
USPC D24/216, 217, 218, 219, 231, 232, 234,
D24/209, 210, 158; D32/1; D23/270;
D28/54.1
CPC . A61L 2/0082; A61L 2/22; A61L 2/10; A61L
2/0041; A61L 2/24; A61L 2202/11; A61L
2202/121; A61L 2202/14; A61L 2202/15;
A61L 2202/20; A61L 2202/122
See application file for complete search history.

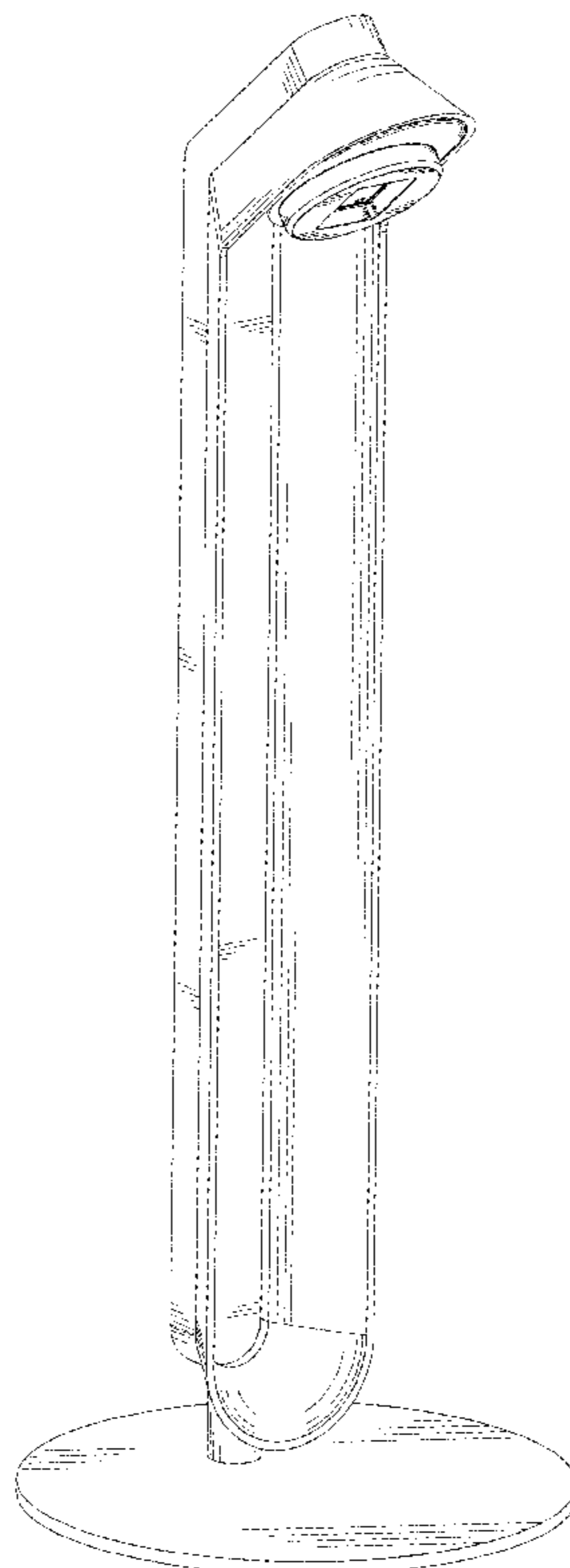
DESCRIPTION

FIG. 1 is a perspective view of a sterilization device showing our new design;
FIG. 2 is another perspective view thereof;
FIG. 3 is a front elevational view thereof;
FIG. 4 is a rear elevational view thereof;
FIG. 5 is a left side elevational view thereof;
FIG. 6 is a right side elevational view thereof;
FIG. 7 is a top plan view thereof; and,
FIG. 8 is a bottom plan view thereof.

(56) **References Cited**
U.S. PATENT DOCUMENTS

D440,799 S * 4/2001 Christianson D6/528
D667,555 S * 9/2012 Boudier D24/158

1 Claim, 7 Drawing Sheets



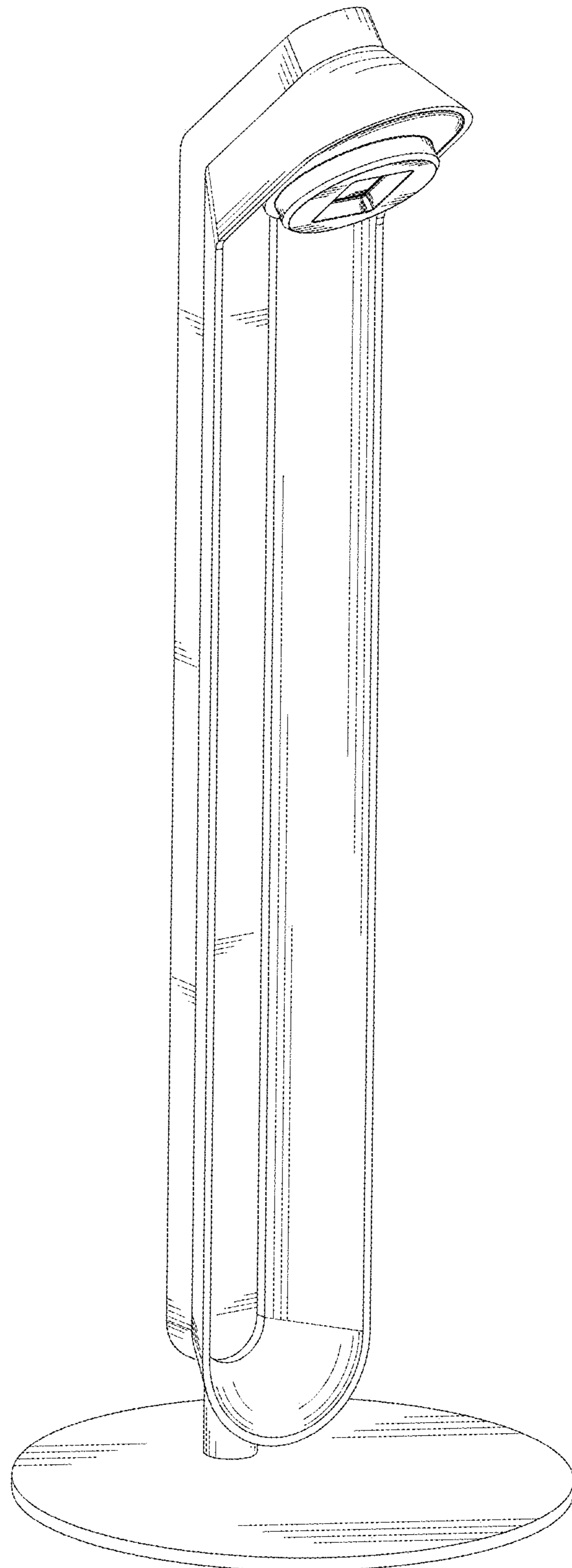


FIG. 1

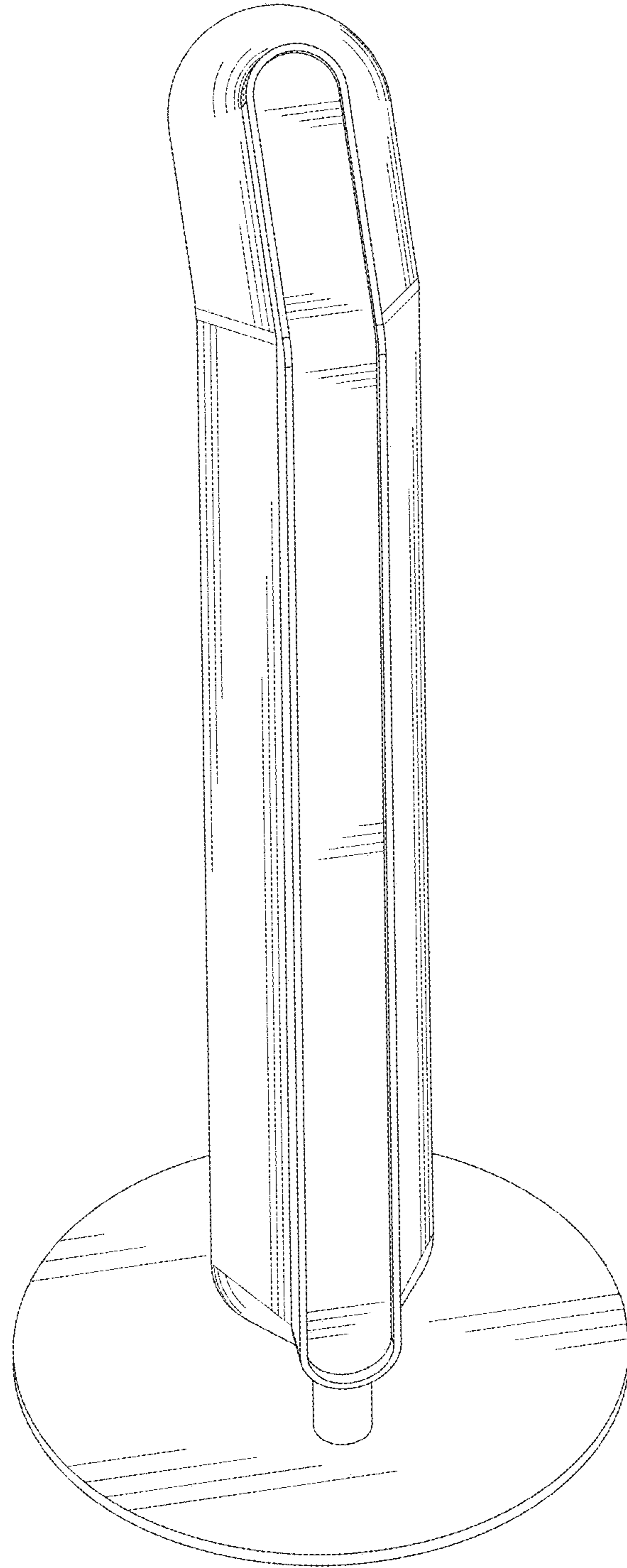


FIG. 2

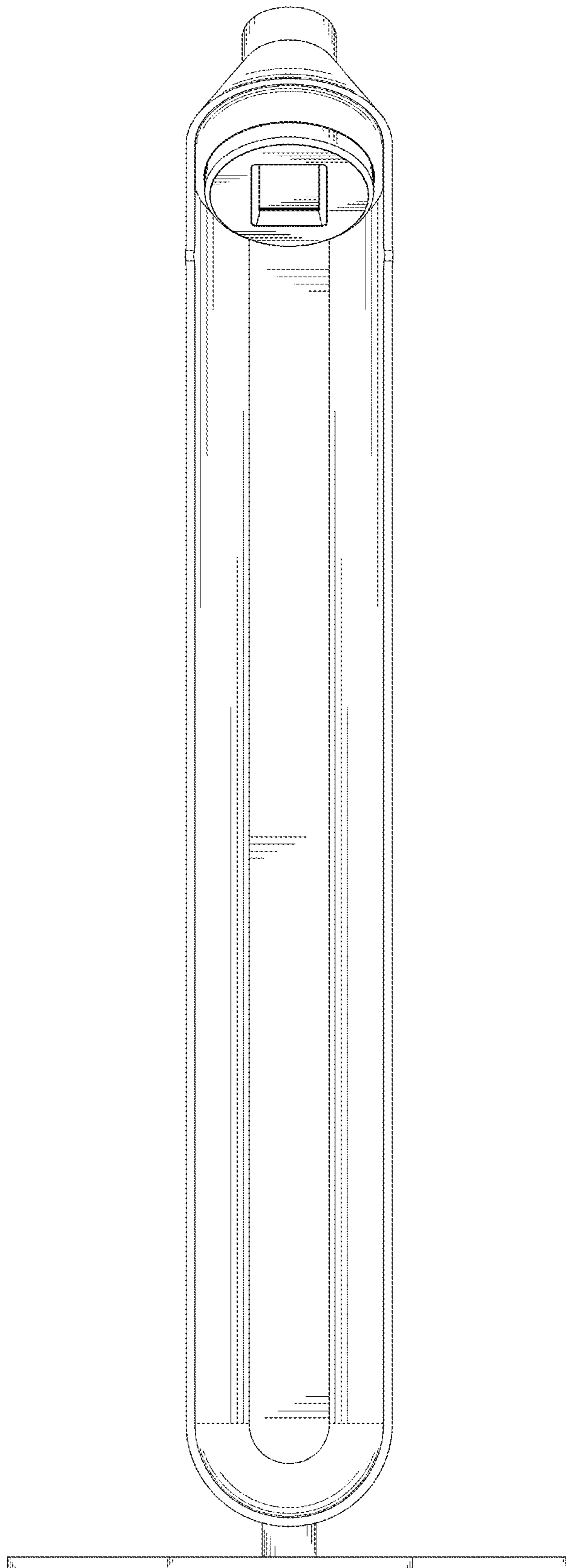


FIG. 3

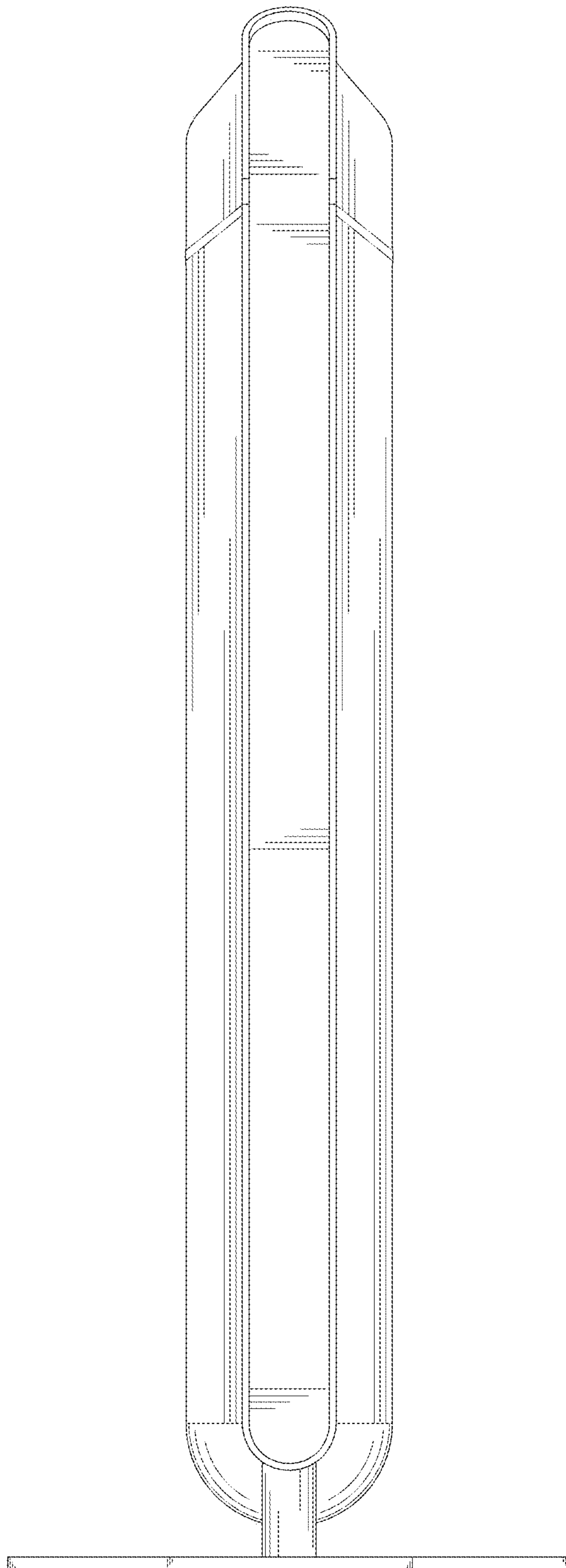


FIG. 4

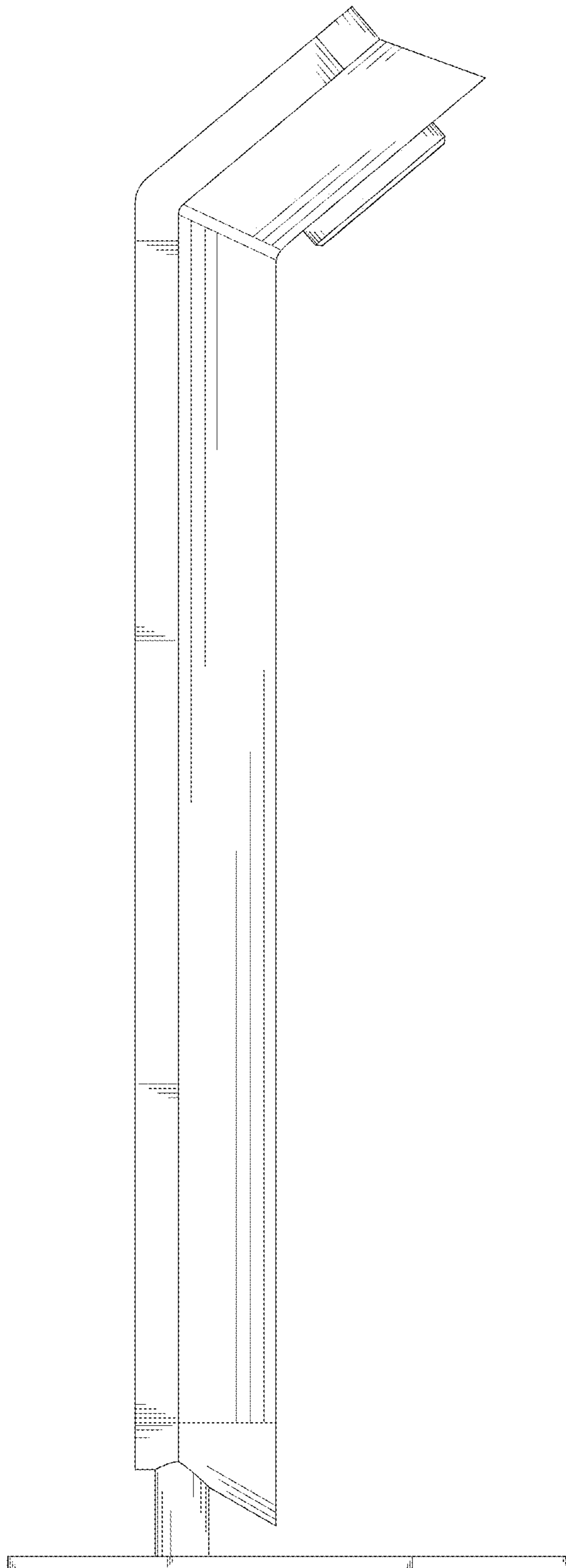


FIG. 5

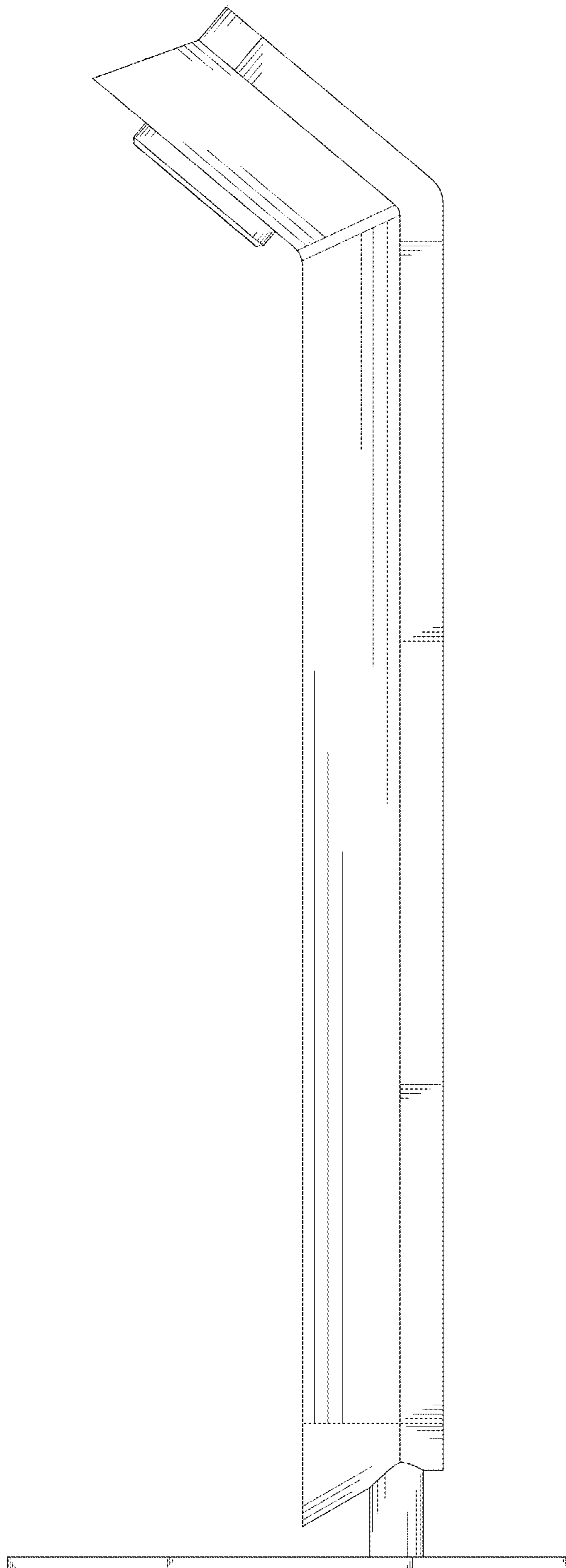


FIG. 6

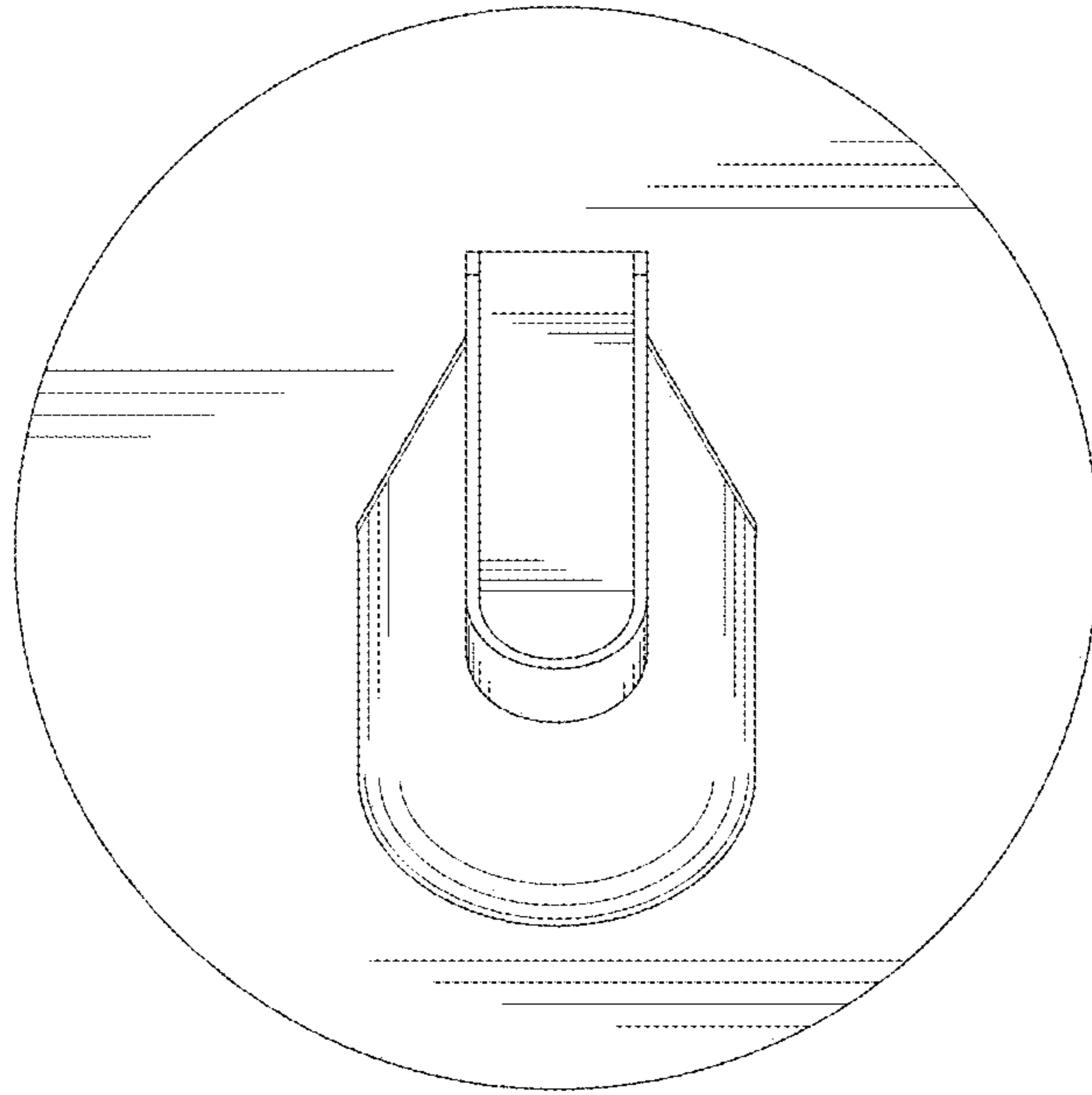


FIG. 7

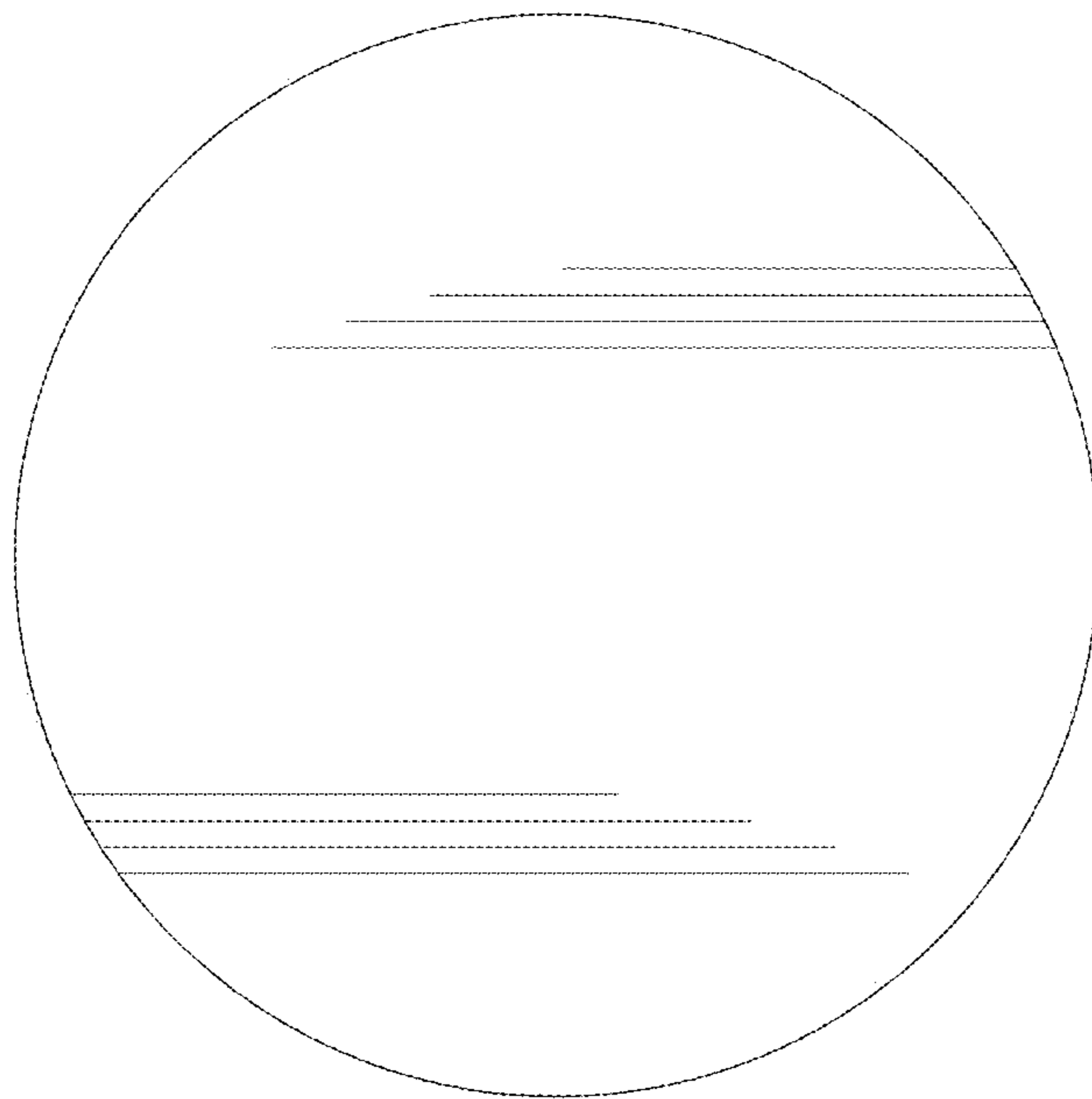


FIG. 8