



US00D977140S

(12) **United States Design Patent**
Lai et al.

(10) **Patent No.:** **US D977,140 S**
(45) **Date of Patent:** **** Jan. 31, 2023**

- (54) **STERILIZATION DEVICE**
- (71) Applicant: **Delta Electronics, Inc.**, Taoyuan (TW)
- (72) Inventors: **Pin-Chen Lai**, Taoyuan (TW);
Chih-Hsien Wang, Taoyuan (TW);
Po-Yen Chen, Taoyuan (TW)
- (73) Assignee: **DELTA ELECTRONICS, INC.**,
Taoyuan (TW)
- (**) Term: **15 Years**
- (21) Appl. No.: **29/796,554**
- (22) Filed: **Jun. 25, 2021**
- (51) **LOC (14) Cl.** **24-01**
- (52) **U.S. Cl.**
USPC **D24/217**
- (58) **Field of Classification Search**
USPC D24/216, 217, 218, 219, 231, 232, 234,
D24/209, 210, 158; D32/1; D23/270;
D28/54.1
CPC . A61L 2/0082; A61L 2/22; A61L 2/10; A61L
2/0041; A61L 2/24; A61L 2202/11; A61L
2202/121; A61L 2202/14; A61L 2202/15;
A61L 2202/20; A61L 2202/122
See application file for complete search history.

- D532,931 S * 11/2006 Chang D28/54.1
- D920,487 S * 5/2021 Provost D23/270
- D950,767 S * 5/2022 Khan D24/217
- D956,262 S * 6/2022 Ramos D24/217
- 2010/0084486 A1* 4/2010 Kim A61L 2/24
239/71
- 2022/0023453 A1* 1/2022 Foust A61L 2/24

* cited by examiner

Primary Examiner — Anhdao Doan

(74) *Attorney, Agent, or Firm* — Kirton McConkie; Evan R. Witt

(57) **CLAIM**

The ornamental design for a sterilization device, as shown and described.

DESCRIPTION

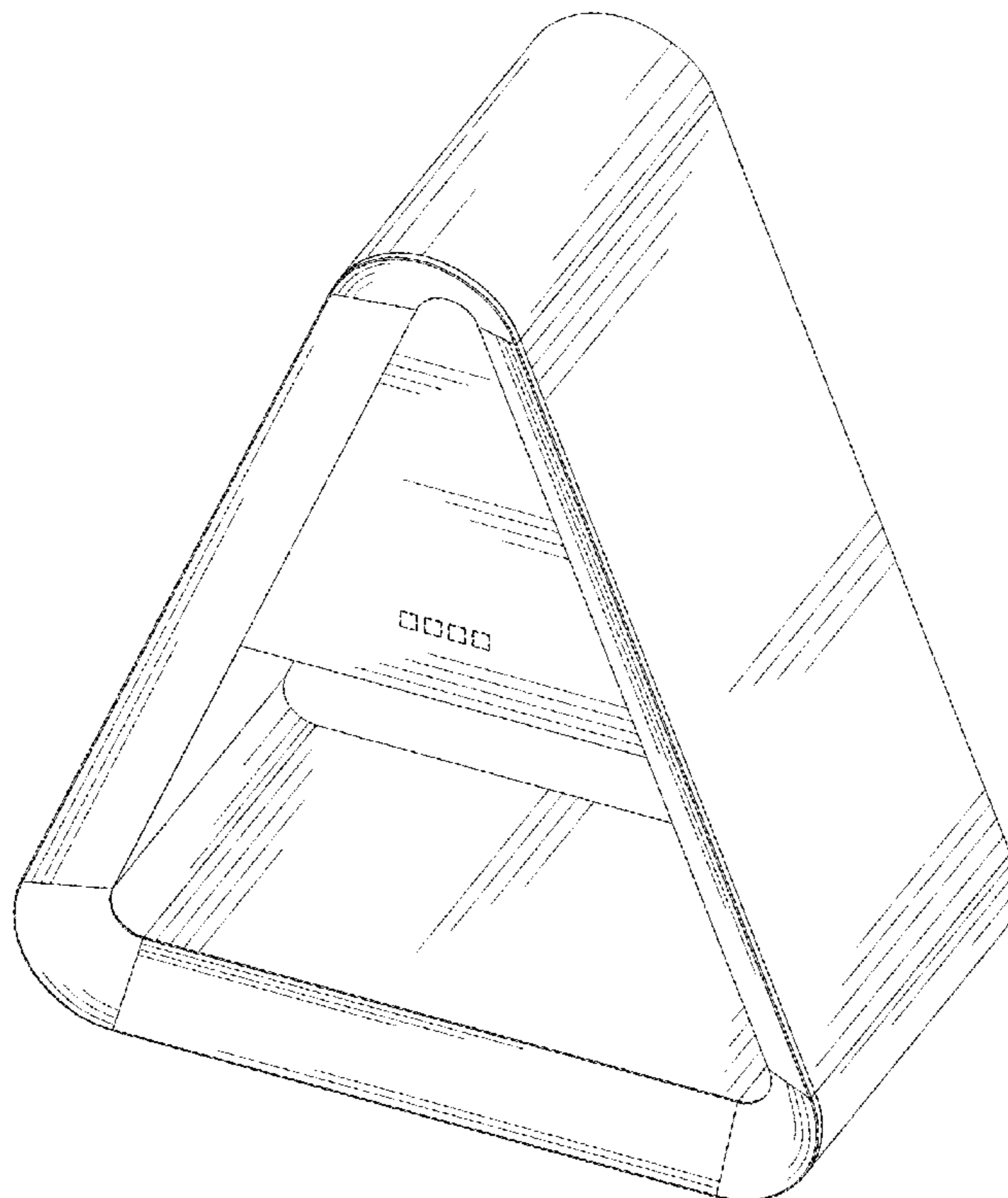
FIG. 1 is a front, top and right side perspective view of a sterilization device showing our new design;
 FIG. 2 is a front, bottom and left side perspective view thereof;
 FIG. 3 is a rear, bottom and left side perspective view thereof;
 FIG. 4 is a front elevational view thereof;
 FIG. 5 is a rear elevational view thereof;
 FIG. 6 is a left side elevational view thereof;
 FIG. 7 is a right side elevational view thereof;
 FIG. 8 is a top plan view thereof; and,
 FIG. 9 is a bottom plan view thereof.
 The broken lines illustrate portions of the sterilization device that form no part of the claimed design.

(56) **References Cited**

U.S. PATENT DOCUMENTS

- D301,611 S * 6/1989 Peterson D24/217
- D342,992 S * 1/1994 Robertson D23/270

1 Claim, 9 Drawing Sheets



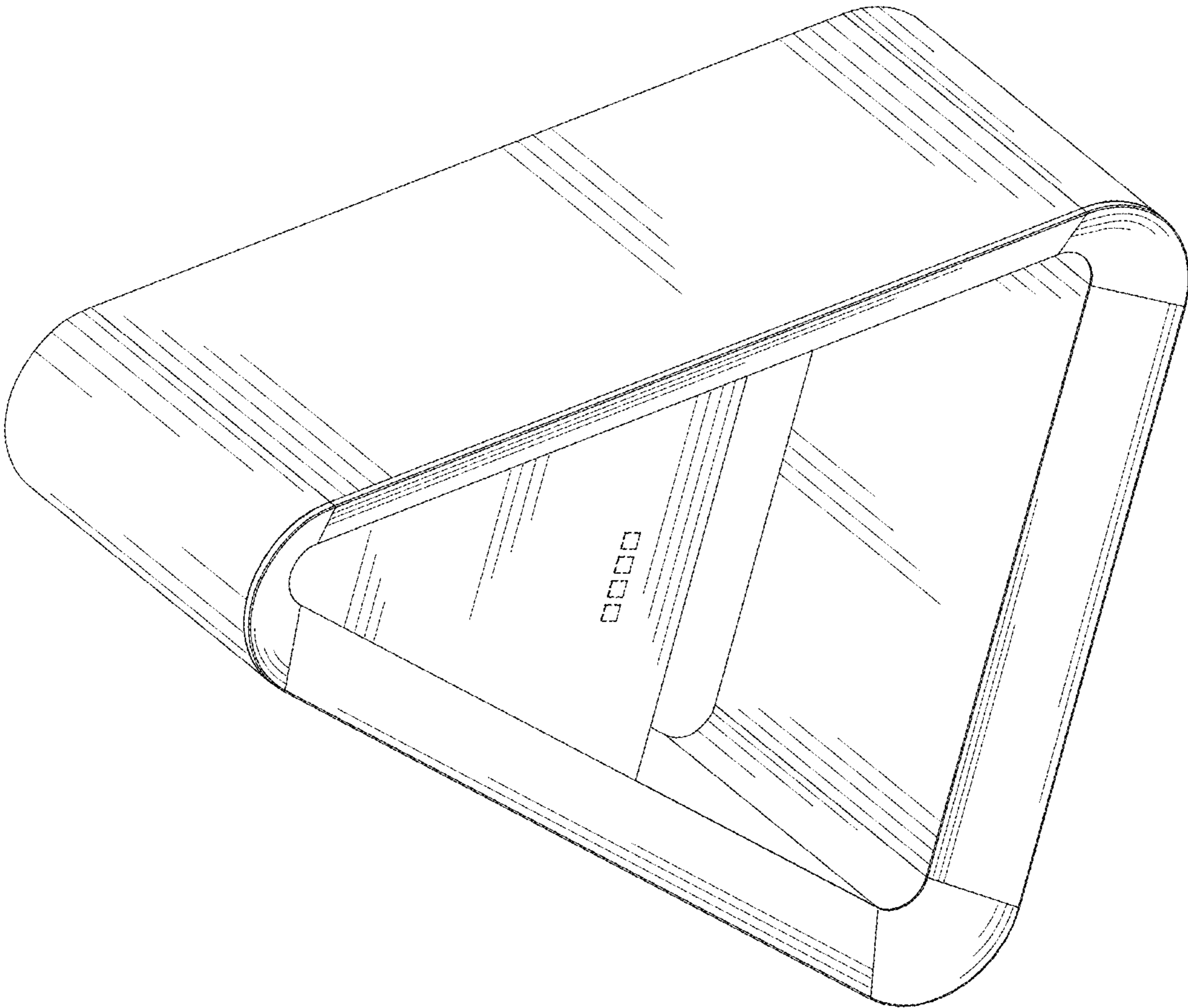


FIG. 1

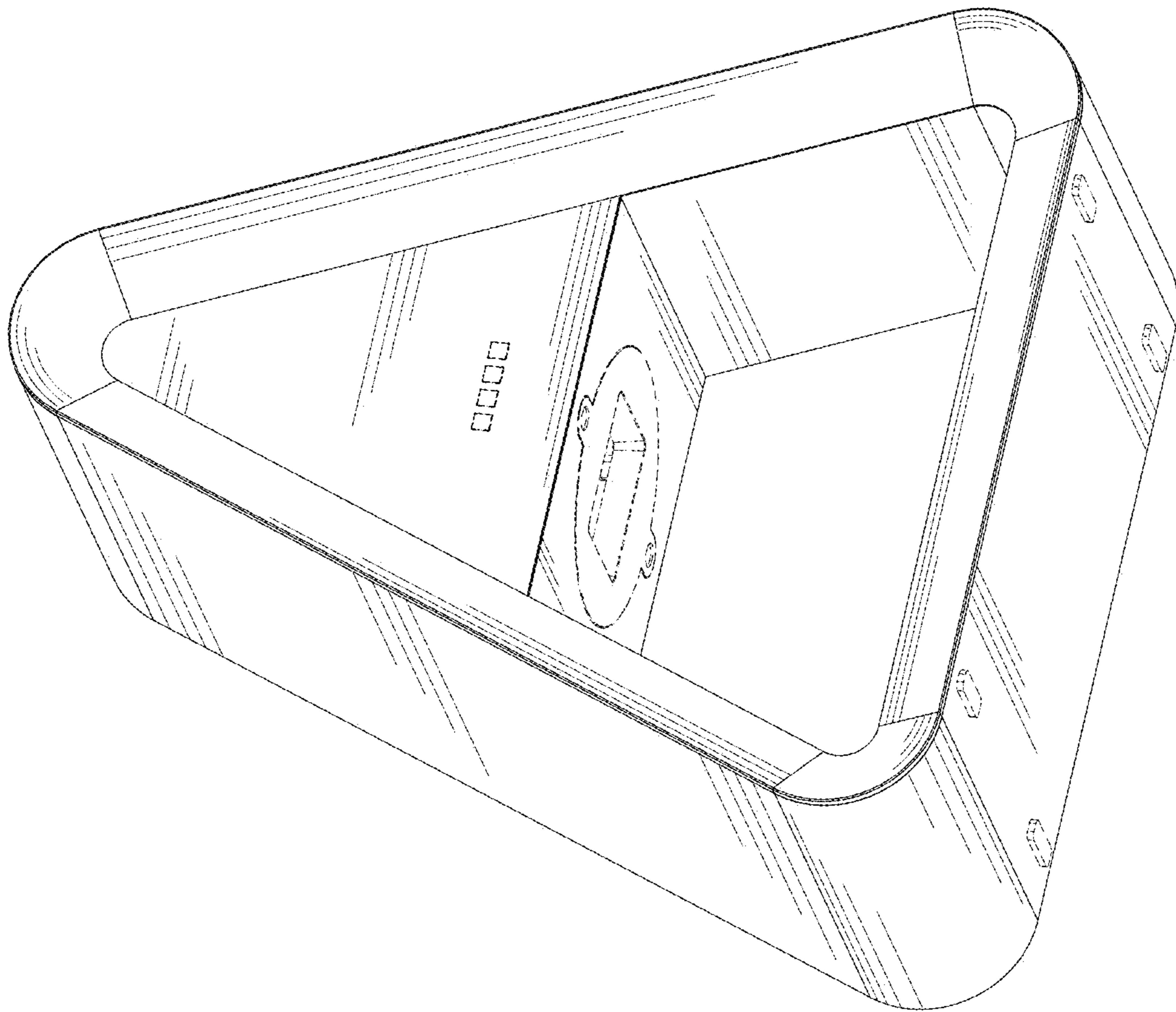


FIG. 2

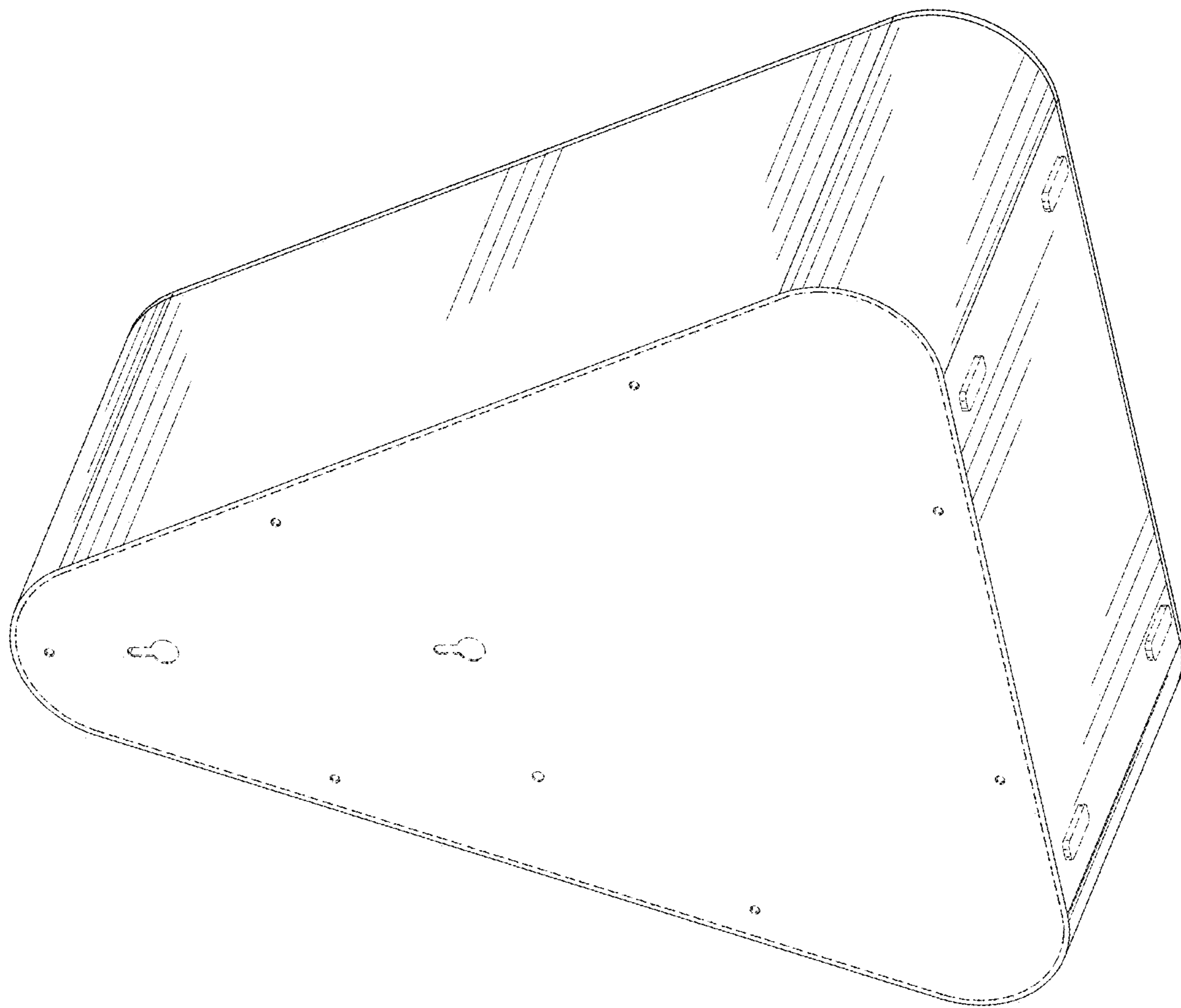


FIG. 3

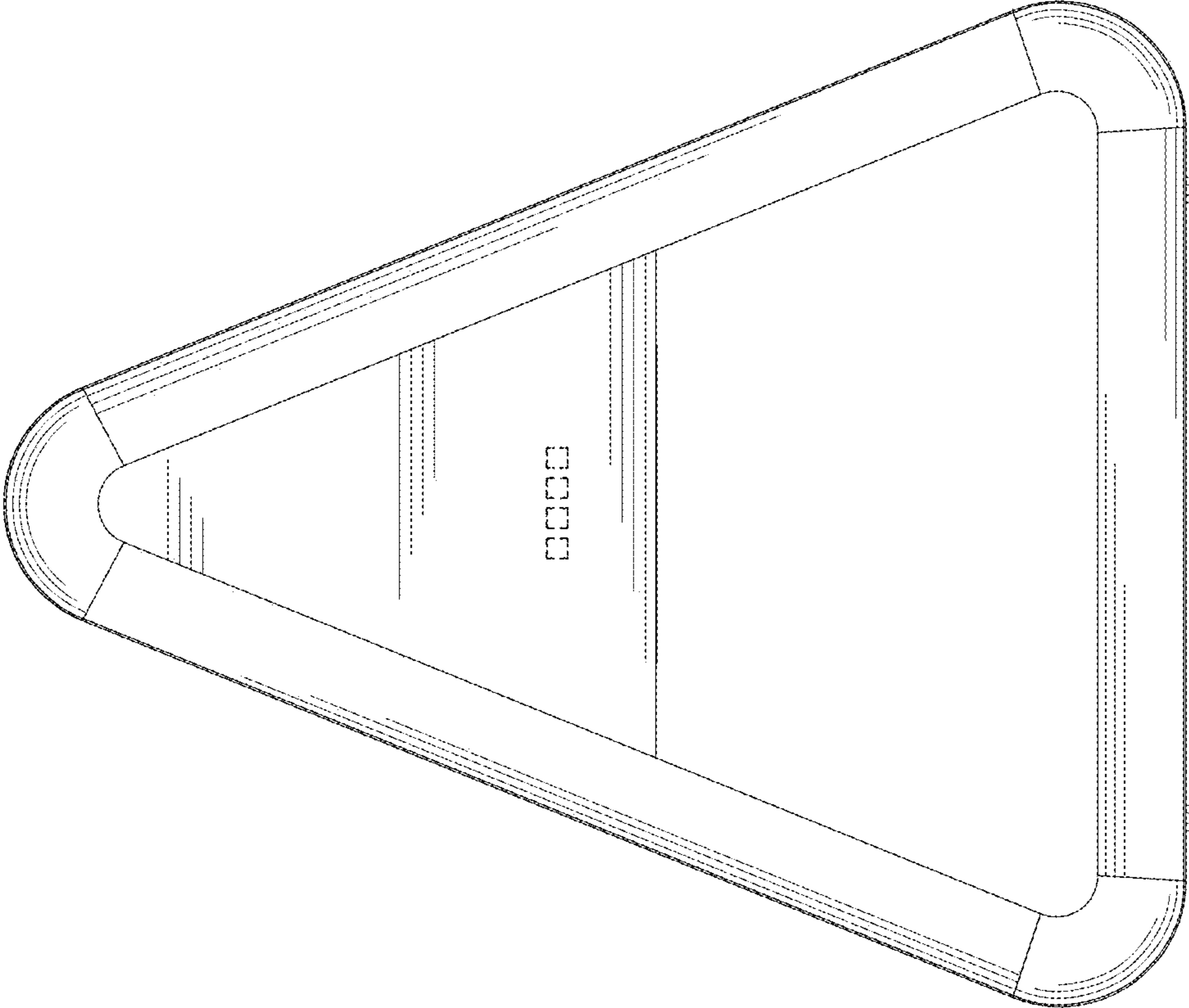


FIG. 4

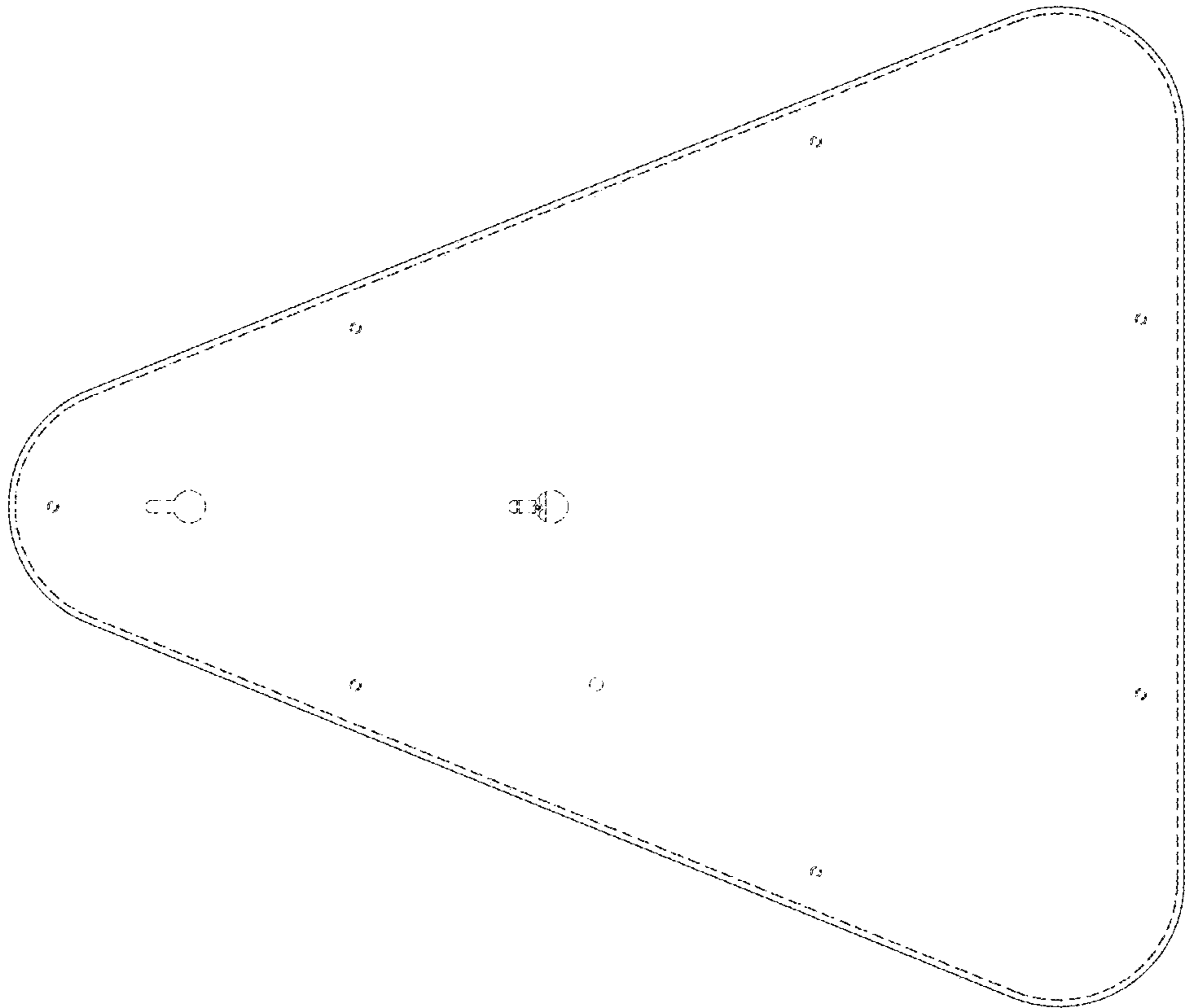


FIG. 5

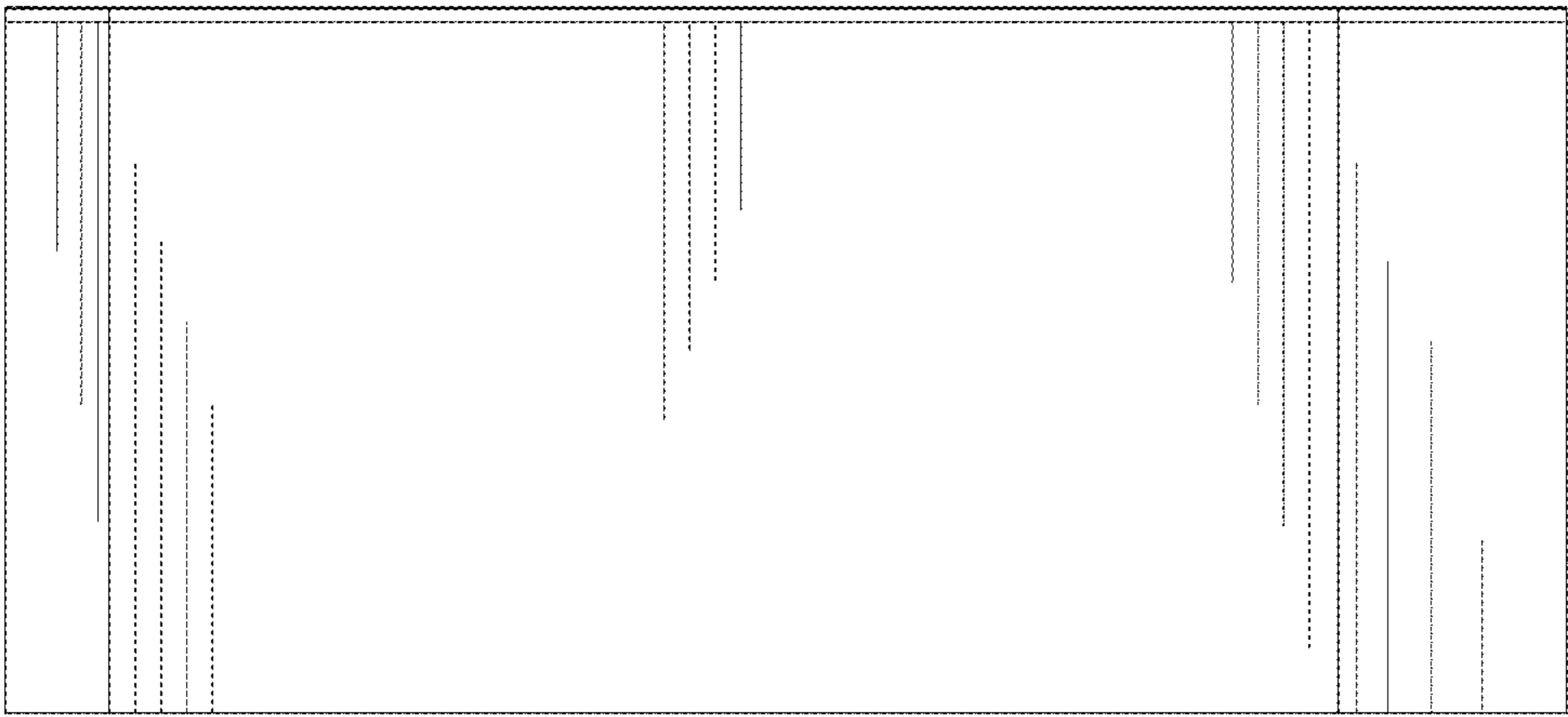


FIG. 6

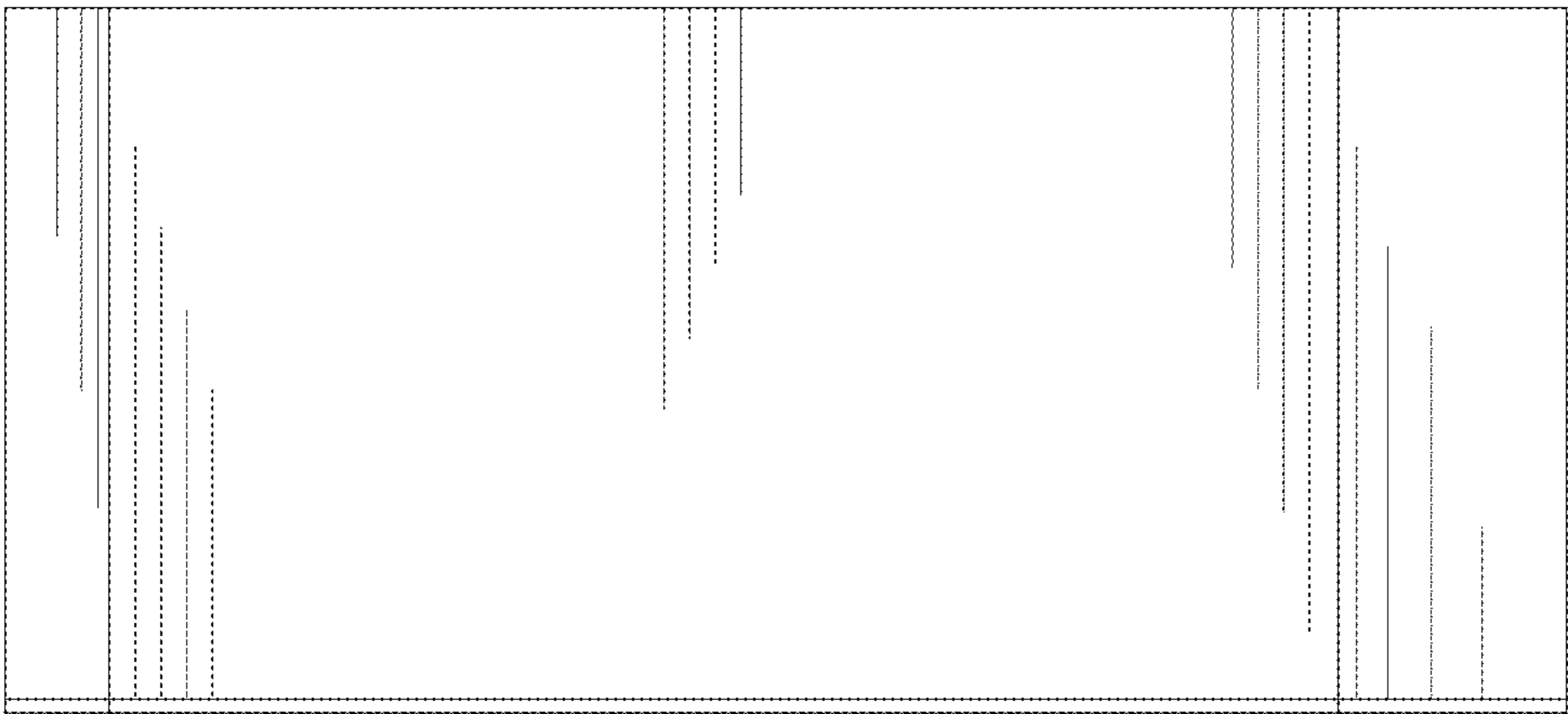


FIG. 7

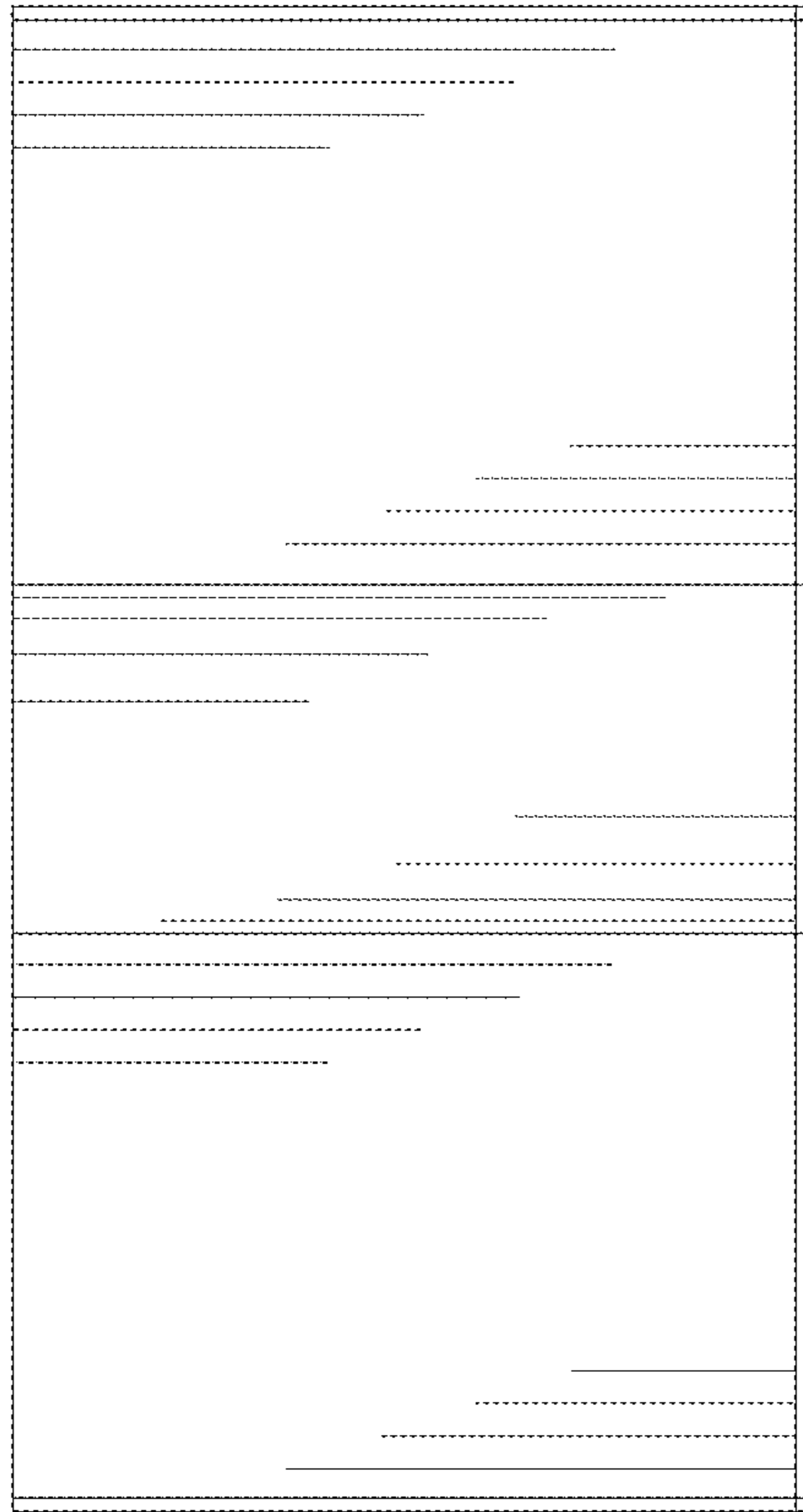


FIG. 8

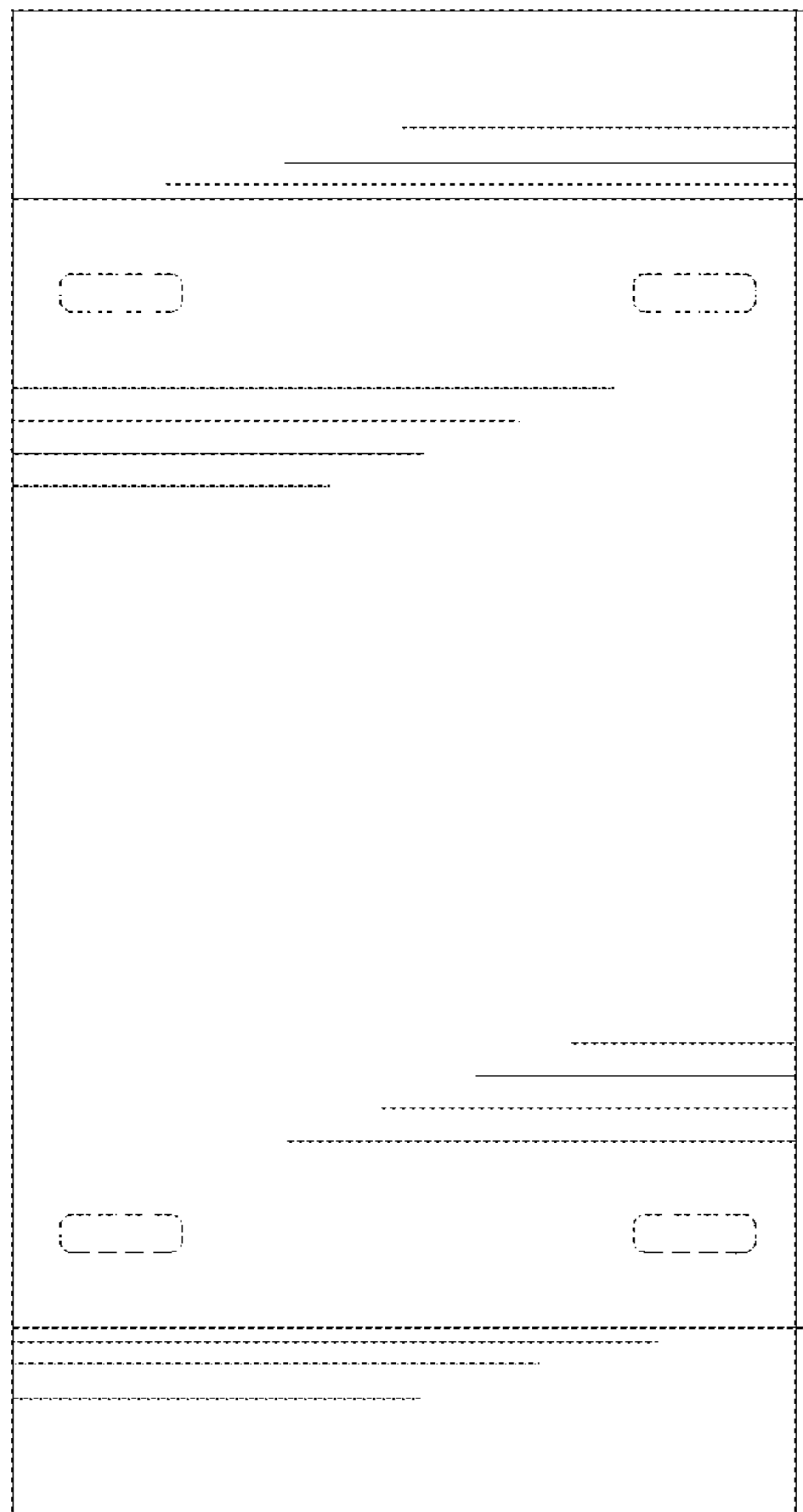


FIG. 9