



US00D977139S

(12) **United States Design Patent**  
**Lai et al.**

(10) **Patent No.:** **US D977,139 S**  
(45) **Date of Patent:** **\*\* Jan. 31, 2023**

(54) **STERILIZATION DEVICE**  
(71) Applicant: **Delta Electronics, Inc.**, Taoyuan (TW)  
(72) Inventors: **Pin-Chen Lai**, Taoyuan (TW);  
**Chih-Hsien Wang**, Taoyuan (TW);  
**Po-Yen Chen**, Taoyuan (TW)  
(73) Assignee: **DELTA ELECTRONICS, INC.**,  
Taoyuan (TW)

JP D1624222 1/2019  
JP D1624222 S 2/2019  
KR 301094654 2/2021

(\*\*) Term: **15 Years**

(21) Appl. No.: **29/781,200**

(22) Filed: **Apr. 28, 2021**

(51) **LOC (14) Cl.** ..... **24-01**

(52) **U.S. Cl.**  
USPC ..... **D24/217**

(58) **Field of Classification Search**  
USPC ..... D24/216, 217, 218, 219, 231, 232, 234,  
D24/209, 210, 158; D32/1; D23/270;  
D28/54.1

CPC . A61L 2/0082; A61L 2/22; A61L 2/10; A61L  
2/0041; A61L 2/24; A61L 2202/11; A61L  
2202/121; A61L 2202/14; A61L 2202/15;  
A61L 2202/20; A61L 2202/122

See application file for complete search history.

(56) **References Cited**

**U.S. PATENT DOCUMENTS**

D667,555 S \* 9/2012 Boudier ..... D24/158  
10,967,085 B1 \* 4/2021 Gaskins ..... A61L 2/0082  
D956,262 S \* 6/2022 Ramos ..... D24/217  
2020/0306395 A1 \* 10/2020 Gardiner ..... A61L 2/26  
2021/0023248 A1 \* 1/2021 Townsend ..... A61L 2/10  
2021/0322615 A1 \* 10/2021 Ramos ..... A61L 2/16  
2022/0040347 A1 \* 2/2022 Belkadhi ..... A61L 2/28  
2022/0062453 A1 \* 3/2022 Willis ..... A61L 2/0047

**FOREIGN PATENT DOCUMENTS**

CN 202030057696.8 \* 7/2020  
CN 306054660 S 9/2020  
CN 306369514 S 3/2021

**OTHER PUBLICATIONS**

Public document No. HC18062686700, Product No. KCJ-83J,  
Reference name New air shower "flutter jet" series PC J-86 series.  
Design information extracted from the original materials collected  
by the Japan Patent Office as examination materials. 2006.

\* cited by examiner

*Primary Examiner* — Anhdao Doan

(74) *Attorney, Agent, or Firm* — Kirton McConkie; Evan  
R. Witt

(57) **CLAIM**

The ornamental design for a sterilization device, as shown  
and described.

**DESCRIPTION**

FIG. 1 is a front, top and left side perspective view of a  
sterilization device showing our new design;  
FIG. 2 is a rear, bottom and right side perspective view  
thereof;  
FIG. 3 is a front elevational view thereof;  
FIG. 4 is a rear elevational view thereof;  
FIG. 5 is a left side elevational view thereof;  
FIG. 6 is a right side elevational view thereof;  
FIG. 7 is a top plan view thereof;  
FIG. 8 is a bottom plan view thereof;  
FIG. 9 is an enlarged fragmentary view of the sterilization  
device as identified in portion A of FIG. 2; and,  
FIG. 10 is an enlarged fragmentary view of the sterilization  
device as identified in portion B of FIG. 2.  
The broken lines illustrate portions of the sterilization device  
that form no part of the claimed design.

**1 Claim, 10 Drawing Sheets**

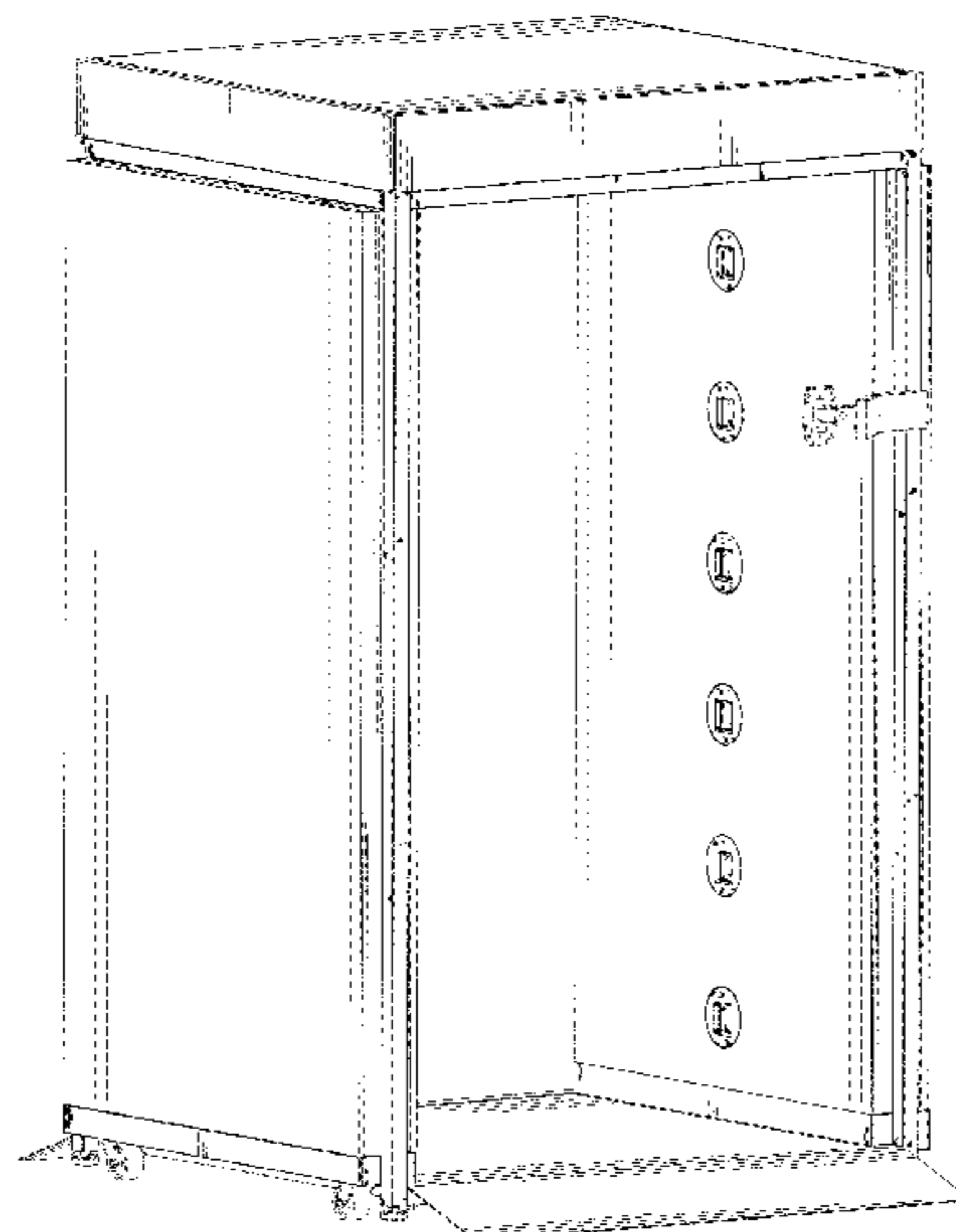




FIG. 1

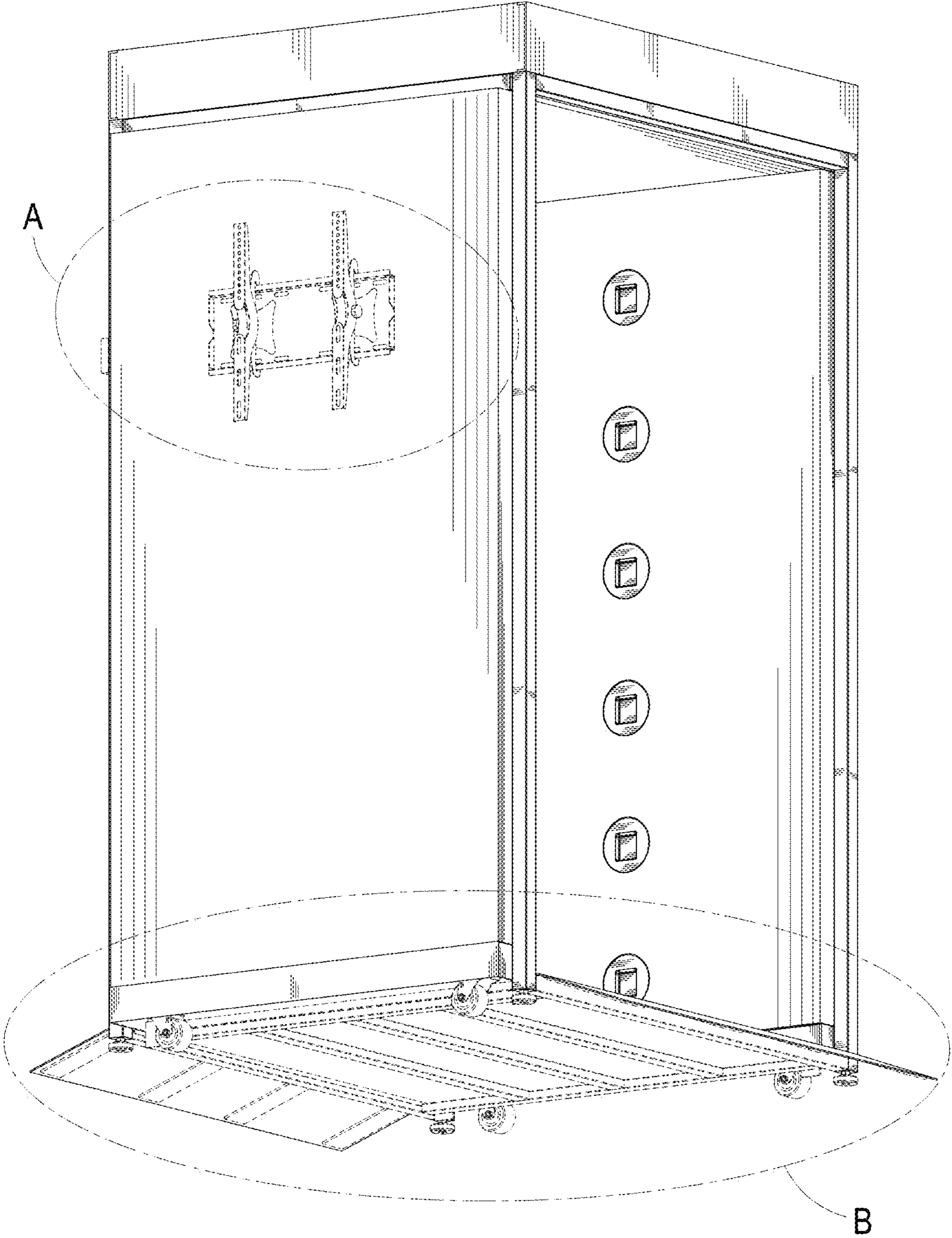


FIG. 2

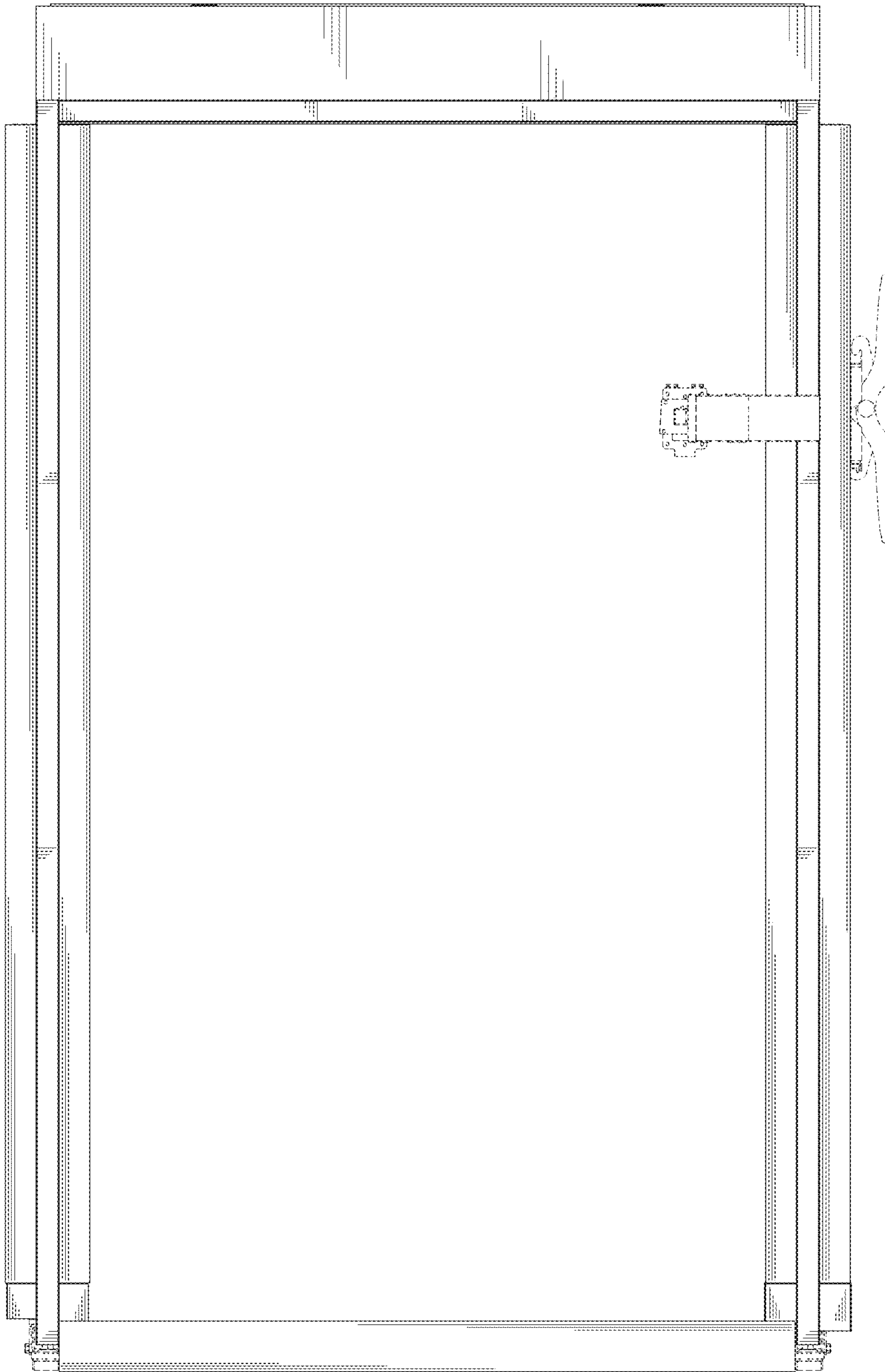


FIG. 3

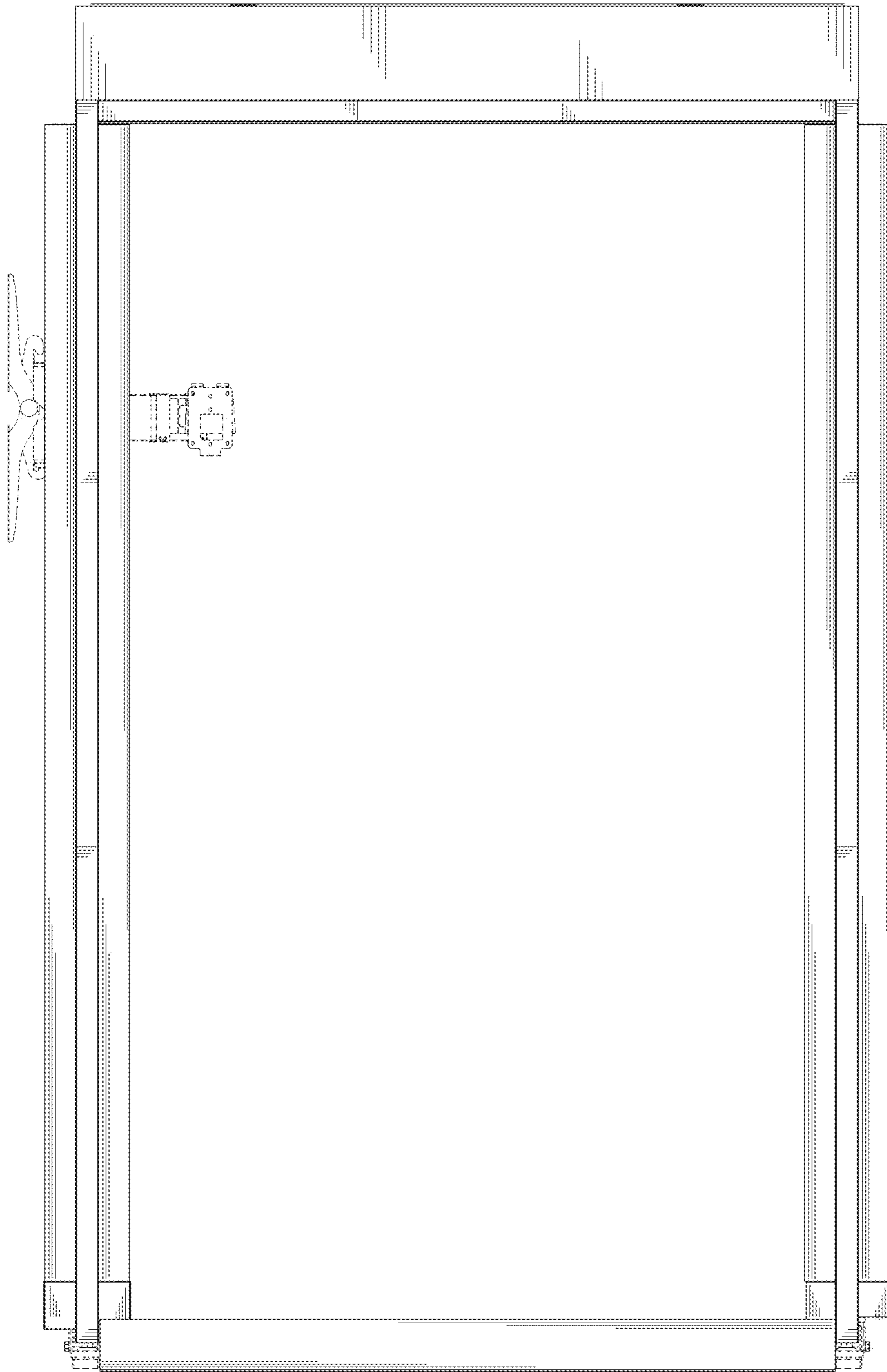


FIG. 4

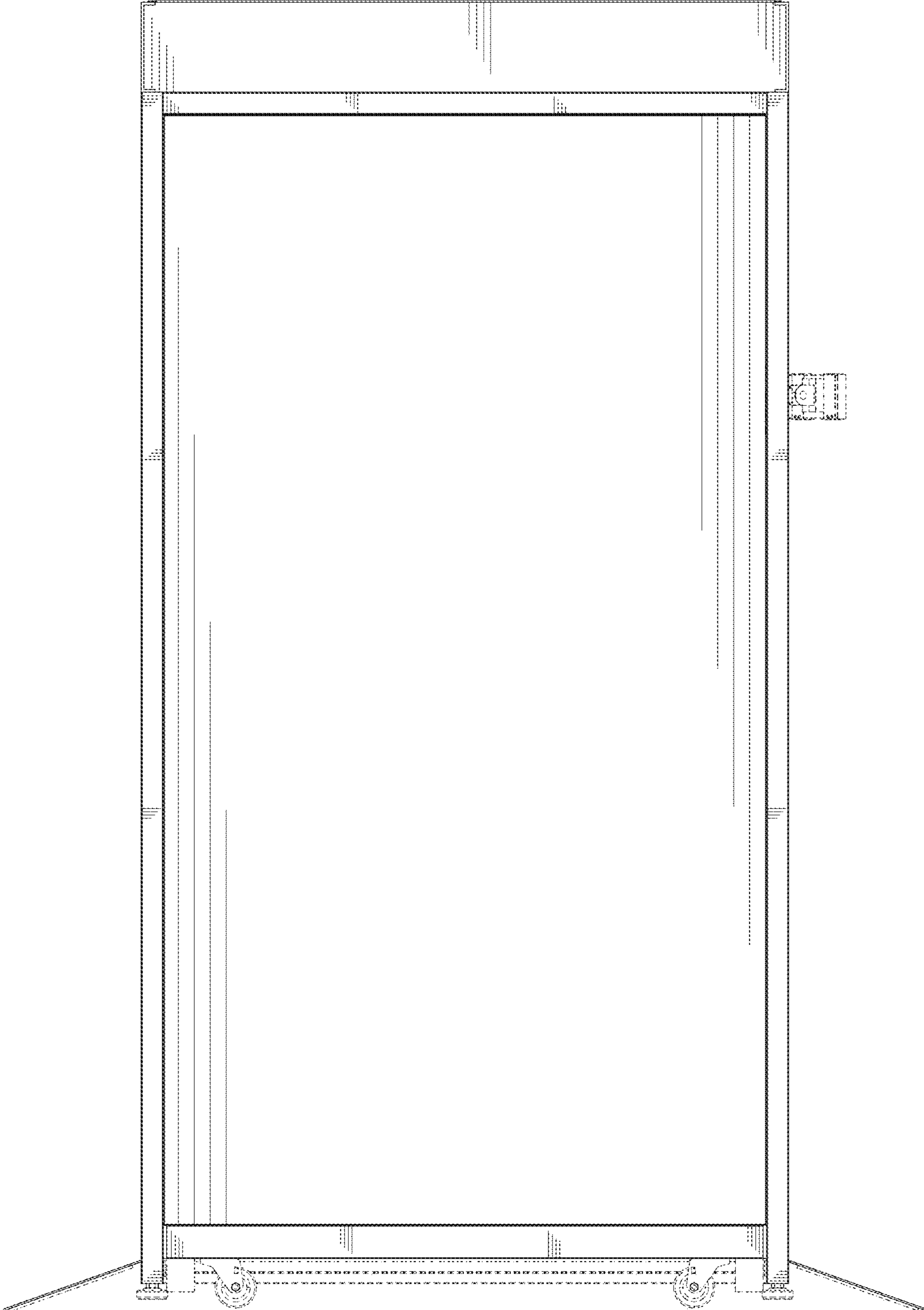


FIG. 5

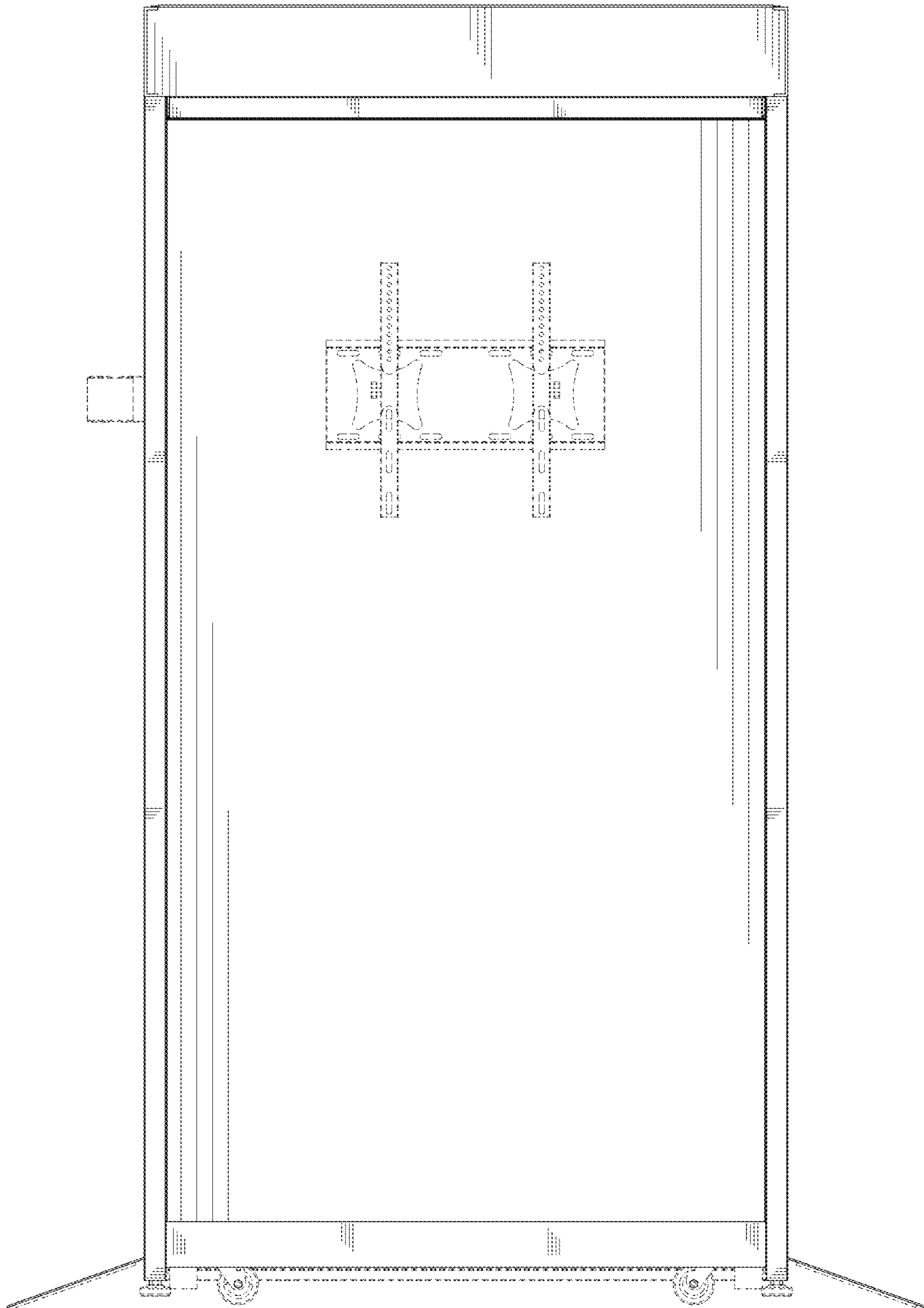


FIG. 6

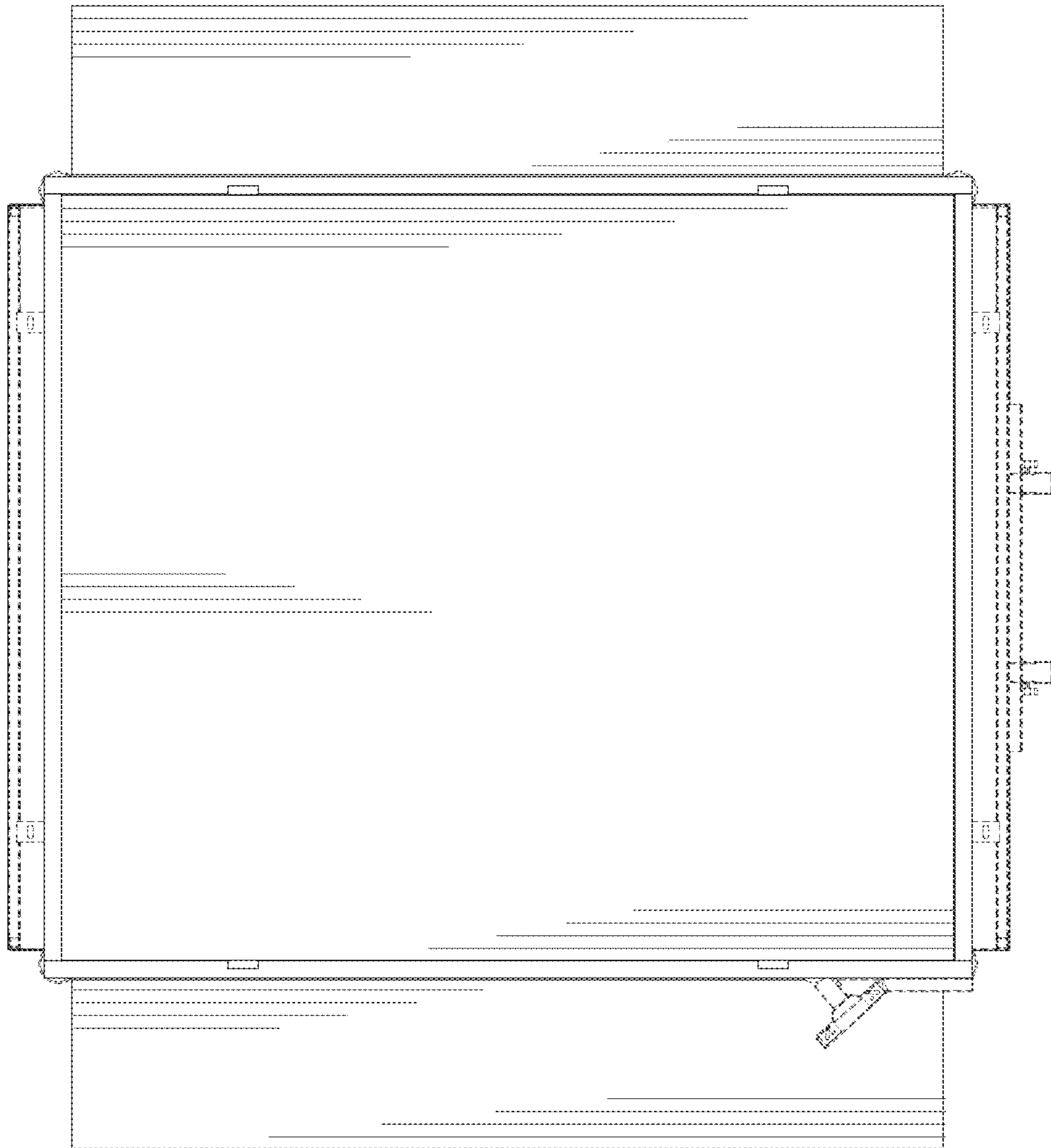


FIG. 7



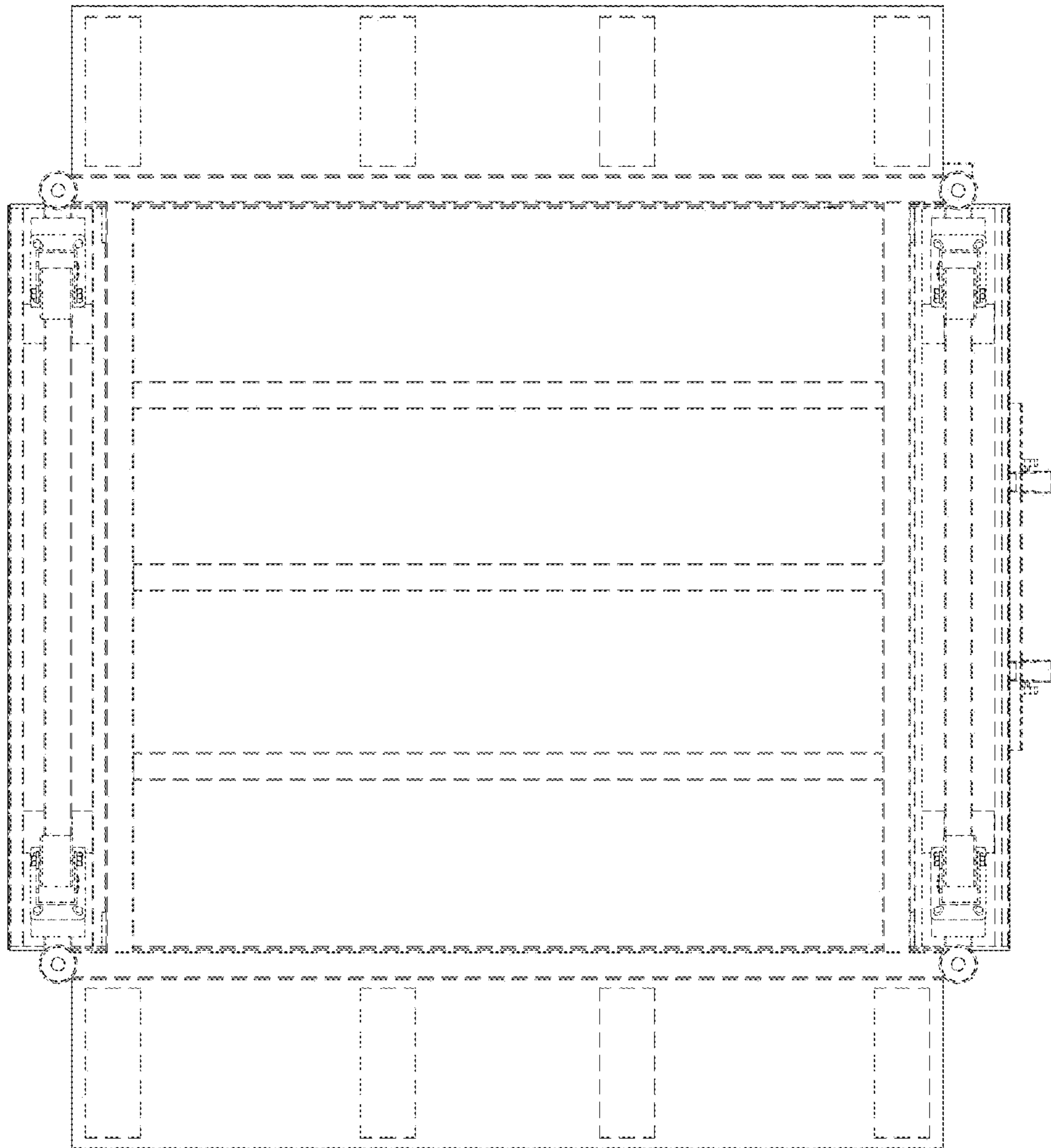


FIG. 8

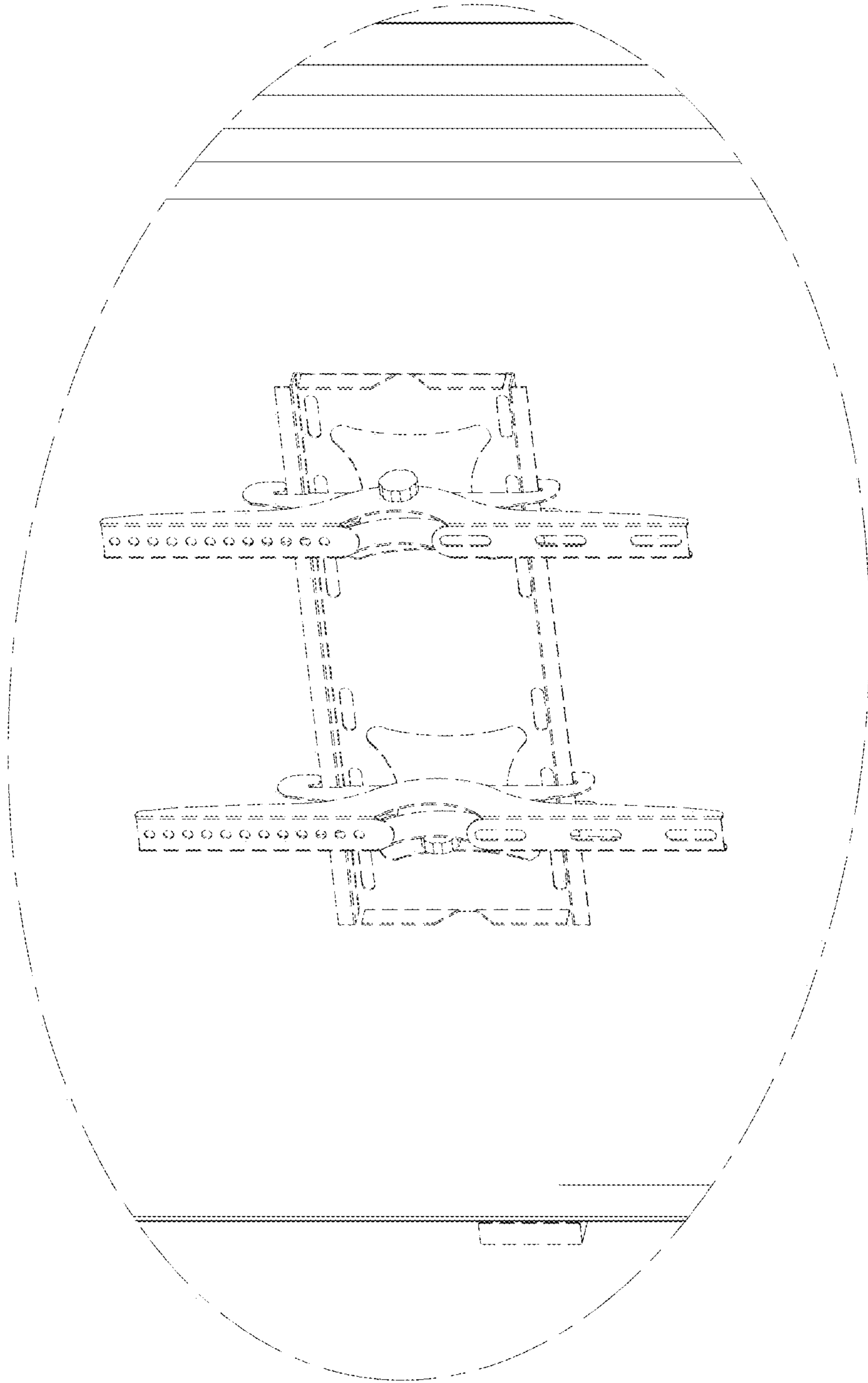


FIG. 9

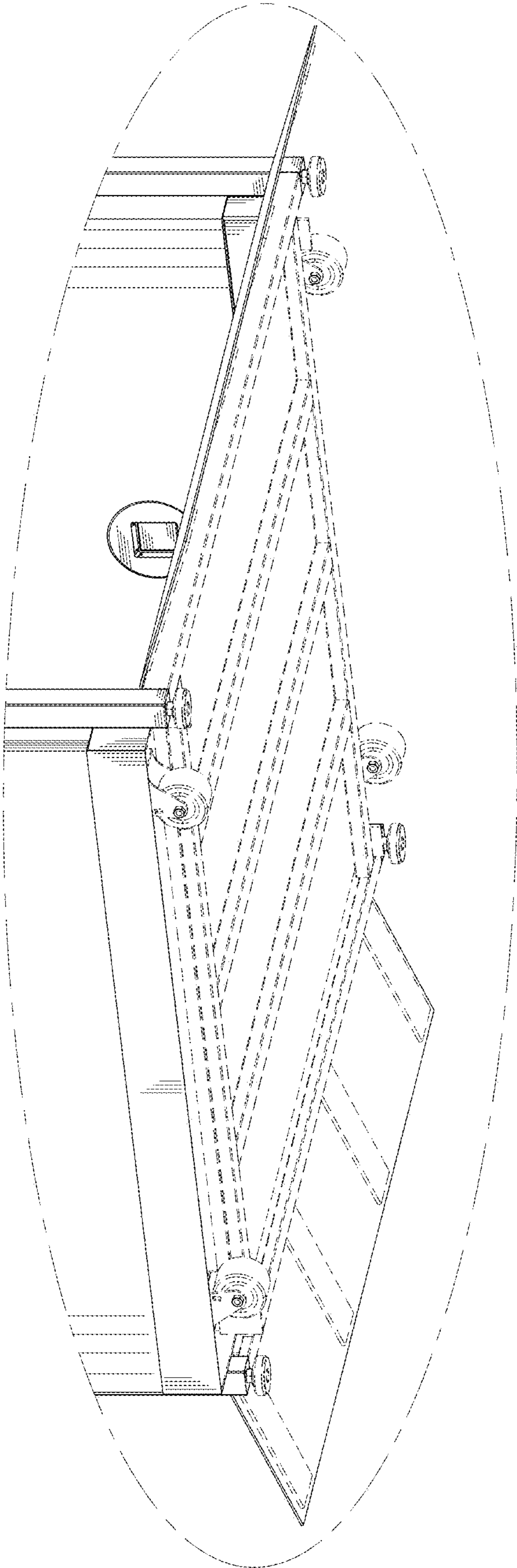


FIG. 10