



US00D977134S

(12) **United States Design Patent** (10) **Patent No.:** **US D977,134 S**  
**Wersland et al.** (45) **Date of Patent:** **\*\* Jan. 31, 2023**

(54) **PERCUSSIVE MASSAGE DEVICE**

(56) **References Cited**

(71) Applicant: **Therabody, Inc.**, Los Angeles, CA (US)  
(72) Inventors: **Jason Wersland**, Los Angeles, CA (US); **Benjamin Nazarian**, Los Angeles, CA (US); **Jaime Sanchez Solana**, Los Angeles, CA (US); **Eduardo Merino**, Los Angeles, CA (US); **Trent Hernandez**, Los Angeles, CA (US)

U.S. PATENT DOCUMENTS

1,594,636 A 8/1926 Smith  
1,784,301 A 12/1930 Mekler  
3,968,789 A 7/1976 Simoncini  
4,691,693 A 9/1987 Sato  
4,989,613 A 2/1991 Finkenberg  
D329,291 S 9/1992 Wollman  
D329,292 S 9/1992 Wollman  
D331,467 S 12/1992 Wollman  
D388,175 S 12/1997 Lie

(Continued)

(73) Assignee: **Therabody, Inc.**, Los Angeles, CA (US)

(\*\*) Term: **15 Years**

(21) Appl. No.: **29/828,340**

(22) Filed: **Feb. 25, 2022**

OTHER PUBLICATIONS

Amazon, "Theragun G3PRO Percussive Therapy Device", Feb. 13, 2019. [https://www.amazon.com/dp/B07MJ2MCT3/ref=nav\\_timeline\\_asin?\\_encoding=UTF8&psc=1](https://www.amazon.com/dp/B07MJ2MCT3/ref=nav_timeline_asin?_encoding=UTF8&psc=1). Shown on p. 1 (Year: 2019).

(Continued)

*Primary Examiner* — Michael A Maharajh  
(74) *Attorney, Agent, or Firm* — Sterne, Kessler, Goldstein & Fox P.L.L.C.

**Related U.S. Application Data**

(60) Continuation of application No. 29/728,608, filed on Mar. 19, 2020, now Pat. No. Des. 949,390, which is a division of application No. 29/708,804, filed on Oct. 9, 2019, now Pat. No. Des. 879,985, which is a continuation-in-part of application No. 29/674,838, filed on Dec. 26, 2018, now Pat. No. Des. 880,715.

(51) **LOC (14) Cl.** ..... **28-03**

(52) **U.S. Cl.**  
USPC ..... **D24/215**

(58) **Field of Classification Search**  
USPC ..... D24/200, 211, 212, 213, 214, 215;  
D8/14.1; D28/13  
CPC . A61H 2201/1635; A61H 23/006; A61H 1/00  
See application file for complete search history.

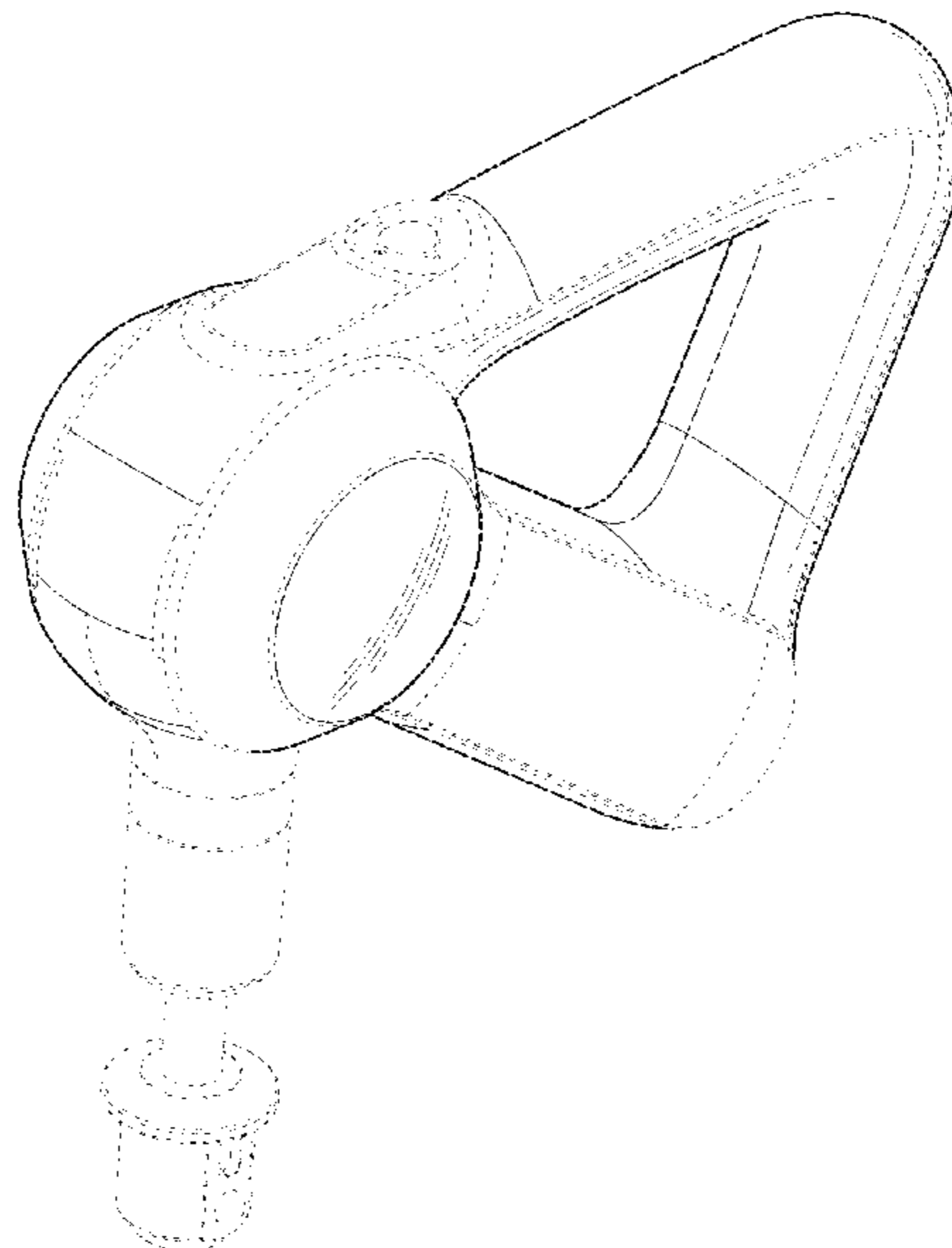
(57) **CLAIM**

The ornamental design for a percussive massage device, as shown and described.

**DESCRIPTION**

FIG. 1 is a top perspective view of a percussive massage device, showing our new design;  
FIG. 2 is a right side elevational view, the left side elevational view being a mirror image thereof;  
FIG. 3 is a front elevational view thereof;  
FIG. 4 is a rear elevational view thereof;  
FIG. 5 is a top plan view thereof;  
FIG. 6 is a bottom plan view thereof; and,  
FIG. 7 is a bottom perspective view thereof.  
The broken lines in the figures show portions of the percussive massage device that form no part of the claimed design.

**1 Claim, 5 Drawing Sheets**



(56)

References Cited

U.S. PATENT DOCUMENTS

5,925,002 A 7/1999 Wollman  
D430,938 S 9/2000 Lee  
D448,852 S 10/2001 Engelen  
6,401,289 B1 6/2002 Herbert  
D476,746 S 7/2003 Harris  
D531,733 S 11/2006 Burout, III  
D553,252 S 10/2007 Masuda  
D606,192 S 12/2009 Summerer  
D649,657 S 11/2011 Petersen  
D658,759 S 5/2012 Marescaux  
8,435,194 B2 5/2013 Dverin  
D703,337 S 4/2014 Fuhr  
D706,433 S 6/2014 Fuhr  
D708,742 S 7/2014 Dallemagne  
D734,863 S 7/2015 Hennessey  
D735,348 S 7/2015 Hennessey  
D759,237 S 6/2016 Heath  
D759,238 S 6/2016 Heath  
D763,442 S 8/2016 Price  
D778,439 S 2/2017 Hakansson  
D819,221 S 5/2018 Lei  
D823,478 S 7/2018 Park  
D837,395 S 1/2019 Gan  
D838,378 S 1/2019 Cao  
D840,547 S 2/2019 Harle  
D842,491 S 3/2019 Fleming  
D843,656 S 3/2019 Zhang  
D844,896 S 4/2019 Levi  
D847,362 S 4/2019 Tang  
D847,364 S 4/2019 Lee  
D847,990 S 5/2019 Kimball  
10,314,762 B1 6/2019 Marton  
10,357,425 B2 7/2019 Wersland  
D855,822 S 8/2019 Marton  
10,428,850 B2 10/2019 Wersland  
10,470,970 B2 11/2019 Nazarian  
D872,869 S 1/2020 Lu  
D877,351 S 3/2020 Wersland  
D879,985 S 3/2020 Wersland  
D879,986 S 3/2020 Wersland  
D880,714 S 4/2020 Wersland  
D880,715 S 4/2020 Wersland  
D880,716 S \* 4/2020 Wersland ..... D24/215  
D884,915 S 5/2020 Wersland  
D885,601 S 5/2020 Wersland  
D887,573 S \* 6/2020 Wersland ..... D24/215  
10,714,953 B1 7/2020 Solana  
D896,396 S \* 9/2020 Wersland ..... D24/215  
10,857,064 B2 12/2020 Wersland  
10,912,707 B2 2/2021 Wersland  
D912,268 S 3/2021 Xiang  
D912,835 S 3/2021 Ren  
10,940,081 B2 3/2021 Nazarian  
10,959,911 B2 3/2021 Wersland

D921,914 S 6/2021 Wersland  
D930,179 S 9/2021 Zhu  
D949,390 S \* 4/2022 Wersland ..... D24/215  
D949,391 S \* 4/2022 Wersland ..... D24/215  
D949,392 S \* 4/2022 Wersland ..... D24/215  
D949,401 S \* 4/2022 Lee ..... D24/215  
2002/0177795 A1 11/2002 Frye  
2002/0188233 A1 12/2002 Denyes  
2003/0195443 A1 10/2003 Miller  
2005/0131461 A1 6/2005 Tucek  
2006/0116614 A1 6/2006 Jones  
2006/0211961 A1 9/2006 Meyer  
2010/0145242 A1 6/2010 Tsai  
2010/0160841 A1 6/2010 Wu  
2010/0274162 A1 10/2010 Evans  
2012/0197357 A1 8/2012 Dewey  
2013/0030506 A1 1/2013 Bartolone  
2014/0221887 A1 8/2014 Wu  
2015/0119771 A1 4/2015 Roberts  
2016/0367425 A1 12/2016 Wersland  
2017/0304145 A1 10/2017 Pepe  
2018/0154141 A1 6/2018 Ahn  
2018/0200141 A1 7/2018 Wersland  
2018/0263845 A1 9/2018 Wersland  
2019/0175434 A1 6/2019 Zhang  
2019/0254921 A1 8/2019 Marton  
2019/0254922 A1 8/2019 Marton  
2020/0069510 A1 3/2020 Wersland  
2020/0214930 A1 7/2020 Wersland  
2020/0261306 A1 8/2020 Pepe  
2020/0261307 A1 8/2020 Wersland  
2020/0268594 A1 8/2020 Pepe  
2020/0289365 A1 \* 9/2020 Wersland ..... A61H 1/008  
2020/0343746 A1 \* 10/2020 Solana ..... H02J 7/0044  
2020/0352820 A1 11/2020 Nazarian  
2020/0390645 A1 \* 12/2020 Wersland ..... A61H 23/006  
2020/0405574 A1 12/2020 Wersland  
2021/0022955 A1 \* 1/2021 Wersland ..... A61B 5/4806  
2021/0059898 A1 3/2021 Wersland  
2021/0154092 A1 \* 5/2021 Wersland ..... A61H 23/00  
2021/0169733 A1 \* 6/2021 Wersland ..... A61H 23/0254  
2021/0177692 A1 \* 6/2021 Nazarian ..... H02K 11/26  
2021/0244610 A1 8/2021 Wersland  
2021/0244611 A1 8/2021 Wersland  
2022/0047453 A1 \* 2/2022 Wersland ..... A61H 23/0254

OTHER PUBLICATIONS

Amazon, "Theragun Elite", May 4, 2020. [https://www.amazon.com/Theragun-Elite-Generation-Percussive-Treatment/dp/B086Z6XSW4?ref=ast\\_sto\\_dp&th=1](https://www.amazon.com/Theragun-Elite-Generation-Percussive-Treatment/dp/B086Z6XSW4?ref=ast_sto_dp&th=1). Shown on p. 1. (Year: 2020).  
Amazon.uk "Theragun Elite\_White", Aug. 17, 2020. <https://www.amazon.co.uk/Theragun-Elite-Generation-Percussive-Treatment/dp/B08G38R3VD?th=1>. Shown on p. 1. (Year: 2020).

\* cited by examiner

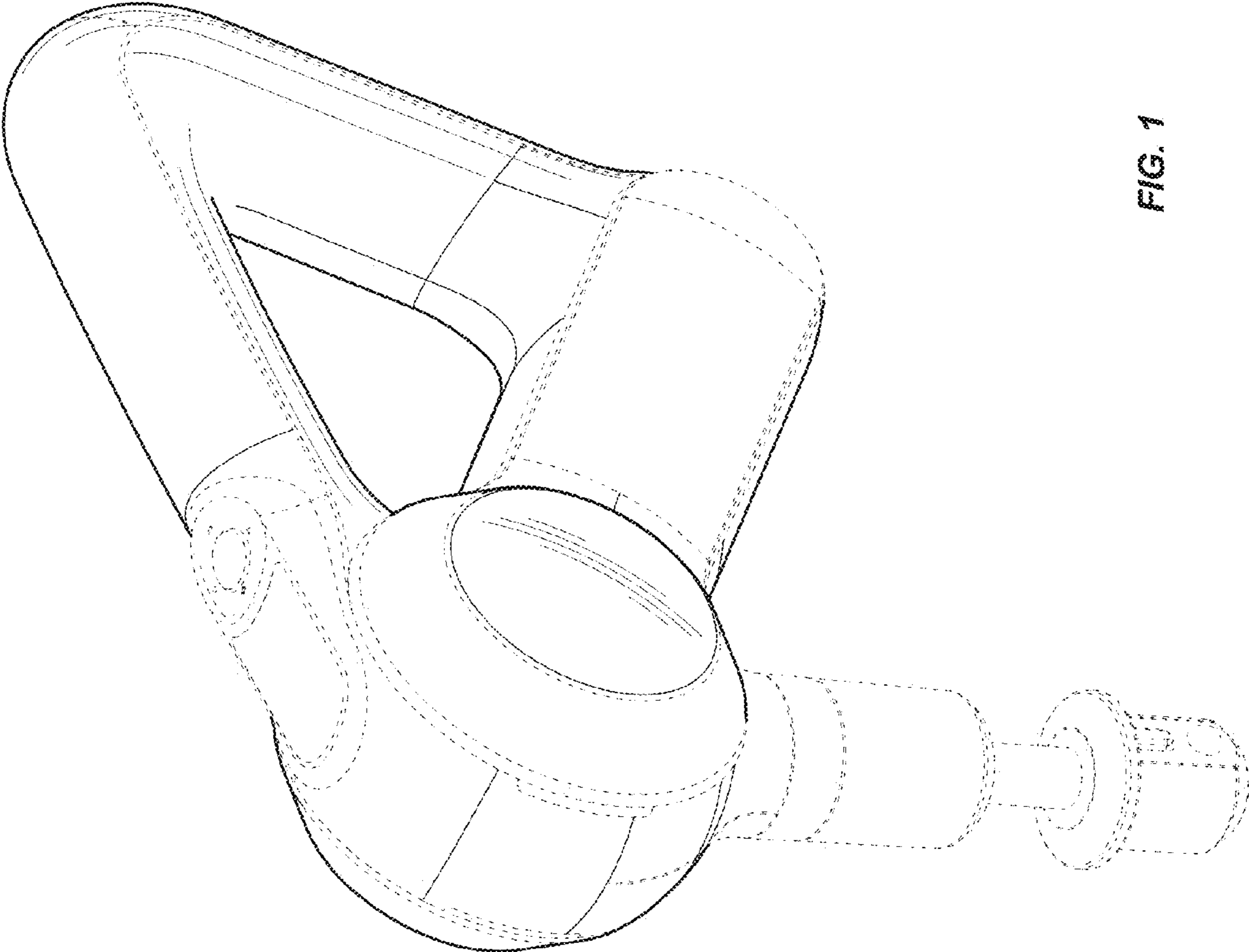


FIG. 1

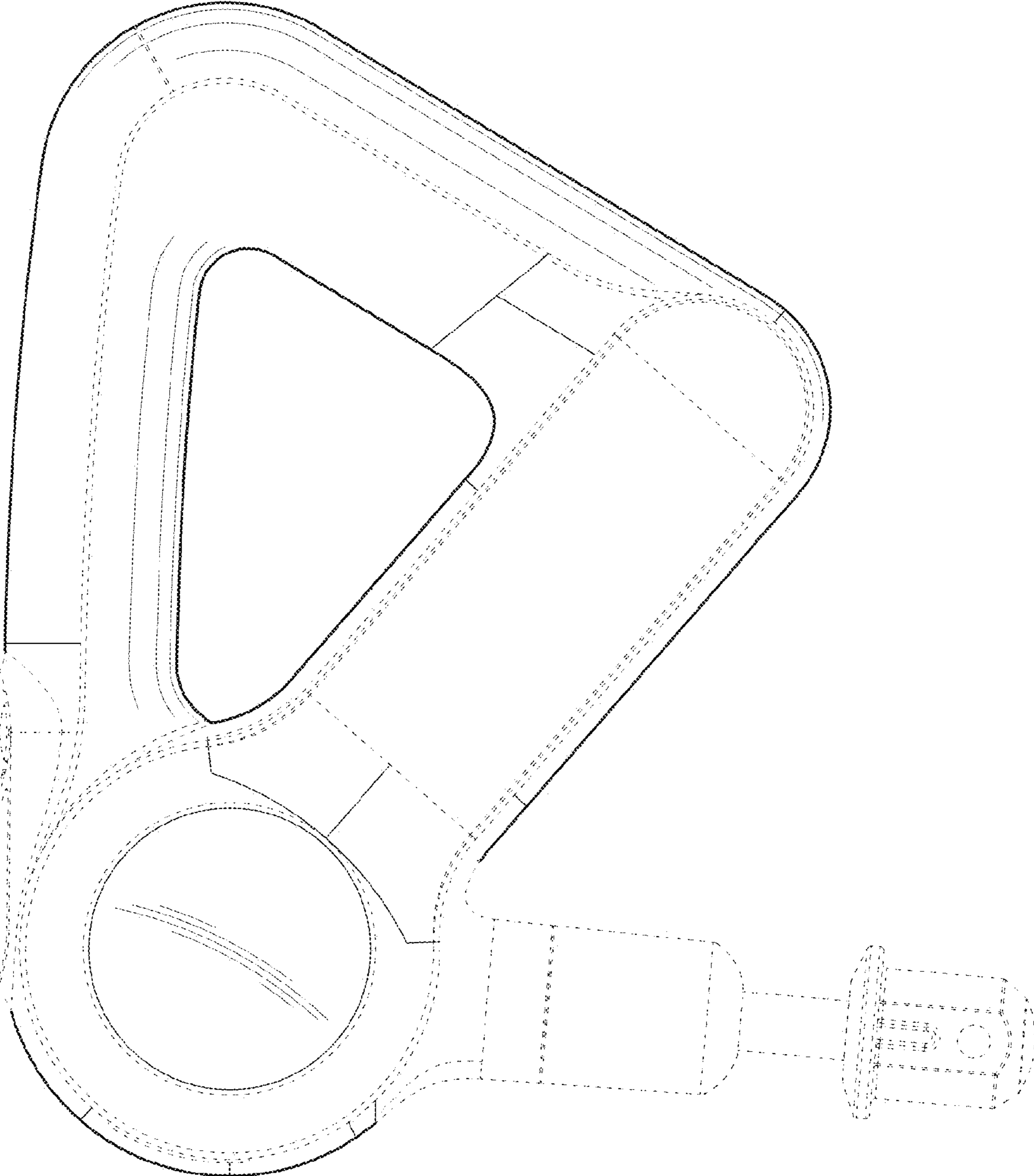


FIG. 2

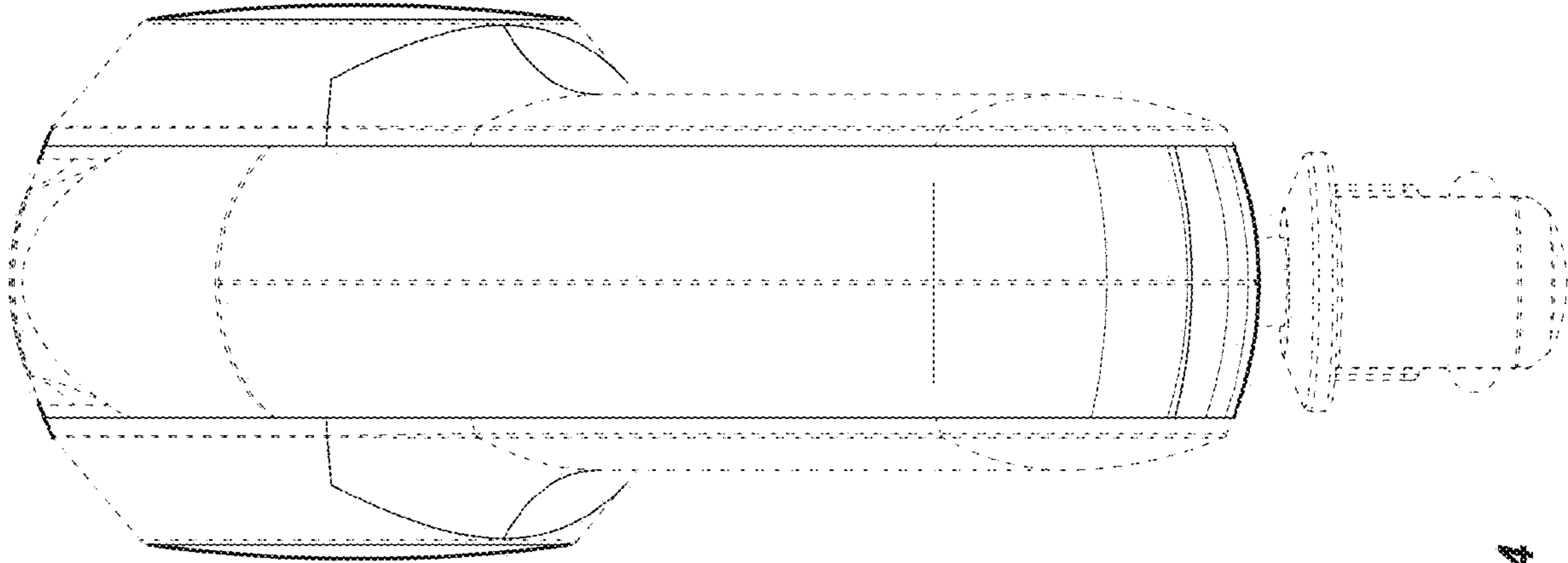


FIG. 4

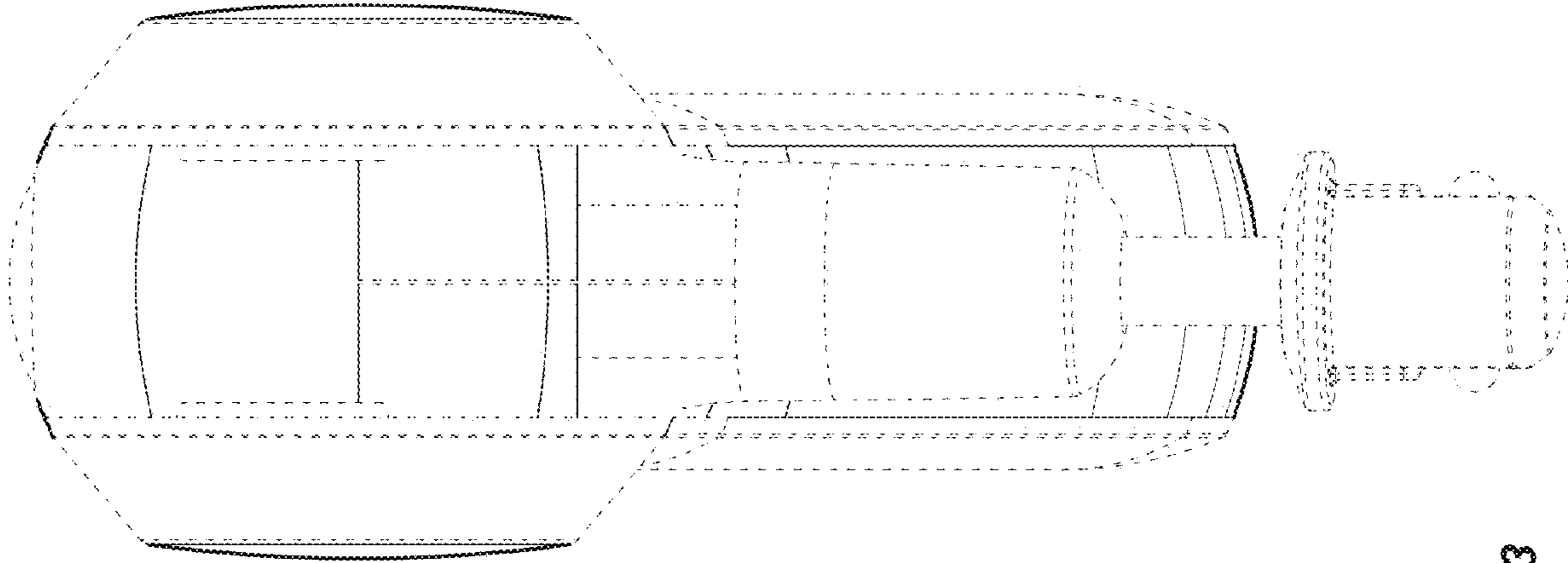


FIG. 3

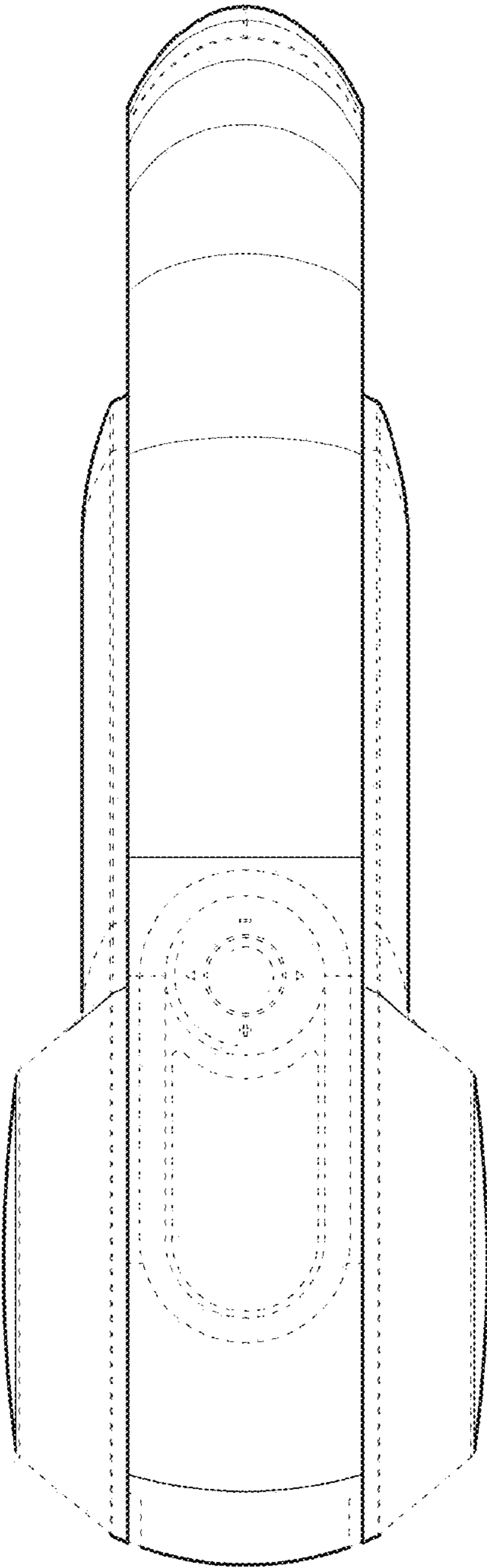


FIG. 5

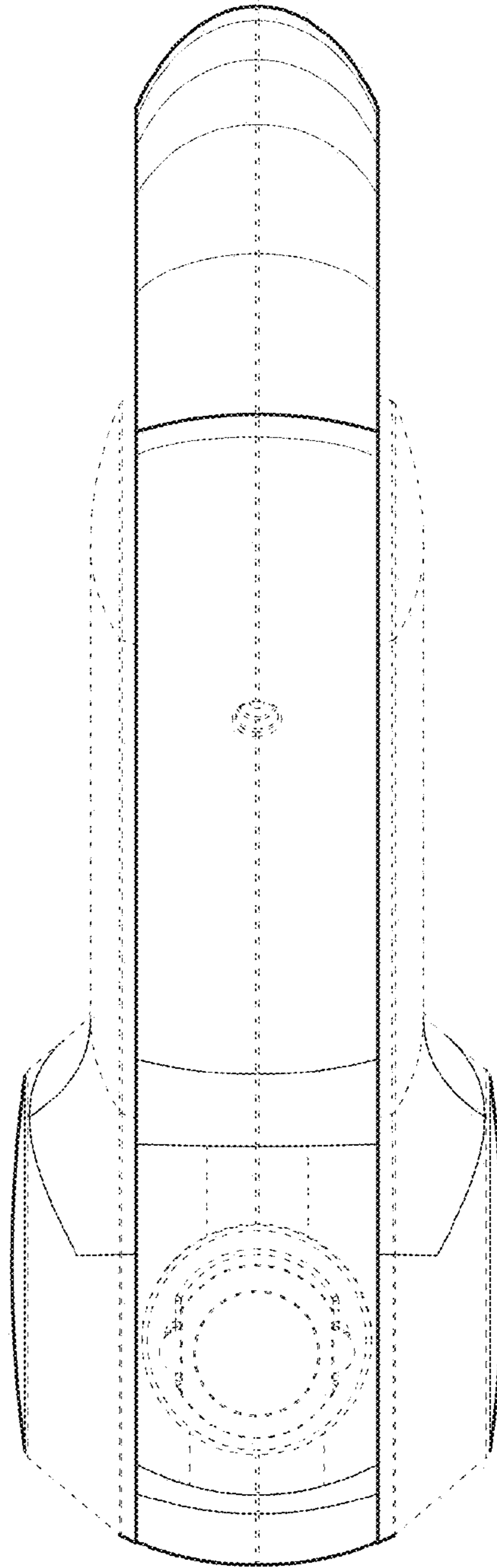


FIG. 6

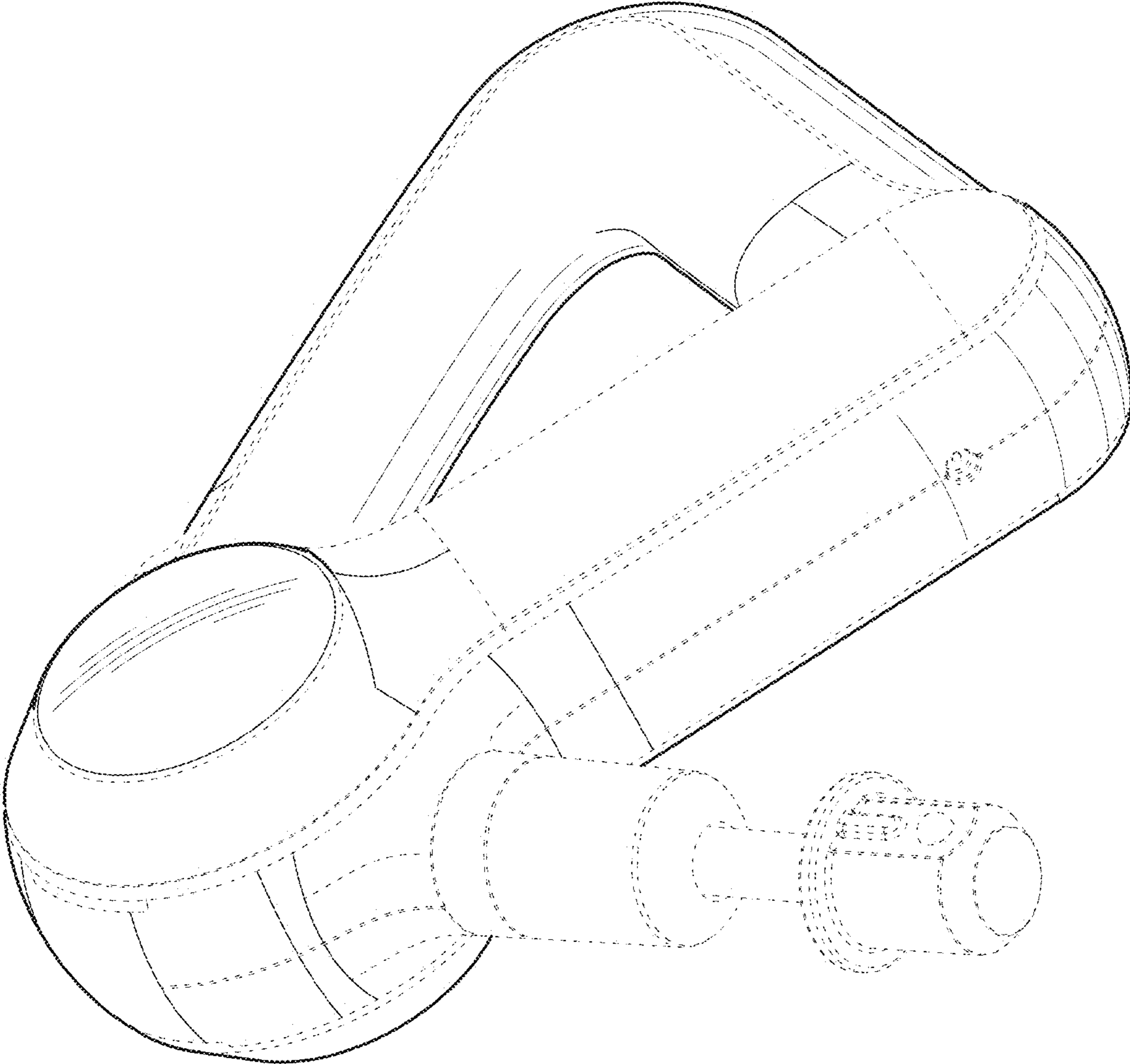


FIG. 7