

US00D977133S

(12) **United States Design Patent** (10) **Patent No.:** **US D977,133 S**
Yu (45) **Date of Patent:** **** Jan. 31, 2023**

(54) **FASCIA GUN**

FOREIGN PATENT DOCUMENTS

(71) Applicant: **Shenzhen SUNGPO HI-TECH Electronic CO., LTD**, Shenzhen (CN)

CN 202130236116.6 * 10/2021

(72) Inventor: **Shengguo Yu**, Dongguan (CN)

OTHER PUBLICATIONS

(**) Term: **15 Years**

Sungpo Facebook—Massage Gun. Date: Nov. 4, 2021. [online]. [Site visited Aug. 31, 2022]. Available from Internet URL: facebook.com/Sungpo-104818524479001/photos/a.125752722385581/413599966934187 (Year: 2021).*

(21) Appl. No.: **29/820,436**

(Continued)

(22) Filed: **Dec. 22, 2021**

(51) **LOC (14) Cl.** **28-03**

Primary Examiner — Susan Bennett Hattan

(52) **U.S. Cl.**

Assistant Examiner — Landon Thomas Cassell

USPC **D24/215**

(74) *Attorney, Agent, or Firm* — Rumit Ranjit Kanakia

(58) **Field of Classification Search**

USPC D24/215, 200, 211, 212, 213, 214, 133,
D24/107, 231, 184; D8/14.1, 61;
D28/12, 13

CPC A61H 9/00; A61H 9/0021; A61H 15/00;
A61H 2015/0007; A61H 2015/0042;
A61H 15/0078; A61H 15/0085; A61H
23/00; A61H 2023/002; A61H 23/006

See application file for complete search history.

(57) **CLAIM**

The ornamental design for a fascia gun, as shown and described.

DESCRIPTION

(56) **References Cited**

U.S. PATENT DOCUMENTS

D855,822 S	*	8/2019	Marton	D24/215
D893,738 S		8/2020	Zhuang		
D895,831 S	*	9/2020	Chen	D24/215
D898,933 S	*	10/2020	Xu	D24/215
D899,620 S		10/2020	Huang		
D906,533 S	*	12/2020	Xu	D24/215
D907,229 S	*	1/2021	Zhang	D24/215
D907,230 S	*	1/2021	Zhang	D24/215
D912,267 S	*	3/2021	Tang	D24/215
D917,060 S	*	4/2021	Hu	D24/215
D923,187 S	*	6/2021	Ma	D24/211
D925,755 S		7/2021	Zheng		
D927,714 S		8/2021	Li		
D927,715 S		8/2021	Li		
D929,601 S	*	8/2021	Lin	D24/215
D931,481 S		9/2021	Li		

(Continued)

FIG. 1 is a perspective view of a fascia gun showing my new design;

FIG. 2 is another perspective view thereof;

FIG. 3 is a front view thereof;

FIG. 4 is a rear view thereof;

FIG. 5 is a left side view thereof;

FIG. 6 is a right side view thereof;

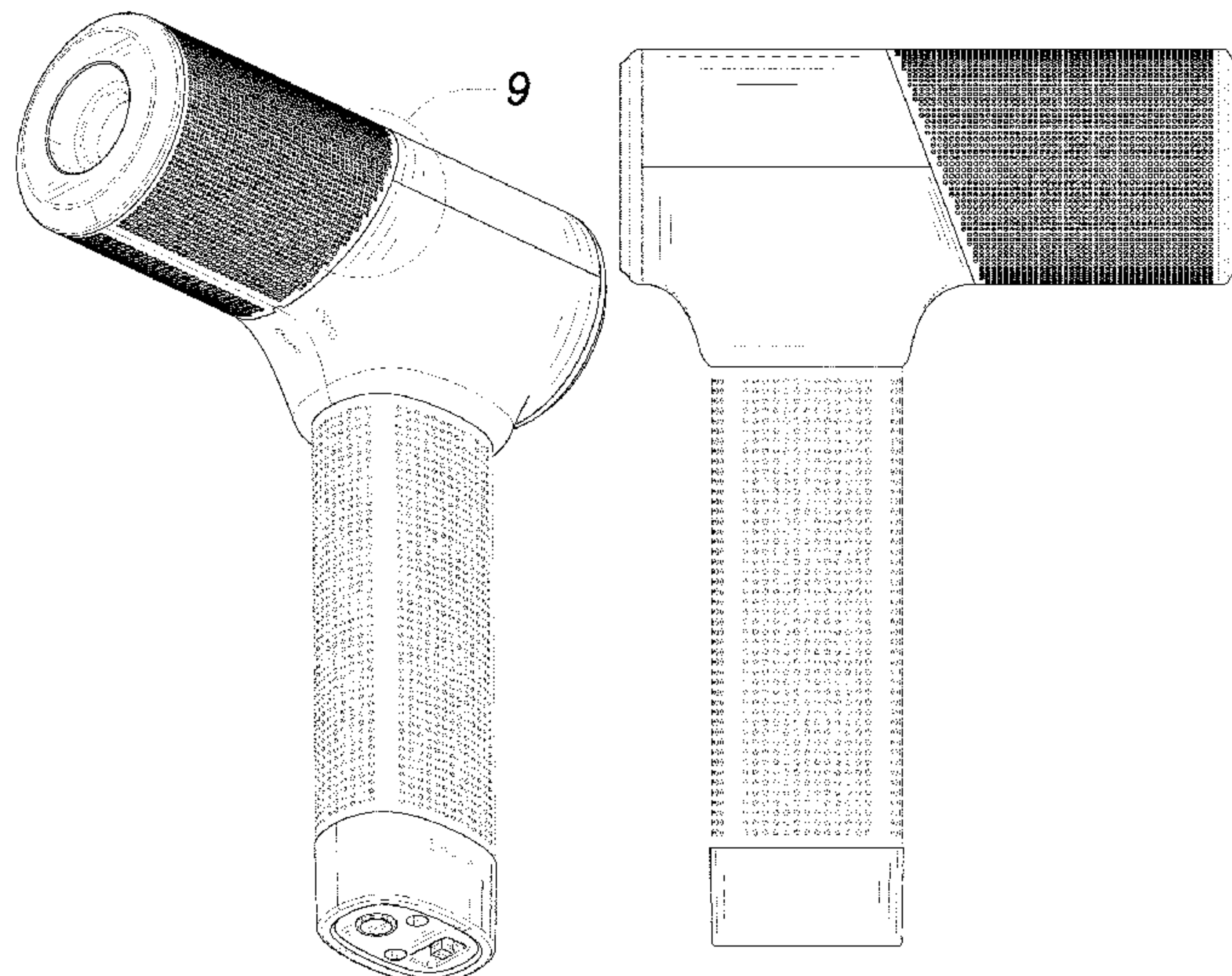
FIG. 7 is a top view thereof;

FIG. 8 is a bottom view thereof; and,

FIG. 9 is an enlarged partial view taken from detail 9 in FIG. 1.

The broken lines in the figures are for the purposes of illustrating portions of the fascia gun, which form no part of the claimed design. The broken lines associated with the areas of enlargement in FIG. 1 and 9 depict the bounds of the enlarged figure and form no part of the claimed design.

1 Claim, 7 Drawing Sheets



(56)

References Cited

U.S. PATENT DOCUMENTS

D931,487 S 9/2021 Li
D933,250 S * 10/2021 Shen D24/211
D933,844 S 10/2021 Chen
D933,845 S 10/2021 Zheng
D934,440 S 10/2021 Zheng
D950,087 S * 4/2022 Shu D24/215
2021/0196562 A1 * 7/2021 Zhao A61H 23/006

OTHER PUBLICATIONS

Sungpo—Massage Gun. Date: Not listed. [online]. [Site visited Aug. 31, 2022]. Available from Internet URL: <https://www.sungpo.com/012-massage-gun.html> (Year: NA).*

Massage Guns. (Design—© Questel) orbit.com. [Online PDF compilation of references] 52 pgs. Print Dates Range Dec. 17, 2019-Jan. 18, 2022 [Retrieved Sep. 2, 2022] <https://www.orbit.com/export/UCZAH96B/pdf4/57e8b244-40cc-4212-af3e-3f0afef5abea-180805.pdf> (Year: 2022).*

* cited by examiner

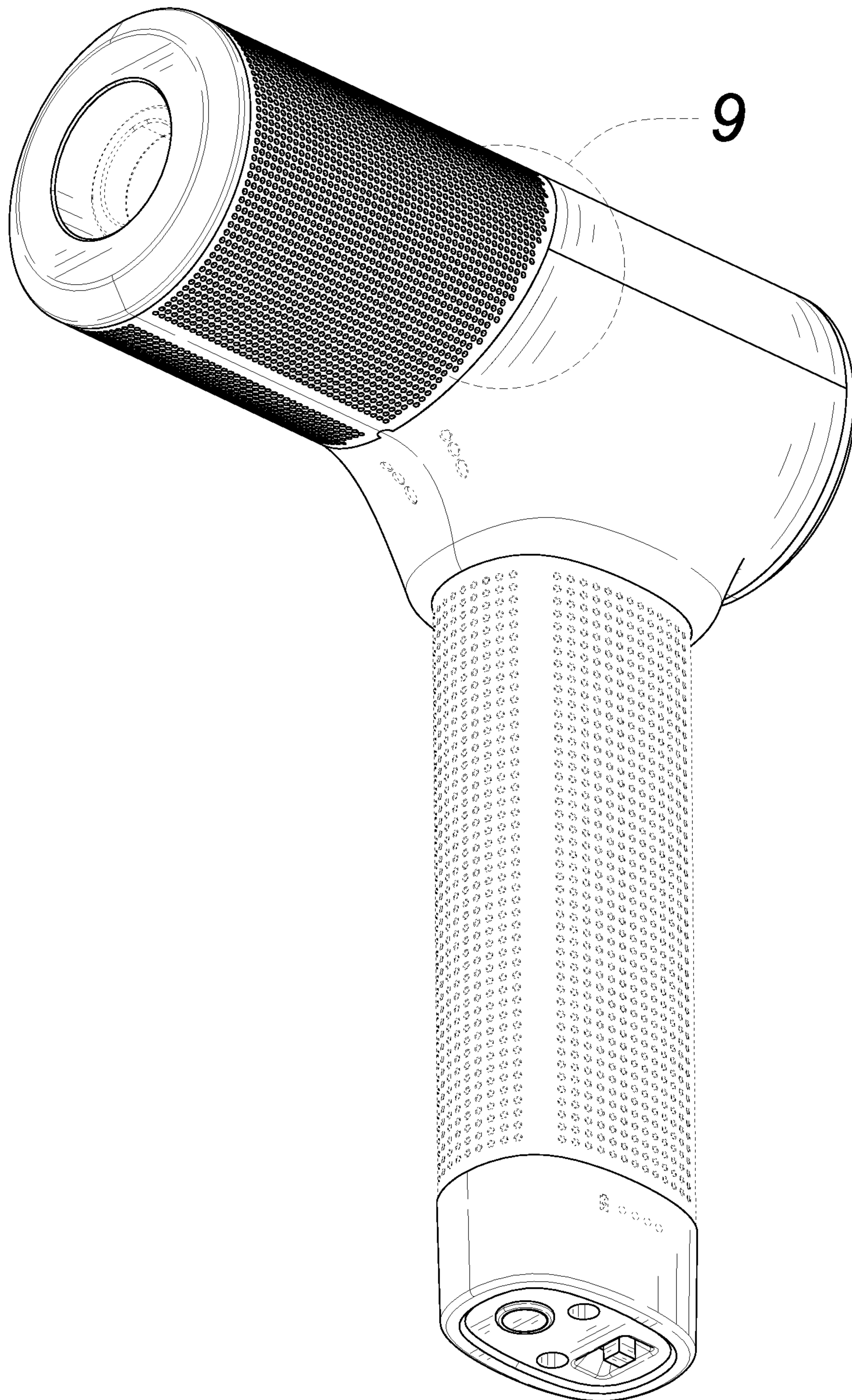


FIG. 1

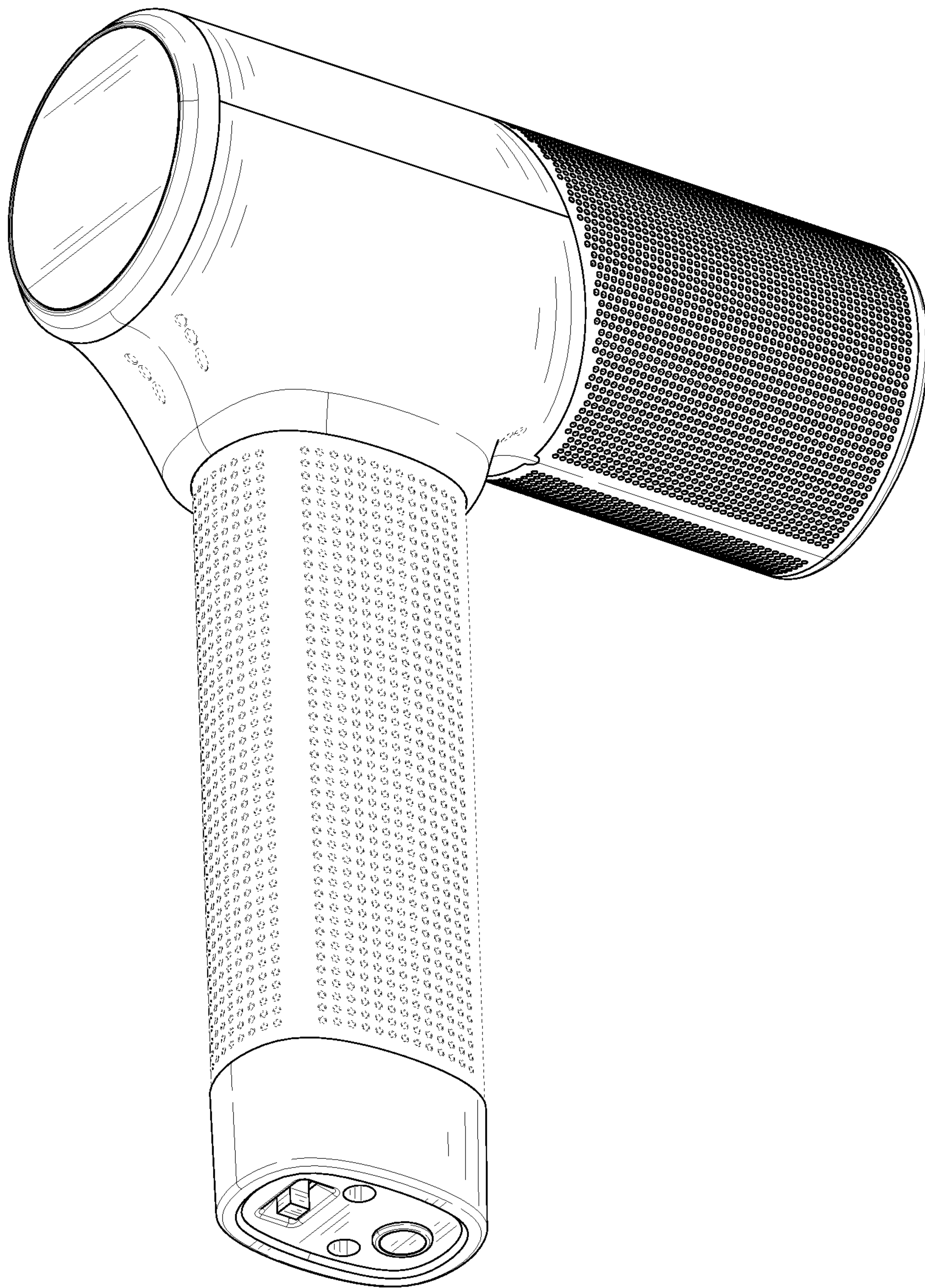


FIG. 2

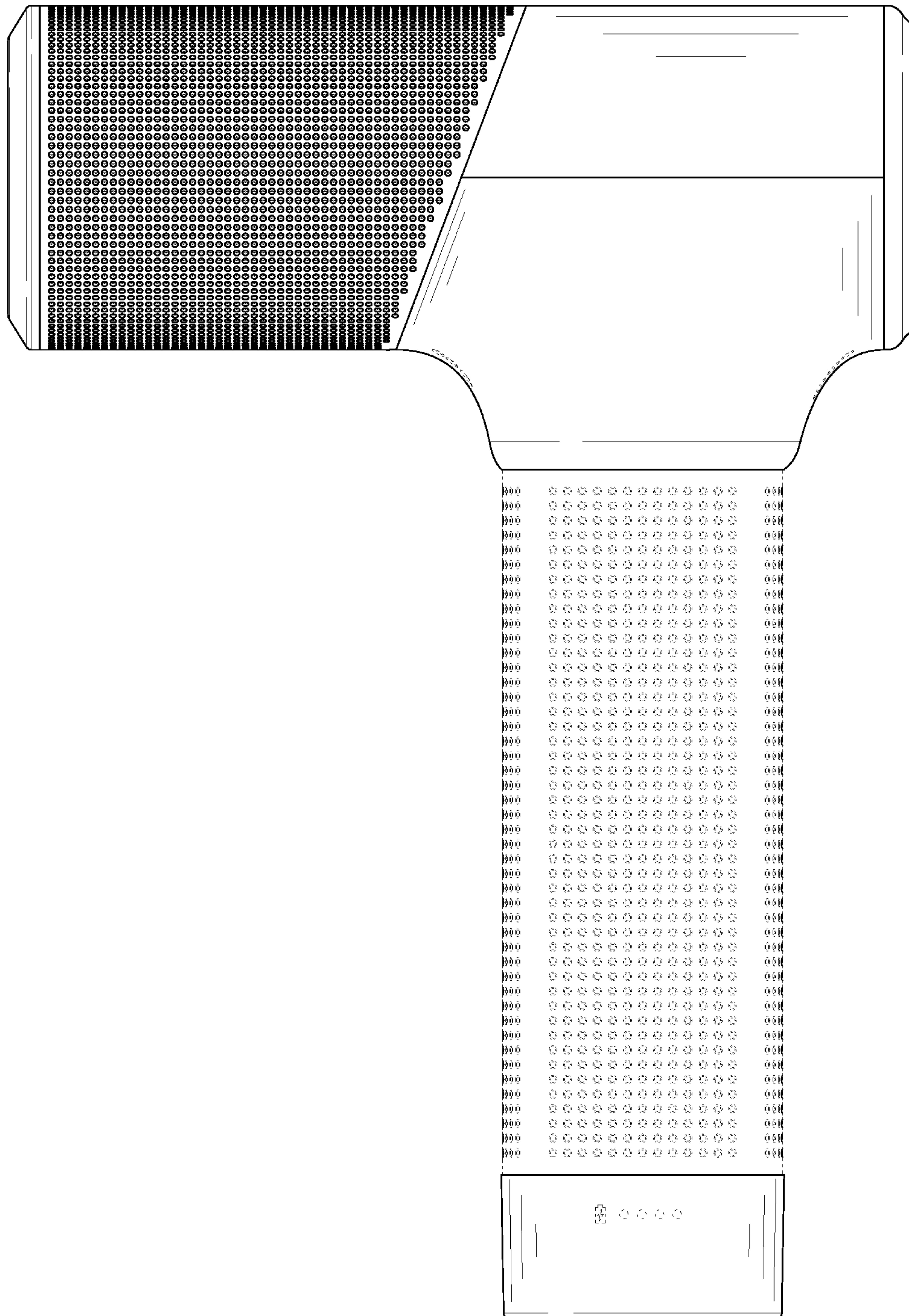


FIG. 3

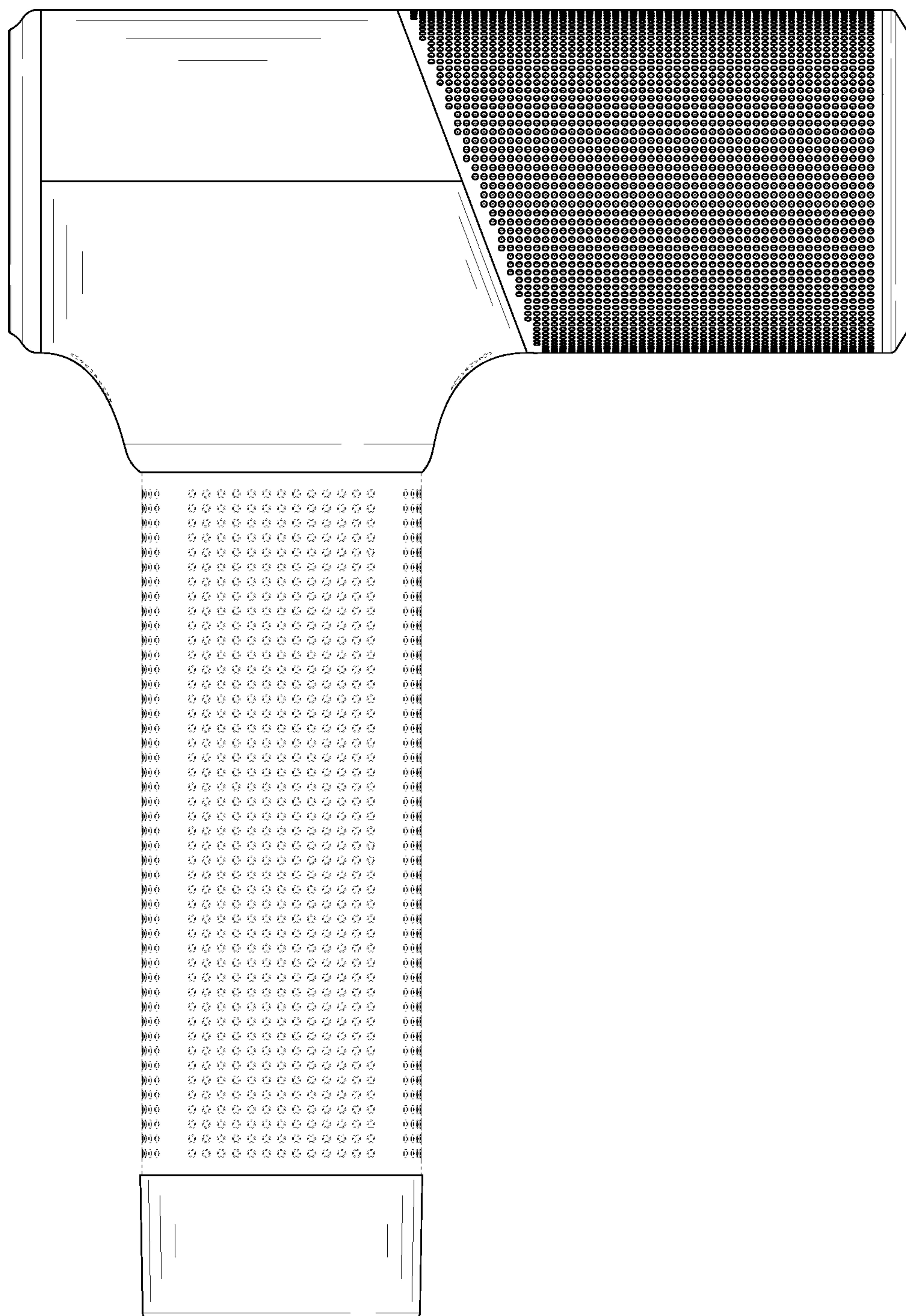


FIG. 4

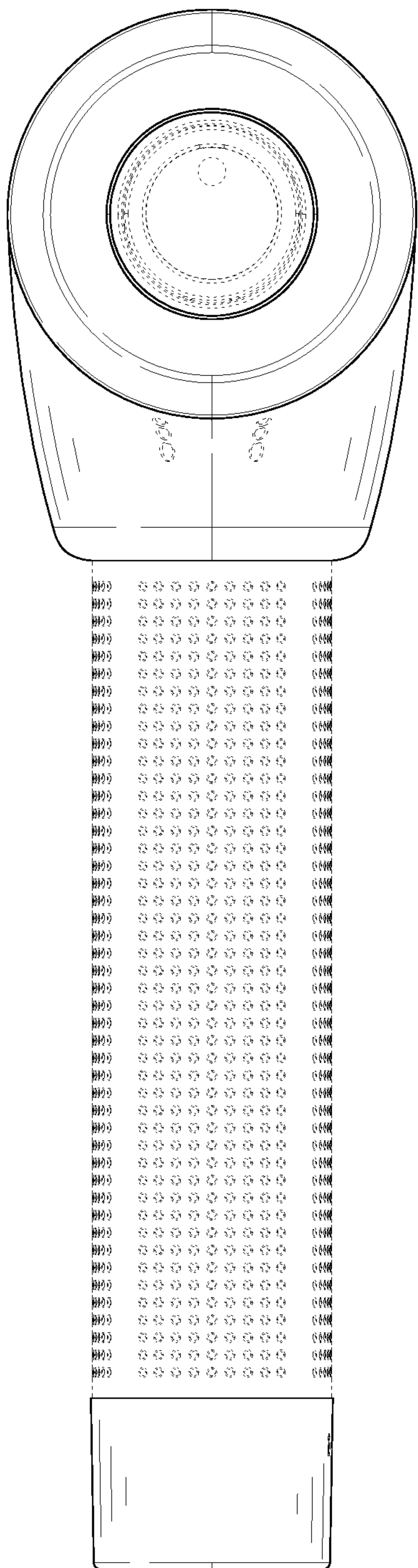


FIG. 5

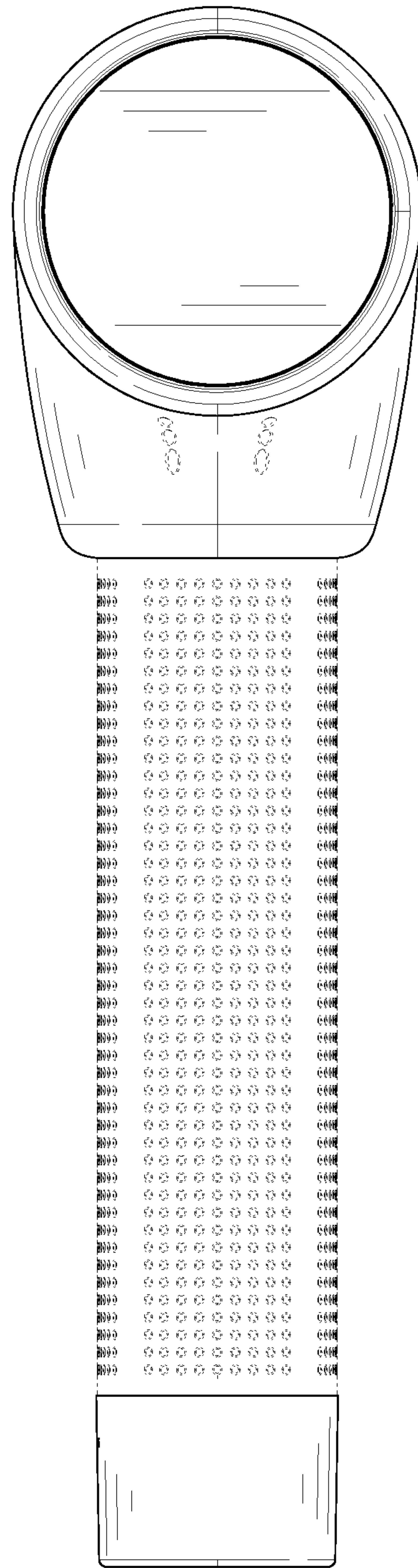


FIG. 6

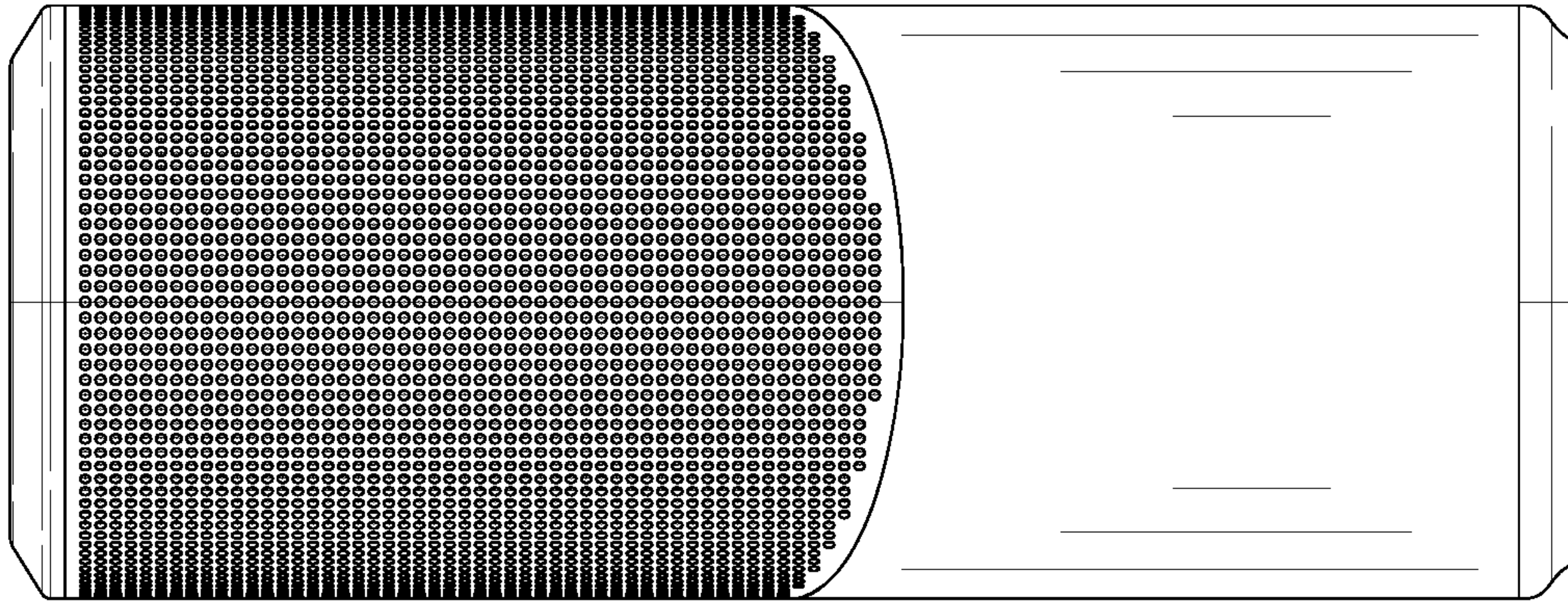


FIG. 7

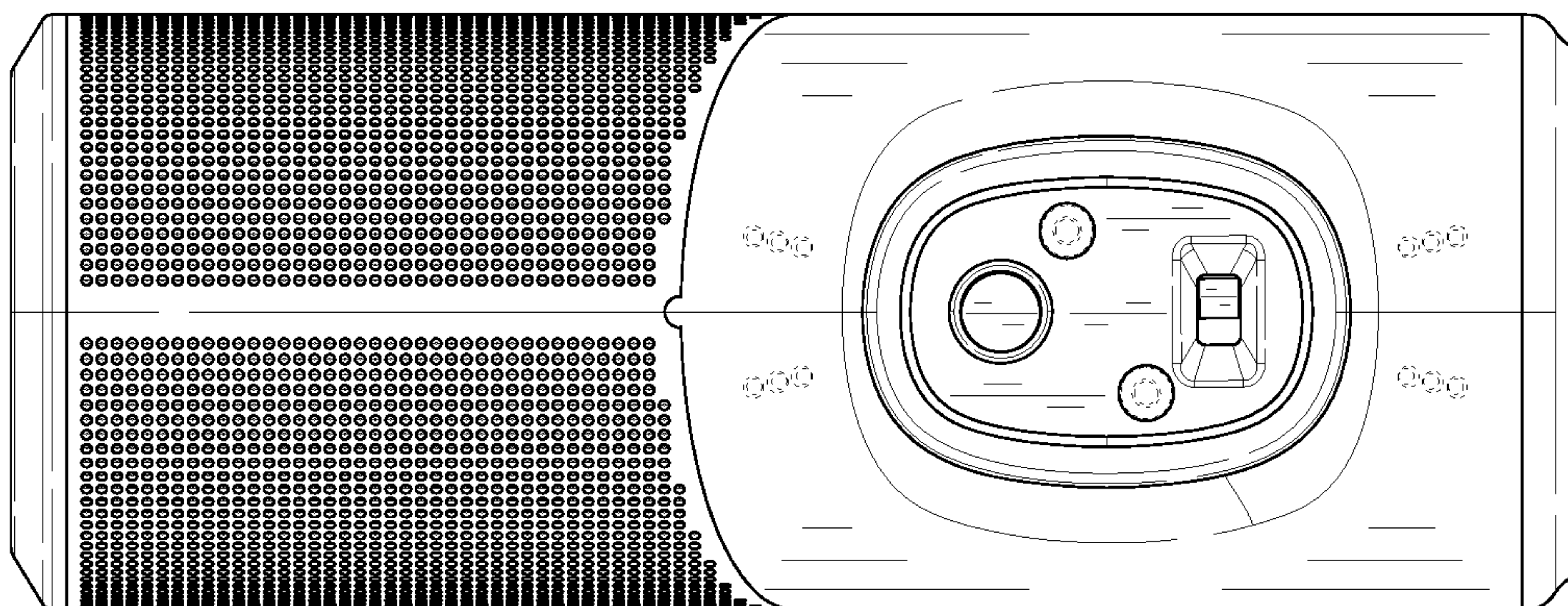


FIG. 8

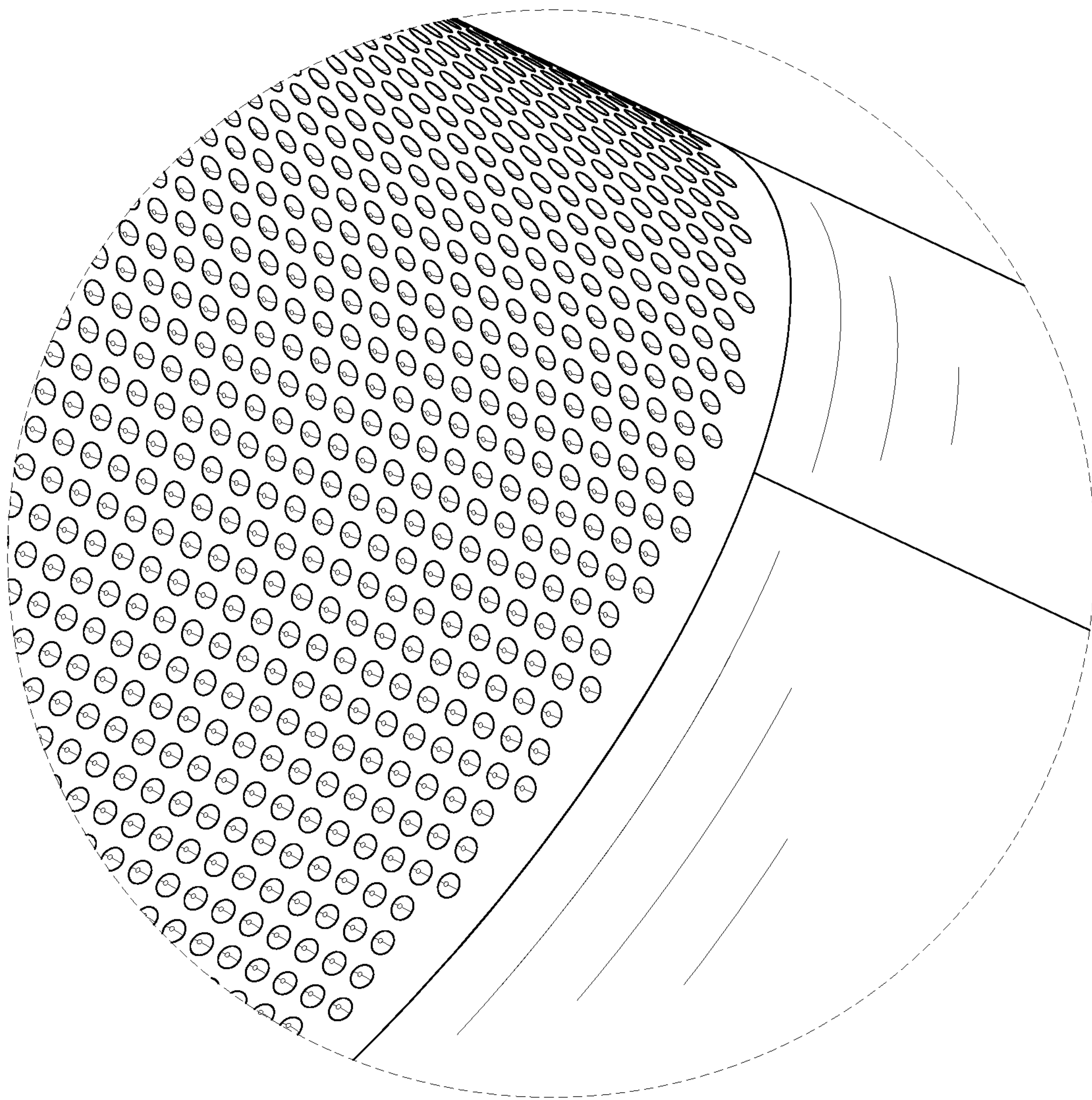


FIG. 9