



US00D977132S

(12) **United States Design Patent** (10) **Patent No.:** **US D977,132 S**
Feng (45) **Date of Patent:** **** Jan. 31, 2023**

(54) **FASCIA GUN**
(71) Applicant: **Xuejun Feng**, Pingyang (CN)
(72) Inventor: **Xuejun Feng**, Pingyang (CN)
(**) Term: **15 Years**
(21) Appl. No.: **29/794,922**
(22) Filed: **Jun. 16, 2021**

D949,391 S * 4/2022 Wersland D24/215
D949,392 S * 4/2022 Wersland D24/215
D949,401 S * 4/2022 Lee D24/215
D950,085 S * 4/2022 Zhu D24/214
D950,752 S * 5/2022 Wang D24/215
D952,884 S * 5/2022 Wang D24/215
D955,595 S * 6/2022 Wersland D24/215
D956,249 S * 6/2022 Ying D24/215
D958,387 S * 7/2022 Qin D24/215
D959,008 S * 7/2022 Qin D24/215

(Continued)

(30) **Foreign Application Priority Data**

May 18, 2021 (CN) 202130295402.X

(51) **LOC (14) Cl.** **24-01**
(52) **U.S. Cl.**
USPC **D24/215**

(58) **Field of Classification Search**
USPC D24/200, 211, 212, 213, 214, 215;
D8/14.1; D28/13
CPC A61H 23/006; A61H 2201/0153; A61H
2201/0157; A61H 7/005; A61H 23/00;
A61H 7/00; A61H 7/007
See application file for complete search history.

(56) **References Cited**

U.S. PATENT DOCUMENTS

D872,869 S * 1/2020 Lu D24/215
D877,351 S * 3/2020 Wersland D24/215
D879,985 S * 3/2020 Wersland D24/214
D879,986 S * 3/2020 Wersland D24/214
D880,714 S * 4/2020 Wersland D24/215
D880,715 S * 4/2020 Wersland D24/215
D880,716 S * 4/2020 Wersland D24/215
D884,915 S * 5/2020 Wersland D24/215
D885,601 S * 5/2020 Wersland D24/215
D887,573 S * 6/2020 Wersland D24/215
D896,396 S * 9/2020 Wersland D24/215
D912,268 S * 3/2021 Xiang D24/215
D930,179 S * 9/2021 Zhu D24/215
D949,390 S * 4/2022 Wersland D24/215

OTHER PUBLICATIONS

Amazon, "KZED Massage Gun", Date First Available: Aug. 16, 2021. https://www.amazon.com/KZED-Massage-Massager-Percussion-Handheld/dp/B09CPTN1HR/ref=sr_1_46?keywords=Triangle+Massage+Gun+Massage&qid=1665744293&sr=8-46 (Year: 2021).*

(Continued)

Primary Examiner — Michael A Maharajh
(74) *Attorney, Agent, or Firm* — Rumit R. Kanakia

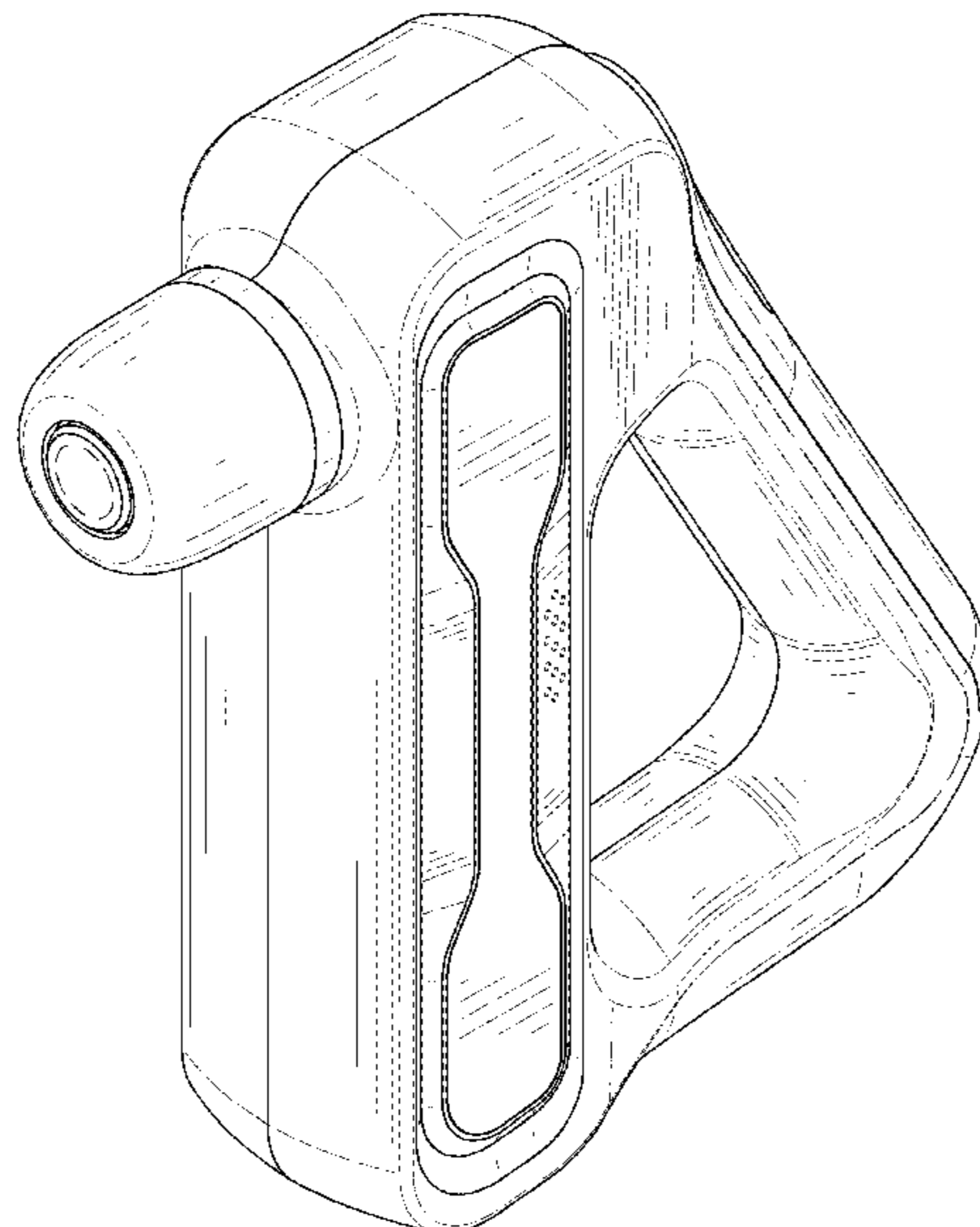
(57) **CLAIM**

The ornamental design for a fascia gun, as shown and described.

DESCRIPTION

FIG. 1 is a first perspective view of a fascia gun showing my new design;
FIG. 2 is a second perspective view thereof;
FIG. 3 is a front view thereof;
FIG. 4 is a back view thereof;
FIG. 5 is a left side view thereof;
FIG. 6 is a right side view thereof;
FIG. 7 is a top view thereof; and,
FIG. 8 is a bottom view thereof.
The broken lines shown in the drawings depict portions of the fascia gun in which the design is embodied that form no part of the claimed design.

1 Claim, 8 Drawing Sheets



(56)

References Cited

U.S. PATENT DOCUMENTS

D961,796 S * 8/2022 Qin D24/215
D963,881 S * 9/2022 Deng D24/215

OTHER PUBLICATIONS

Flipkart, “R S Acupressure_ Triangle Massage Gun”, Access Date: Oct. 14, 2022. <https://www.flipkart.com/r-s-acupressure-new-32-speed-8-sport-head-triangle-massage-gun-portable-mini-muscle-deep-tissue-percussion-powerful-arm-neck-back-pain-relax-massager/p/itm7ece24b41c1a4> (Year: 2022).*

Amazon.in, “Caresmith_ Massage Gun”, Date First Available: Apr. 14, 2022. <https://arcus-www.amazon.in/Caresmith-Cordless-Percussion-Specialized-Massager/dp/B09XXRLS8X> (Year: 2022).*

* cited by examiner

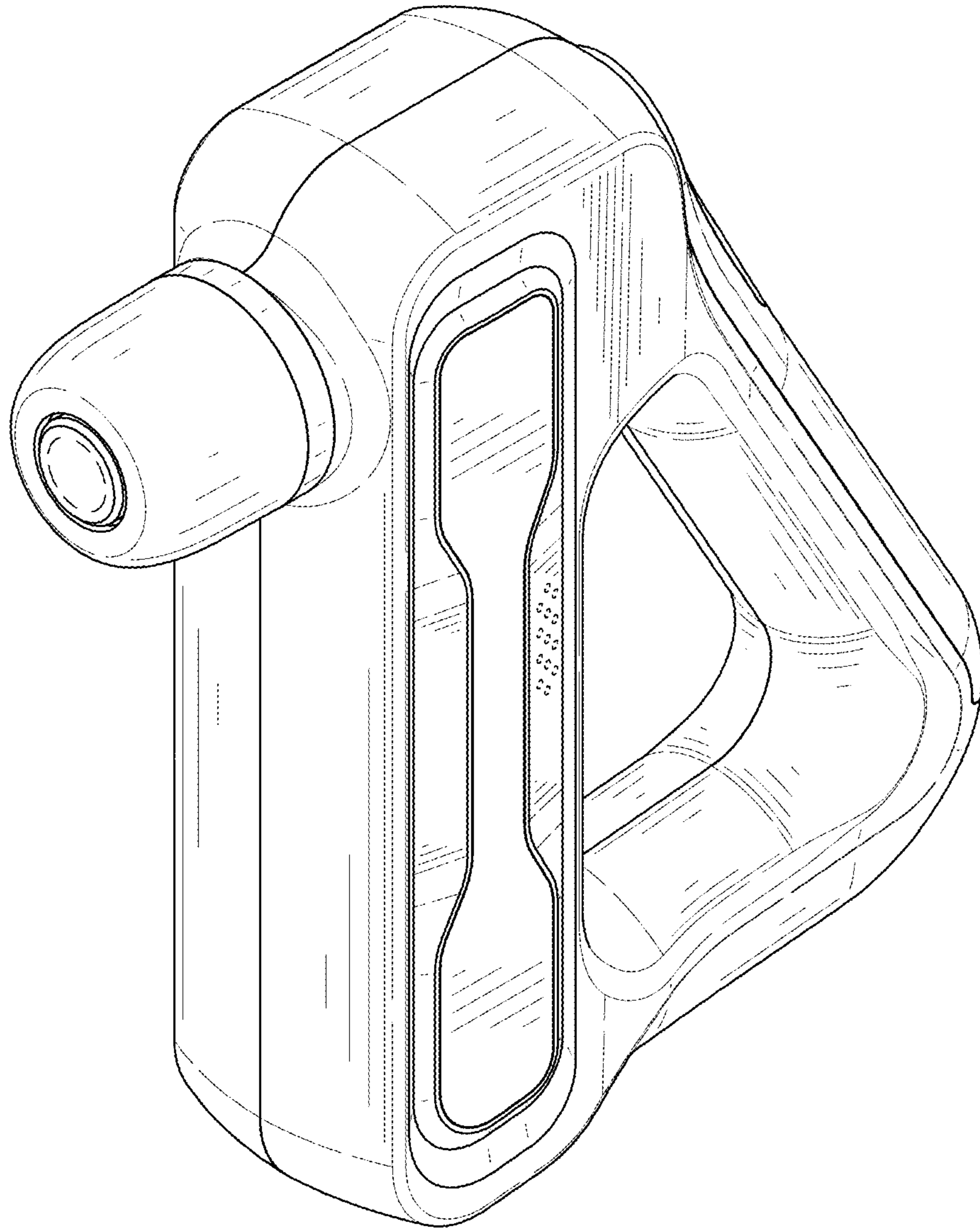


FIG. 1

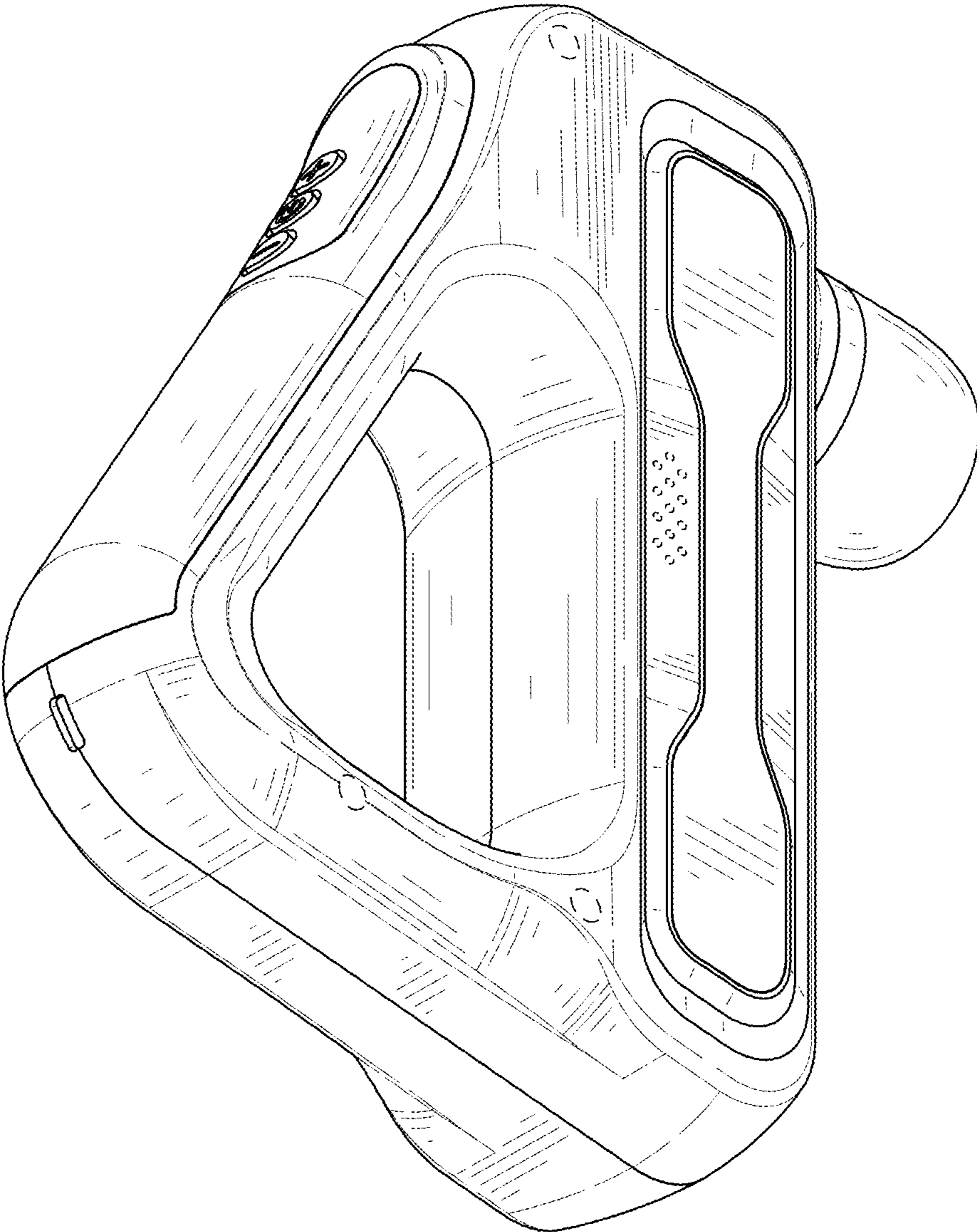


FIG. 2

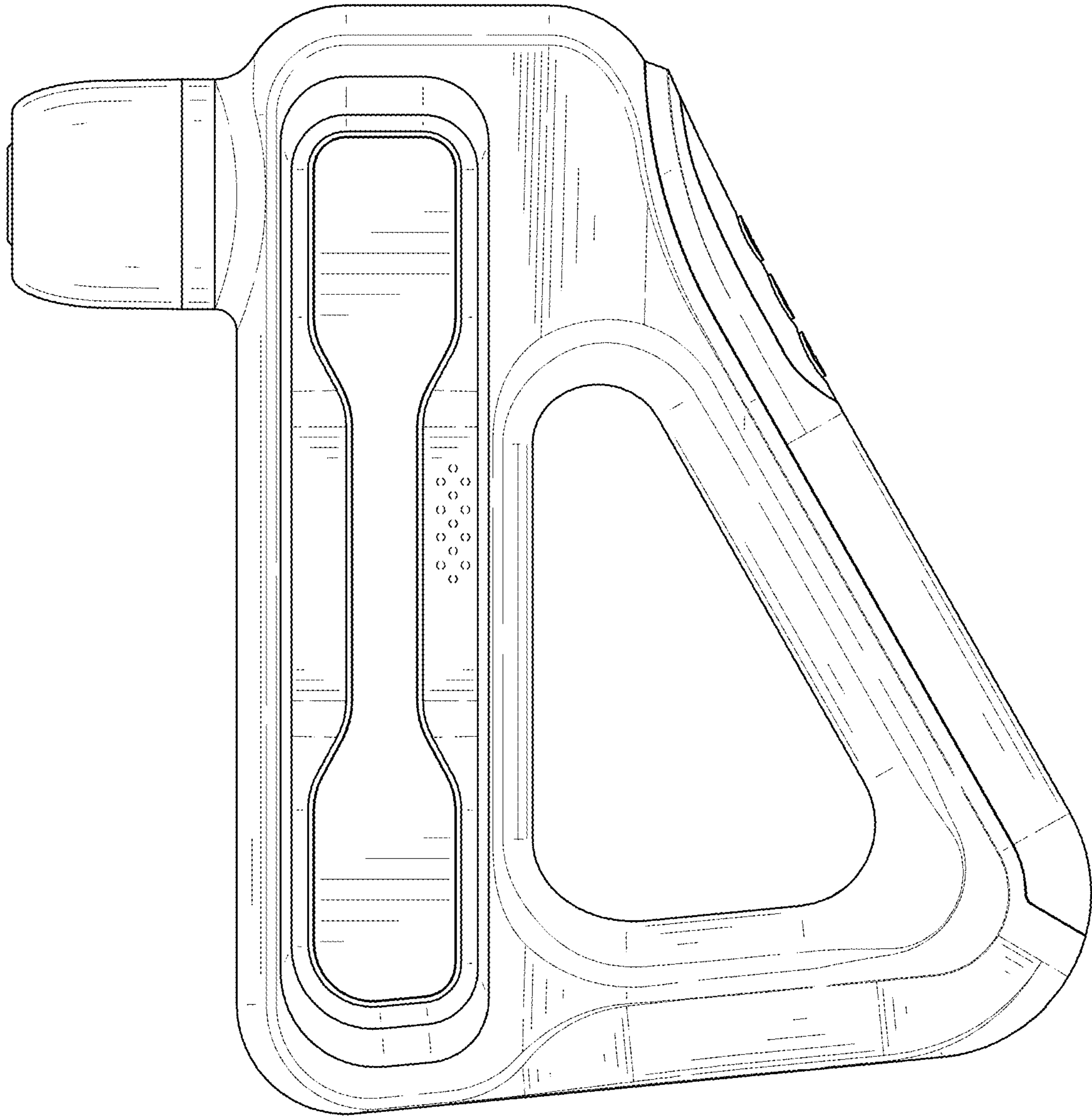


FIG. 3

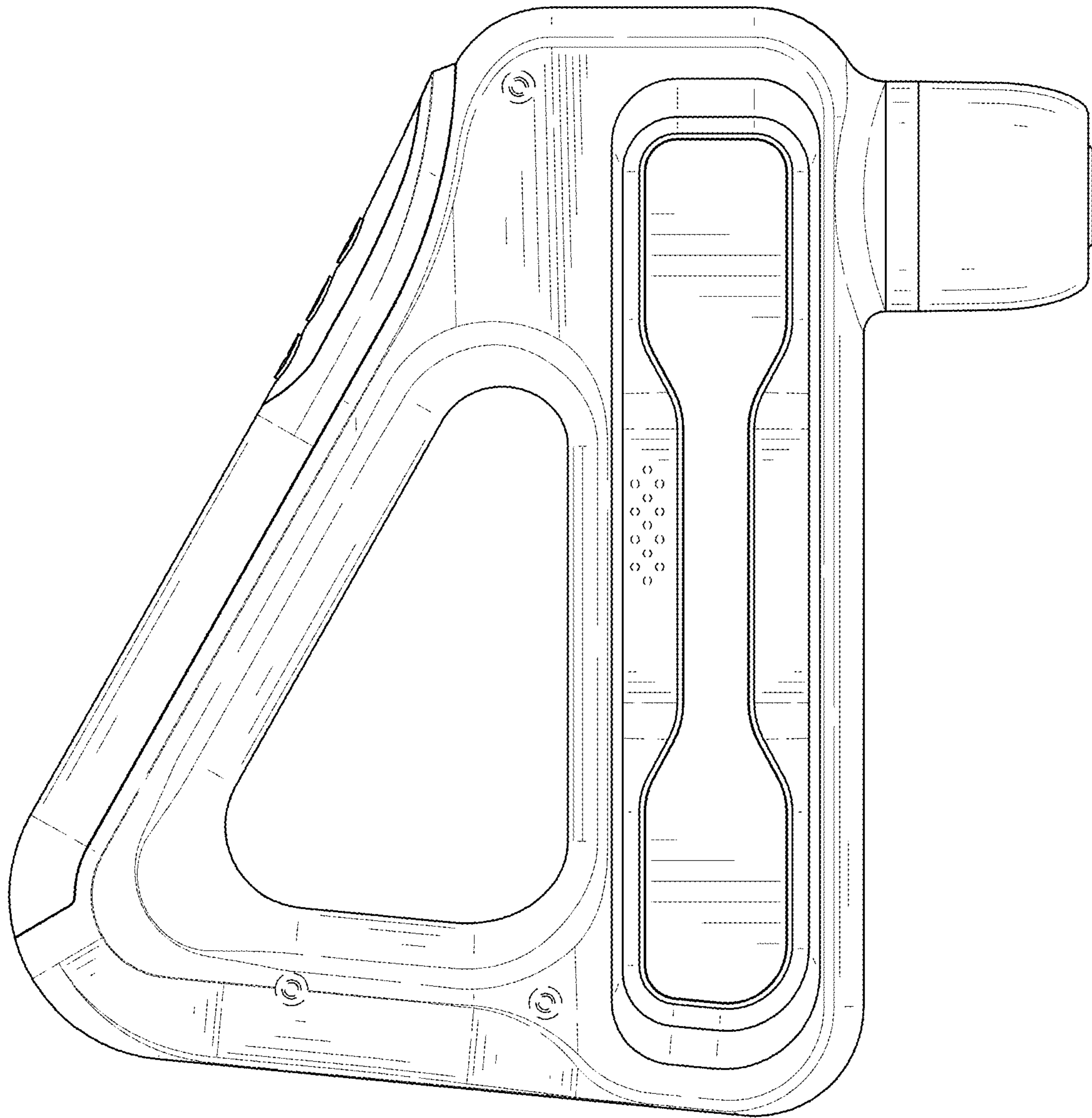


FIG. 4

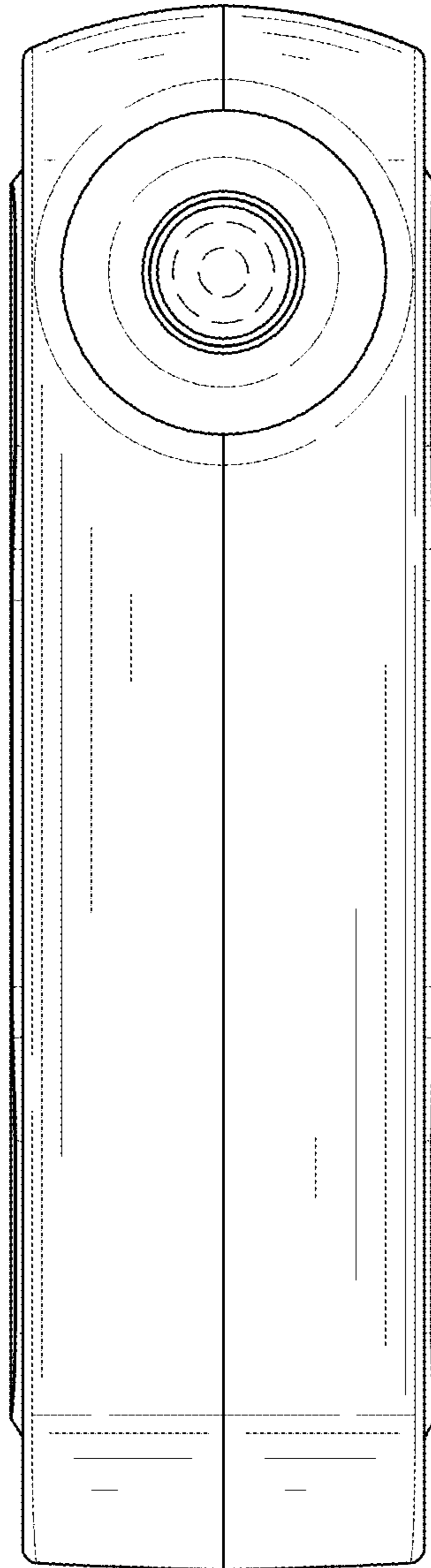


FIG. 5

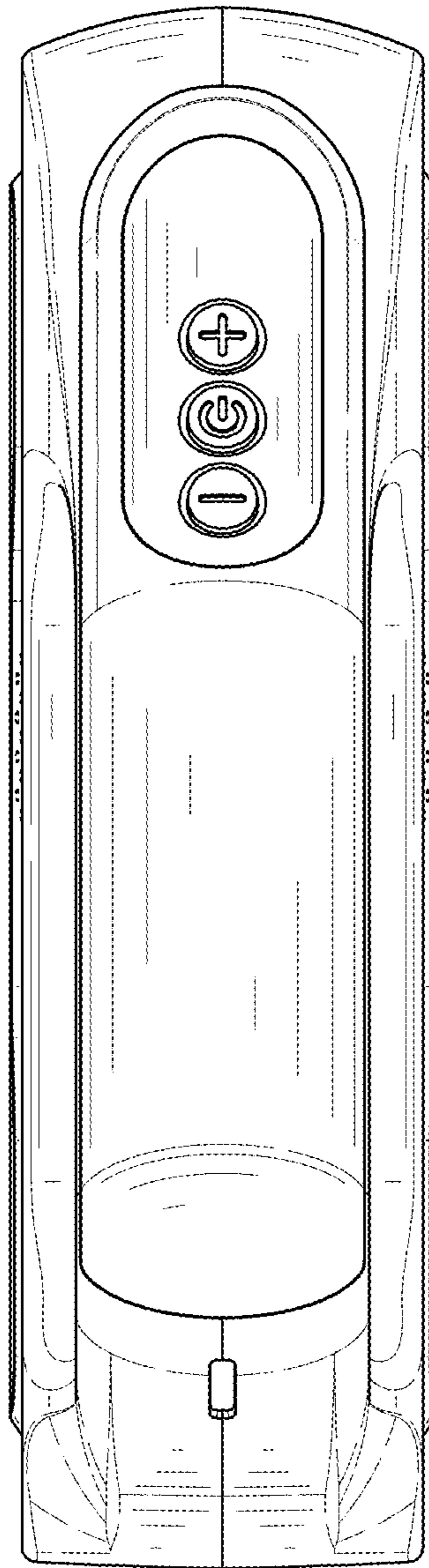


FIG. 6

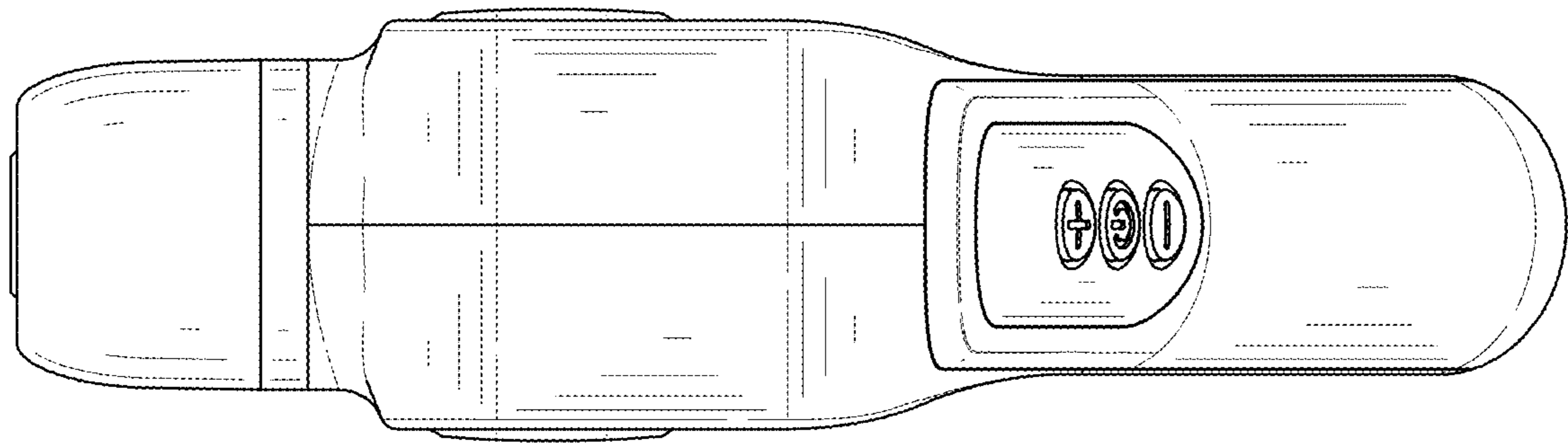


FIG. 7

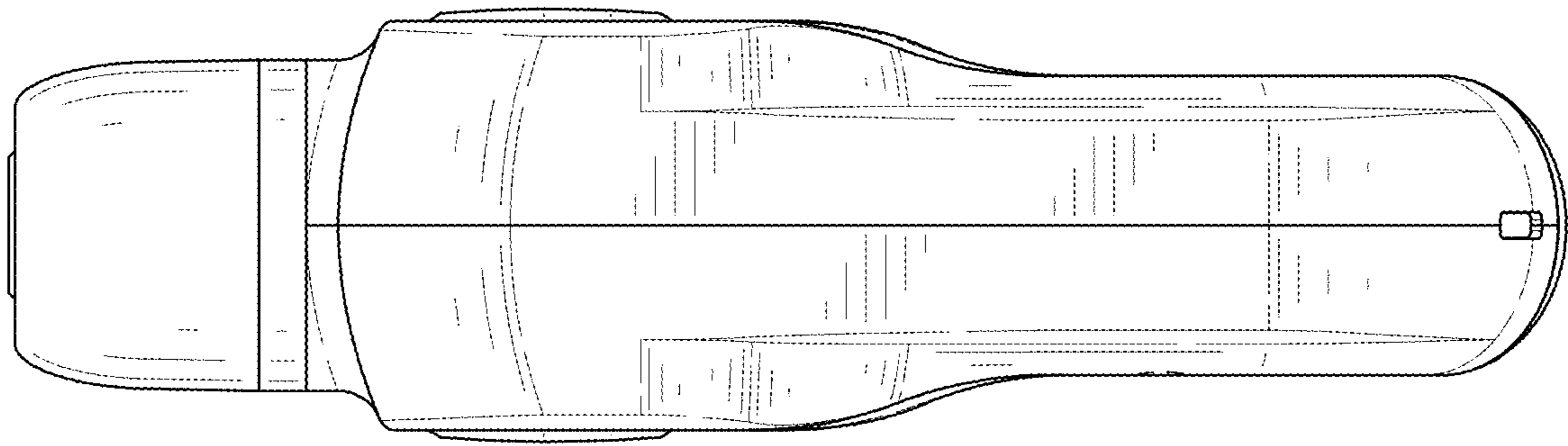


FIG. 8