



US00D977131S

(12) **United States Design Patent** (10) **Patent No.:** **US D977,131 S**
Guo (45) **Date of Patent:** **** Jan. 31, 2023**

- (54) **MESSAGE GUN**
- (71) Applicant: **Shenzhen Huirui Tech CO., LTD,**
Shenzhen (CN)
- (72) Inventor: **Feng Guo,** Shenzhen (CN)
- (**) Term: **15 Years**
- (21) Appl. No.: **29/787,063**
- (22) Filed: **Jun. 3, 2021**
- (30) **Foreign Application Priority Data**
Apr. 19, 2021 (CN) 202130220962.9
- (51) **LOC (14) Cl.** **24-01**
- (52) **U.S. Cl.**
USPC **D24/215**
- (58) **Field of Classification Search**
USPC D24/200, 211, 212, 213, 214, 215;
D8/14.1; D28/13
CPC A61H 23/006; A61H 2201/0153; A61H
2201/0157; A61H 7/005; A61H 23/00;
A61H 7/00; A61H 7/007
See application file for complete search history.
- (56) **References Cited**
U.S. PATENT DOCUMENTS
D847,364 S * 4/2019 Lee D24/215
D866,790 S * 11/2019 Lee D24/215
D912,835 S * 3/2021 Ren D24/200
D920,531 S * 5/2021 Xu D24/215

- D923,190 S * 6/2021 Xu D24/214
- D925,755 S * 7/2021 Zheng D24/215
- D928,339 S * 8/2021 Yang D24/215
- D953,557 S * 5/2022 Wu D24/215
- D965,808 S * 10/2022 Jiang D24/215
- 2020/0085675 A1* 3/2020 Lee A61H 23/006

* cited by examiner

Primary Examiner — Michael A Maharajh
(74) *Attorney, Agent, or Firm* — Rumit Ranjit Kanakia

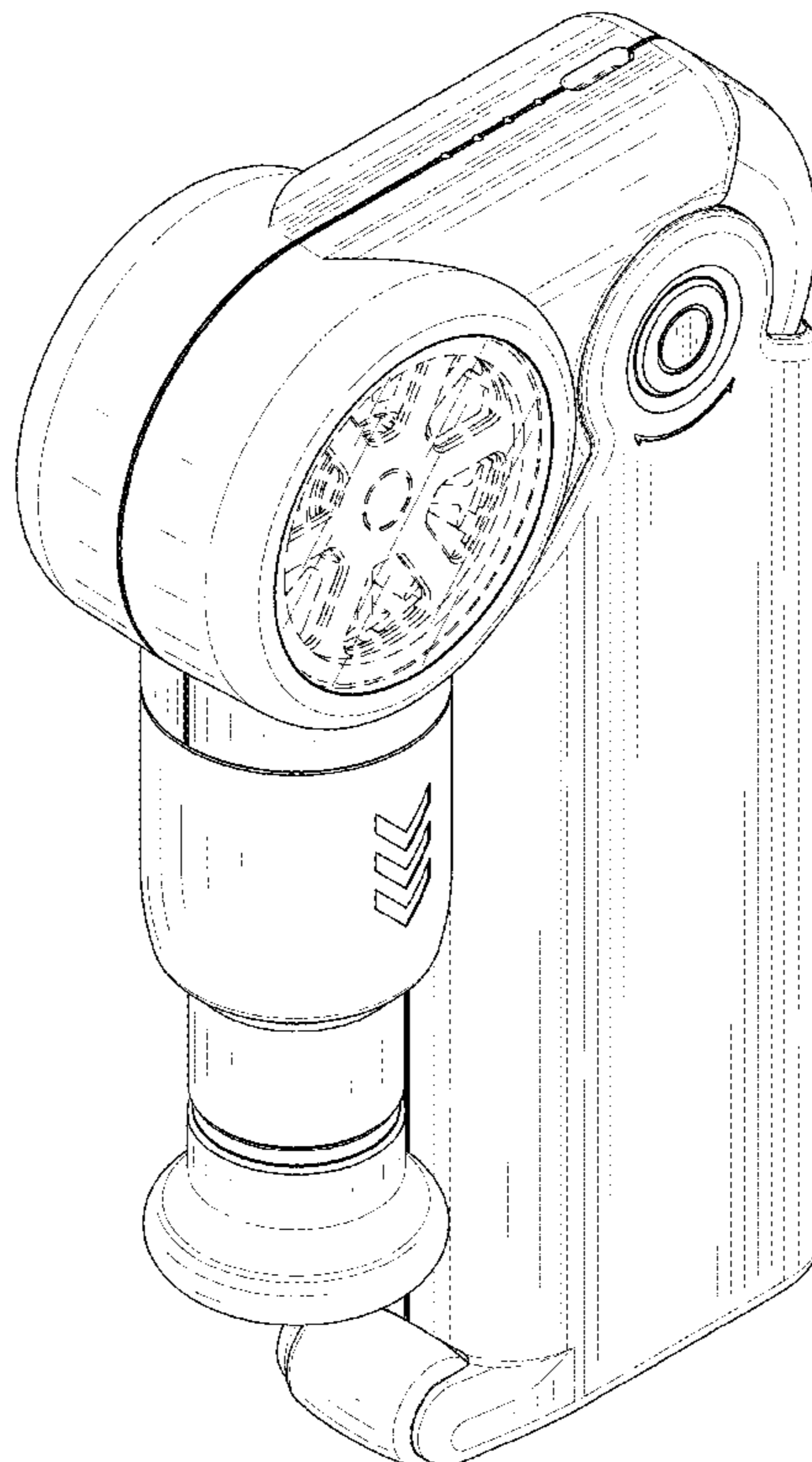
(57) **CLAIM**

The ornamental design for a massage gun, as shown and described.

DESCRIPTION

FIG. 1 is a first perspective view of a massage gun showing my new design;
 FIG. 2 is a second perspective view thereof;
 FIG. 3 is a front view thereof;
 FIG. 4 is a back view thereof;
 FIG. 5 is a left side view thereof;
 FIG. 6 is a right side view thereof;
 FIG. 7 is a top view thereof;
 FIG. 8 is a bottom view thereof; and,
 FIG. 9 is a perspective view of another state of the massage gun thereof.
 The broken lines shown in the drawings depict portions of the massage gun in which the design is embodied that form no part of the claimed design.

1 Claim, 9 Drawing Sheets



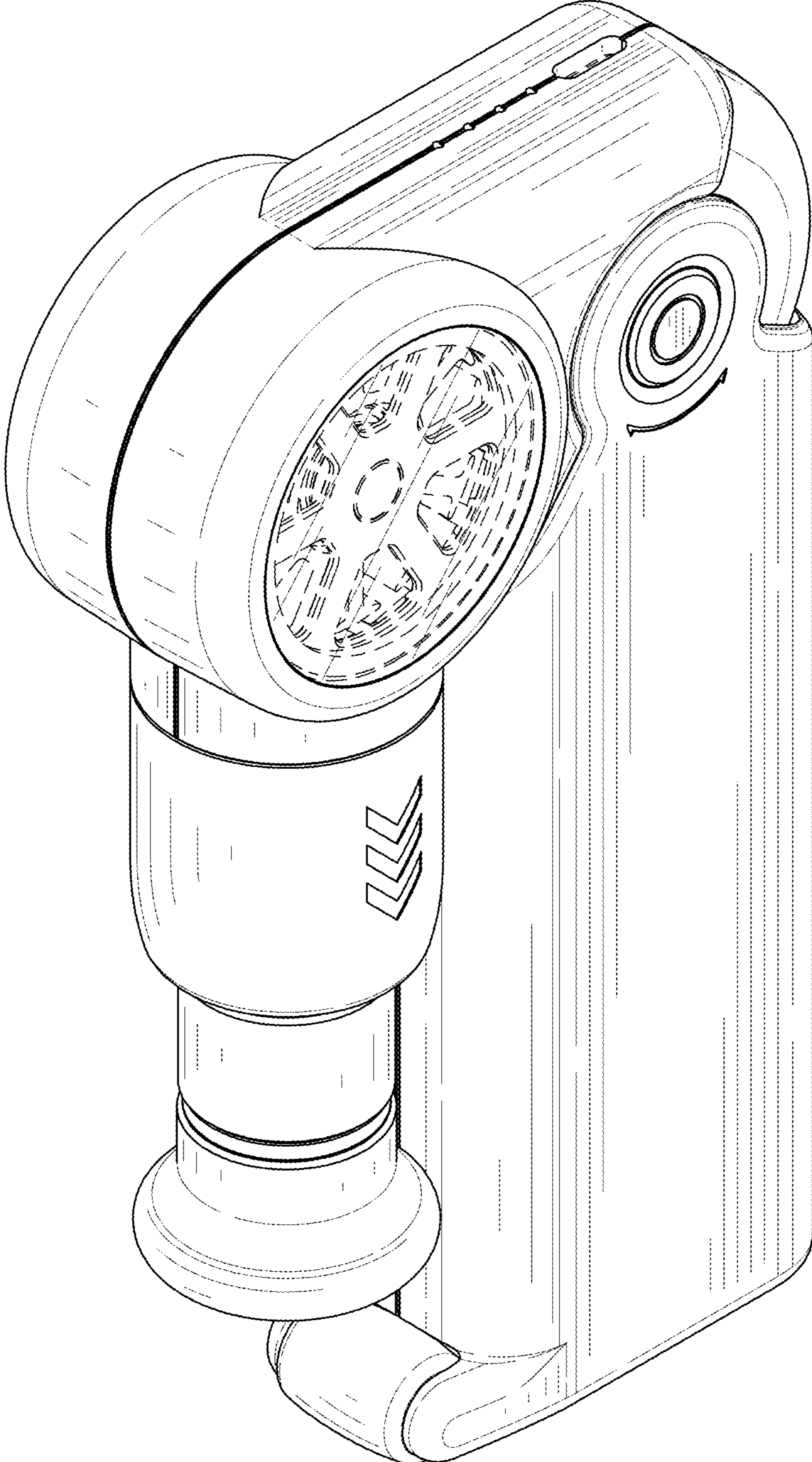


FIG. 1

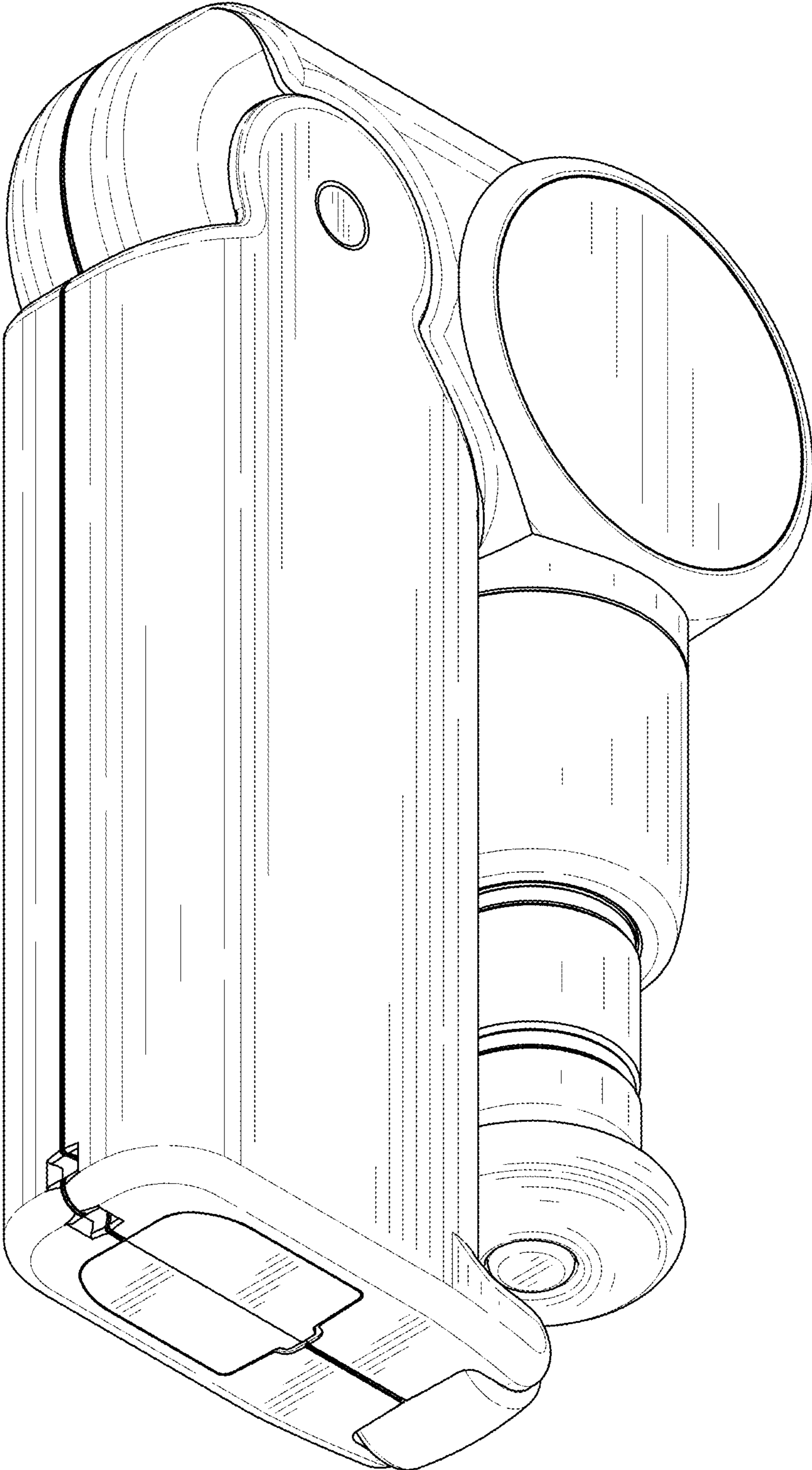


FIG. 2

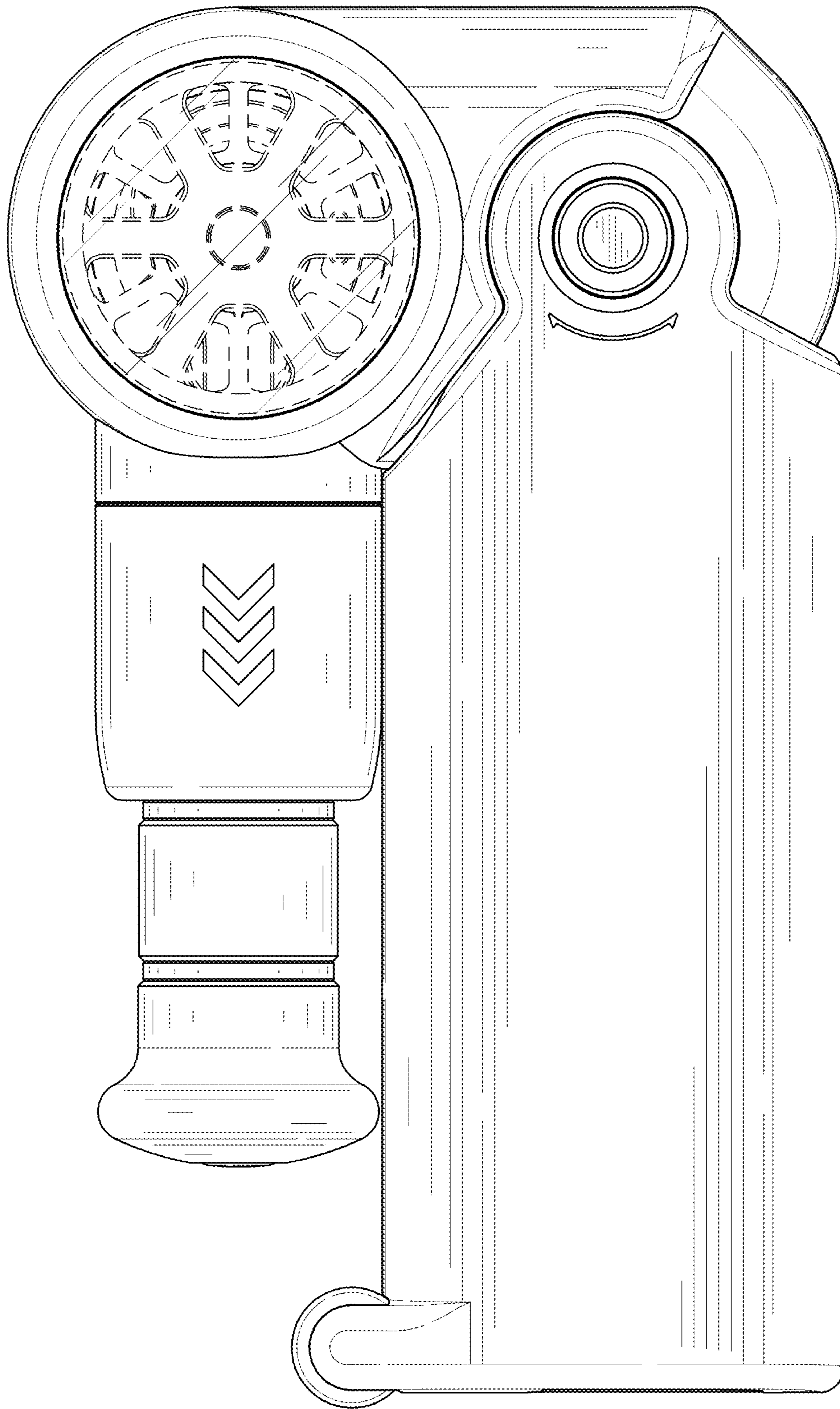


FIG. 3

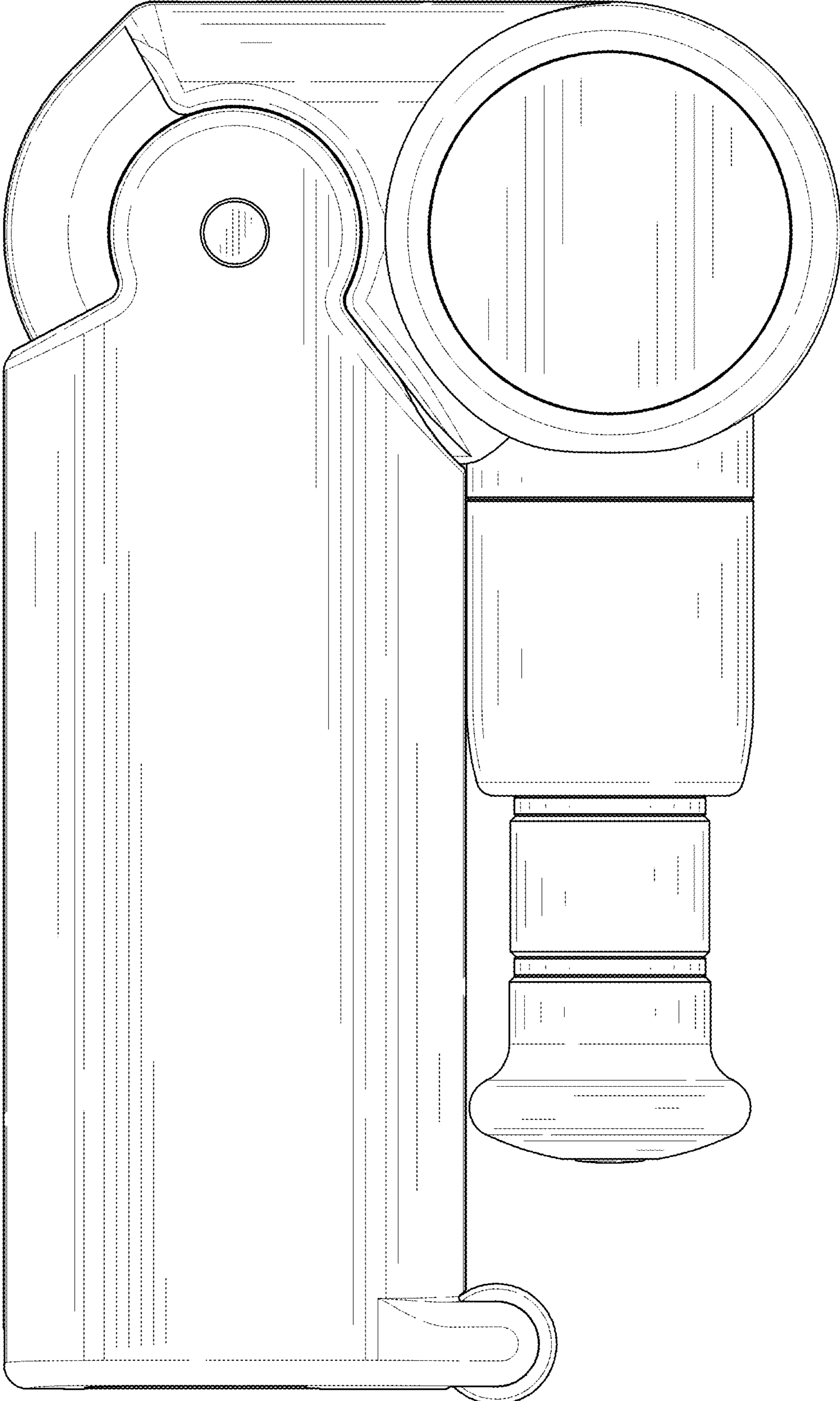


FIG. 4

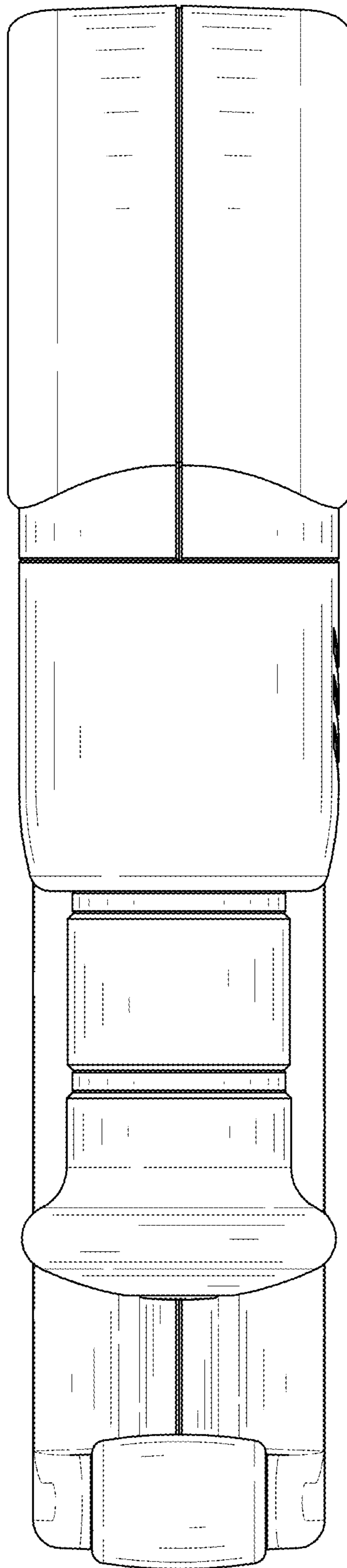


FIG. 5



FIG. 6

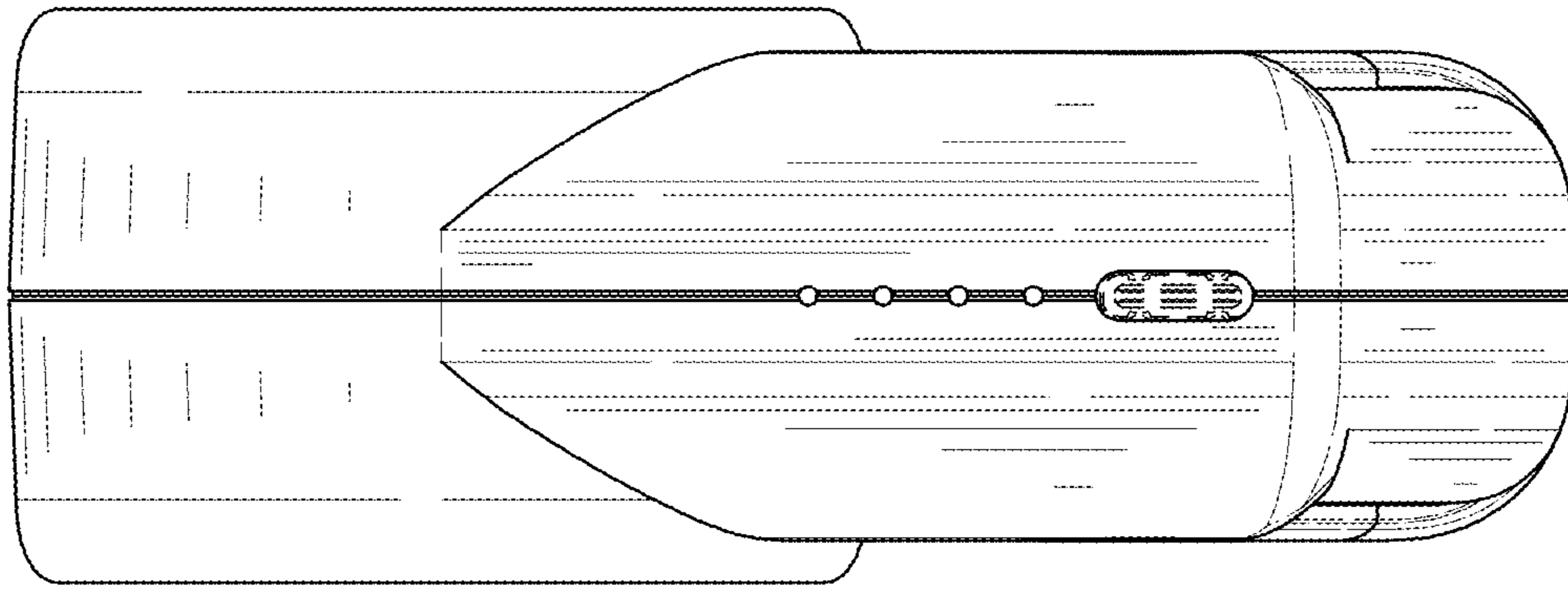


FIG. 7

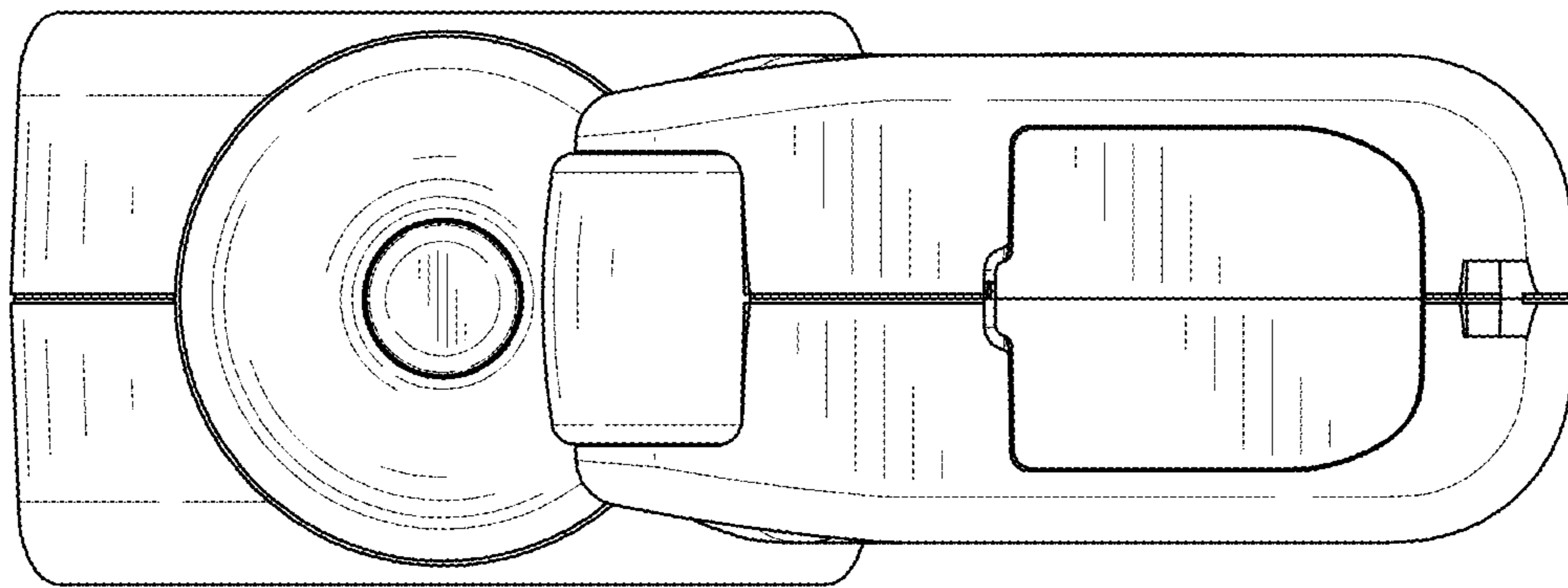


FIG. 8

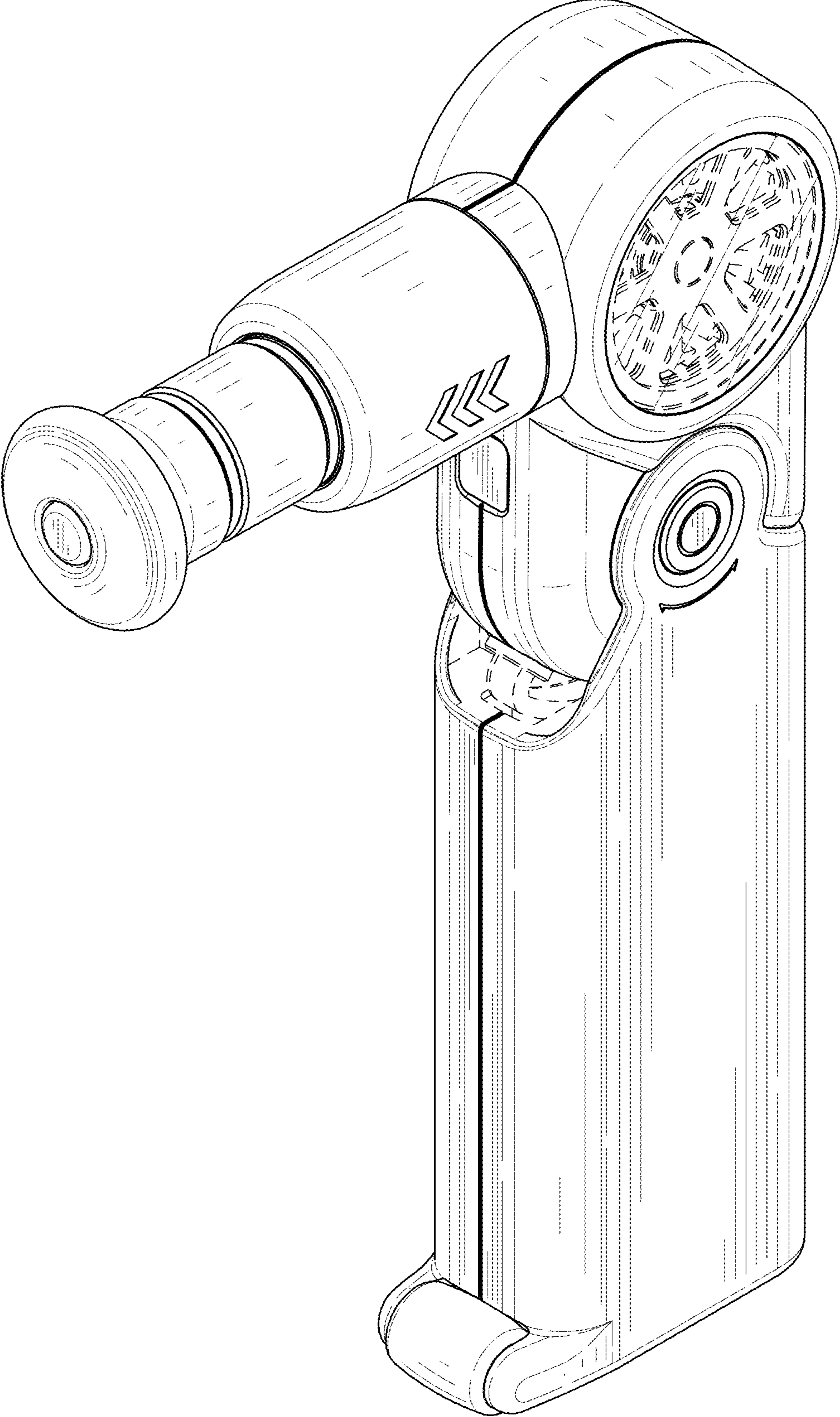


FIG. 9