



US00D977130S

(12) **United States Design Patent** (10) **Patent No.:** **US D977,130 S**
Furman (45) **Date of Patent:** **** Jan. 31, 2023**

(54) **HANDHELD INFANT MASSAGER**
(71) Applicant: **Elina Furman**, Dobbs Ferry, NY (US)
(72) Inventor: **Elina Furman**, Dobbs Ferry, NY (US)
(73) Assignee: **Elfin Media, LLC**, Greenwich, CT (US)

D918,404 S * 5/2021 Wersland D24/211
D918,405 S * 5/2021 Wersland D24/211
D931,492 S * 9/2021 Li D24/215
D949,365 S * 4/2022 Li D24/211
D949,418 S * 4/2022 Khubani D24/215
D952,878 S * 5/2022 Lin D24/211

(**) Term: **15 Years**
(21) Appl. No.: **29/765,202**
(22) Filed: **Jan. 6, 2021**

(51) **LOC (14) Cl.** **24-01**
(52) **U.S. Cl.**
USPC **D24/215**
(58) **Field of Classification Search**
USPC D24/200, 211, 212, 213, 214, 215;
D8/300; D9/434, 443; D11/181;
D22/117; D21/400
CPC A61H 2015/0014; A61H 7/007; A61H
23/006; A61H 2015/0042; A61H 33/6089
See application file for complete search history.

OTHER PUBLICATIONS

Kahlmi, "Kahlmi Baby Massager", Earliest Review Date: Jun. 17, 2022. <https://kahlmi.com/> (Year: 2022).*
Youtube, "Meet Kahlmi_The Worlds First baby Massager", Published Date: Feb. 4, 2022. <https://www.youtube.com/watch?v=2SE7KQ0v3qk> (Year: 2022).*

* cited by examiner

Primary Examiner — Michael A Maharajh
(74) *Attorney, Agent, or Firm* — David A. Jones; Nadesan Beck P.C.

(57) **CLAIM**

The ornamental design for a handheld infant massager, as shown and described.

DESCRIPTION

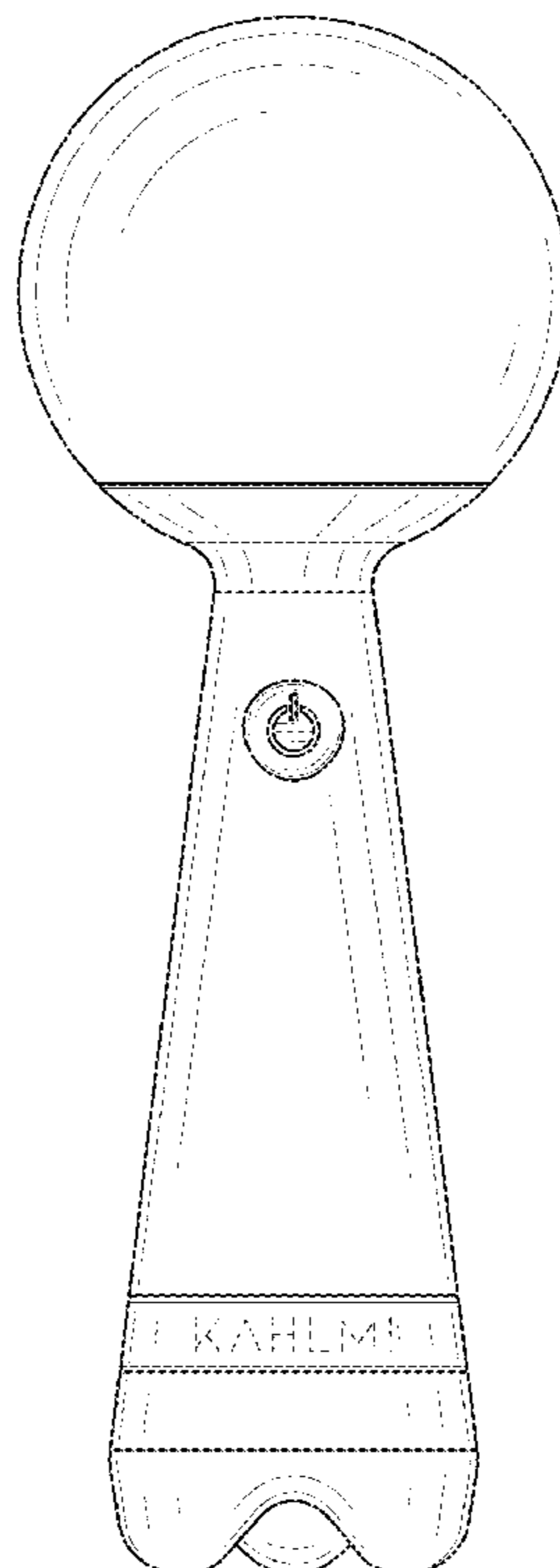
FIG. 1 is a front elevational view of a handheld infant massager showing my new design;
FIG. 2 is a top front perspective view thereof;
FIG. 3 is a bottom rear perspective view thereof; and,
FIG. 4 is a bottom front perspective view thereof.
The broken lines shown in the drawings are for the purpose of illustrating portions of the handheld infant massager, which form no part of the claimed design.

(56) **References Cited**

U.S. PATENT DOCUMENTS

6,102,876 A * 8/2000 Winger A61H 15/0092
601/107
D725,790 S * 3/2015 Givord D24/214
D837,995 S * 1/2019 Josselyn D24/215
D849,260 S * 5/2019 Wersland D24/211
D850,640 S * 6/2019 Wersland D24/211
D890,942 S * 7/2020 Wersland D24/211
D910,870 S * 2/2021 Marton D24/215

1 Claim, 4 Drawing Sheets



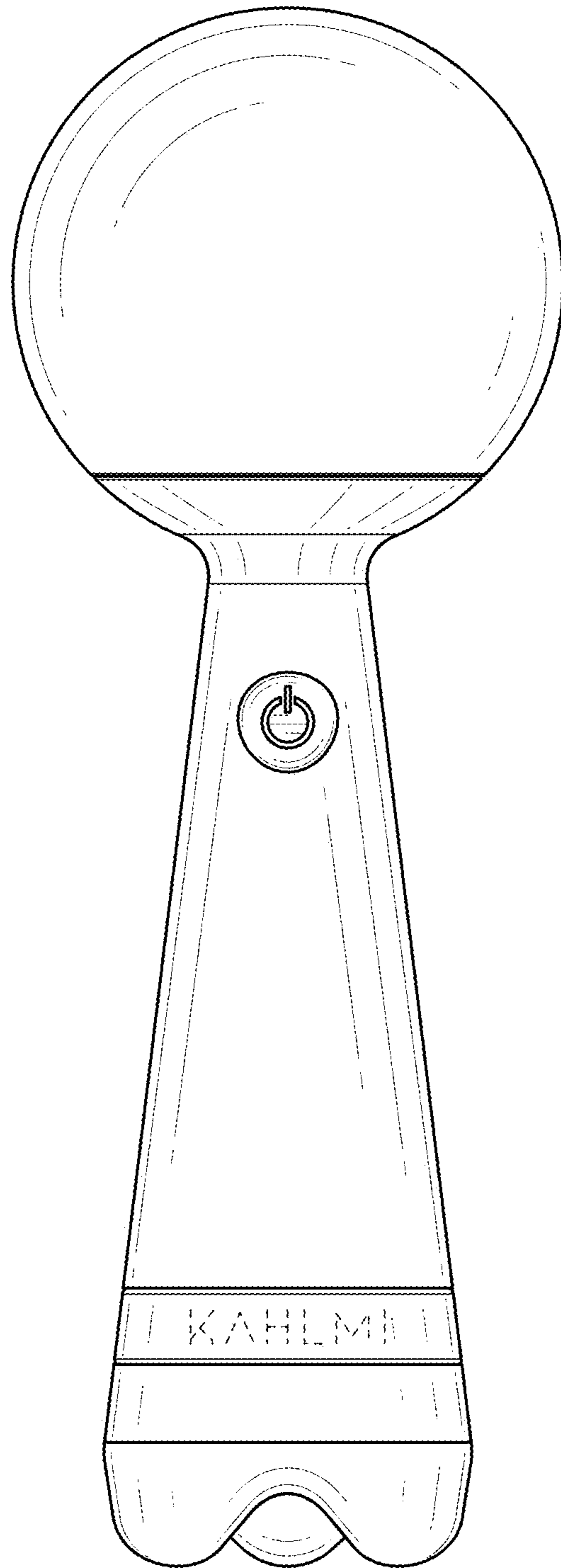


FIG. 1

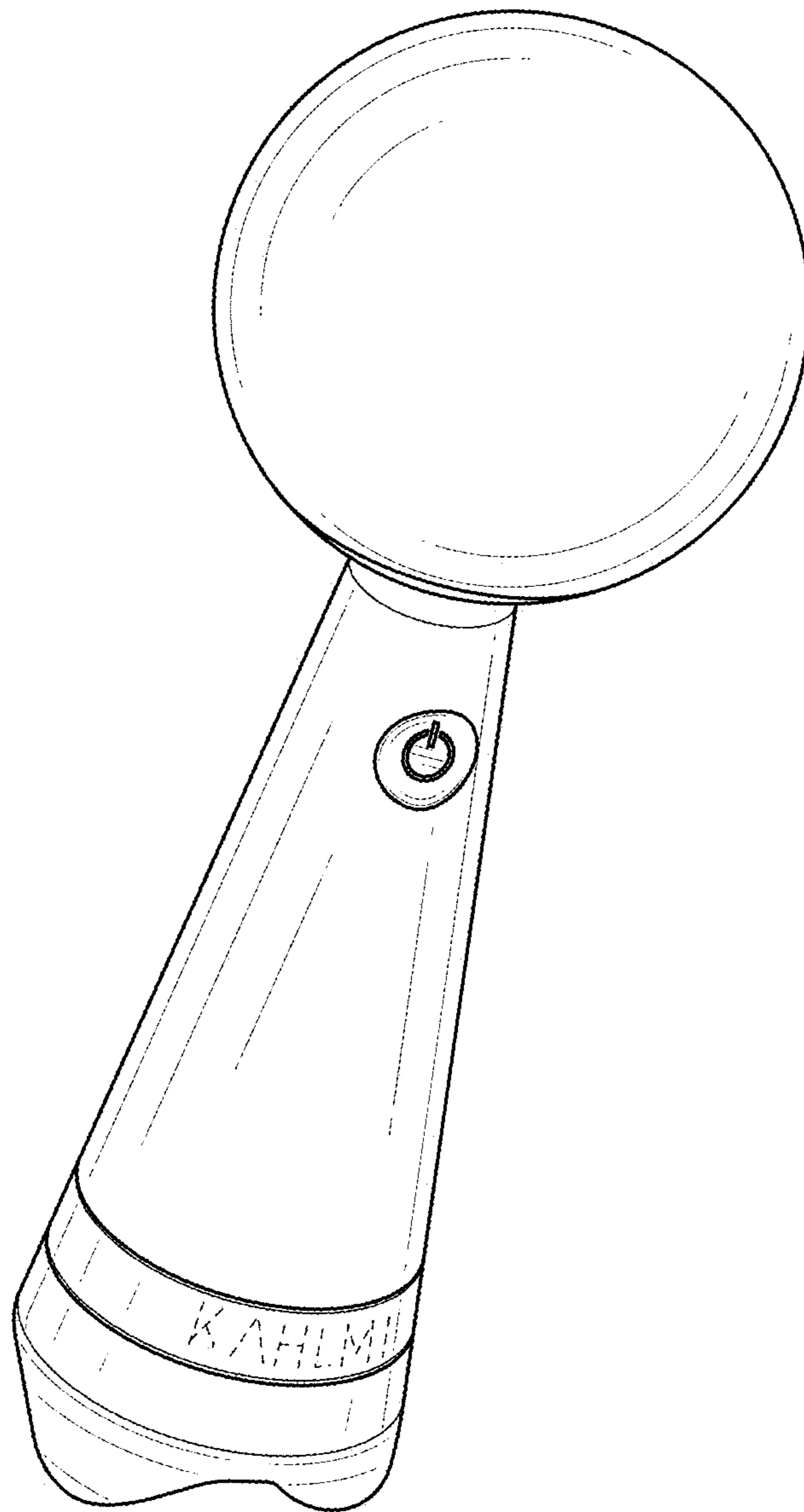


FIG. 2

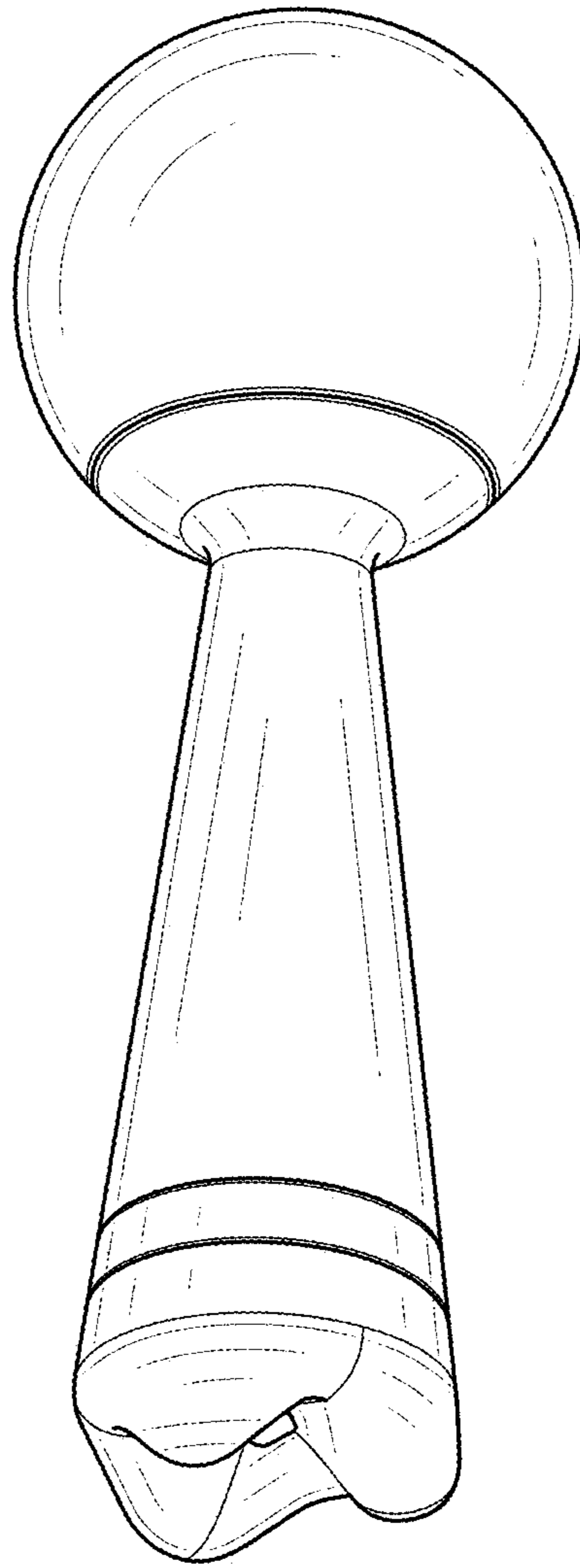


FIG. 3

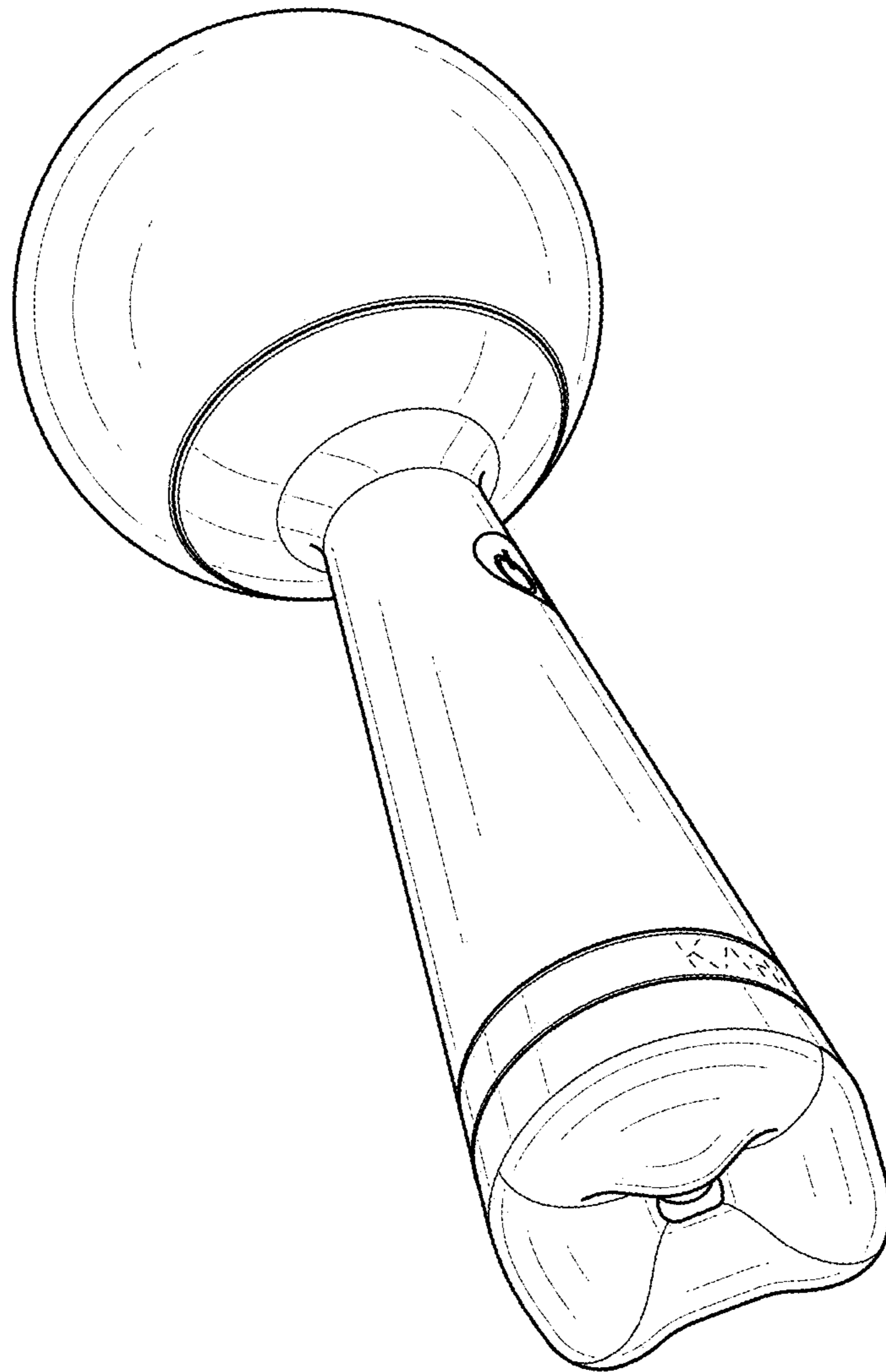


FIG. 4