



US00D977128S

(12) **United States Design Patent**  
**Brown**

(10) **Patent No.:** **US D977,128 S**  
(45) **Date of Patent:** **\*\* Jan. 31, 2023**

(54) **RELAXATION DEVICE**

(71) Applicant: **FKA Distributing Co., LLC**,  
Commerce Township, MI (US)

(72) Inventor: **Karen Brown**, Kent (GB)

(73) Assignee: **FKA Distributing Co., LLC**,  
Commerce Township, MI (US)

(\*\*) Term: **15 Years**

(21) Appl. No.: **29/777,981**

(22) Filed: **Apr. 9, 2021**

(51) **LOC (14) Cl.** ..... **24-01**

(52) **U.S. Cl.**  
USPC ..... **D24/211; D24/200**

(58) **Field of Classification Search**  
USPC ..... D24/200, 211–215  
CPC . A61H 1/00; A61H 1/001; A61H 7/00; A61H  
7/002; A61H 7/003; A61H 7/004; A61H  
7/005; A61H 2007/009; A61H 2015/0007;  
A61H 2015/0042; A61H 2015/0064;  
A61H 15/0092; A61H 15/00  
See application file for complete search history.

(56) **References Cited**

**U.S. PATENT DOCUMENTS**

5,472,459	A *	12/1995	Atkinson	.....	A61H 7/003 51/296
5,595,579	A *	1/1997	Atkinson	.....	A61H 7/003 51/296
D378,539	S *	3/1997	Scott	.....	D24/211
D403,076	S *	12/1998	York	.....	D24/211
D403,428	S *	12/1998	Russo	.....	D24/200

(Continued)

**FOREIGN PATENT DOCUMENTS**

WO	2011045709	A1	4/2011
WO	2012117376	A1	9/2012

**OTHER PUBLICATIONS**

<https://thedrug.store/products/dodow-sleep-aid-device>, Dodow Sleep Aid Device, accessed on Mar. 8, 2021, 4 pages.

*Primary Examiner* — Wan Laymon

(74) *Attorney, Agent, or Firm* — Brooks Kushman P.C.

(57) **CLAIM**

The ornamental design for a relaxation device, as shown and described.

**DESCRIPTION**

FIG. 1 is a perspective view of a relaxation device according to an embodiment;

FIG. 2 is a front view of the relaxation device of FIG. 1;

FIG. 3 is a rear view of the relaxation device of FIG. 1;

FIG. 4 is a left side view of the relaxation device of FIG. 1;

FIG. 5 is a right side view of the relaxation device of FIG. 1;

FIG. 6 is a top view of the relaxation device of FIG. 1;

FIG. 7 is a bottom view of the relaxation device of FIG. 1;

FIG. 8 is an exploded perspective view of a relaxation device according to another embodiment;

FIG. 9 is an exploded front view of the relaxation device of FIG. 8;

FIG. 10 is an exploded rear view of the relaxation device of FIG. 8;

FIG. 11 is an exploded left side view of the relaxation device of FIG. 8;

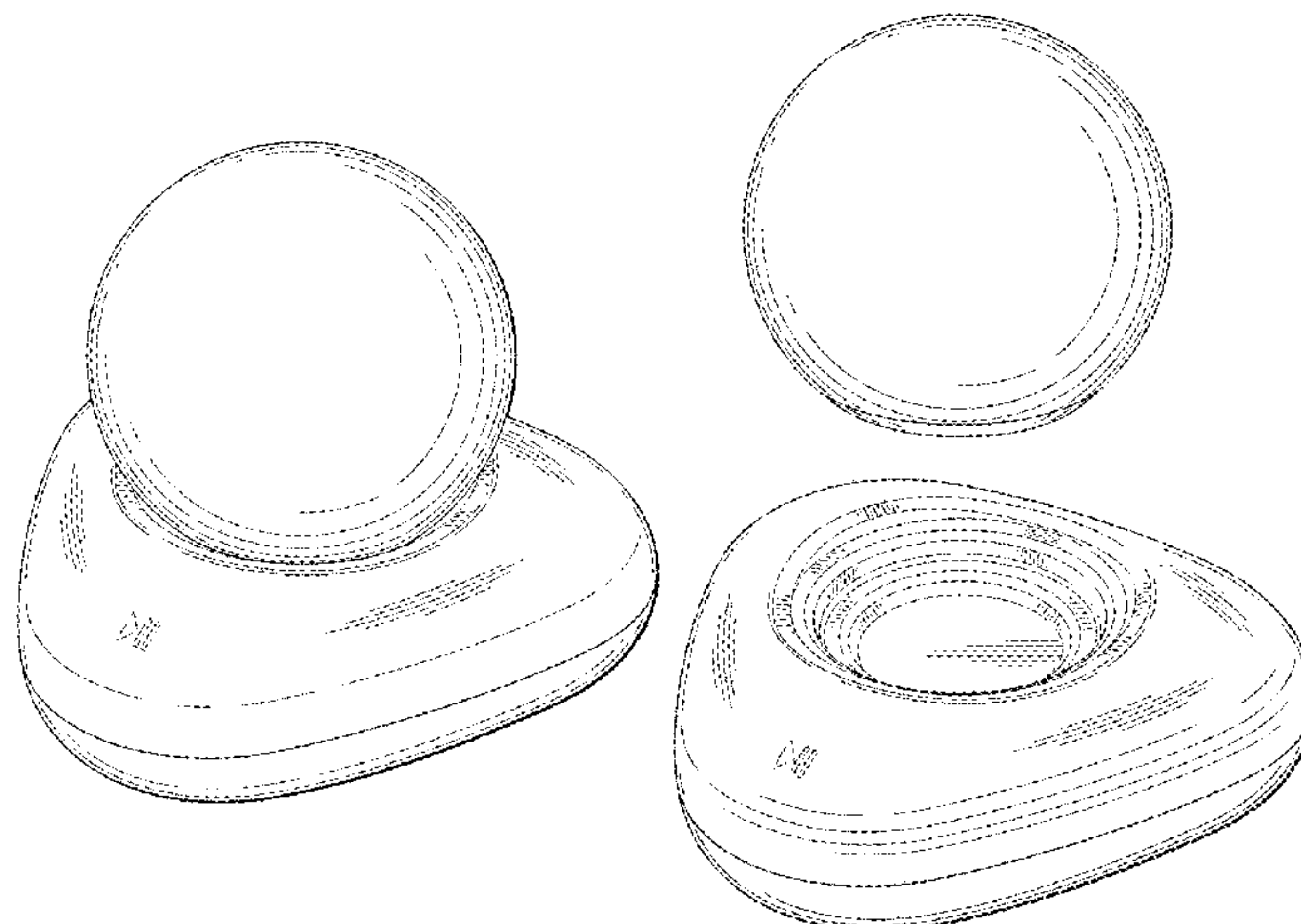
FIG. 12 is an exploded right side view of the relaxation device of FIG. 8;

FIG. 13 is an exploded top view of the relaxation device of FIG. 8; and,

FIG. 14 is an exploded bottom view of the relaxation device of FIG. 8.

The broken lines shown in the drawings depict portions of the relaxation device and form no part of the claimed design.

**1 Claim, 8 Drawing Sheets**



(56)

**References Cited**

U.S. PATENT DOCUMENTS

6,212,135	B1	4/2001	Schreiber	
D454,644	S *	3/2002	York .....	D24/214
D469,880	S *	2/2003	York .....	D24/214
D502,264	S *	2/2005	Timmer .....	D24/211
D535,752	S *	1/2007	Smith .....	D24/214
D617,467	S *	6/2010	Dworzan .....	D24/211
D765,873	S *	9/2016	Hetzel .....	D24/214
D789,548	S *	6/2017	Cheng .....	D24/211
D806,889	S *	1/2018	Holland .....	D24/211
10,004,454	B2	6/2018	Krans et al.	
D870,908	S *	12/2019	Hyder .....	A61H 15/00 D24/211
2015/0223970	A1 *	8/2015	Holland .....	A61H 15/00 601/19
2016/0279017	A1 *	9/2016	Hyder .....	A61H 15/00

\* cited by examiner

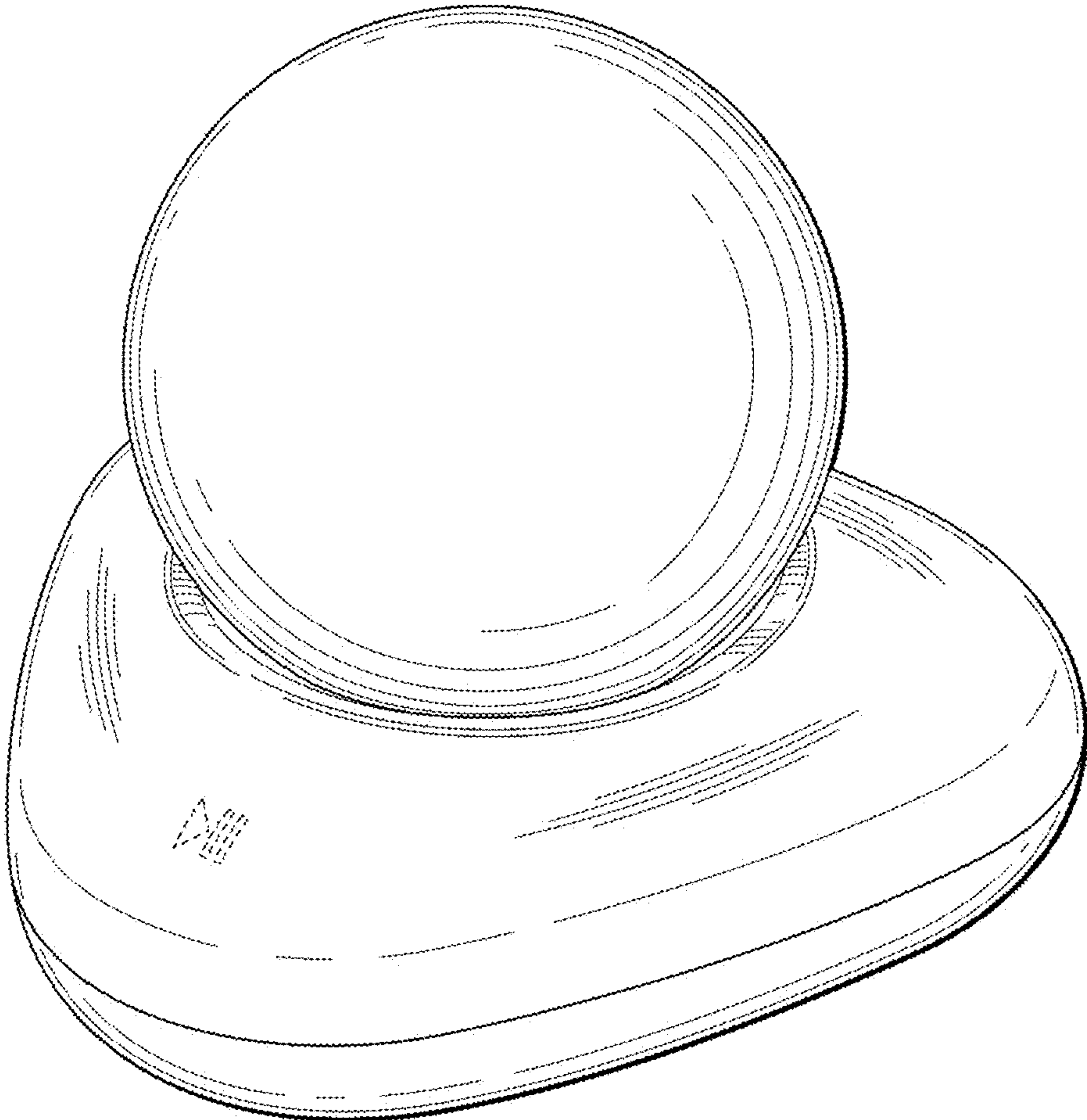
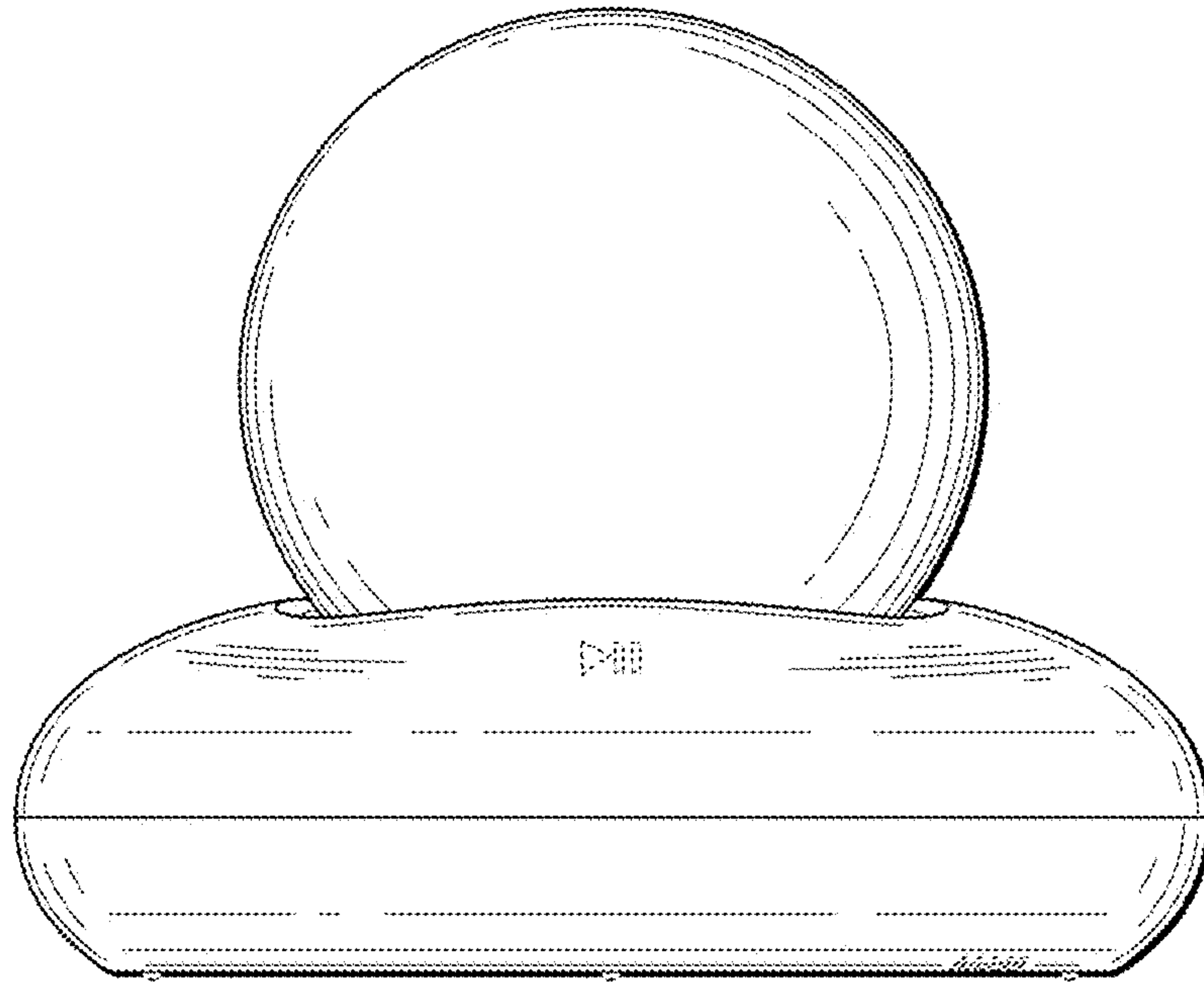
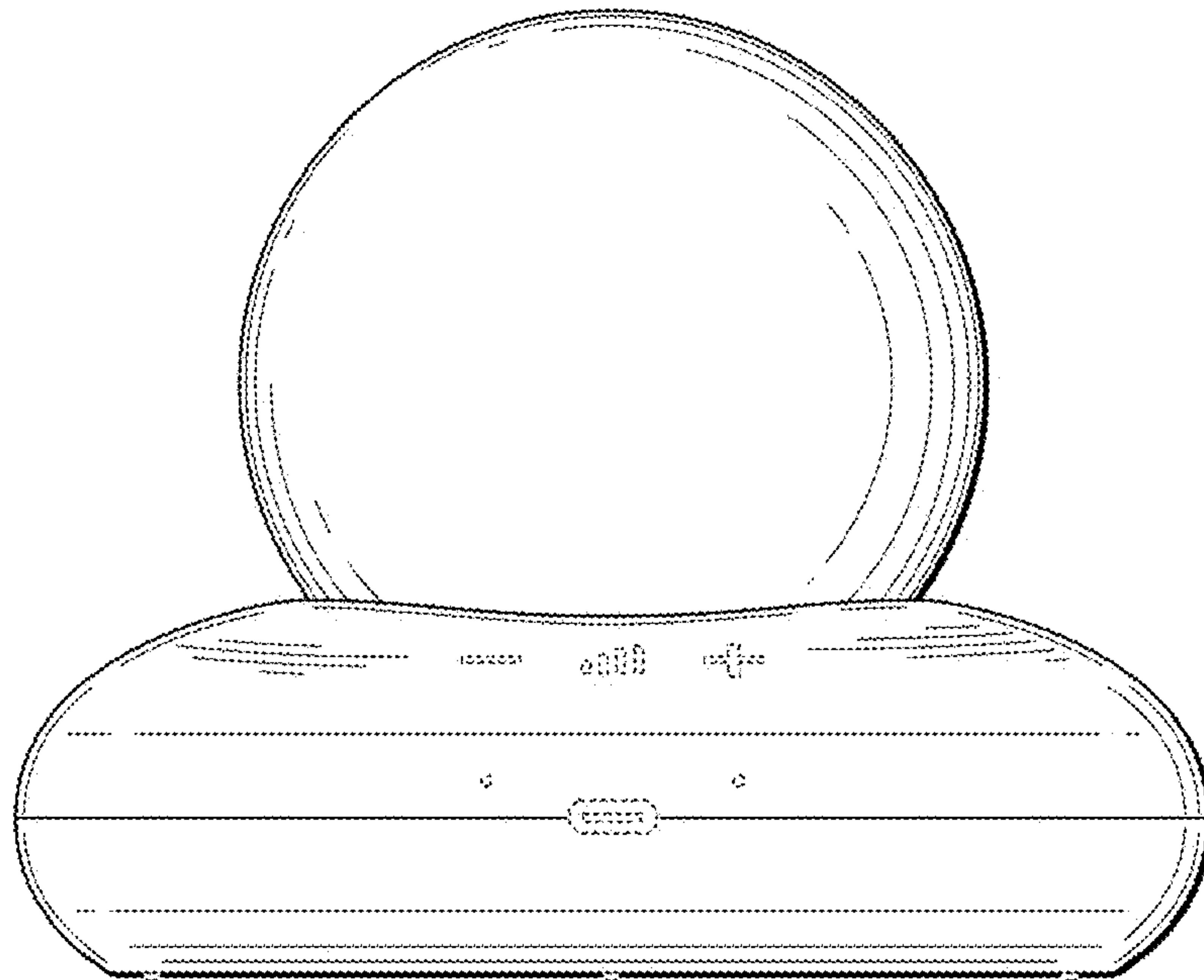


FIG. 1

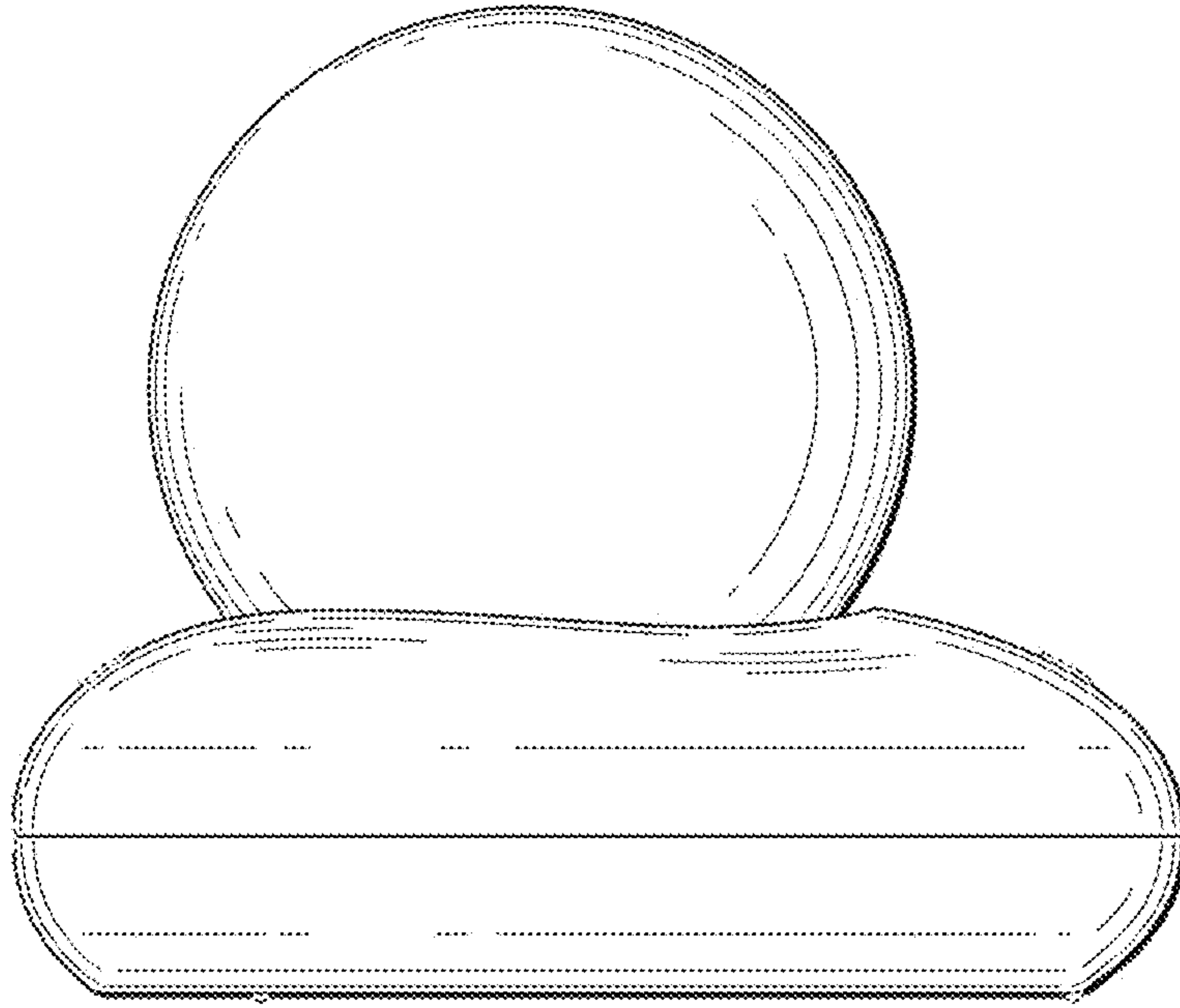


**FIG. 2**

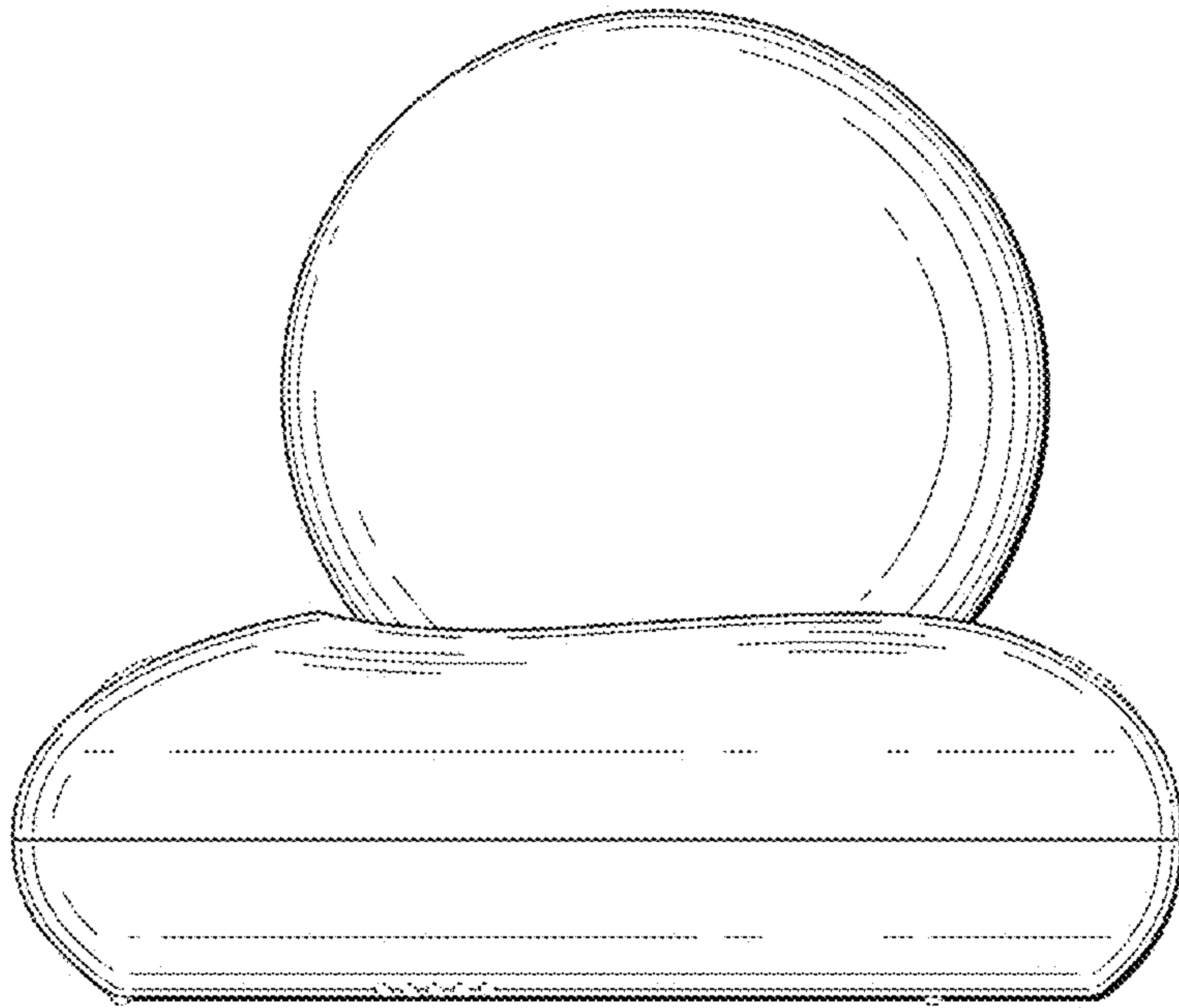


**FIG. 3**





**FIG. 4**



**FIG. 5**

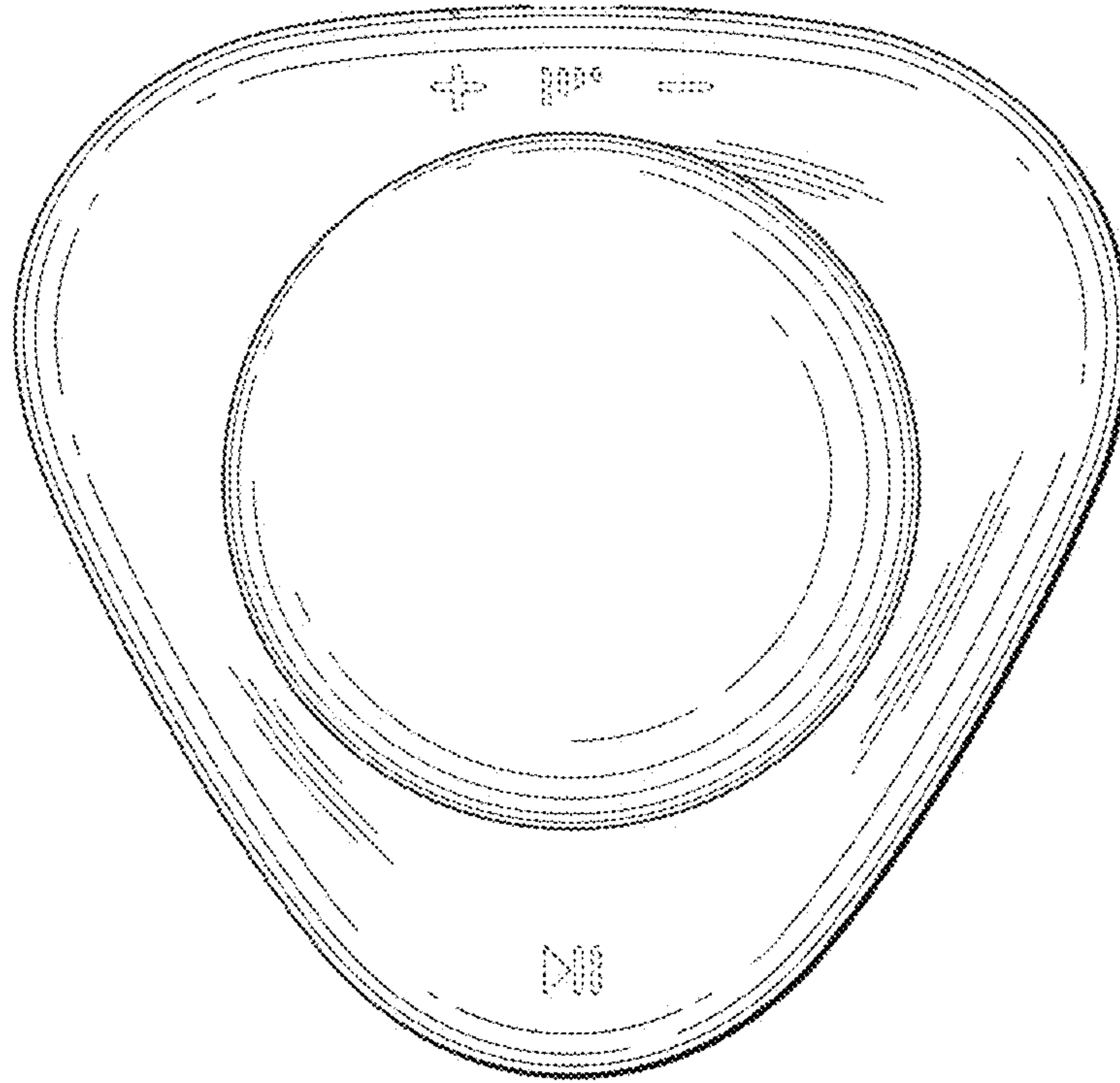


FIG. 6

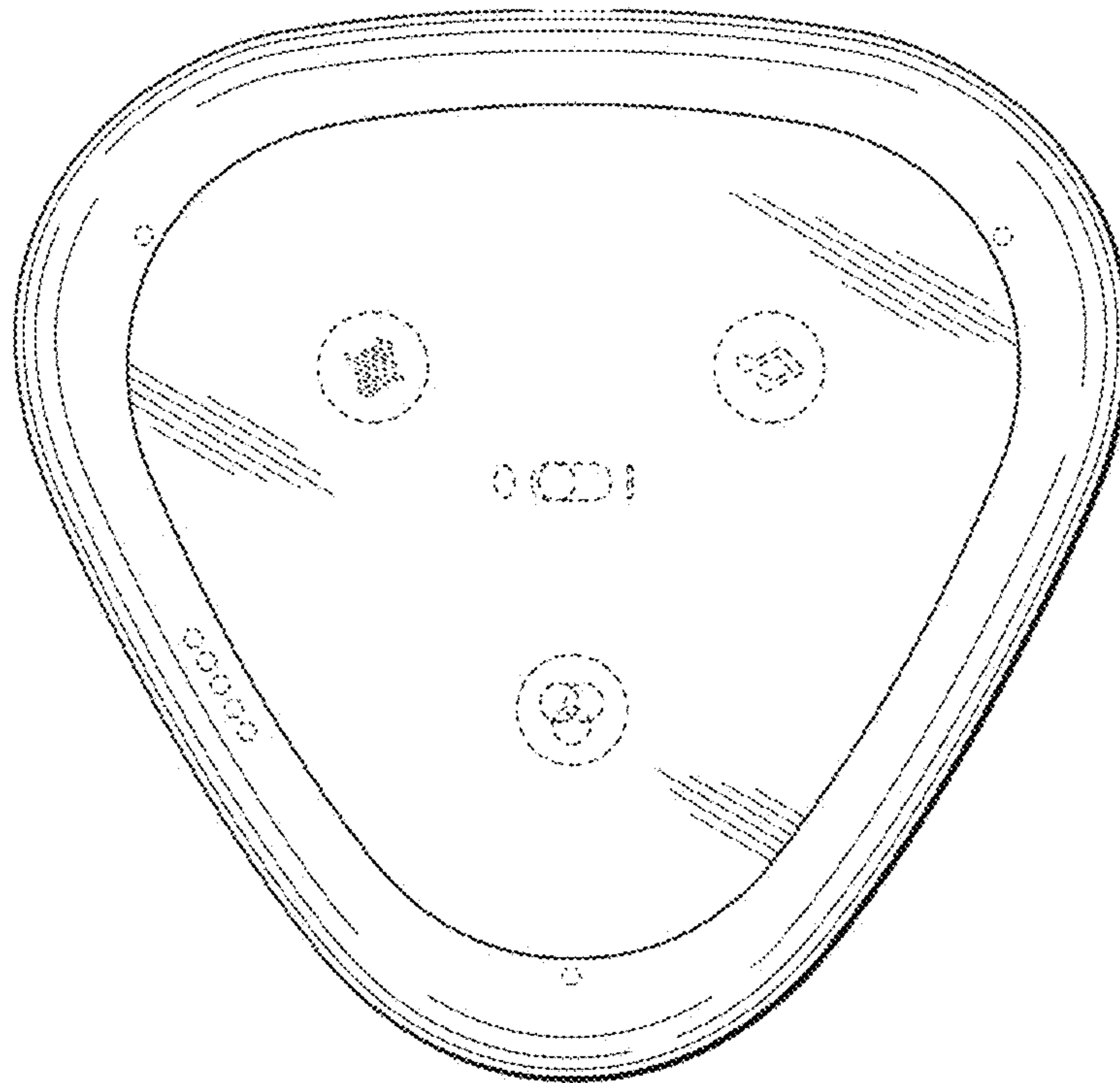


FIG. 7

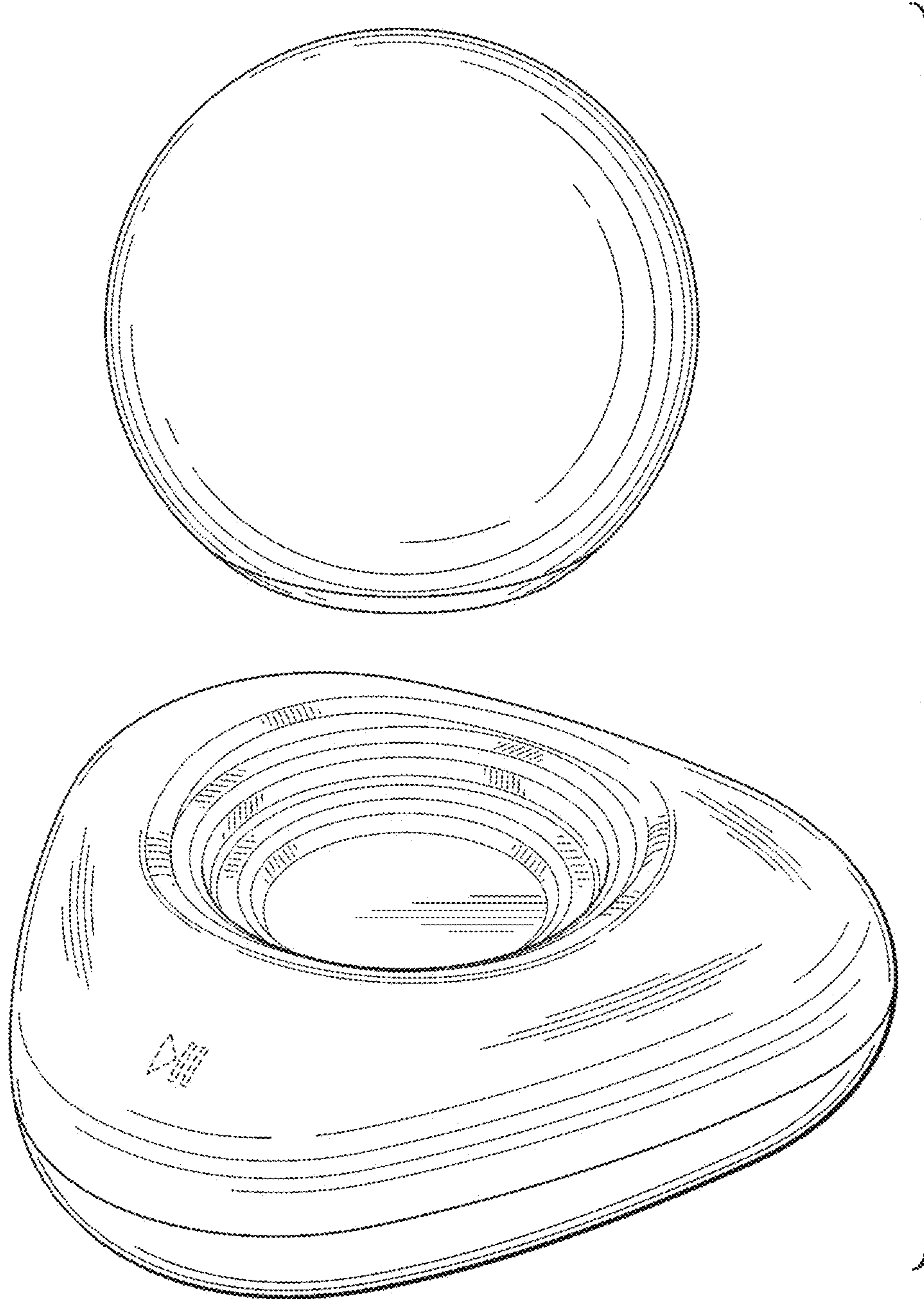


FIG. 8



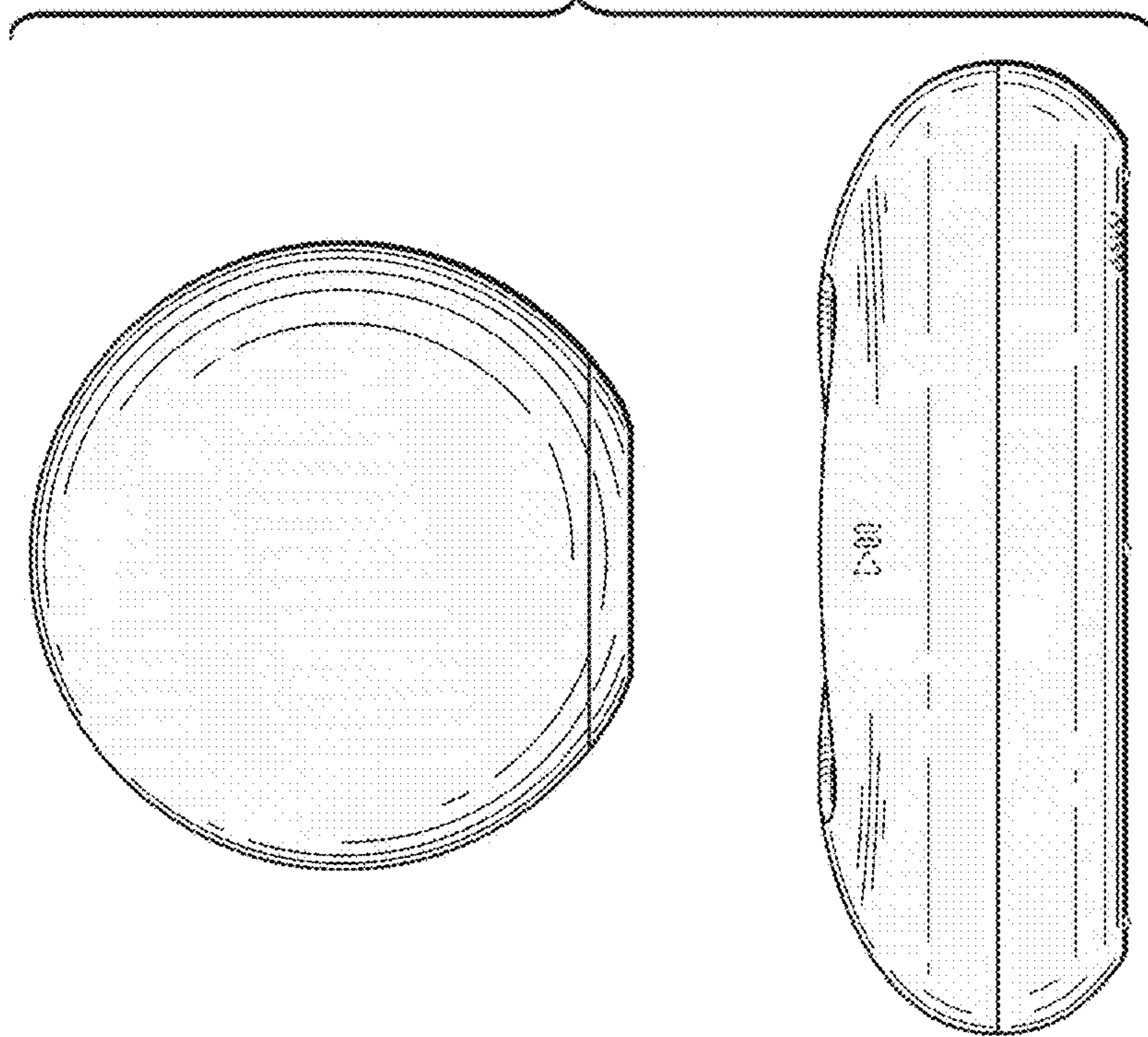


FIG. 9

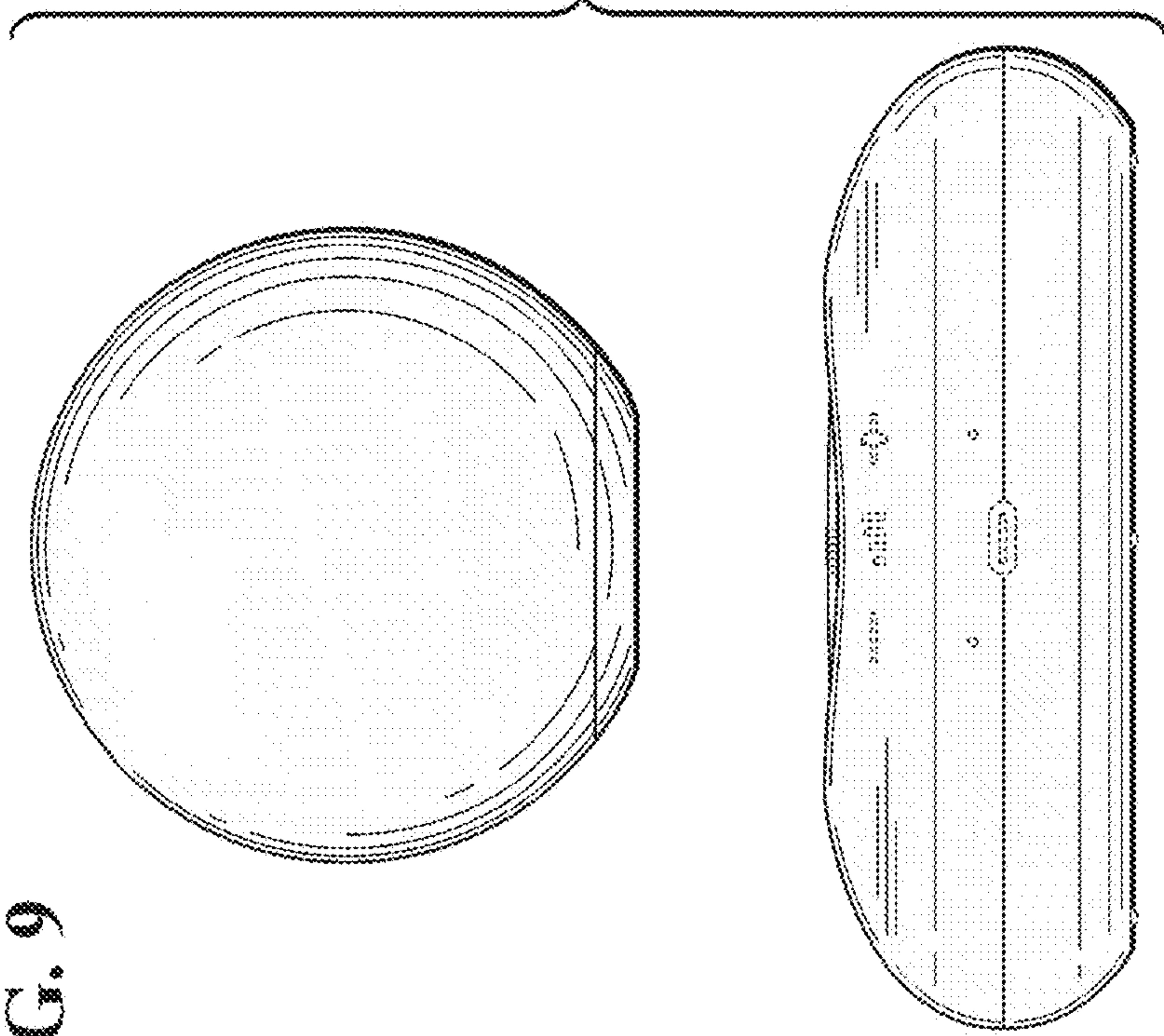
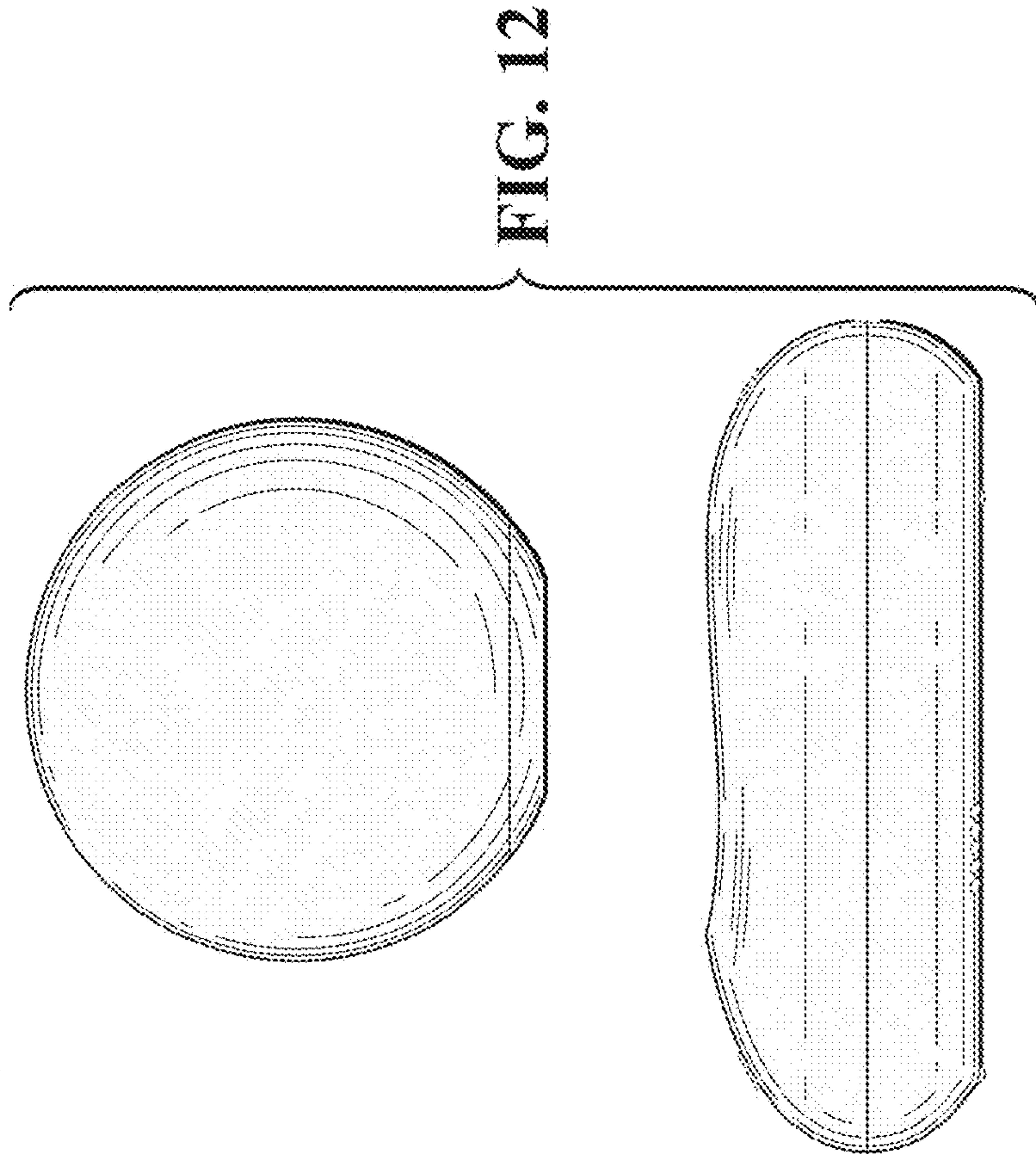
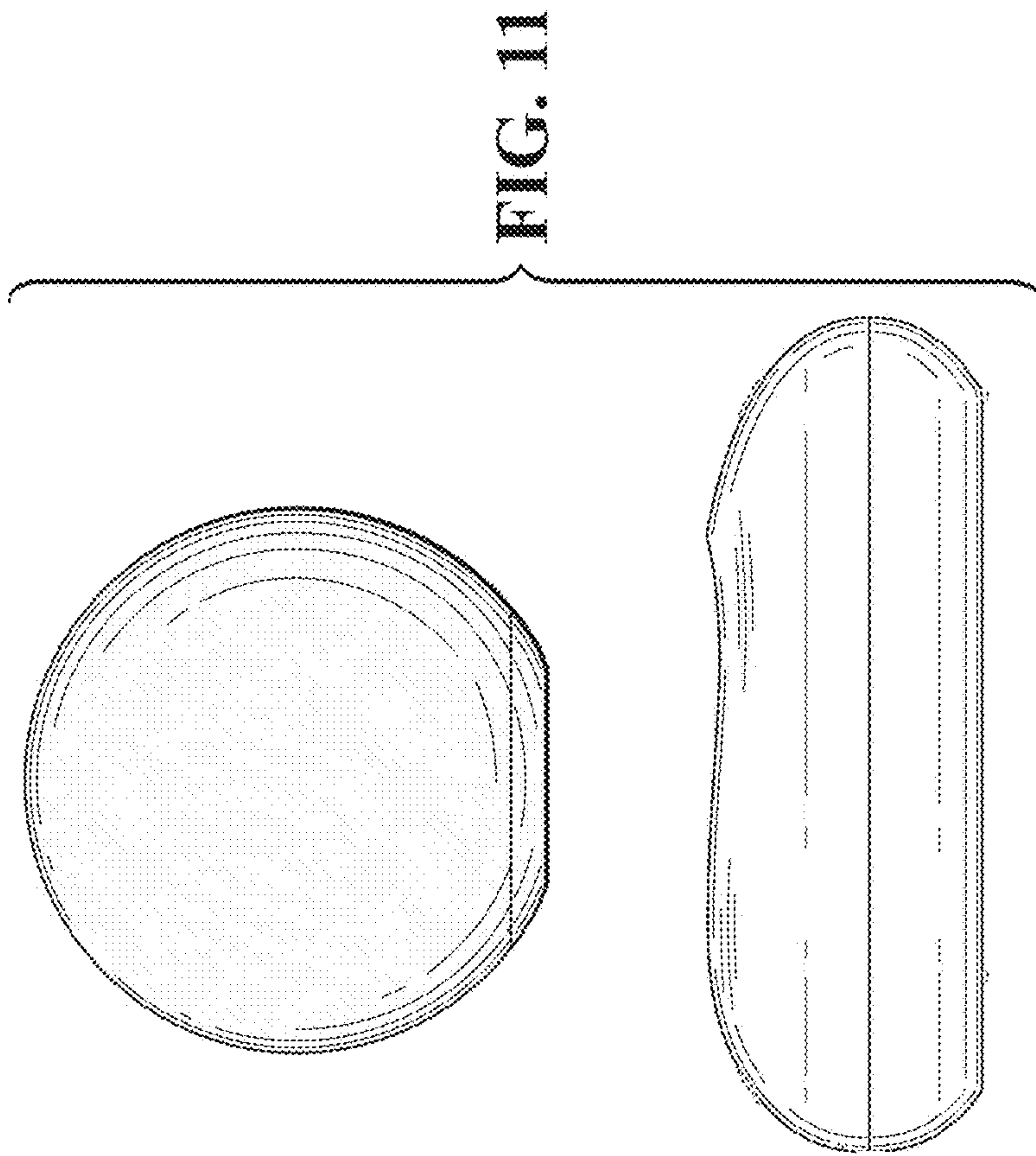


FIG. 10





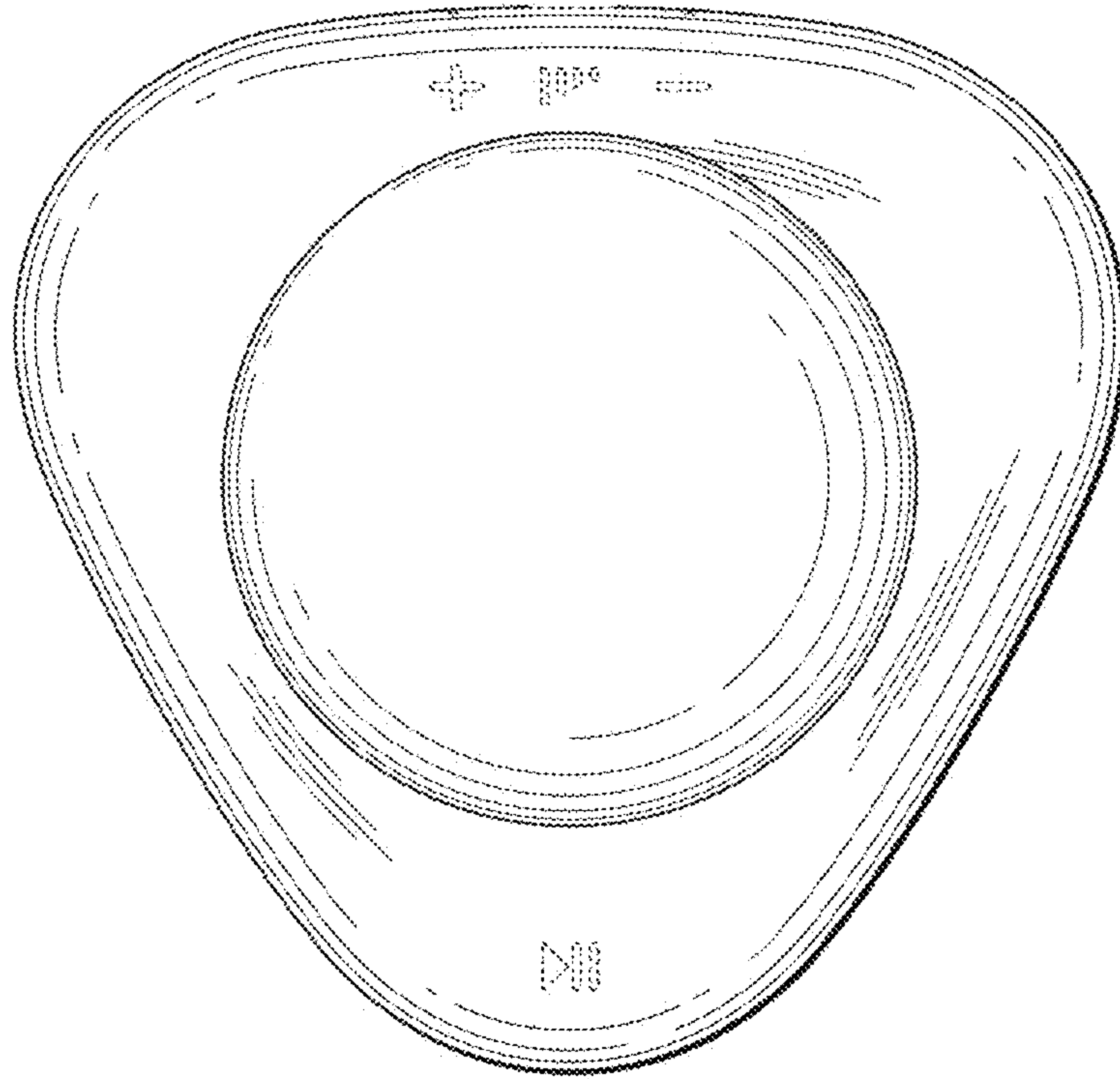


FIG. 13

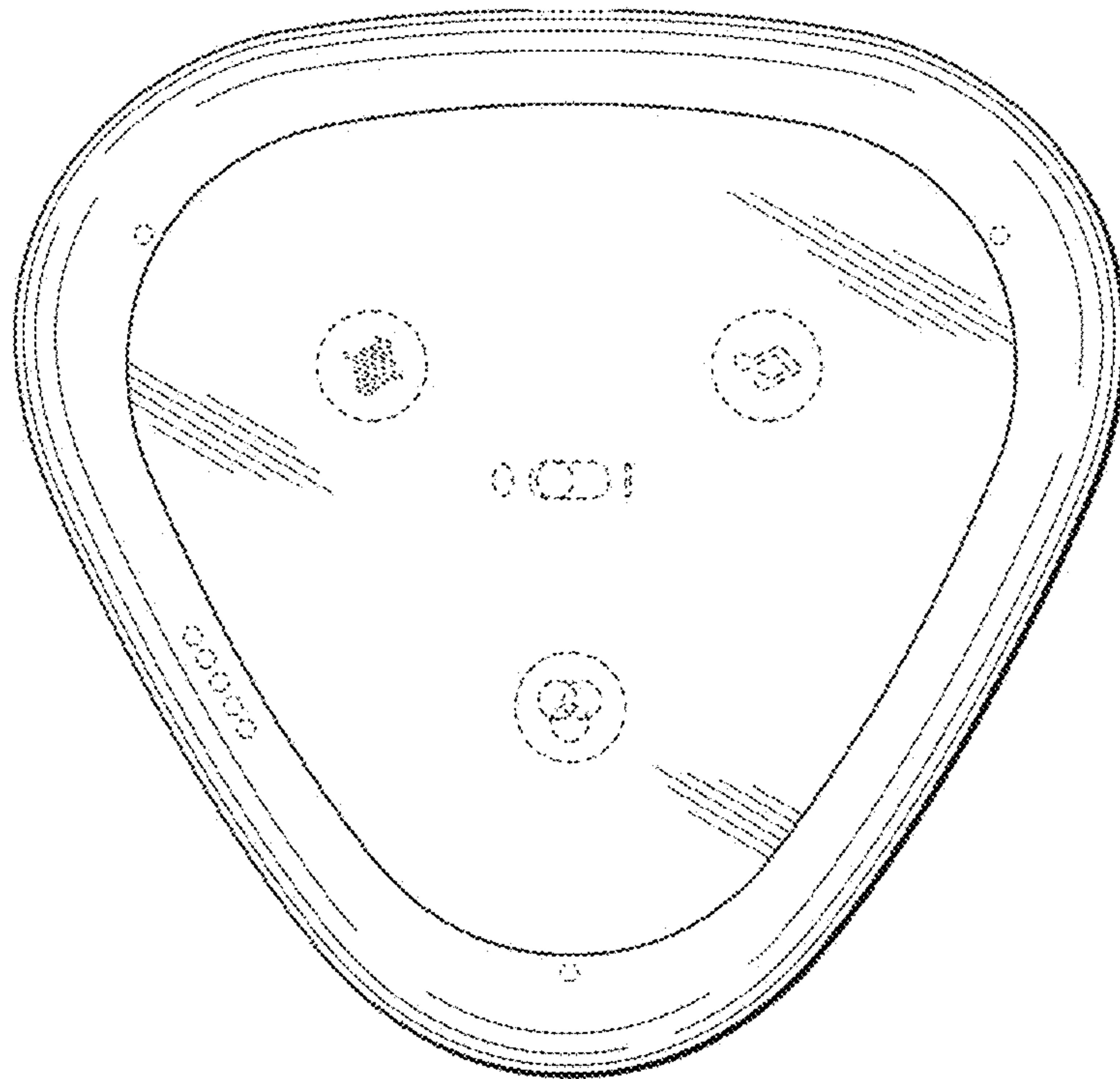


FIG. 14