



US00D977121S

(12) **United States Design Patent**
Hsu

(10) **Patent No.:** **US D977,121 S**
(45) **Date of Patent:** **** Jan. 31, 2023**

(54) **TENS DEVICE**

(71) Applicant: **Raymond Hsu**, Shenzhen (CN)

(72) Inventor: **Raymond Hsu**, Shenzhen (CN)

(**) Term: **15 Years**

(21) Appl. No.: **29/752,626**

(22) Filed: **Sep. 28, 2020**

(51) **LOC (14) Cl.** **24-01**

(52) **U.S. Cl.**
USPC **D24/200**

(58) **Field of Classification Search**
USPC D24/200, 214–215, 185–186, 165;
D14/218

CPC A61N 1/04; A61N 1/0404; A61N 1/0456;
A61N 1/06; A61N 1/08; A61N 1/32;
A61N 1/36; A61N 1/36003; A61N
1/36014; A61N 1/36017; A61N 1/36021;
A61N 1/36057; A61N 1/36071; A61N
1/36128

See application file for complete search history.

(56) **References Cited**

U.S. PATENT DOCUMENTS

8,160,694 B2 * 4/2012 Salmon A61N 1/37247
607/2
8,855,777 B2 * 10/2014 King A61N 1/36071
607/46

9,020,599 B2 * 4/2015 Rooney A61N 1/36021
607/46
9,320,847 B2 * 4/2016 Rooney A61N 1/36021
D802,780 S * 11/2017 Hsu D24/200
D830,565 S * 10/2018 Xu D24/200
D836,789 S * 12/2018 Jiang D24/200
D927,004 S * 8/2021 Peng D24/200
D932,637 S * 10/2021 Hsu D24/200
11,324,951 B2 * 5/2022 Samejima A61N 1/36

* cited by examiner

Primary Examiner — Wan Laymon

(74) *Attorney, Agent, or Firm* — Alexander Chen, Esq.

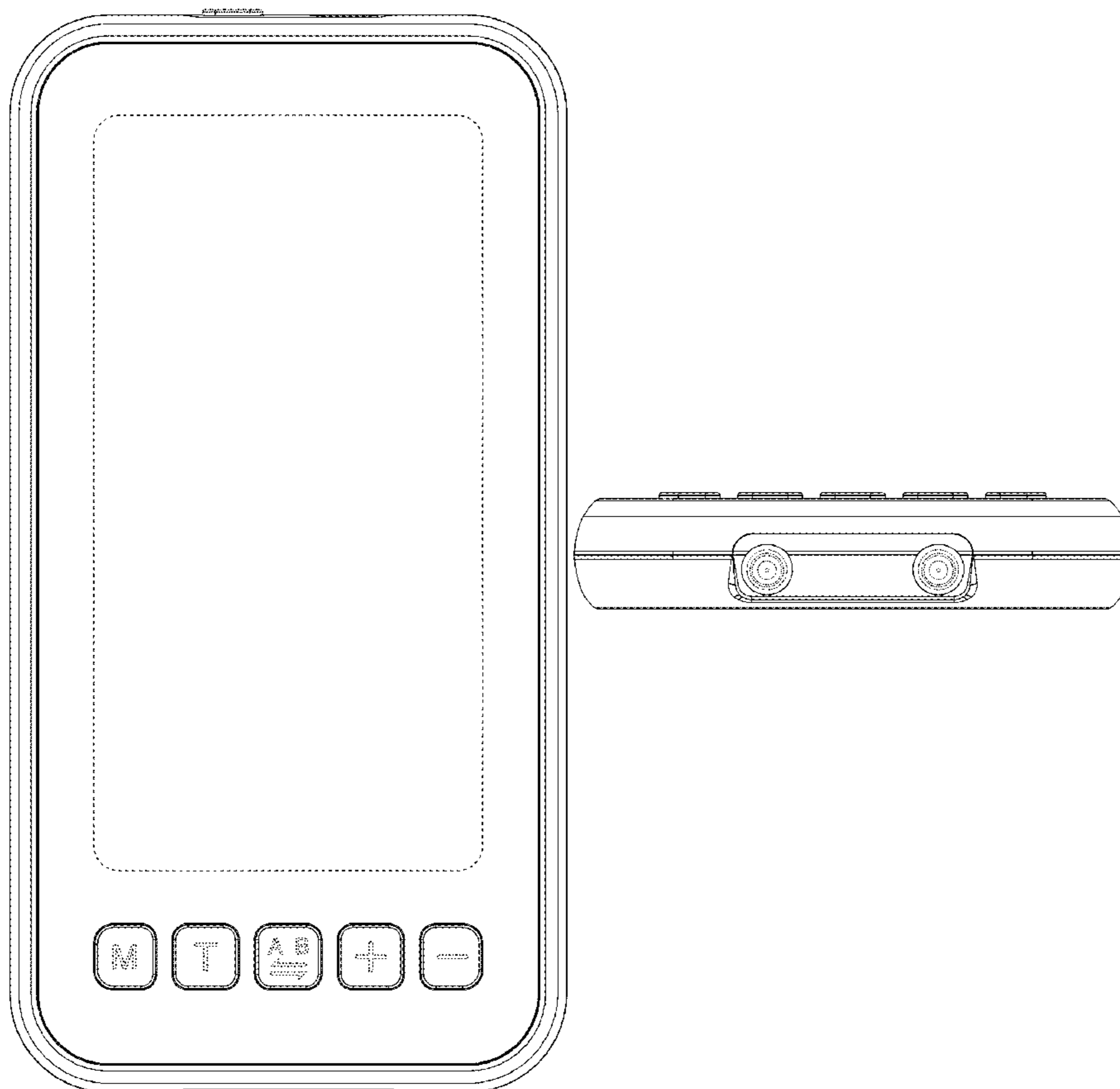
(57) **CLAIM**

The ornamental design for a TENS device, as shown and described.

DESCRIPTION

FIG. 1 is a bottom view of a TENS device;
FIG. 2 is a side view thereof;
FIG. 3 is a front view thereof;
FIG. 4 is a top view thereof;
FIG. 5 is a side view thereof; and,
FIG. 6 is a back view thereof.
The broken lines in the drawings depict portions of the article that form no part of the claimed design.

1 Claim, 6 Drawing Sheets



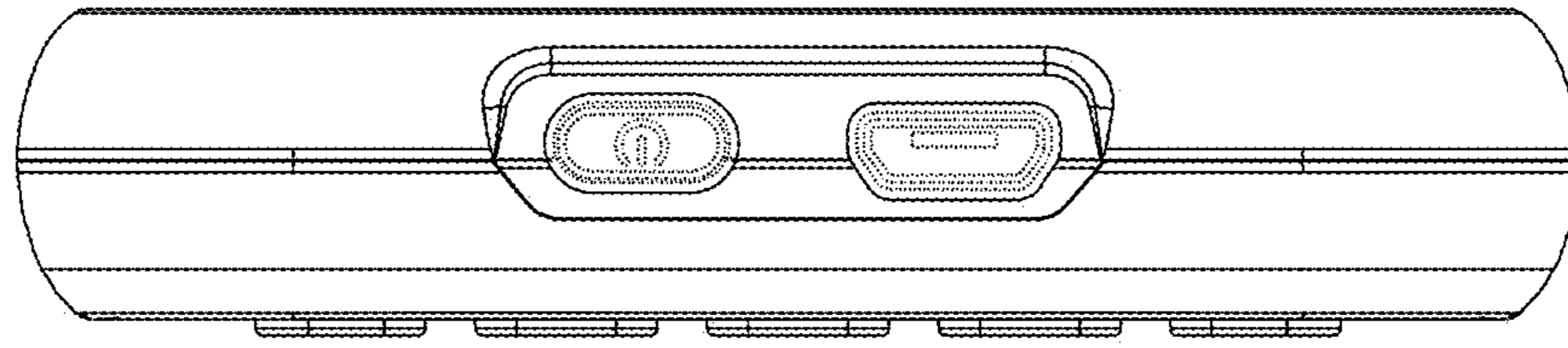


FIG. 1

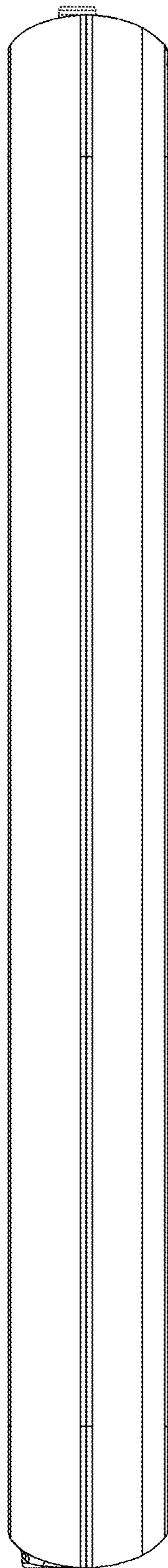


FIG. 2

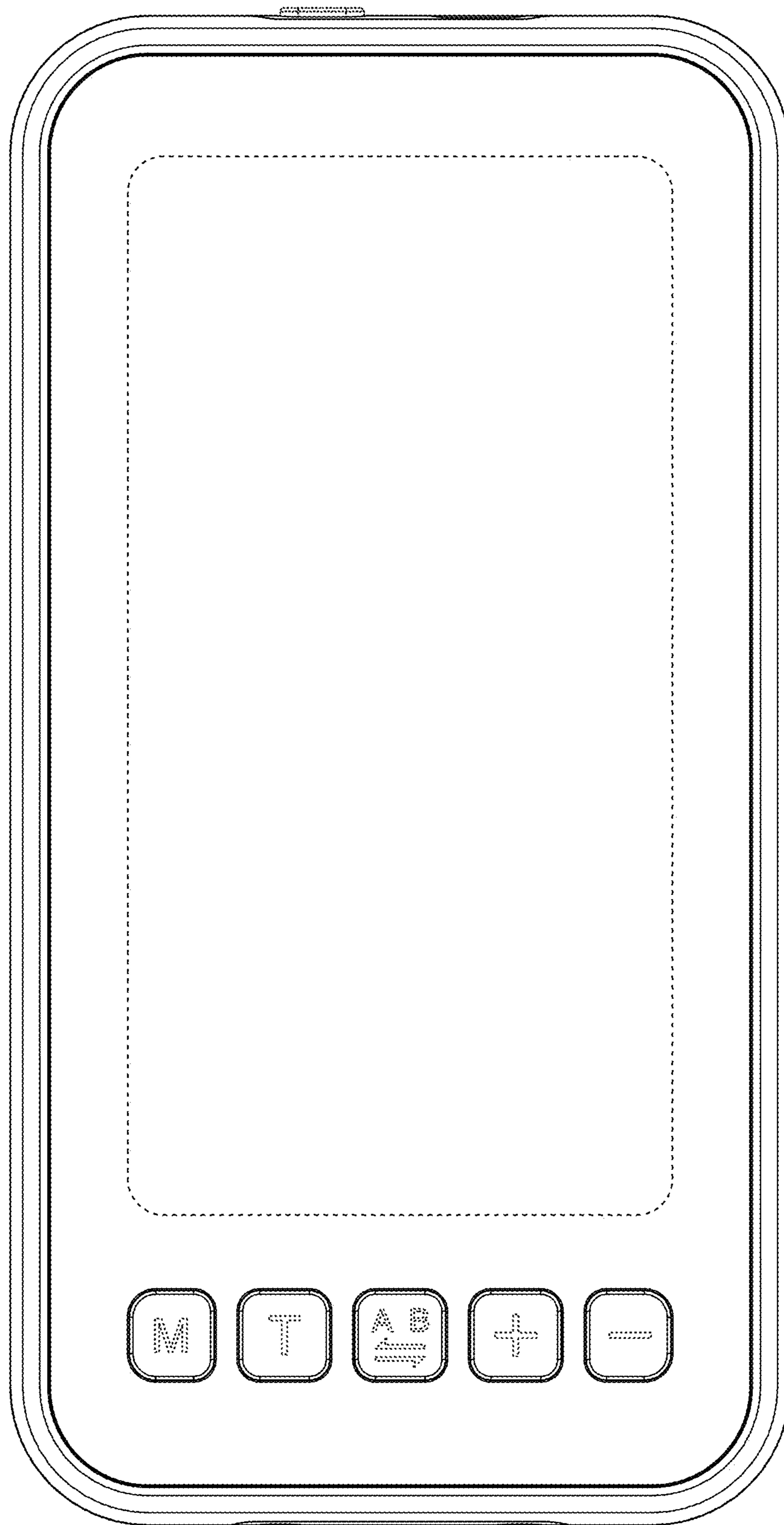


FIG. 3

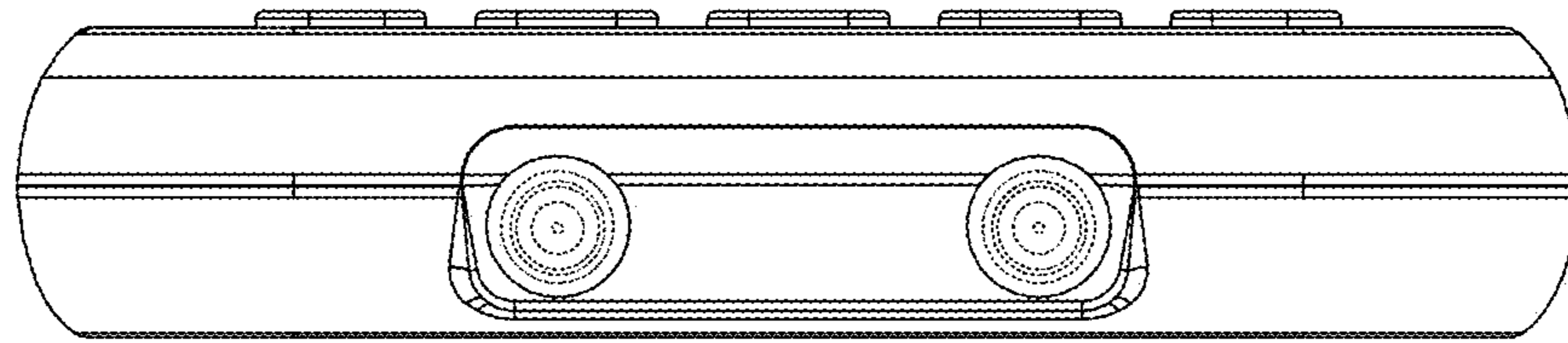


FIG. 4

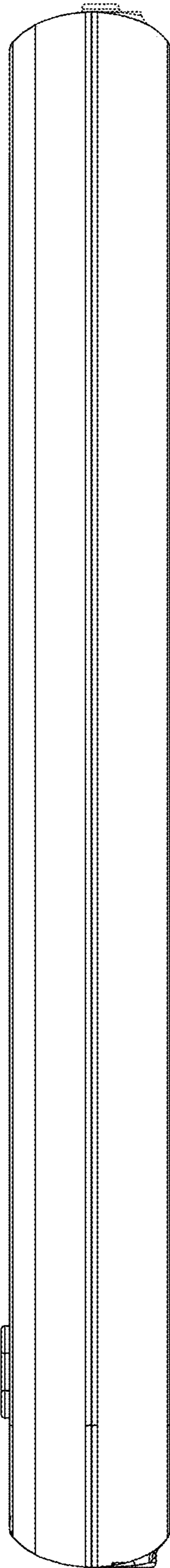


FIG. 5

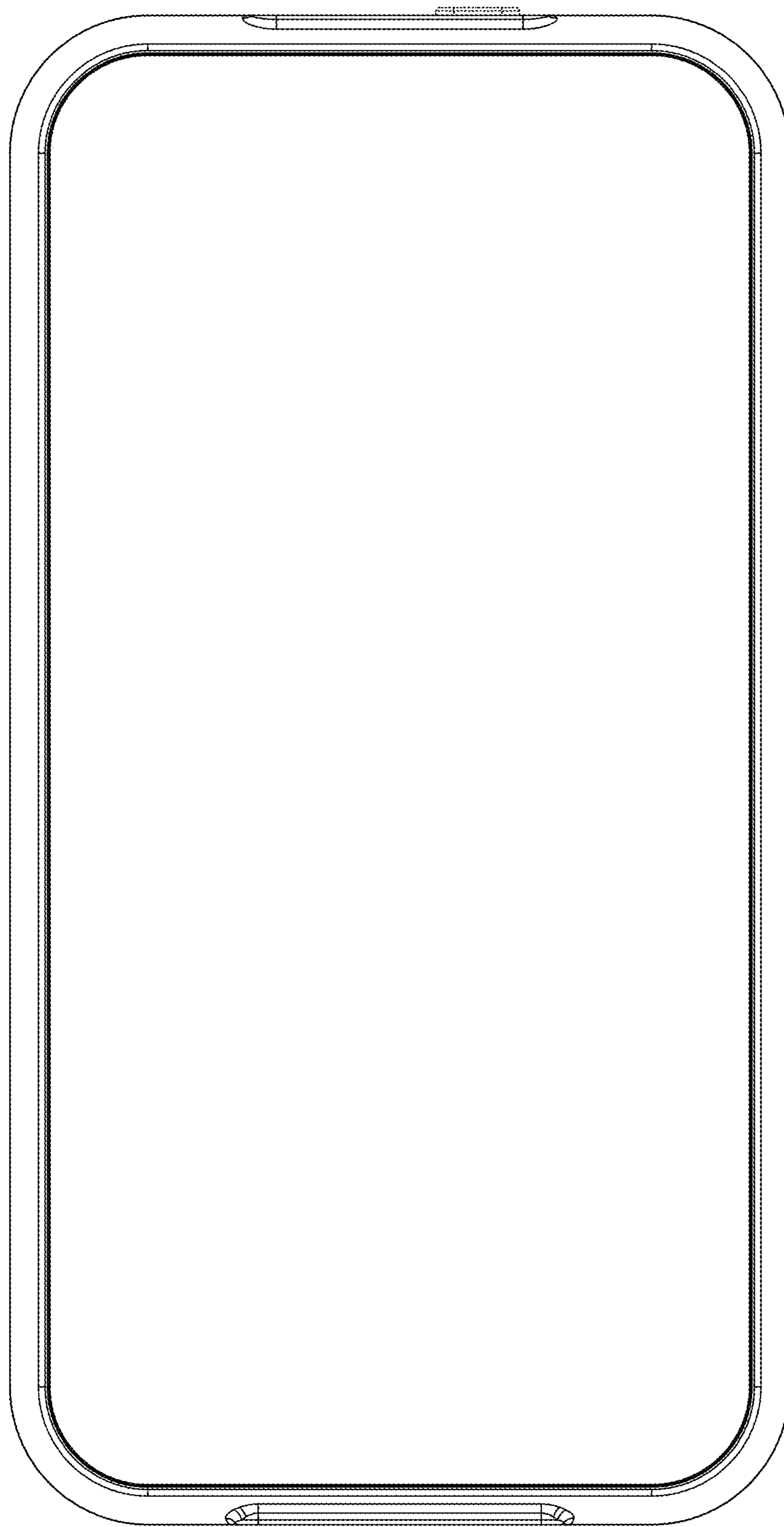


FIG. 6