



US00D977112S

(12) **United States Design Patent** (10) **Patent No.:** **US D977,112 S**
Kaidantsis et al. (45) **Date of Patent:** **** Jan. 31, 2023**

(54) CART	2,809,767 A * 10/1957 Michalsky B65D 71/0003 206/202
(71) Applicant: Medline Industries, LP , Northfield, IL (US)	2,832,630 A 4/1958 Sterling 2,839,310 A 6/1958 Livingston 2,893,578 A 7/1959 Paul 2,896,815 A * 7/1959 Longan B65D 71/0003 206/202
(72) Inventors: Stephen Kaidantsis , Chicago, IL (US); Drew Phalen , Skokie, IL (US); Vincent Hahn , Chicago, IL (US)	2,901,261 A 8/1959 Olvey 2,967,641 A * 1/1961 Versack A47J 47/14 206/202
(73) Assignee: Medline Industries, LP , Northfield, IL (US)	3,052,441 A 9/1962 Fleischman 3,191,786 A 6/1965 Langrell 3,698,733 A 10/1972 Isaacs 4,521,030 A 6/1985 Vance D281,453 S 11/1985 DiGianfilippo D310,570 S 9/1990 Wells D343,712 S * 1/1994 Linder D6/513 5,299,816 A 4/1994 Vom Braucke 5,490,684 A 2/1996 Chapman 5,687,984 A 11/1997 Samuel
(**) Term: 15 Years	
(21) Appl. No.: 29/770,706	
(22) Filed: Feb. 16, 2021	

Related U.S. Application Data

(63) Continuation of application No. 29/683,785, filed on Mar. 15, 2019, now Pat. No. Des. 914,217.

(51) **LOC (14) Cl.** **24-02**

(52) **U.S. Cl.**
USPC **D24/185**

(58) **Field of Classification Search**
USPC D24/185, 164, 162; D6/306, 675.5, D6/682.1, 518, 553, 566, 513; D9/416; D19/90; D7/600, 600.1; D3/304, 306, D3/318, 307; D8/380
CPC B65D 21/046; B65D 71/0003; B65D 7/26; B65D 7/28; B65H 35/10; A47J 47/14; A47G 9/0223
See application file for complete search history.

(56) **References Cited**

U.S. PATENT DOCUMENTS

1,283,389 A * 10/1918 Willis et al. B65D 7/26 211/74
2,697,540 A * 12/1954 Malliaris B65D 71/0003 206/202

Primary Examiner — Rhea Shields

(74) *Attorney, Agent, or Firm* — Fitch, Even, Tabin & Flannery LLP

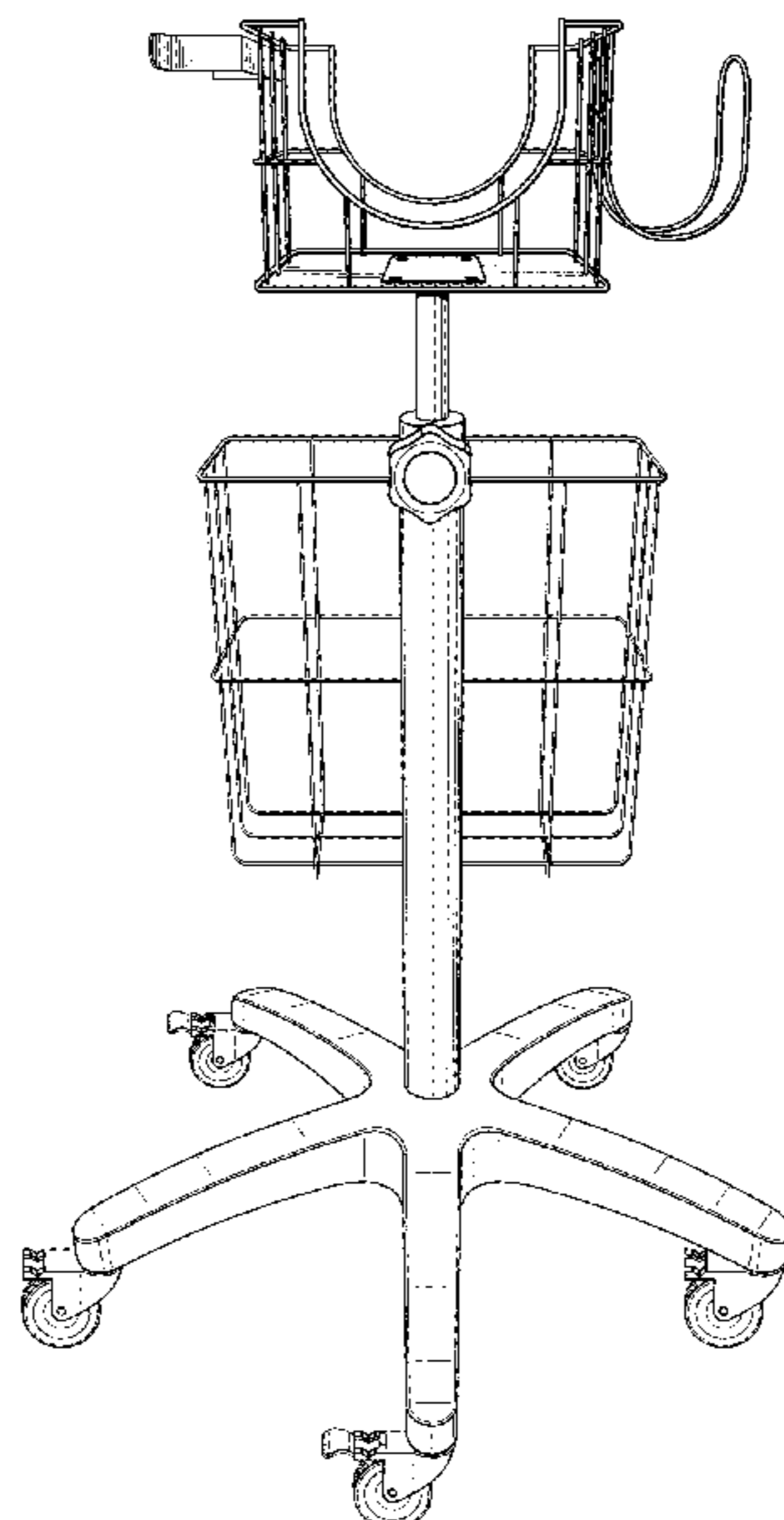
(57) **CLAIM**

The ornamental design for a cart, as shown and described.

DESCRIPTION

FIG. 1 is a front perspective view showing our new design of a cart;
FIG. 2 is a top plan view thereof;
FIG. 3 is a front elevational view thereof;
FIG. 4 is a rear elevational view thereof;
FIG. 5 is a left side elevational view thereof;
FIG. 6 is a right side elevational view thereof; and,
FIG. 7 is a bottom plan view thereof.
The broken lines illustrate portions of the cart that form no part of the claimed design.

1 Claim, 7 Drawing Sheets



(56)

References Cited

U.S. PATENT DOCUMENTS

5,806,943 A 9/1998 Dell
 5,984,406 A 11/1999 Lee
 D419,674 S 1/2000 Schattner
 6,009,595 A 1/2000 Leasure
 D421,531 S * 3/2000 Haas D6/675.5
 6,056,249 A 5/2000 Fillon, Jr.
 6,082,813 A 7/2000 Chen
 6,155,579 A 12/2000 Eyman
 6,209,951 B1 4/2001 Han
 6,231,119 B1 5/2001 Zheng
 6,247,748 B1 6/2001 Zheng
 6,247,749 B1 6/2001 Yu
 6,264,271 B1 7/2001 Munn
 6,354,455 B1 * 3/2002 Chen B65D 7/28
 220/489
 6,428,033 B1 8/2002 Harrison
 6,471,236 B2 10/2002 Eskridge
 6,523,840 B1 2/2003 Koppes
 D473,378 S * 4/2003 Bellersheim D3/306
 6,578,858 B1 6/2003 Haddock
 6,715,824 B2 4/2004 Zheng
 6,736,450 B2 5/2004 Miyagi
 D492,112 S * 6/2004 Hardy D6/306
 6,776,433 B2 8/2004 Harrison
 D500,575 S 1/2005 Lucas
 6,938,911 B1 9/2005 Shyu
 7,036,161 B2 5/2006 Harrison
 D523,203 S 6/2006 Pertuset
 7,188,847 B1 3/2007 Friedman
 7,229,084 B2 6/2007 McKellar
 7,229,131 B2 6/2007 Chen
 D553,325 S 10/2007 Miller, Jr.
 D554,419 S * 11/2007 Thompson D6/566
 D557,421 S 12/2007 Fleck
 D558,948 S 1/2008 Miller
 D568,467 S 5/2008 Cottone
 D570,201 S * 6/2008 Decker D8/380
 7,434,820 B1 10/2008 Aliseo
 7,445,216 B1 11/2008 Chou
 7,458,601 B2 12/2008 Miller
 7,472,921 B2 1/2009 Harrison
 7,490,837 B2 2/2009 Pond
 D588,814 S * 3/2009 Ghiorghie D6/513
 7,503,085 B2 3/2009 Harrison
 7,527,284 B2 5/2009 Nores
 D603,048 S 10/2009 Fleck
 D608,496 S 1/2010 Hodgson
 D611,610 S 3/2010 Fleck
 D611,731 S * 3/2010 Levine D6/675.5
 D626,238 S 10/2010 Zinnanti
 D628,387 S * 12/2010 Klein D3/318
 7,896,298 B2 3/2011 Meyers
 7,935,030 B1 5/2011 Nesbitt
 7,997,593 B2 8/2011 Sergyeyenko
 8,024,825 B2 9/2011 Harrison
 RE42,988 E * 12/2011 Skvorecz B65D 21/046
 248/153
 D650,175 S * 12/2011 Lee D3/306
 D650,209 S * 12/2011 Snider D6/513
 D668,829 S 10/2012 Ono
 D669,686 S * 10/2012 Waggoner D3/306
 8,292,310 B2 10/2012 Turner
 D670,913 S * 11/2012 Lee D3/304
 8,313,067 B2 11/2012 Knieriem

D674,637 S * 1/2013 London D6/553
 8,393,634 B2 3/2013 Radlow
 8,505,960 B1 8/2013 Shindelar
 D692,666 S * 11/2013 Goodman D3/304
 D693,577 S * 11/2013 Goodman D3/306
 D703,329 S 4/2014 Worcester
 8,740,298 B2 6/2014 Kenttamaa-Squires
 D711,736 S * 8/2014 Strom D9/416
 D720,450 S * 12/2014 Glenn D24/185
 D720,575 S * 1/2015 Goodman D7/600
 8,998,219 B1 4/2015 Sellers
 D733,891 S 7/2015 Murray
 D747,876 S * 1/2016 Goodman D3/306
 D765,448 S * 9/2016 Kidd D6/682.1
 9,498,402 B2 11/2016 Touhey
 9,561,151 B2 2/2017 Opsetmoen
 9,566,120 B2 2/2017 Malackowski
 D793,087 S * 8/2017 Goodman D3/306
 D796,679 S 9/2017 Dekock
 D804,039 S * 11/2017 Patmore D24/185
 D804,041 S 11/2017 Black
 D810,305 S 2/2018 Zhang
 D816,849 S 5/2018 Nesbitt
 D818,776 S * 5/2018 Morgan D7/600.1
 D820,617 S * 6/2018 Tsui B65H 35/10
 D6/518
 D824,521 S 7/2018 Adams
 10,060,571 B2 8/2018 Koehler
 D838,979 S * 1/2019 Goodman D3/304
 D844,276 S 3/2019 Schlenker
 D845,578 S 4/2019 Gammons
 D848,003 S * 5/2019 Worcester D24/185
 D851,252 S * 6/2019 Mrna D24/164
 D852,961 S 7/2019 Ellenz
 D854,772 S 7/2019 Ecklund
 D859,523 S * 9/2019 Goodman D19/90
 10,435,055 B1 10/2019 Zhu
 D867,709 S 11/2019 Coules
 10,479,386 B2 11/2019 Duru
 10,514,126 B2 12/2019 Asante
 10,532,756 B1 1/2020 Rekhviashvili
 D877,343 S * 3/2020 Canady D24/185
 D878,600 S 3/2020 Pelissier
 D879,401 S 3/2020 Ecklund
 D881,574 S * 4/2020 Dittrich D3/304
 D881,575 S * 4/2020 Wilson D3/306
 D888,966 S 6/2020 Robert
 D906,424 S * 12/2020 Chiang D19/90
 10,858,023 B2 12/2020 Kaidantsis
 D908,358 S * 1/2021 Zhai D3/306
 D914,216 S * 3/2021 Henderson D24/162
 D914,217 S * 3/2021 Kaidantsis D24/185
 D917,053 S * 4/2021 Glenn D24/185
 D936,364 S * 11/2021 Zheng D3/307
 2004/0222605 A1 11/2004 Sterns
 2009/0052974 A1 2/2009 Treacy
 2013/0106073 A1 5/2013 Gamard
 2014/0125023 A1 5/2014 Cook
 2016/0082998 A1 3/2016 Eisenhut
 2018/0078090 A1 3/2018 Boyd, Sr.
 2018/0250180 A1 9/2018 Phalen
 2019/0185182 A1 6/2019 Bei
 2019/0304602 A1 10/2019 Moctezuma De La Barrera
 2019/0337547 A1 11/2019 Garrison
 2020/0290661 A1 * 9/2020 Kaidantsis A47G 9/0223

* cited by examiner

FIG. 1

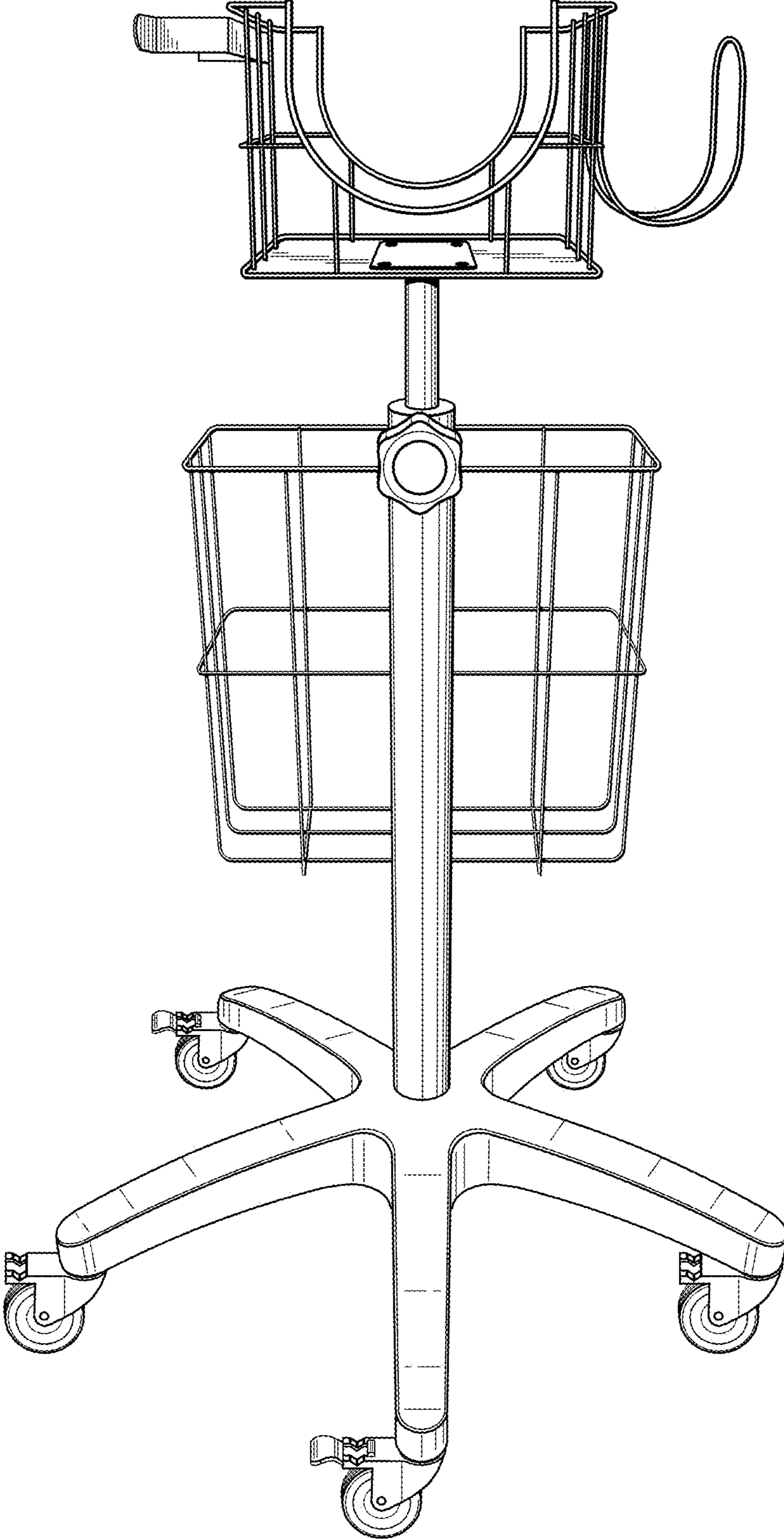


FIG. 2

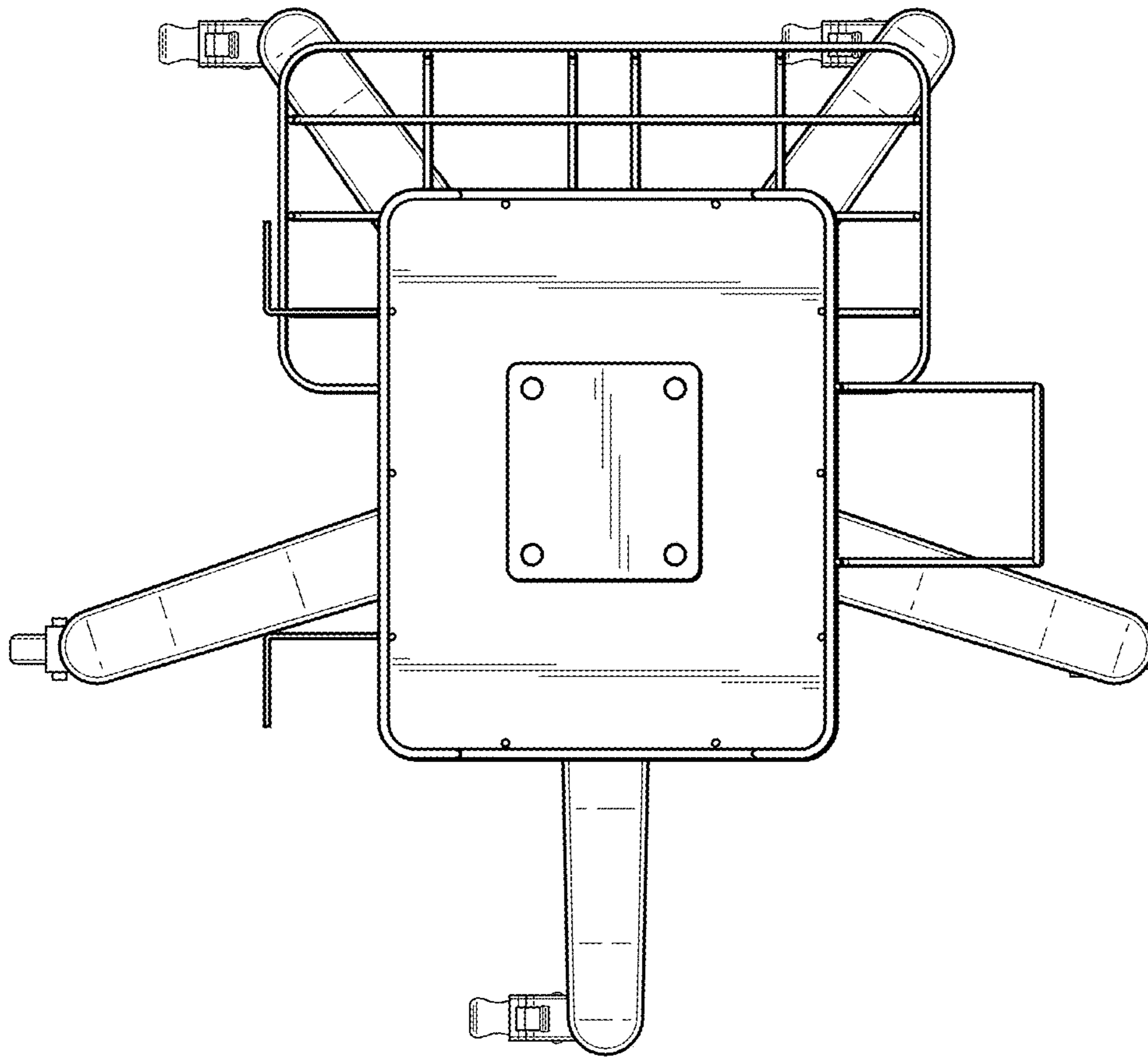


FIG. 3

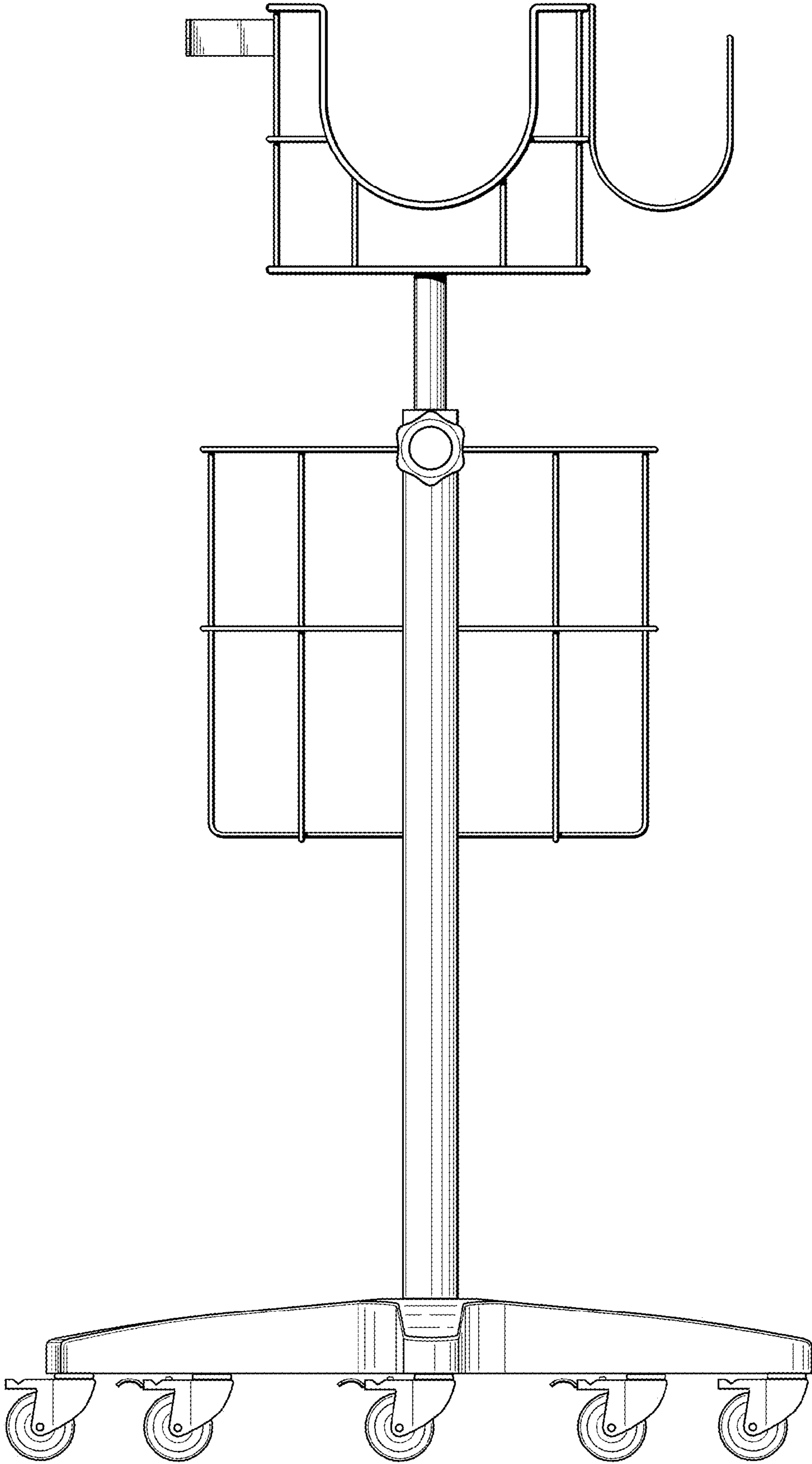


FIG. 4

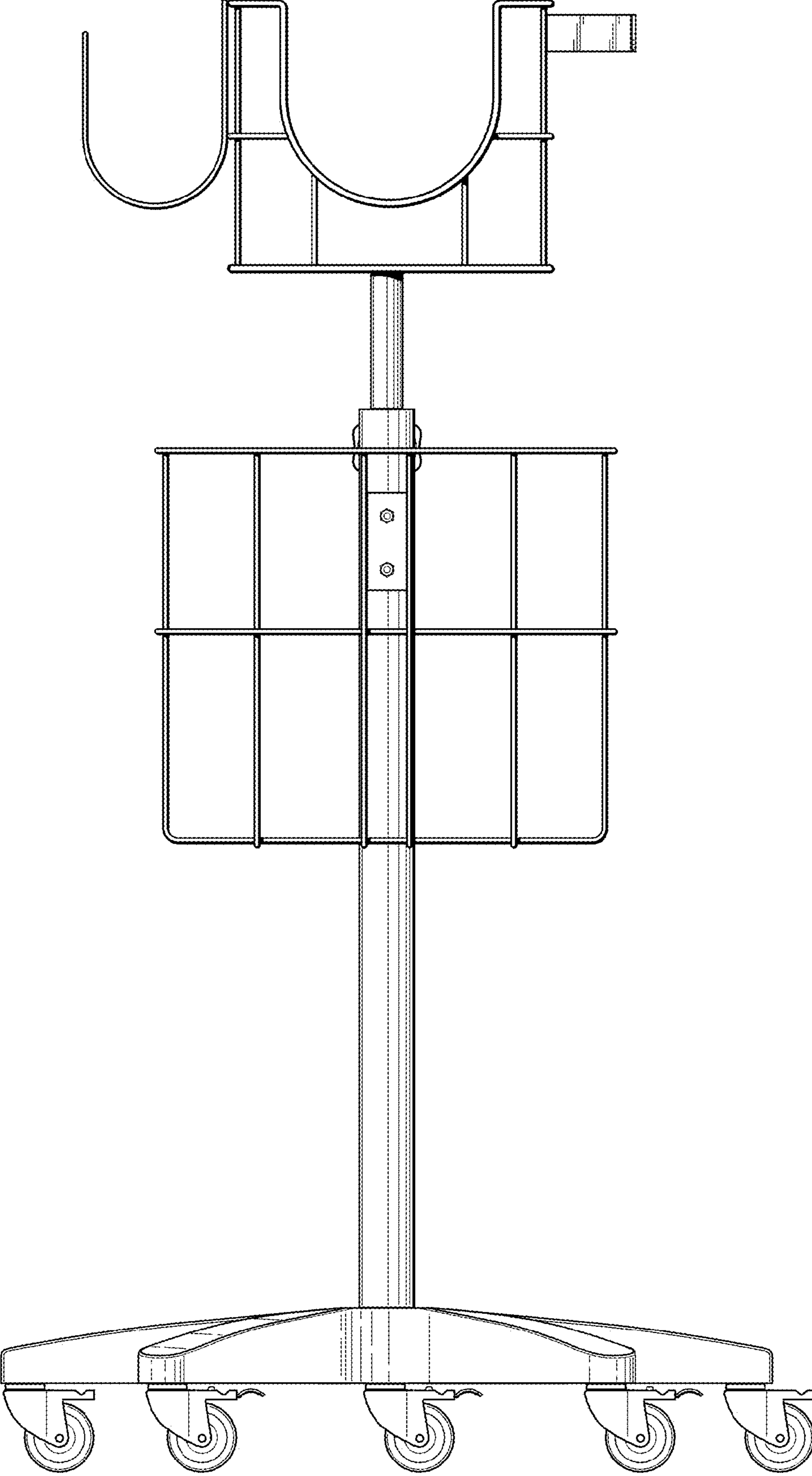


FIG. 5

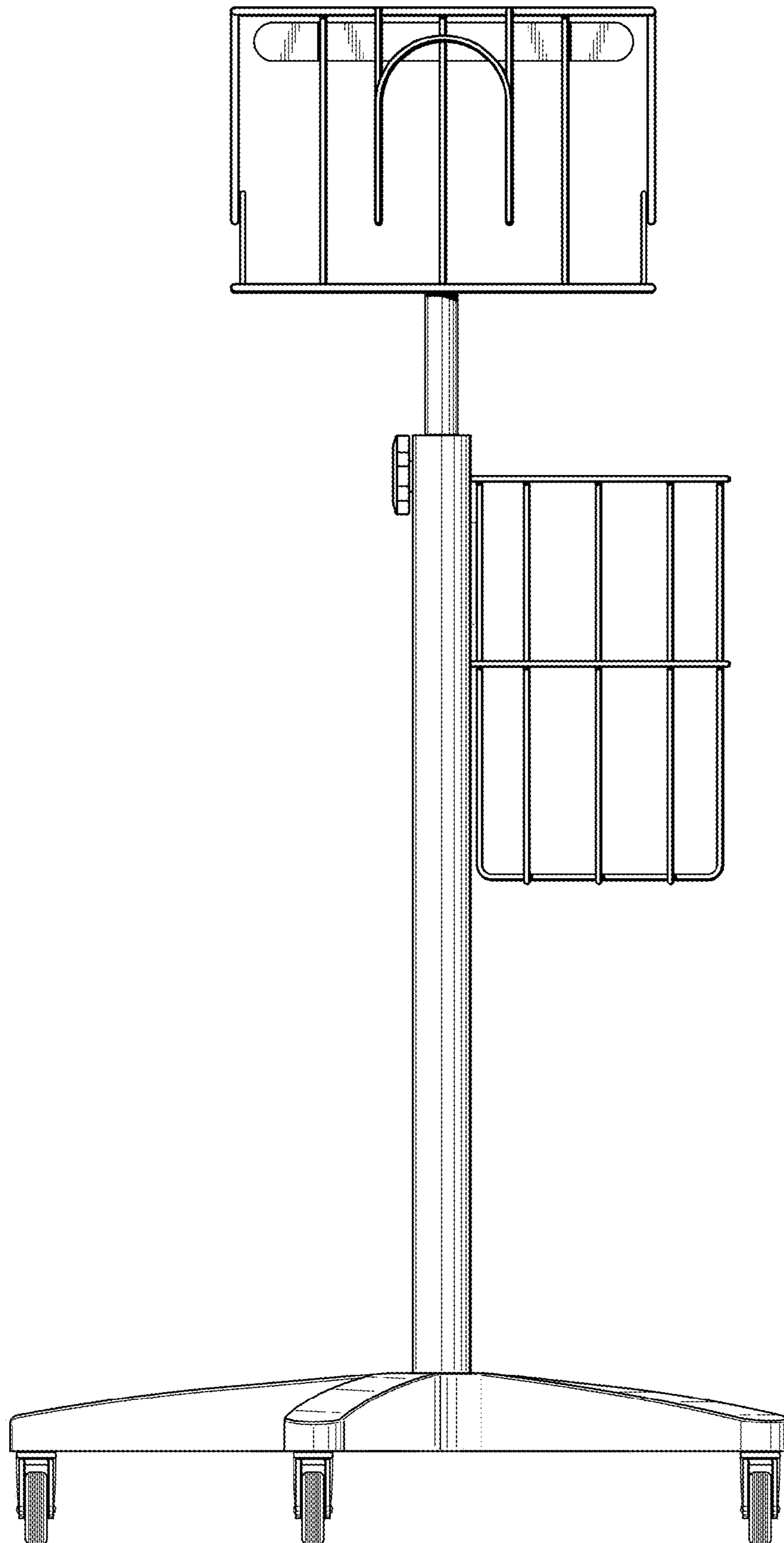


FIG. 6

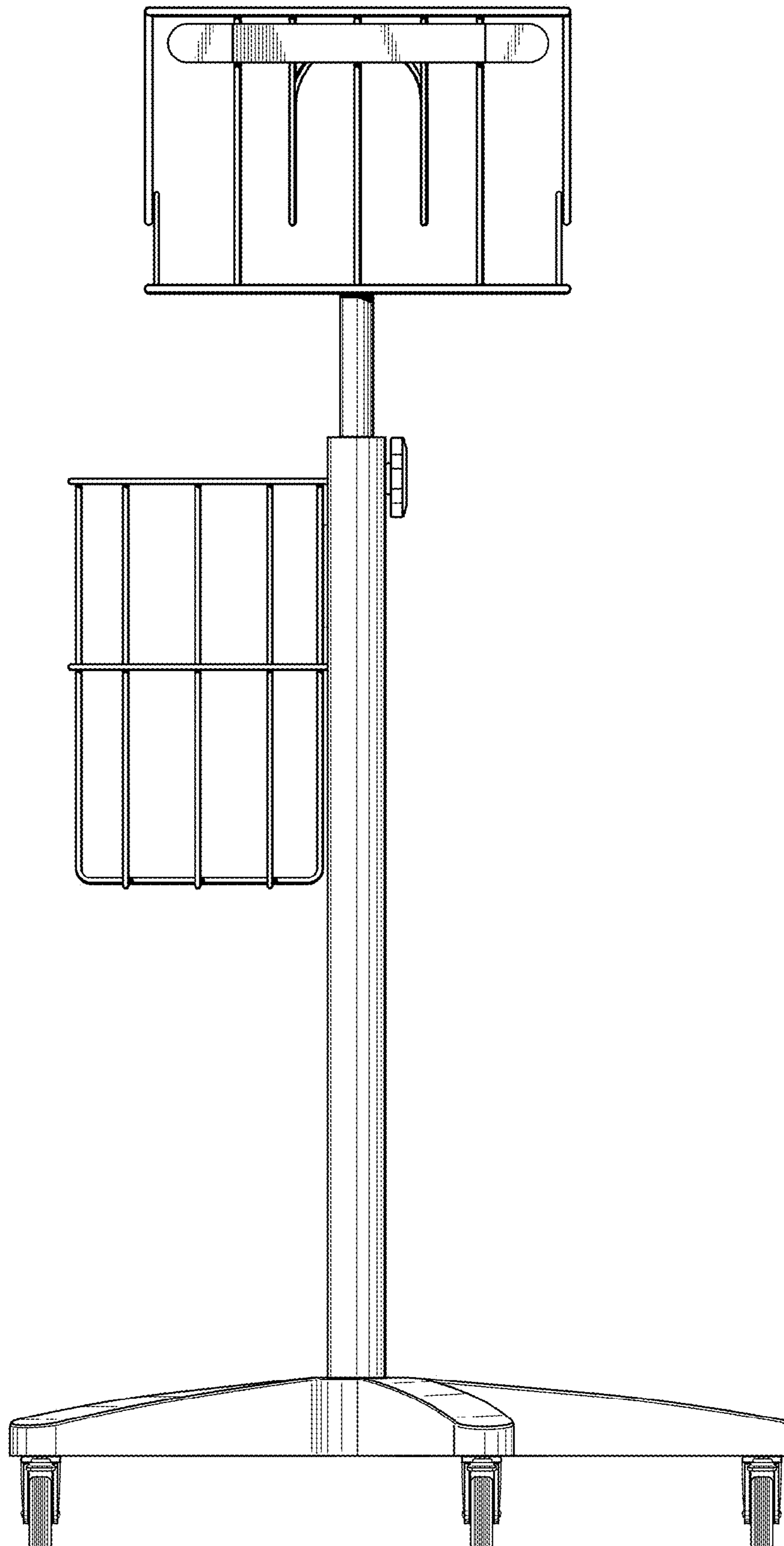


FIG. 7

