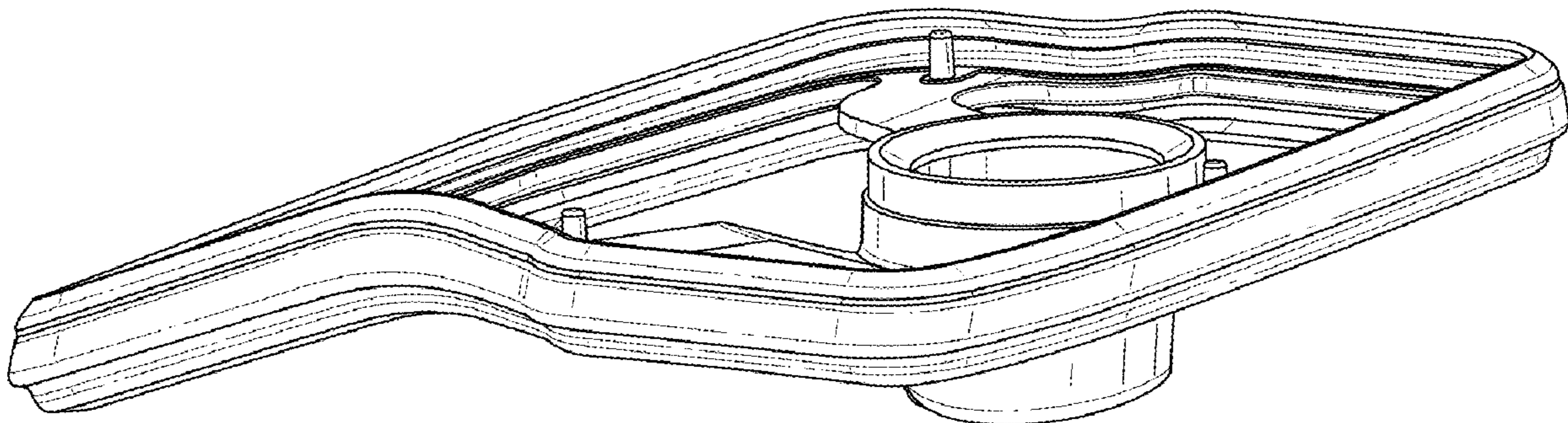




US00D977111S

(12) **United States Design Patent** (10) **Patent No.:** **US D977,111 S**
Verma et al. (45) **Date of Patent:** **** Jan. 31, 2023**

<p>(54) HUMIDIFIER RESERVOIR AND/OR COMPONENTS THEREOF FOR POSITIVE AIRWAY PRESSURE DELIVERY CONSOLE</p> <p>(71) Applicant: ResMed Pty Ltd, Bella Vista (AU)</p> <p>(72) Inventors: Hargopal Verma, Sydney (AU); Andrew Roderick Bath, Sydney (AU); Justin John Formica, Sydney (AU); Matthew Rolf Harrington, Gosford (AU); Saad Nasr, Sydney (AU); Joseph Samuel Ormrod, Sydney (AU)</p> <p>(73) Assignee: ResMed Pty Ltd, Bella Vista (AU)</p> <p>(**) Term: 15 Years</p> <p>(21) Appl. No.: 29/709,756</p> <p>(22) Filed: Oct. 17, 2019</p> <p style="text-align: center;">Related U.S. Application Data</p> <p>(62) Division of application No. 29/569,630, filed on Jun. 29, 2016, now Pat. No. Des. 868,263, which is a division of application No. 29/547,349, filed on Dec. 3, 2015, now Pat. No. Des. 791,329, which is a division of application No. 29/534,540, filed on Jul. 29, 2015, now Pat. No. Des. 752,228, which is a division of application No. 29/482,541, filed on Feb. 19, 2014, now Pat. No. Des. 744,108.</p> <p>(51) LOC (14) Cl. 24-02</p> <p>(52) U.S. Cl. USPC D24/185</p> <p>(58) Field of Classification Search USPC D24/164, 110, 185, 108, 186, 111; D34/23 CPC A61M 16/024; A61M 16/022; A61M 16/0066; A61M 16/06; A61M 16/16 See application file for complete search history.</p> <p>(56) References Cited U.S. PATENT DOCUMENTS</p> <table border="0" style="width: 100%;"> <tr> <td style="width: 30%;">D708 S</td> <td style="width: 30%;">5/1855 Vose</td> <td style="width: 30%;">D585,131 S</td> <td style="width: 30%;">1/2009 Trevor-Wilson et al.</td> </tr> <tr> <td>2,073,335 A</td> <td>3/1937 Karl</td> <td>D585,540 S</td> <td>1/2009 Lithgow et al.</td> </tr> <tr> <td>2,516,864 A</td> <td>8/1950 Gilmore</td> <td>D590,494 S</td> <td>4/2009 Lithgow et al.</td> </tr> <tr> <td>2,524,522 A</td> <td>10/1950 Gilmore</td> <td>D592,301 S</td> <td>5/2009 Cork et al.</td> </tr> <tr> <td>2,954,802 A</td> <td>10/1960 Duff</td> <td>D594,102 S</td> <td>6/2009 Israel et al.</td> </tr> </table>	D708 S	5/1855 Vose	D585,131 S	1/2009 Trevor-Wilson et al.	2,073,335 A	3/1937 Karl	D585,540 S	1/2009 Lithgow et al.	2,516,864 A	8/1950 Gilmore	D590,494 S	4/2009 Lithgow et al.	2,524,522 A	10/1950 Gilmore	D592,301 S	5/2009 Cork et al.	2,954,802 A	10/1960 Duff	D594,102 S	6/2009 Israel et al.	<table border="0"> <tr> <td>3,163,707 A</td> <td>12/1964 Darling</td> <td></td> <td></td> </tr> <tr> <td>D217,550 S</td> <td>5/1970 Campbell</td> <td></td> <td></td> </tr> <tr> <td>3,806,102 A *</td> <td>4/1974 Valenta</td> <td>.....</td> <td>A61M 16/16 261/DIG. 65</td> </tr> <tr> <td>3,908,952 A</td> <td>9/1975 Von Alven</td> <td></td> <td></td> </tr> <tr> <td>D280,765 S</td> <td>9/1985 Alvino</td> <td></td> <td></td> </tr> <tr> <td>4,817,598 A</td> <td>4/1989 LaBombard</td> <td></td> <td></td> </tr> <tr> <td>4,823,784 A</td> <td>4/1989 Bordoni</td> <td></td> <td></td> </tr> <tr> <td>D302,040 S</td> <td>7/1989 Lambert</td> <td></td> <td></td> </tr> <tr> <td>5,074,297 A</td> <td>12/1991 Venegas</td> <td></td> <td></td> </tr> <tr> <td>5,181,508 A</td> <td>1/1993 Poole, Jr.</td> <td></td> <td></td> </tr> <tr> <td>5,269,296 A</td> <td>12/1993 Landis</td> <td></td> <td></td> </tr> <tr> <td>5,368,016 A</td> <td>11/1994 Henry</td> <td></td> <td></td> </tr> <tr> <td>D360,027 S</td> <td>7/1995 Psaros</td> <td></td> <td></td> </tr> <tr> <td>D378,128 S</td> <td>2/1997 Rozek et al.</td> <td></td> <td></td> </tr> <tr> <td>D421,298 S</td> <td>2/2000 Kenyon et al.</td> <td></td> <td></td> </tr> <tr> <td>D434,142 S *</td> <td>11/2000 Cheney, II</td> <td>.....</td> <td>D24/111</td> </tr> <tr> <td>D436,401 S</td> <td>1/2001 Remes et al.</td> <td></td> <td></td> </tr> <tr> <td>D439,326 S</td> <td>3/2001 Hecker</td> <td></td> <td></td> </tr> <tr> <td>D464,724 S</td> <td>10/2002 Lynch et al.</td> <td></td> <td></td> </tr> <tr> <td>D467,335 S</td> <td>12/2002 Lithgow et al.</td> <td></td> <td></td> </tr> <tr> <td>D473,941 S</td> <td>4/2003 Cise</td> <td></td> <td></td> </tr> <tr> <td>D476,077 S</td> <td>6/2003 Lithgow et al.</td> <td></td> <td></td> </tr> <tr> <td>6,578,571 B1</td> <td>6/2003 Watt</td> <td></td> <td></td> </tr> <tr> <td>D476,731 S</td> <td>7/2003 Cise</td> <td></td> <td></td> </tr> <tr> <td>6,644,305 B2</td> <td>11/2003 MacRae</td> <td></td> <td></td> </tr> <tr> <td>D486,909 S</td> <td>2/2004 Cise</td> <td></td> <td></td> </tr> <tr> <td>6,722,904 B2</td> <td>4/2004 Linhart</td> <td></td> <td></td> </tr> <tr> <td>D493,520 S</td> <td>7/2004 Bertinetti et al.</td> <td></td> <td></td> </tr> <tr> <td>D493,884 S</td> <td>8/2004 Virr et al.</td> <td></td> <td></td> </tr> <tr> <td>D497,203 S</td> <td>10/2004 Lithgow et al.</td> <td></td> <td></td> </tr> <tr> <td>D500,847 S</td> <td>1/2005 Manke et al.</td> <td></td> <td></td> </tr> <tr> <td>D504,945 S</td> <td>5/2005 Van Brunt et al.</td> <td></td> <td></td> </tr> <tr> <td>D544,598 S</td> <td>6/2007 Lithgow et al.</td> <td></td> <td></td> </tr> <tr> <td>7,226,302 B2</td> <td>6/2007 Walter</td> <td></td> <td></td> </tr> <tr> <td>7,237,770 B2</td> <td>7/2007 Lipscombe et al.</td> <td></td> <td></td> </tr> <tr> <td>D550,349 S</td> <td>9/2007 Lithgow et al.</td> <td></td> <td></td> </tr> <tr> <td>D560,795 S</td> <td>1/2008 Lithgow et al.</td> <td></td> <td></td> </tr> <tr> <td>D561,881 S</td> <td>2/2008 Huang</td> <td></td> <td></td> </tr> <tr> <td>D561,890 S</td> <td>2/2008 Lithgow et al.</td> <td></td> <td></td> </tr> <tr> <td>D561,891 S</td> <td>2/2008 Lithgow et al.</td> <td></td> <td></td> </tr> <tr> <td>D570,473 S</td> <td>6/2008 Hamaguchi et al.</td> <td></td> <td></td> </tr> <tr> <td>D572,355 S</td> <td>7/2008 Gao</td> <td></td> <td></td> </tr> <tr> <td>D578,204 S</td> <td>10/2008 Lithgow et al.</td> <td></td> <td></td> </tr> <tr> <td>D580,060 S</td> <td>11/2008 Adams</td> <td></td> <td></td> </tr> <tr> <td>D580,062 S</td> <td>11/2008 Adams</td> <td></td> <td></td> </tr> <tr> <td>D582,554 S</td> <td>12/2008 Adams</td> <td></td> <td></td> </tr> <tr> <td>D583,059 S</td> <td>12/2008 Adams</td> <td></td> <td></td> </tr> </table>	3,163,707 A	12/1964 Darling			D217,550 S	5/1970 Campbell			3,806,102 A *	4/1974 Valenta	A61M 16/16 261/DIG. 65	3,908,952 A	9/1975 Von Alven			D280,765 S	9/1985 Alvino			4,817,598 A	4/1989 LaBombard			4,823,784 A	4/1989 Bordoni			D302,040 S	7/1989 Lambert			5,074,297 A	12/1991 Venegas			5,181,508 A	1/1993 Poole, Jr.			5,269,296 A	12/1993 Landis			5,368,016 A	11/1994 Henry			D360,027 S	7/1995 Psaros			D378,128 S	2/1997 Rozek et al.			D421,298 S	2/2000 Kenyon et al.			D434,142 S *	11/2000 Cheney, II	D24/111	D436,401 S	1/2001 Remes et al.			D439,326 S	3/2001 Hecker			D464,724 S	10/2002 Lynch et al.			D467,335 S	12/2002 Lithgow et al.			D473,941 S	4/2003 Cise			D476,077 S	6/2003 Lithgow et al.			6,578,571 B1	6/2003 Watt			D476,731 S	7/2003 Cise			6,644,305 B2	11/2003 MacRae			D486,909 S	2/2004 Cise			6,722,904 B2	4/2004 Linhart			D493,520 S	7/2004 Bertinetti et al.			D493,884 S	8/2004 Virr et al.			D497,203 S	10/2004 Lithgow et al.			D500,847 S	1/2005 Manke et al.			D504,945 S	5/2005 Van Brunt et al.			D544,598 S	6/2007 Lithgow et al.			7,226,302 B2	6/2007 Walter			7,237,770 B2	7/2007 Lipscombe et al.			D550,349 S	9/2007 Lithgow et al.			D560,795 S	1/2008 Lithgow et al.			D561,881 S	2/2008 Huang			D561,890 S	2/2008 Lithgow et al.			D561,891 S	2/2008 Lithgow et al.			D570,473 S	6/2008 Hamaguchi et al.			D572,355 S	7/2008 Gao			D578,204 S	10/2008 Lithgow et al.			D580,060 S	11/2008 Adams			D580,062 S	11/2008 Adams			D582,554 S	12/2008 Adams			D583,059 S	12/2008 Adams		
D708 S	5/1855 Vose	D585,131 S	1/2009 Trevor-Wilson et al.																																																																																																																																																																																																														
2,073,335 A	3/1937 Karl	D585,540 S	1/2009 Lithgow et al.																																																																																																																																																																																																														
2,516,864 A	8/1950 Gilmore	D590,494 S	4/2009 Lithgow et al.																																																																																																																																																																																																														
2,524,522 A	10/1950 Gilmore	D592,301 S	5/2009 Cork et al.																																																																																																																																																																																																														
2,954,802 A	10/1960 Duff	D594,102 S	6/2009 Israel et al.																																																																																																																																																																																																														
3,163,707 A	12/1964 Darling																																																																																																																																																																																																																
D217,550 S	5/1970 Campbell																																																																																																																																																																																																																
3,806,102 A *	4/1974 Valenta	A61M 16/16 261/DIG. 65																																																																																																																																																																																																														
3,908,952 A	9/1975 Von Alven																																																																																																																																																																																																																
D280,765 S	9/1985 Alvino																																																																																																																																																																																																																
4,817,598 A	4/1989 LaBombard																																																																																																																																																																																																																
4,823,784 A	4/1989 Bordoni																																																																																																																																																																																																																
D302,040 S	7/1989 Lambert																																																																																																																																																																																																																
5,074,297 A	12/1991 Venegas																																																																																																																																																																																																																
5,181,508 A	1/1993 Poole, Jr.																																																																																																																																																																																																																
5,269,296 A	12/1993 Landis																																																																																																																																																																																																																
5,368,016 A	11/1994 Henry																																																																																																																																																																																																																
D360,027 S	7/1995 Psaros																																																																																																																																																																																																																
D378,128 S	2/1997 Rozek et al.																																																																																																																																																																																																																
D421,298 S	2/2000 Kenyon et al.																																																																																																																																																																																																																
D434,142 S *	11/2000 Cheney, II	D24/111																																																																																																																																																																																																														
D436,401 S	1/2001 Remes et al.																																																																																																																																																																																																																
D439,326 S	3/2001 Hecker																																																																																																																																																																																																																
D464,724 S	10/2002 Lynch et al.																																																																																																																																																																																																																
D467,335 S	12/2002 Lithgow et al.																																																																																																																																																																																																																
D473,941 S	4/2003 Cise																																																																																																																																																																																																																
D476,077 S	6/2003 Lithgow et al.																																																																																																																																																																																																																
6,578,571 B1	6/2003 Watt																																																																																																																																																																																																																
D476,731 S	7/2003 Cise																																																																																																																																																																																																																
6,644,305 B2	11/2003 MacRae																																																																																																																																																																																																																
D486,909 S	2/2004 Cise																																																																																																																																																																																																																
6,722,904 B2	4/2004 Linhart																																																																																																																																																																																																																
D493,520 S	7/2004 Bertinetti et al.																																																																																																																																																																																																																
D493,884 S	8/2004 Virr et al.																																																																																																																																																																																																																
D497,203 S	10/2004 Lithgow et al.																																																																																																																																																																																																																
D500,847 S	1/2005 Manke et al.																																																																																																																																																																																																																
D504,945 S	5/2005 Van Brunt et al.																																																																																																																																																																																																																
D544,598 S	6/2007 Lithgow et al.																																																																																																																																																																																																																
7,226,302 B2	6/2007 Walter																																																																																																																																																																																																																
7,237,770 B2	7/2007 Lipscombe et al.																																																																																																																																																																																																																
D550,349 S	9/2007 Lithgow et al.																																																																																																																																																																																																																
D560,795 S	1/2008 Lithgow et al.																																																																																																																																																																																																																
D561,881 S	2/2008 Huang																																																																																																																																																																																																																
D561,890 S	2/2008 Lithgow et al.																																																																																																																																																																																																																
D561,891 S	2/2008 Lithgow et al.																																																																																																																																																																																																																
D570,473 S	6/2008 Hamaguchi et al.																																																																																																																																																																																																																
D572,355 S	7/2008 Gao																																																																																																																																																																																																																
D578,204 S	10/2008 Lithgow et al.																																																																																																																																																																																																																
D580,060 S	11/2008 Adams																																																																																																																																																																																																																
D580,062 S	11/2008 Adams																																																																																																																																																																																																																
D582,554 S	12/2008 Adams																																																																																																																																																																																																																
D583,059 S	12/2008 Adams																																																																																																																																																																																																																



US D977,111 S

D597,186 S	7/2009	Campbell et al.	D738,489 S	9/2015	Formica et al.
D602,585 S	10/2009	Blackwell et al.	D738,894 S	9/2015	Kim
D604,830 S	11/2009	Lithgow et al.	D739,864 S	9/2015	Kang
D606,655 S	12/2009	Wilkinson et al.	D741,477 S	10/2015	Rogers
D607,107 S	12/2009	McCombs et al.	D741,894 S	10/2015	Drozd
D609,318 S	2/2010	Lam	D741,912 S	10/2015	Gomez
D610,250 S	2/2010	Neuner	D742,508 S	11/2015	Row
D611,593 S	3/2010	Lithgow et al.	D743,556 S	11/2015	Bath et al.
D612,480 S	3/2010	Cork et al.	D743,842 S	11/2015	La Guzza
D614,286 S	4/2010	Lithgow et al.	D743,976 S	11/2015	Wilberding
D620,102 S	7/2010	Klien et al.	D744,108 S	* 11/2015	Verma D24/164
D621,031 S	8/2010	Lithgow et al.	D744,501 S	12/2015	Wilberding
D626,239 S	* 10/2010	Lia D24/185	D744,520 S	12/2015	McLaughlin
D626,642 S	11/2010	Virr	D745,016 S	12/2015	Lee
D627,044 S	11/2010	Virr et al.	D745,528 S	12/2015	Lee
D628,288 S	11/2010	Row et al.	D745,542 S	12/2015	Kim
D629,891 S	12/2010	Virr et al.	D745,880 S	12/2015	Lima
D629,892 S	12/2010	Hill et al.	D745,883 S	12/2015	Anderson
D632,798 S	* 2/2011	Tran D24/204	D746,294 S	12/2015	Jung
D635,232 S	3/2011	Virr	D746,311 S	12/2015	Ta
D635,244 S	3/2011	Virr et al.	D746,320 S	12/2015	Shardlow
D635,245 S	3/2011	Virr et al.	D746,831 S	1/2016	Chaudhri
D635,654 S	4/2011	Virr et al.	D746,850 S	1/2016	Steplyk
D638,432 S	5/2011	Flik	D746,855 S	1/2016	Choi
D638,536 S	5/2011	Row et al.	D746,858 S	1/2016	Vogt
D638,537 S	5/2011	Virr et al.	D746,864 S	1/2016	Dellinger
D638,933 S	5/2011	Hill et al.	D752,228 S	* 3/2016	Verma D24/164
D643,114 S	8/2011	Virr et al.	D757,927 S	5/2016	Lubke
D644,320 S	* 8/2011	Virr D24/110	D759,234 S	6/2016	Bertinetti
D644,731 S	9/2011	Fangrow, Jr.	D760,258 S	6/2016	Bertinetti
D650,479 S	12/2011	Row et al.	9,402,970 B2	8/2016	Virr
D652,916 S	1/2012	Row et al.	D771,799 S	11/2016	Formica
D652,917 S	1/2012	Hill et al.	D775,346 S	12/2016	Bath
D652,931 S	* 1/2012	Petteway D24/164	D776,256 S	1/2017	Formica
8,100,127 B2	1/2012	Worley	D791,329 S	* 7/2017	Verma D24/164
D655,813 S	3/2012	Row et al.	D798,428 S	9/2017	Cork
D658,283 S	4/2012	Burz et al.	D806,859 S	1/2018	Formica
D659,235 S	5/2012	Bertinetti et al.	D809,124 S	1/2018	Bertinetti
D663,412 S	7/2012	Virr	D819,193 S	5/2018	Bertinetti
D665,412 S	8/2012	Rai	D827,829 S	* 9/2018	Meng D24/164
D671,209 S	11/2012	Row et al.	D901,019 S	* 11/2020	Nally D24/186
D675,730 S	2/2013	Lithgow et al.	D917,823 S	* 4/2021	Cutler D34/23
8,375,945 B2	2/2013	Kepler et al.	D948,026 S	* 4/2022	Gibertoni D24/108
D677,789 S	3/2013	Row et al.	2006/0106345 A1	5/2006	Flaker et al.
D679,374 S	4/2013	Virr	2007/0169776 A1	7/2007	Kepler et al.
D680,125 S	4/2013	Chaudhri	2007/0277828 A1	12/2007	Ho
D680,636 S	4/2013	Ching	2009/0025724 A1	1/2009	Herron, Jr.
D682,406 S	5/2013	Yeom	2009/0123886 A1	5/2009	Vaska
D685,896 S	7/2013	Niedermann et al.	2009/0223514 A1	9/2009	Smith et al.
8,486,043 B2	7/2013	Iyer	2010/0116272 A1	5/2010	Row et al.
D688,788 S	8/2013	Spruell	2010/0307502 A1	12/2010	Rummery
D693,005 S	11/2013	Nawata et al.	2011/0017212 A1	1/2011	Kenyon et al.
D695,388 S	12/2013	Lithgow	2011/0023874 A1	2/2011	Bath
D696,393 S	12/2013	Lu	2011/0100363 A1	5/2011	Barclay et al.
8,631,789 B2	1/2014	Virr et al.	2011/0155132 A1	6/2011	Virr et al.
D699,356 S	2/2014	Patil	2011/0180068 A1	7/2011	Kenyon et al.
D702,353 S	4/2014	Fujimoto et al.	2012/0227738 A1	9/2012	Virr
D703,311 S	4/2014	Daly	2012/0234326 A1*	9/2012	Mazzone A61M 16/06 128/206.26
D704,326 S	5/2014	Formica			
D707,334 S	6/2014	Hernandez	2012/0285454 A1	11/2012	Nibu et al.
D707,338 S	6/2014	Ediger et al.	2012/0304994 A1	12/2012	Kwok
D709,180 S	7/2014	Rummery	2013/0008440 A1	1/2013	Maurer et al.
D710,989 S	8/2014	Bertinetti et al.	2013/0011823 A1	1/2013	Hassanein et al.
D716,419 S	10/2014	Hernandez	2013/0206140 A1	8/2013	Kepler et al.
D716,452 S	10/2014	Hutchison	2013/0239961 A1	9/2013	Ross et al.
D719,248 S	12/2014	Smith, Jr. et al.	2013/0263854 A1	10/2013	Taylor et al.
8,905,031 B2	12/2014	Barlow	2013/0280055 A1	10/2013	Daly et al.
D720,854 S	* 1/2015	Kim D24/185	2014/0130802 A1	5/2014	Virr et al.
D725,134 S	3/2015	Boettcher	2014/0131904 A1*	5/2014	Tang A61M 16/022 261/157
D729,936 S	5/2015	Reback			
D730,528 S	* 5/2015	Yang D24/185	2014/0202460 A1	7/2014	Bath et al.
D731,538 S	6/2015	Lee	2014/0208241 A1	7/2014	Charles
D733,733 S	7/2015	Bae	2014/0216459 A1	8/2014	Vos et al.
D734,356 S	7/2015	Xiong	2014/0246025 A1	9/2014	Cragg et al.
D735,865 S	8/2015	Nishimura	2015/0273167 A1	10/2015	Feldhahn
D736,248 S	8/2015	Chen	2015/0277733 A1	10/2015	Schwaibold
D736,371 S	8/2015	Row	2015/0283350 A1	10/2015	Miller
D736,818 S	8/2015	Trabona	2015/0306326 A1	10/2015	Graham
D738,488 S	9/2015	Formica et al.	2015/0306332 A1	10/2015	Bafle

2015/0335851 A1 11/2015 Cullen et al.
 2015/0359989 A1 12/2015 Potharaju et al.
 2016/0022954 A1* 1/2016 Bath A61M 16/024
 128/203.12
 2021/0046273 A1* 2/2021 Formica A61M 16/0066

FOREIGN PATENT DOCUMENTS

EM 001312953-0001 3/2012
 EM 001312953-0002 3/2012
 EM 001312953-0003 3/2012
 EM 001312953-0004 3/2012
 EM 001312953-0005 3/2012
 EP 2 703 034 A2 8/2013
 WO WO 2011/056080 A1 5/2011
 WO WO 2012/160477 A1 11/2012

OTHER PUBLICATIONS

U.S. Appl. No. 29/456,458, filed May 2013, Formica et al.
 U.S. Appl. No. 29/456,477, filed May 2013, Formica et al.
 U.S. Appl. No. 29/480,971, filed Jan. 2014, Desvoyes et al.
 U.S. Appl. No. 29/482,519, filed Feb. 2014, Bath et al.
 U.S. Appl. No. 29/502,152, filed Sep. 2014, Bertinetti et al.
 U.S. Appl. No. 29/485,313, filed Mar. 2014, Formica et al.
 U.S. Appl. No. 29/492,344, filed May 2014, Bertinetti et al.
 U.S. Appl. No. 29/534,540, filed Jul. 2015, Verma et al.
 U.S. Appl. No. 61/838,971, filed Jun. 2013, Huby et al.
 U.S. Appl. No. 61/987,245, filed May 2014, Foote et al.
 Office Action dated Nov. 7, 2014 in Design U.S. Appl. No. 29/482,519 (5 pages).
 ResMed S9™ Series, No Other Sleep Therapy System Delivers, 2010 (12 pages).
 Philips Respironics, System One Sleep Therapy System, May 2012 (2 pages).
 Fisher & Paykel Healthcare, Icon Brochure, 2010 (2 pages).
 Fisher & Paykel Healthcare, Icon User Manual, Jan. 2010 (214 pages).
 U.S. Appl. No. 29/482,541, filed Feb. 2014, Verma et al.
 Office Action dated Dec. 4, 2014 in U.S. Appl. No. 29/456,477 (9 pages).

Office Action dated Dec. 3, 2014 in U.S. Appl. No. 29/456,458 (7 pages).
 Office Action dated Jan. 20, 2016 in U.S. Appl. No. 29/515,282 (7 pages).
 U.S. Office Action dated Jul. 5, 2016 issued in U.S. Appl. No. 29/502,152 (15 pages).
 Verma et al., U.S. Appl. No. 29/569,630, filed Jun. 29, 2016, for “Humidifier Reservoir and/or Components Thereof for Positive Airway Pressure Delivery Console,” (parent application).
 U.S. Appl. No. 29/547,349, filed Dec. 2015, Verma et al.

* cited by examiner

Primary Examiner — Rhea Shields
 (74) Attorney, Agent, or Firm — Nixon & Vanderhye P.C.

(57) CLAIM

The ornamental design for a seal/baffle module for humidifier reservoir for positive airway pressure delivery console, as shown and described.

DESCRIPTION

FIG. 1 is a perspective view, from the front, right corner, of a seal/baffle module for humidifier reservoir for positive airway pressure delivery console, according to our new ornamental design;
 FIG. 2 is right side view thereof;
 FIG. 3 is a left side view thereof;
 FIG. 4 is a top view thereof;
 FIG. 5 is a bottom view thereof;
 FIG. 6 is a front view thereof;
 FIG. 7 is a rear view thereof; and,
 FIG. 8 is another perspective view thereof.

1 Claim, 4 Drawing Sheets

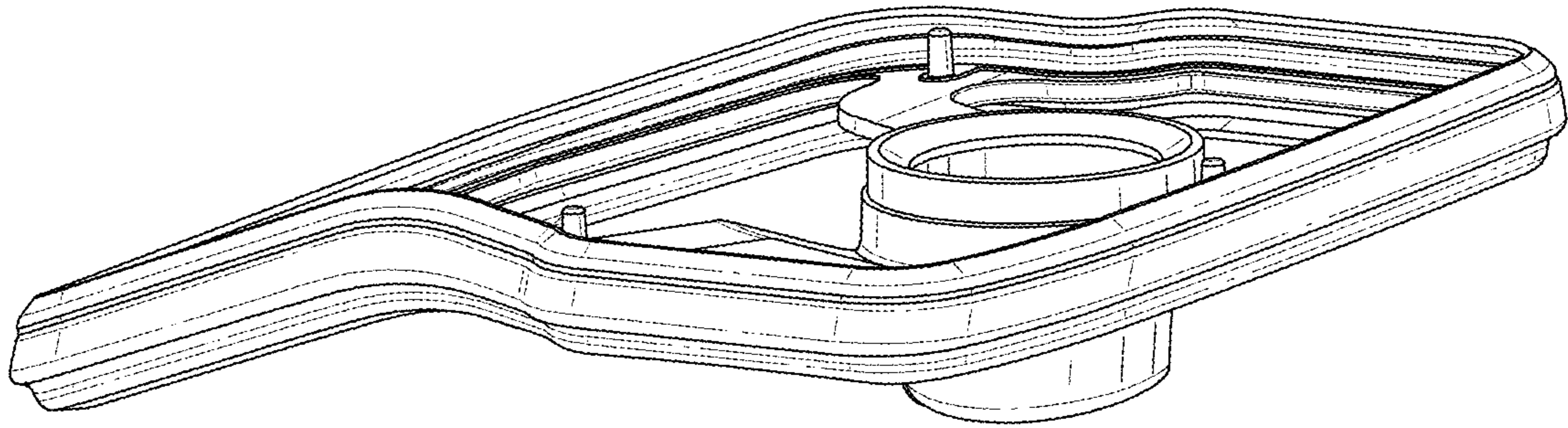


FIG. 1

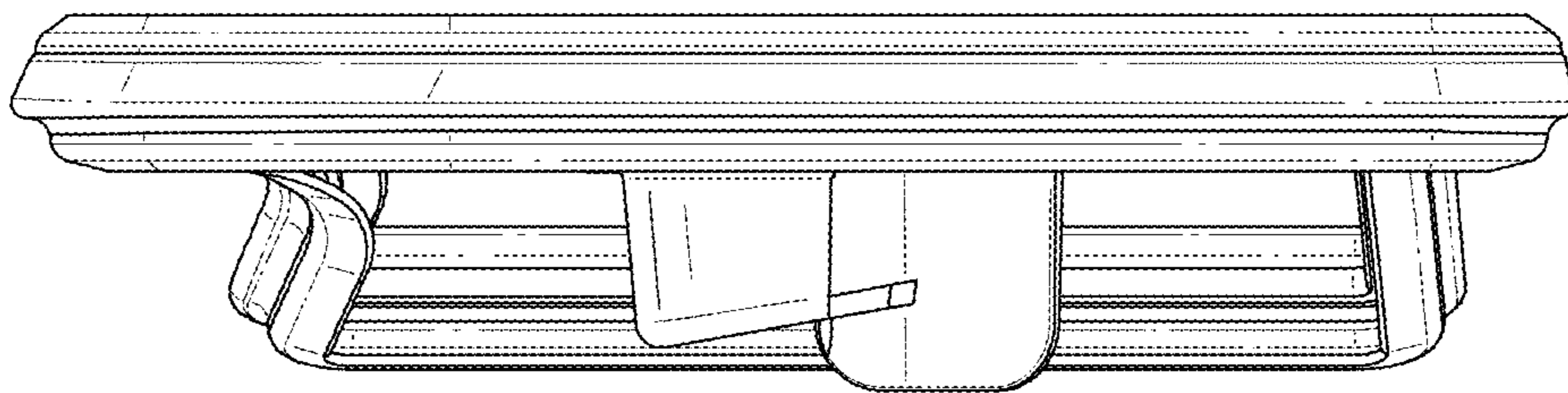


FIG. 2

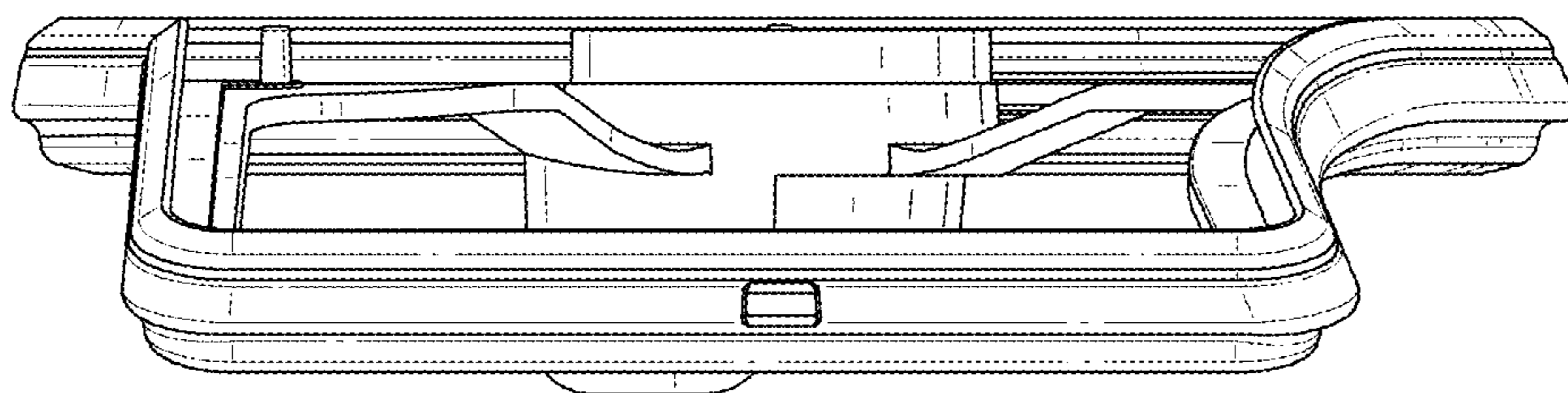


FIG. 3

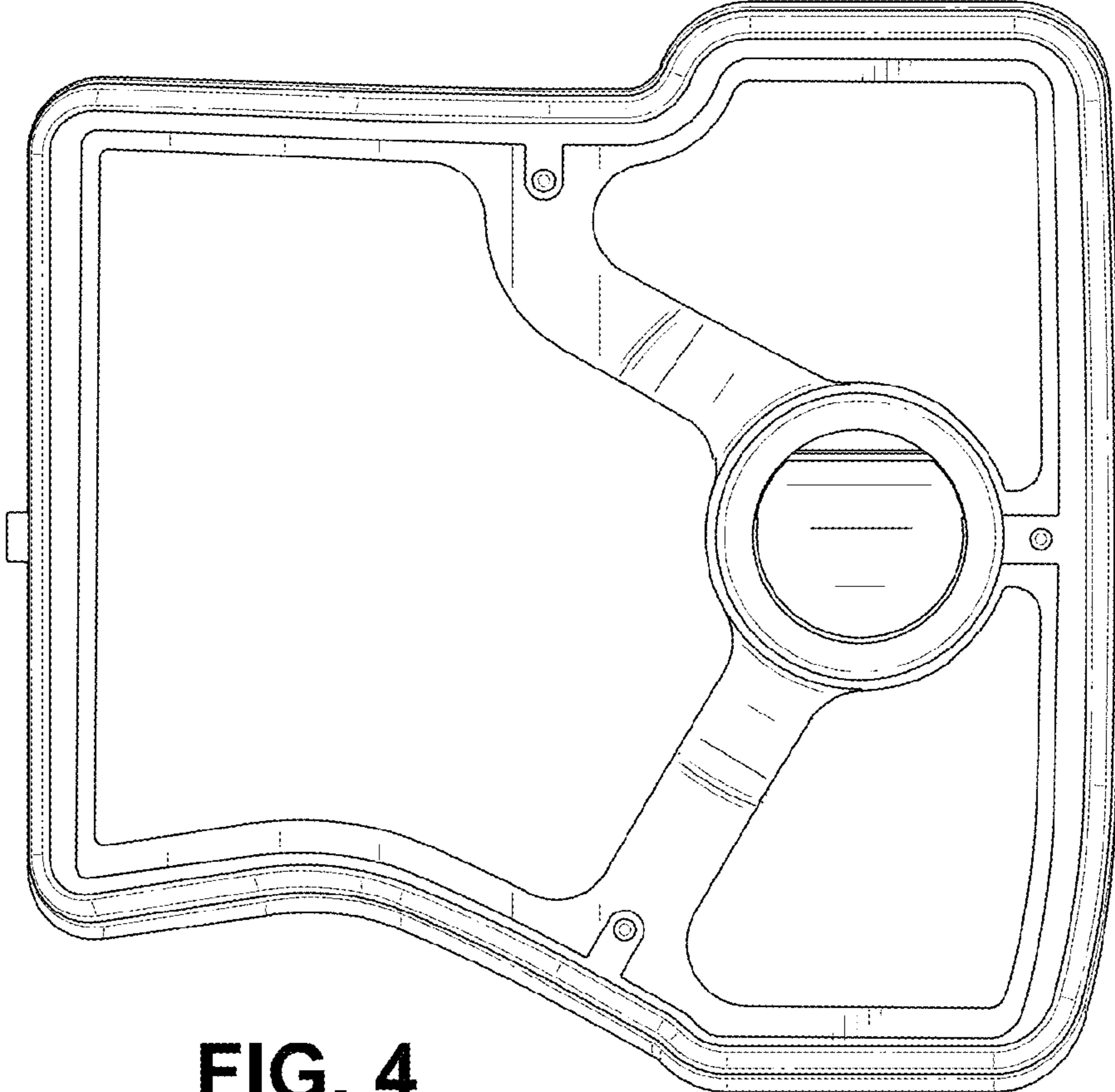


FIG. 4

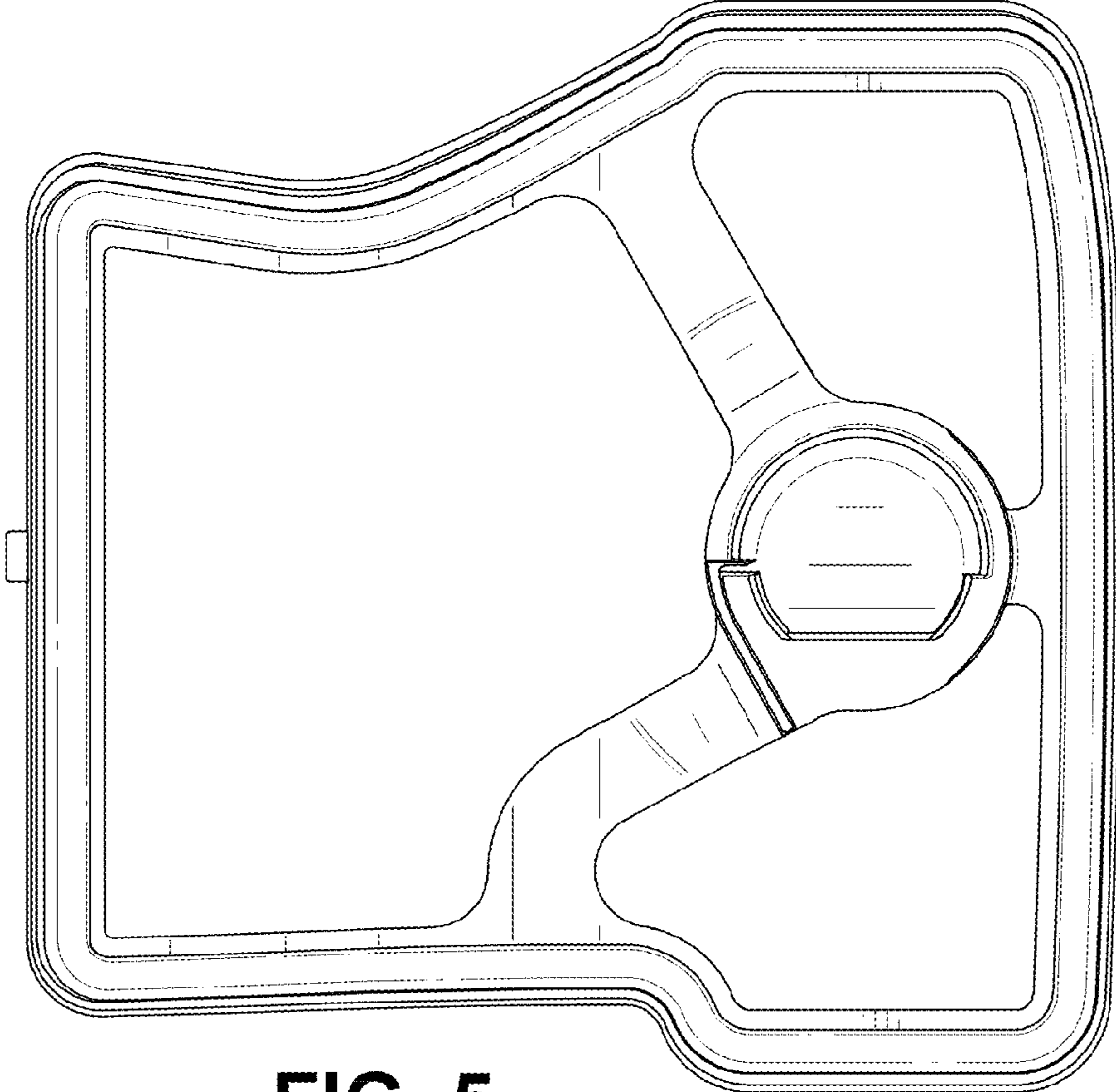


FIG. 5



FIG. 6

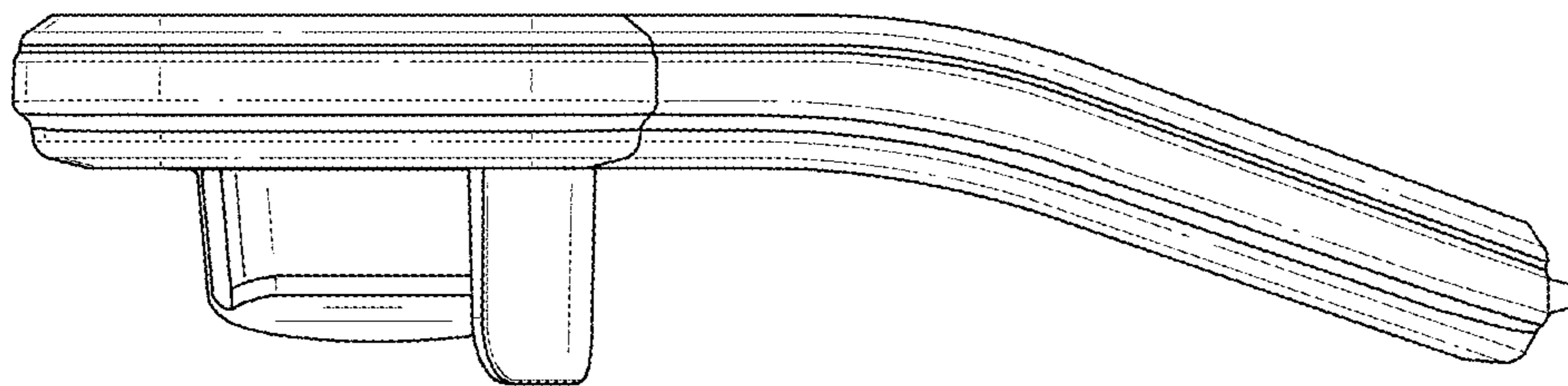


FIG. 7

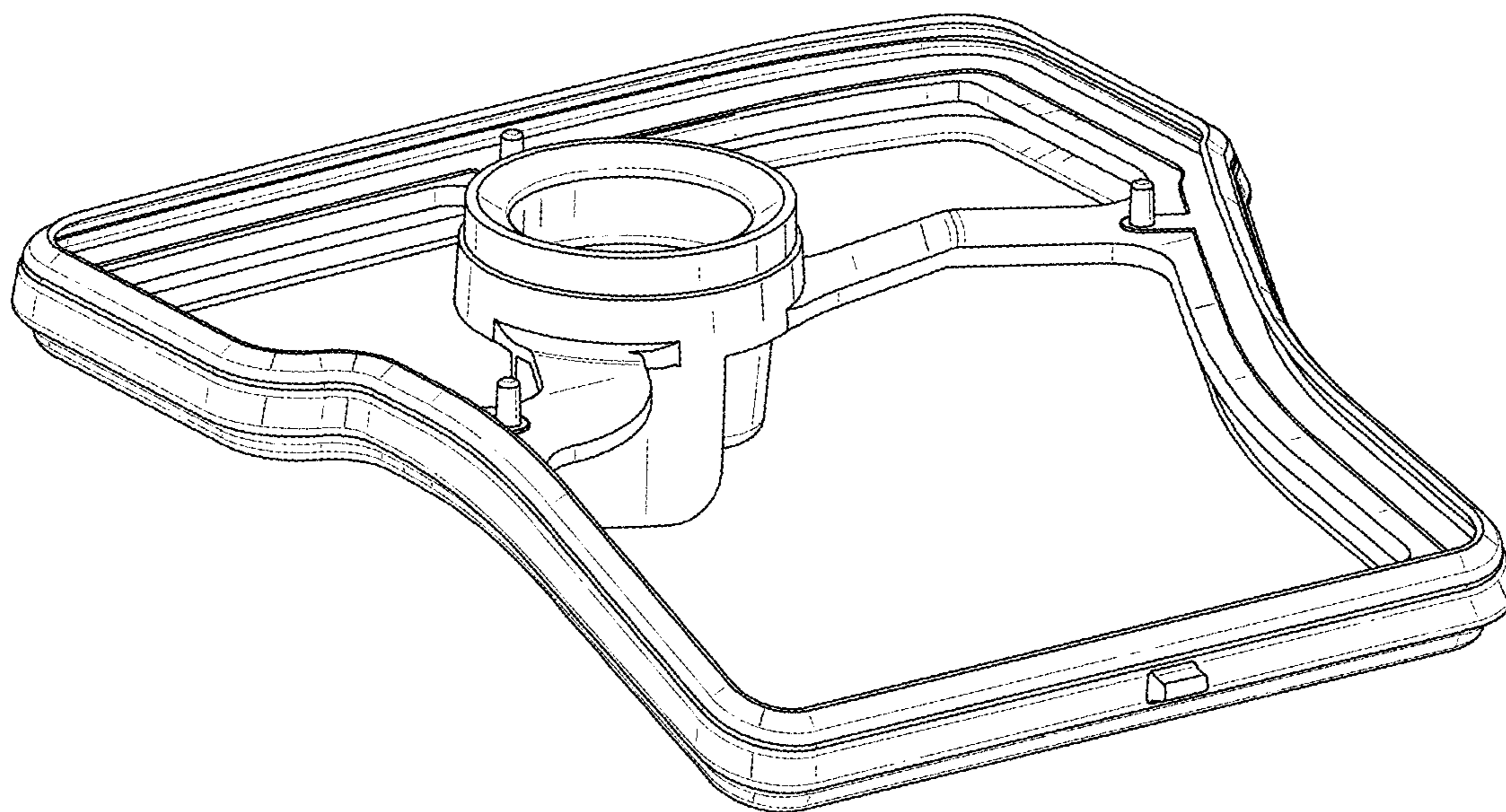


FIG. 8