



US00D977110S

(12) **United States Design Patent**
Arnold et al.

(10) **Patent No.: US D977,110 S**
(45) **Date of Patent: ** *Jan. 31, 2023**

- (54) **NEONATAL CARE DEVICE**
- (71) Applicant: **DRAEGER MEDICAL SYSTEMS, INC.**, Andover, MA (US)
- (72) Inventors: **Christina A. Arnold**, Perkasio, PA (US); **Ted W. Czupich**, New Hope, PA (US); **Jacob Gershteyn**, Newtown, PA (US); **Marcel Plug**, Noordwijk (NL); **Eduard Engelsman**, Lübeck (DE)
- (73) Assignee: **Draeger Medical Systems, Inc.**, Andover, MA (US)
- (*) Notice: This patent is subject to a terminal disclaimer.
- (**) Term: **15 Years**
- (21) Appl. No.: **29/648,402**
- (22) Filed: **May 21, 2018**
- (51) **LOC (14) Cl.** **24-02**
- (52) **U.S. Cl.**
USPC **D24/185**
- (58) **Field of Classification Search**
USPC D24/163, 185
CPC A47B 88/483; A61G 11/006; A61G 11/00; A61G 5/01; G16H 40/63
See application file for complete search history.

- 8,442,843 B2 * 5/2013 Kneuer A61B 5/01 705/2
- 8,602,963 B2 * 12/2013 Chilton, III A61G 11/00 600/22
- 8,651,594 B2 * 2/2014 Jones A47B 88/483 312/286
- D706,932 S * 6/2014 Matsubara D24/163
- 8,821,367 B2 * 9/2014 Khodak A61G 11/00 600/22
- 8,821,368 B2 * 9/2014 Khodak A61G 11/00 600/22
- 8,858,417 B2 * 10/2014 Khodak A61G 11/00 600/22
- D722,381 S * 2/2015 Mareguddi D24/163
- D791,328 S * 7/2017 Rapoport D24/163
- D814,639 S * 4/2018 Hampe D24/163
- D814,640 S * 4/2018 Hampe D24/163

(Continued)

FOREIGN PATENT DOCUMENTS

EM 003148667 5/2016

Primary Examiner — Rhea Shields
(74) *Attorney, Agent, or Firm* — Design IP

(57) **CLAIM**

The ornamental design for a neonatal care device, as shown and described.

DESCRIPTION

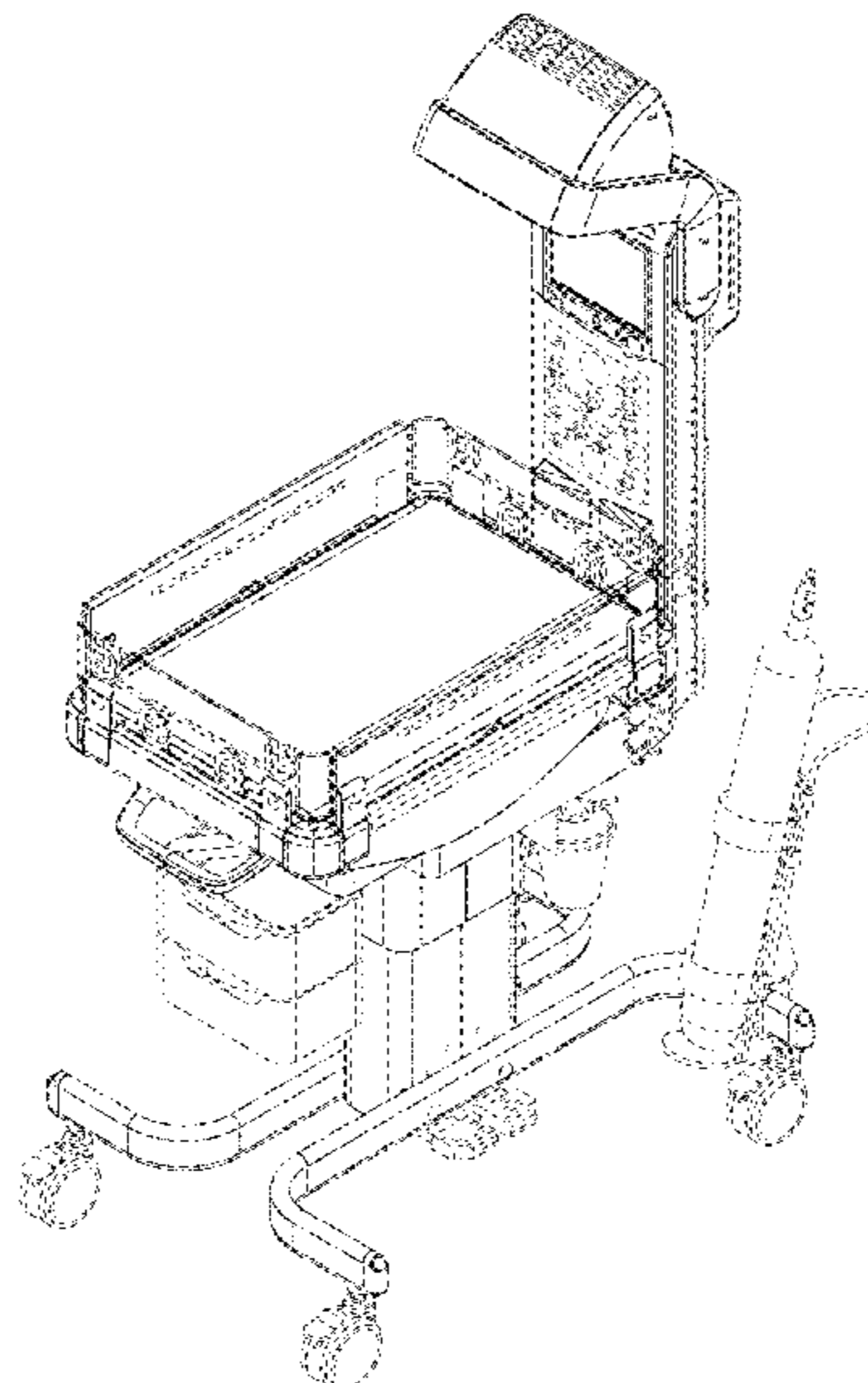
FIG. 1 is an upper right front perspective view of a first embodiment of a neonatal care device showing our new design;
 FIG. 2 is an upper left rear perspective view thereof;
 FIG. 3 is a front view thereof;
 FIG. 4 is a rear view thereof;
 FIG. 5 is a right side view thereof;
 FIG. 6 is a left side view thereof; and,
 FIG. 7 is a top view thereof.
 The broken lines in the figures show portions of the neonatal care device that form no part of the claimed design.

1 Claim, 7 Drawing Sheets

(56) **References Cited**

U.S. PATENT DOCUMENTS

- 7,357,772 B2 * 4/2008 McDermott G16H 40/63 600/22
- 7,588,532 B2 * 9/2009 Costanzo A61G 11/00 5/655
- D601,704 S * 10/2009 Chilton, III D24/163
- D604,416 S * 11/2009 Chilton, III A61G 11/00 D24/163
- D625,071 S * 10/2010 Shigeno D24/185



(56)

References Cited

U.S. PATENT DOCUMENTS

D815,287 S * 4/2018 Hampe D24/163
D818,128 S * 5/2018 Wakabayashi D24/163
2004/0234254 A1* 11/2004 Czapich A61G 11/00
392/403
2013/0303834 A1* 11/2013 Gershteyn A61G 11/00
600/22
2017/0340499 A1* 11/2017 Hampe A61G 11/006

* cited by examiner

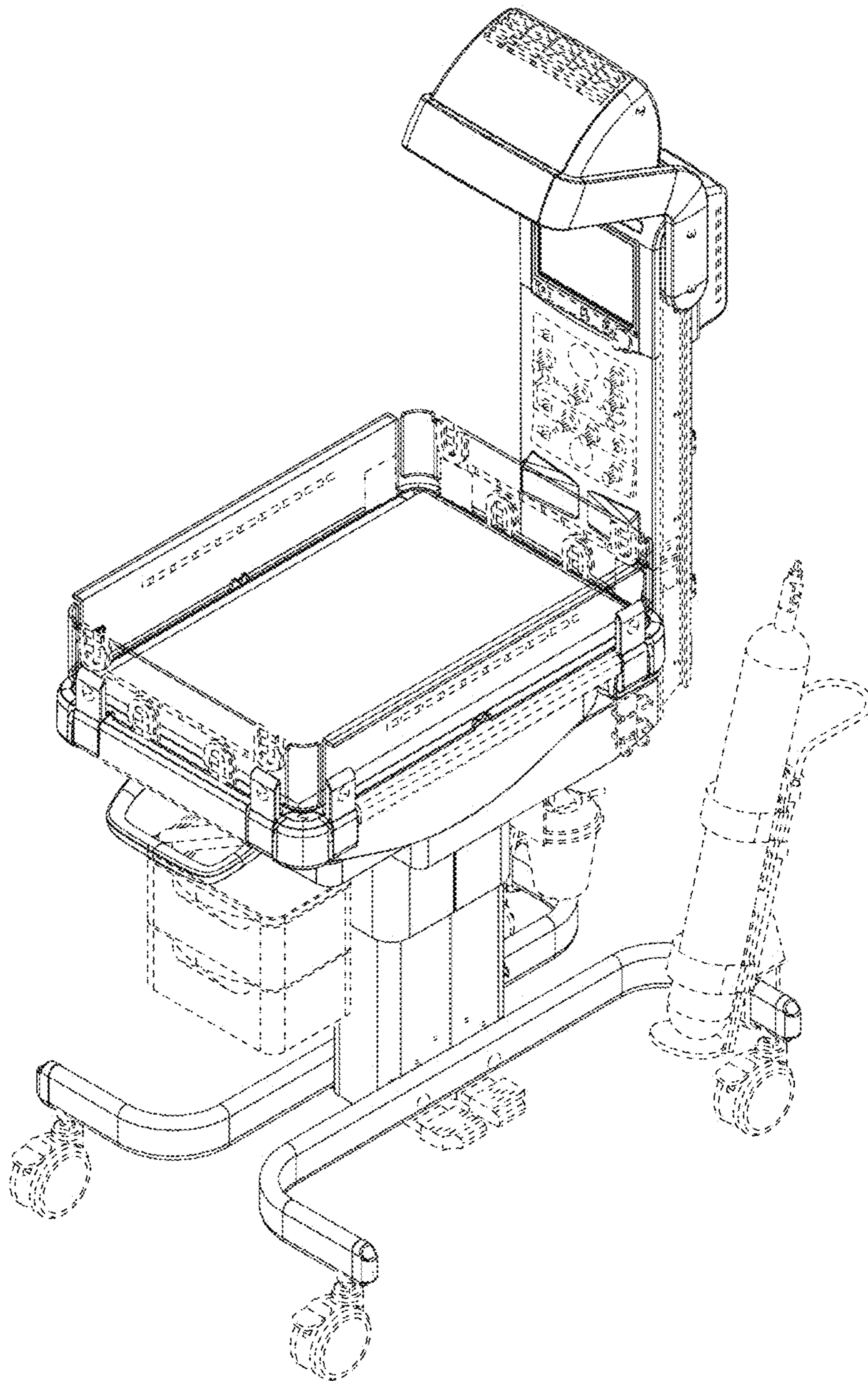


FIG. 1

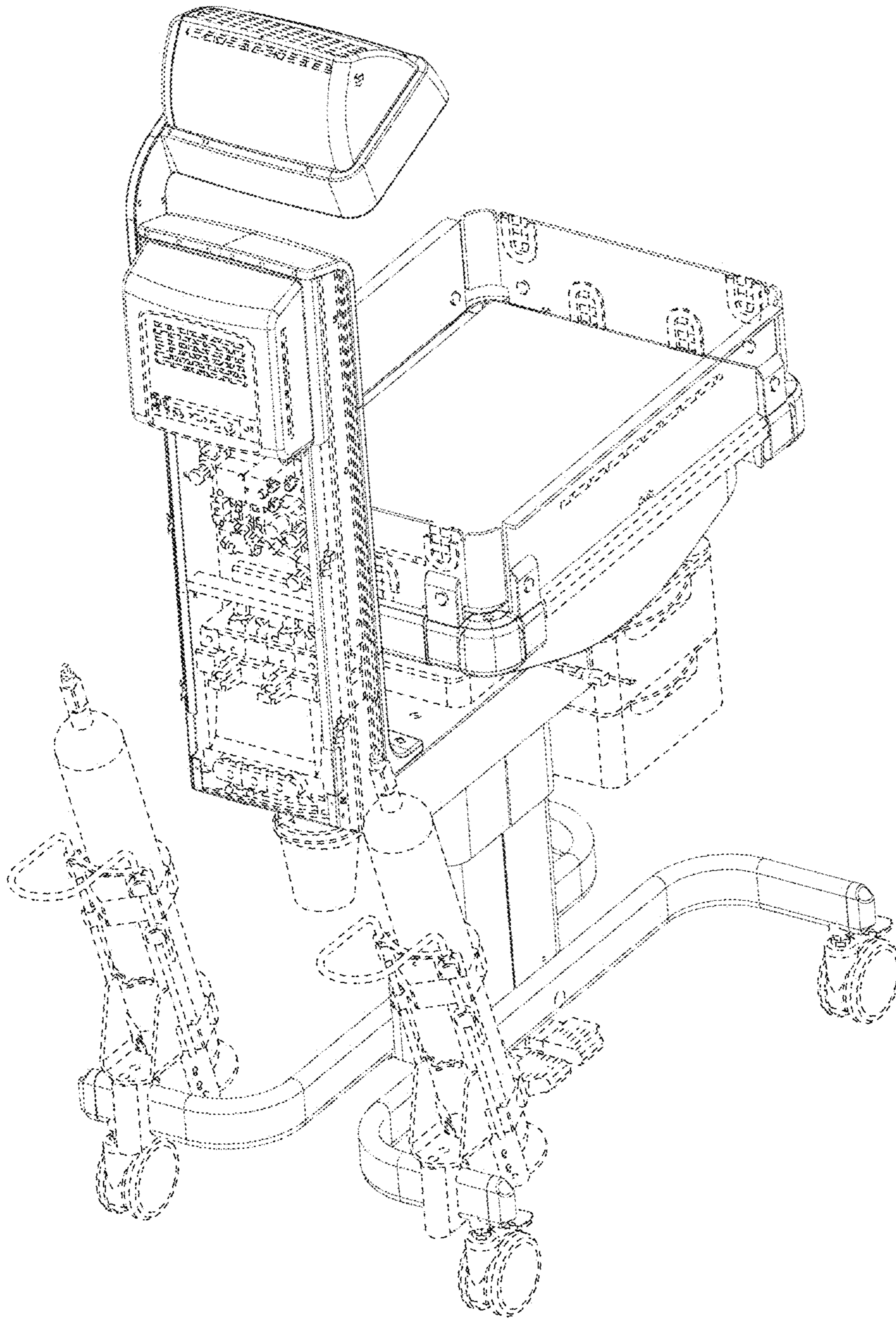


FIG. 2

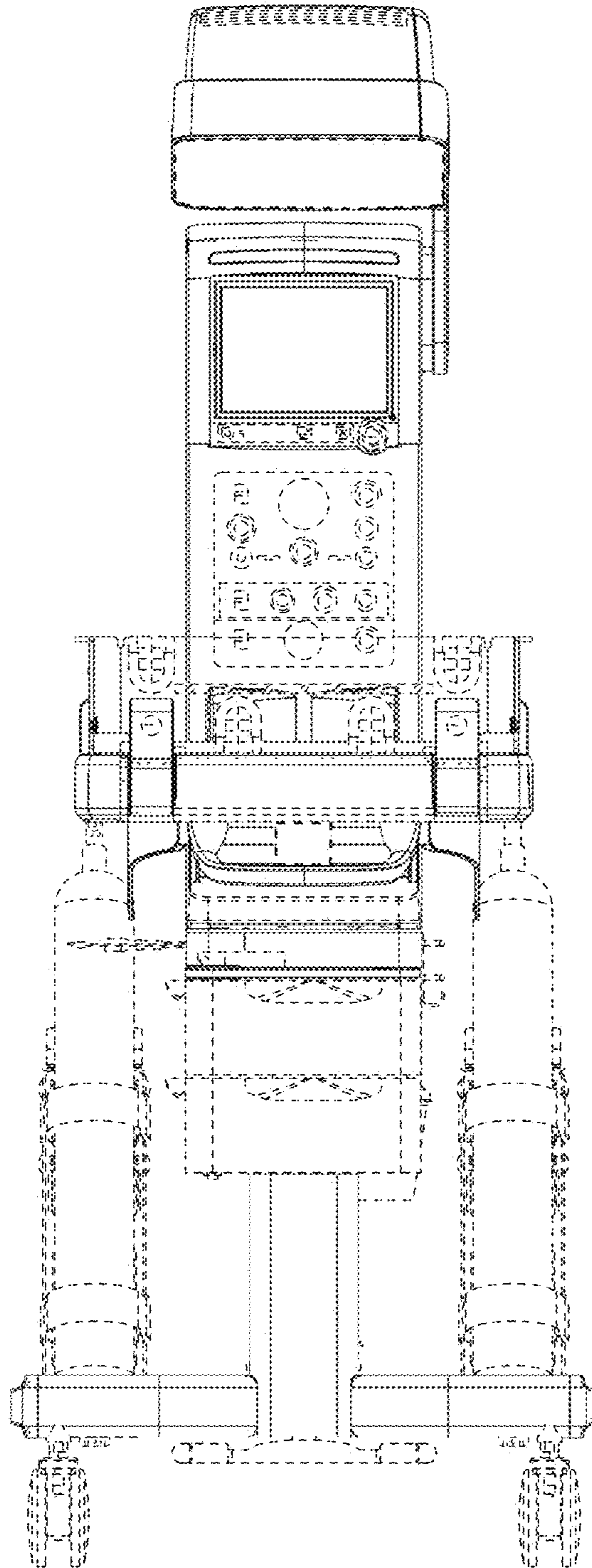


FIG. 3

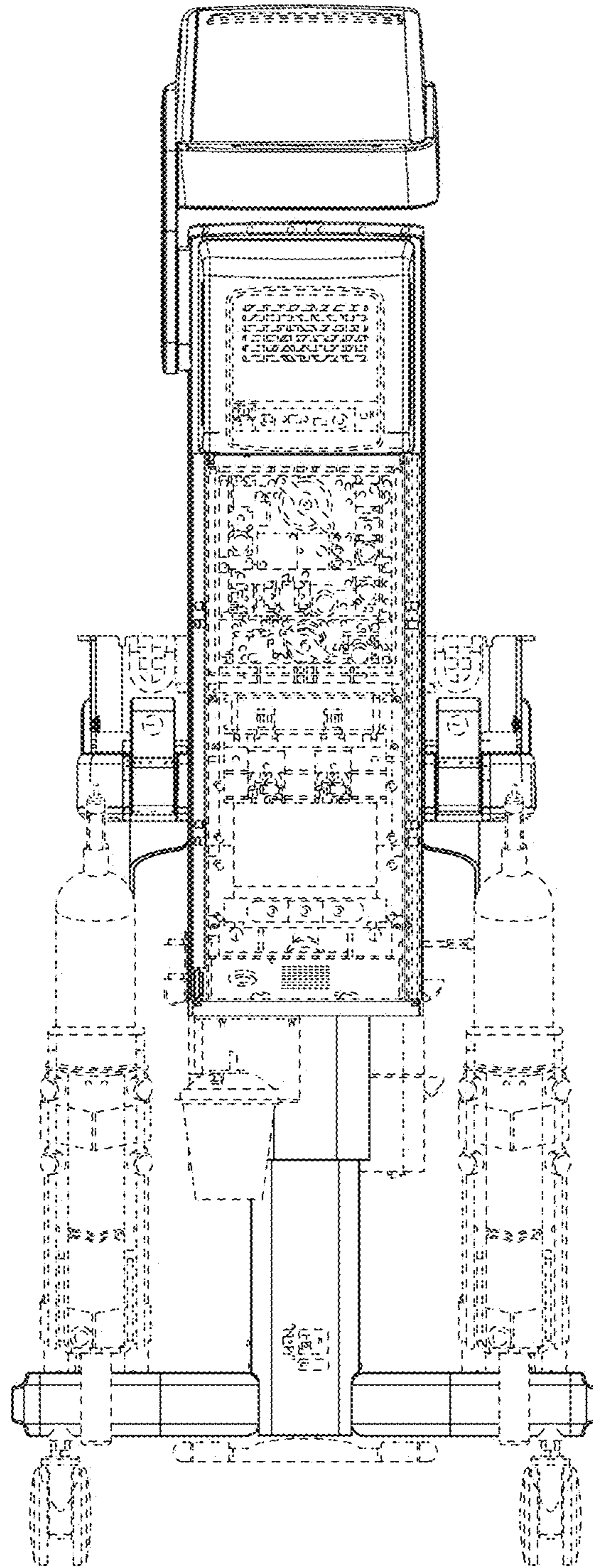


FIG. 4

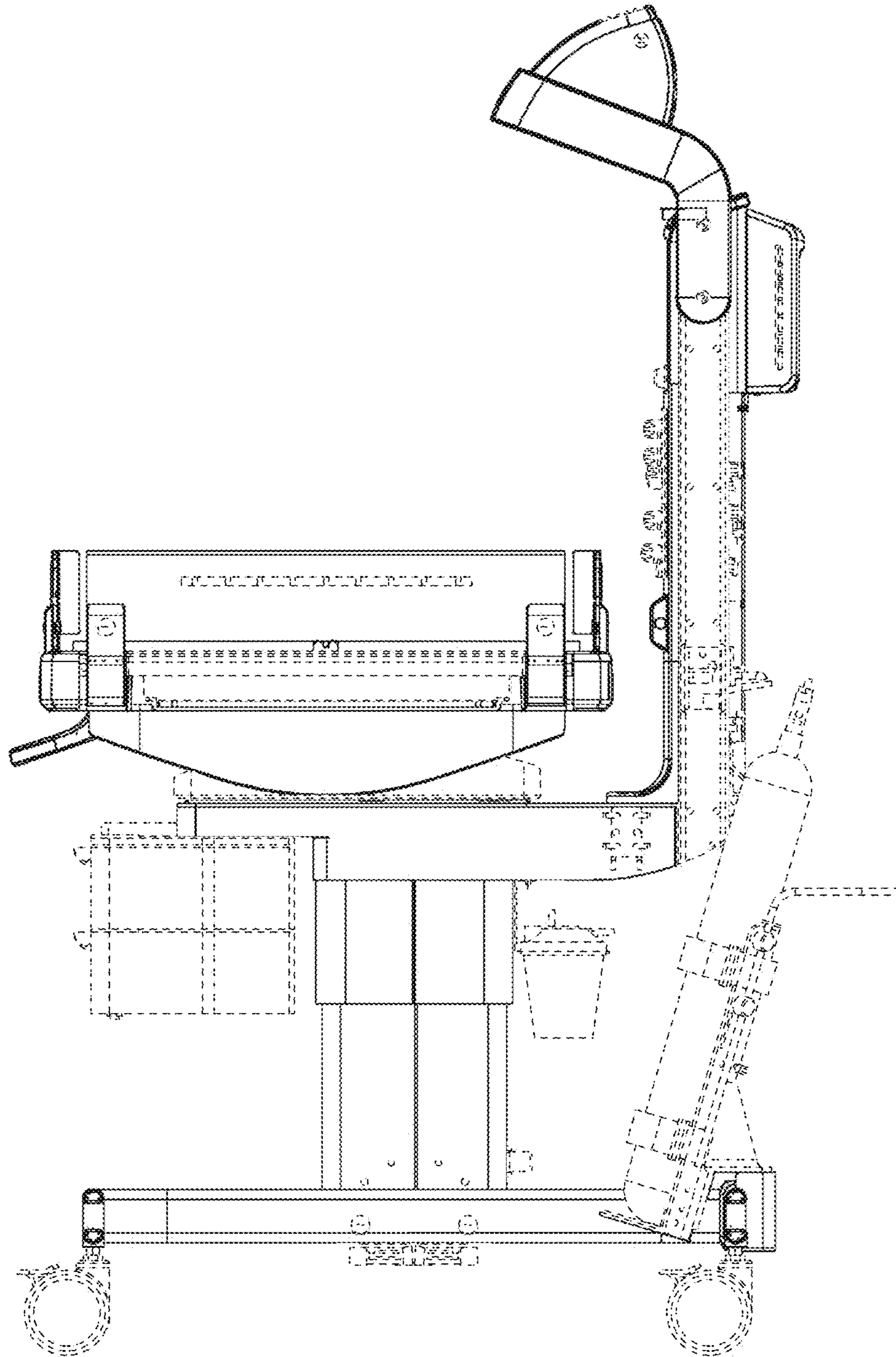


FIG. 5

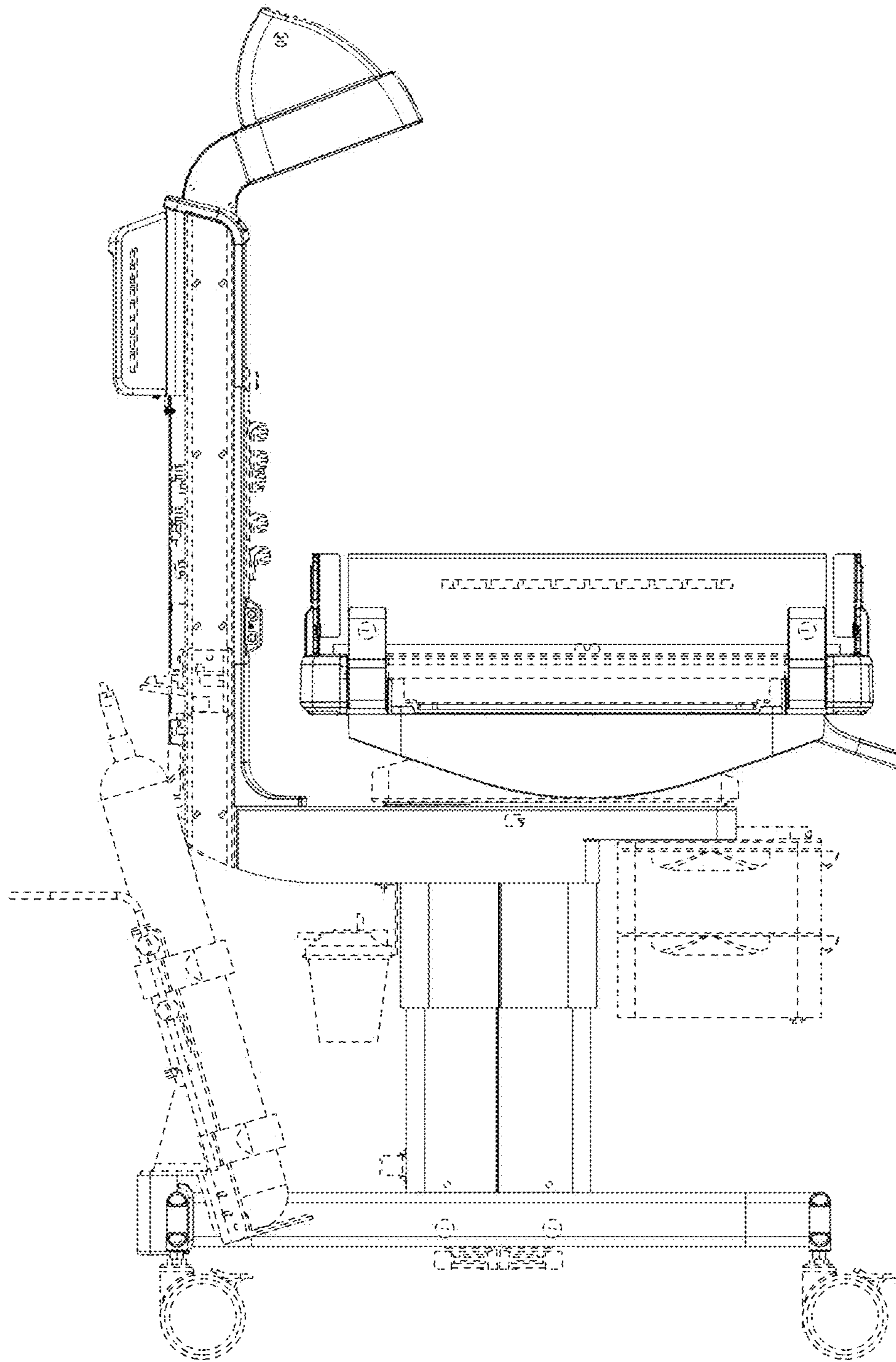


FIG. 6

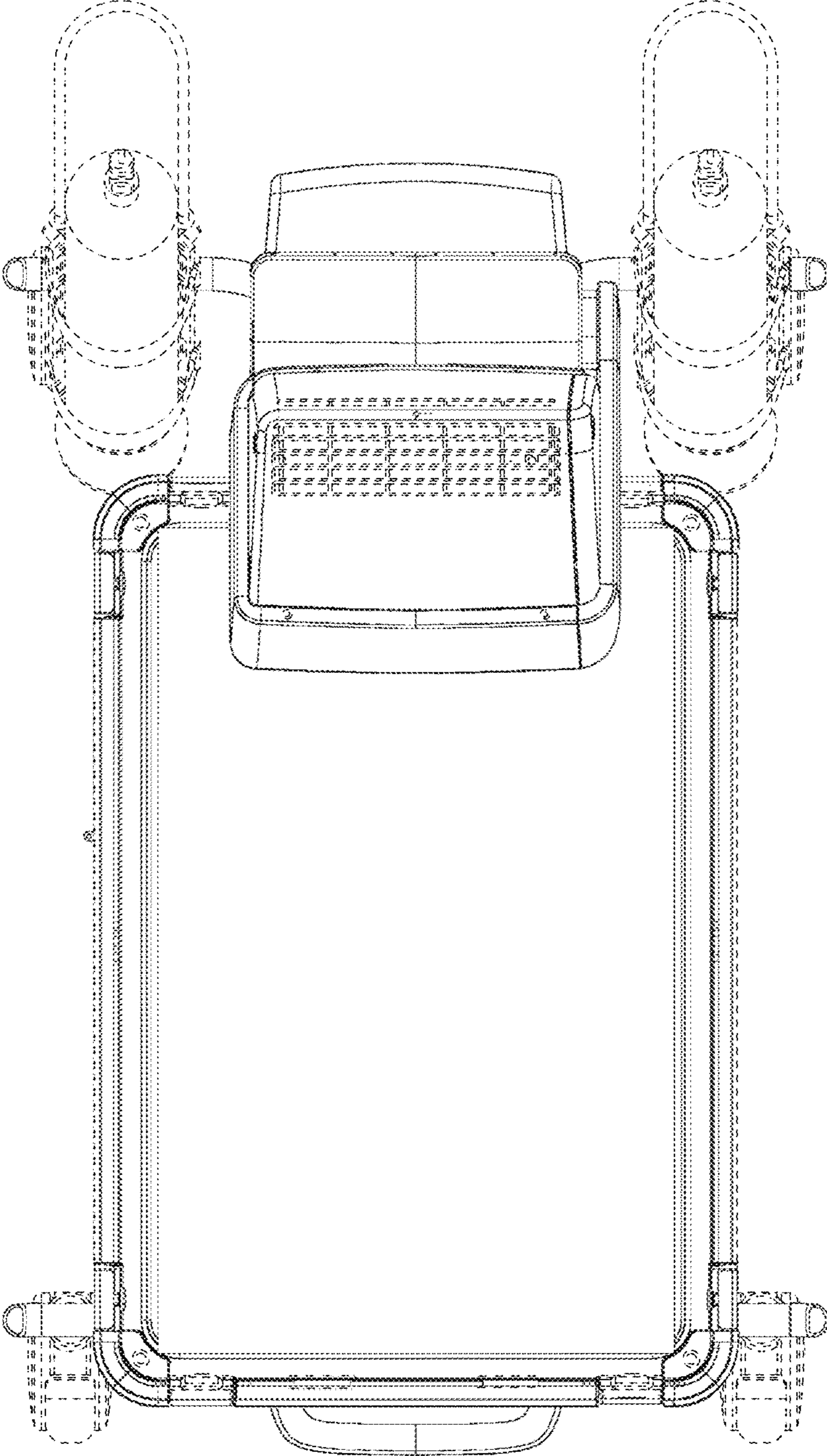


FIG. 7