



US00D977108S

(12) **United States Design Patent** (10) **Patent No.:** **US D977,108 S**
Zhu (45) **Date of Patent:** **** Jan. 31, 2023**

(54) **LED VEIN FINDER**
 (71) Applicant: **Huabin Zhu**, Shenzhen (CN)
 (72) Inventor: **Huabin Zhu**, Shenzhen (CN)
 (**) Term: **15 Years**
 (21) Appl. No.: **29/800,412**
 (22) Filed: **Jul. 21, 2021**
 (51) **LOC (14) Cl.** **24-02**
 (52) **U.S. Cl.**
 USPC **D24/164**
 (58) **Field of Classification Search**
 USPC D24/164, 172, 186, 187, 165, 143, 147,
 D24/112, 111, 140, 110.5; D28/7;
 D26/38, 37, 65; D16/135; D23/209
 CPC .. G02B 25/002; G02B 25/008; A61M 1/3653;
 A61M 25/00; A61M 25/0693; A61M
 25/0111; A61B 10/00; A61B 17/1322;
 A61B 5/15003; A61B 5/0077; A61B
 17/1355; F04B 43/1253
 See application file for complete search history.

5,080,098 A * 1/1992 Willett A61B 5/14552
 600/479
 D336,655 S * 6/1993 Lee D26/65
 D481,459 S * 10/2003 Nahm D24/186
 D502,773 S 3/2005 Abry
 D544,008 S * 6/2007 Stewart D16/135
 D558,878 S * 1/2008 Lordo D24/164
 D566,283 S * 4/2008 Brafford D24/186
 D669,512 S * 10/2012 Besse D16/135
 D672,039 S 12/2012 Oboh et al.
 D691,721 S 10/2013 Scheibel et al.
 D716,494 S 10/2014 Black
 D754,329 S * 4/2016 Fleischer D24/110.5
 D754,357 S * 4/2016 Lindekugel D24/187
 D781,477 S * 3/2017 Mehta D26/38
 D817,545 S * 5/2018 Castellano D28/7
 D827,890 S * 9/2018 Mullani D26/37
 10,076,272 B2 * 9/2018 Devgon A61B 5/15003
 10,182,825 B2 * 1/2019 Kirchner A61B 17/1322

(Continued)

Primary Examiner — Rhea Shields

(74) Attorney, Agent, or Firm — Rumit Ranjit Kanakia

(57) **CLAIM**

The ornamental design for a LED vein finder, as shown and described.

DESCRIPTION

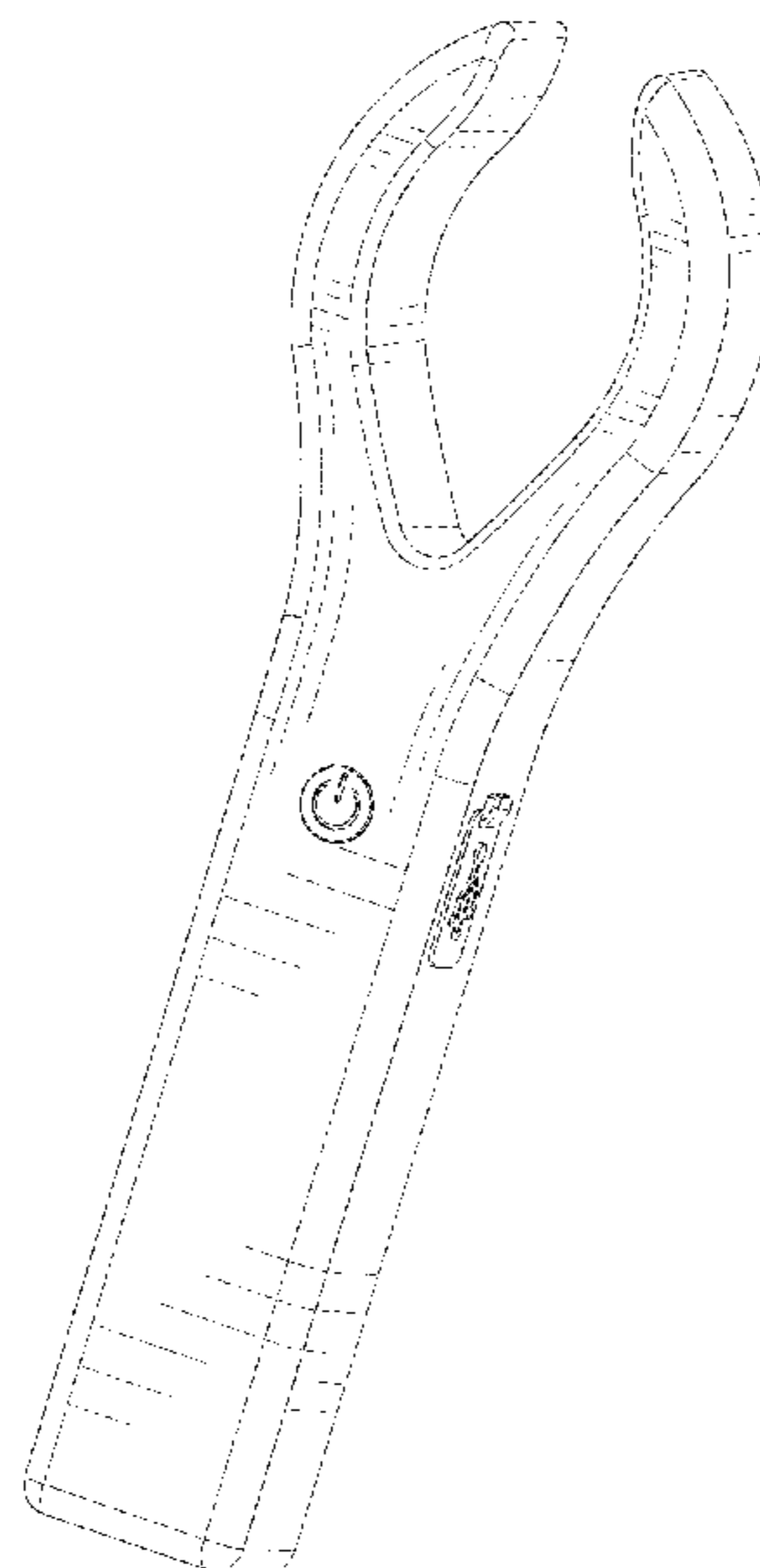
FIG. 1 is a perspective view of a LED vein finder showing my new design;
 FIG. 2 is a front view thereof;
 FIG. 3 is a rear view thereof;
 FIG. 4 is a right-side view thereof;
 FIG. 5 is a left-side view thereof;
 FIG. 6 is a top view thereof;
 FIG. 7 is a bottom view thereof; and,
 FIG. 8 is a right-side view of a LED vein finder shown with an open connector port.
 The broken lines in the drawings depict portions of the LED vein finder that form no part of the claimed design.

1 Claim, 6 Drawing Sheets

(56) **References Cited**

U.S. PATENT DOCUMENTS

2,483,924 A * 10/1949 Moulinier F04B 43/1253
 D24/111
 D195,931 S * 8/1963 Chernov D24/143
 3,185,151 A * 5/1965 Czorny A61M 25/0111
 D24/112
 3,286,711 A * 11/1966 MacLeod A61B 17/1355
 4/535
 3,459,183 A * 8/1969 Pannier, Jr. A61M 25/0693
 600/580
 3,559,643 A * 2/1971 Pannier, Jr. A61M 25/00
 D24/112
 D237,116 S * 10/1975 Vage et al. D24/147
 D259,662 S * 6/1981 Gandier D24/143
 D319,311 S * 8/1991 Kohler D24/165



(56)

References Cited

U.S. PATENT DOCUMENTS

D857,197 S * 8/2019 Loewe D24/140
10,639,008 B2 * 5/2020 Lindekugel A61B 10/00
D890,295 S * 7/2020 Xu D23/209
D896,597 S 9/2020 Deglon
10,835,663 B2 * 11/2020 Peh A61M 1/3653
D947,387 S * 3/2022 Ogura D24/187
11,395,714 B2 * 7/2022 Mullani G02B 25/002
2005/0168980 A1 * 8/2005 Dryden A61B 5/489
362/230
2015/0036311 A1 * 2/2015 Mullani A61B 5/0077
362/230
2021/0137633 A1 * 5/2021 Mullani G02B 25/008

* cited by examiner

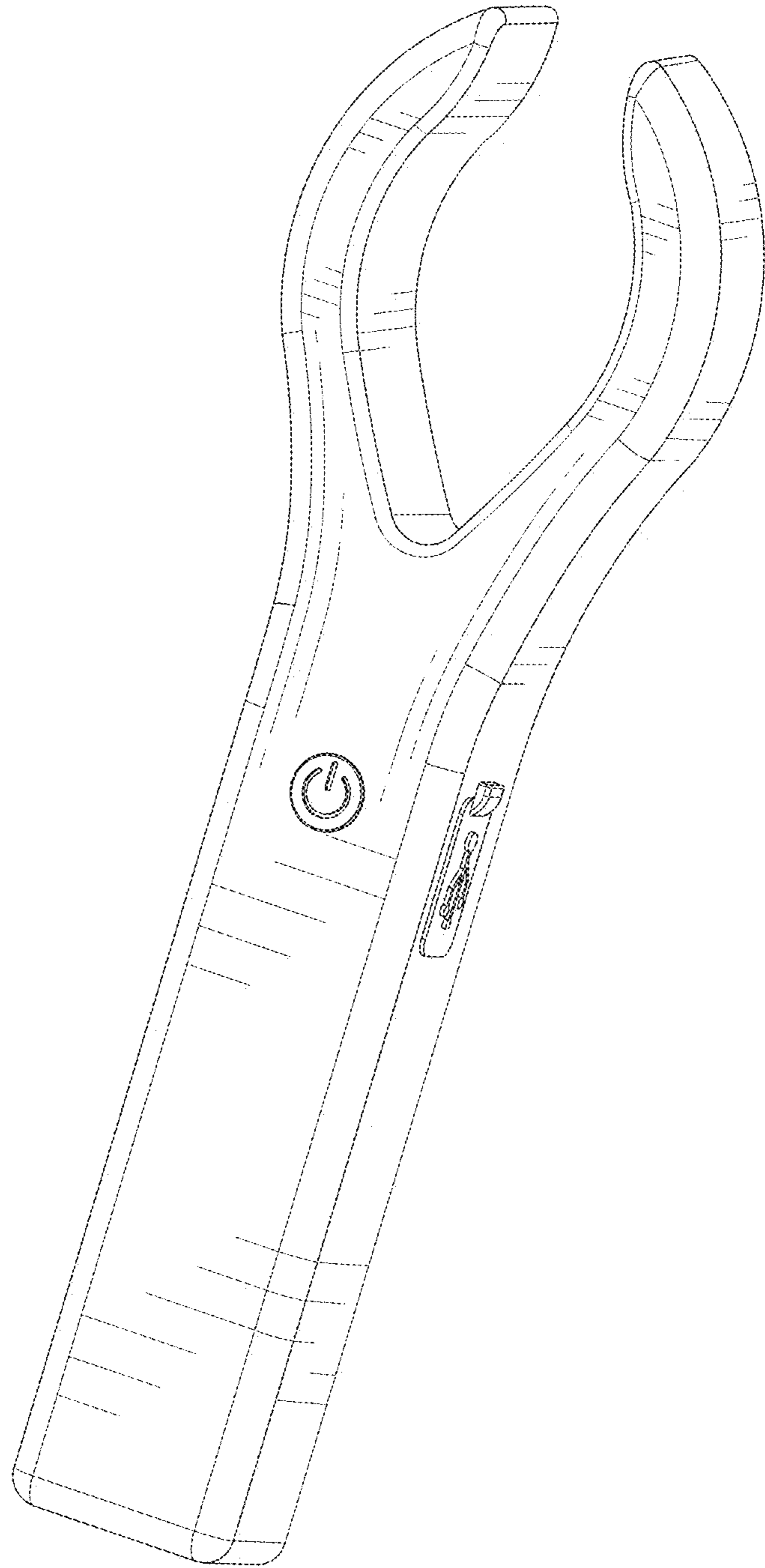


FIG.1

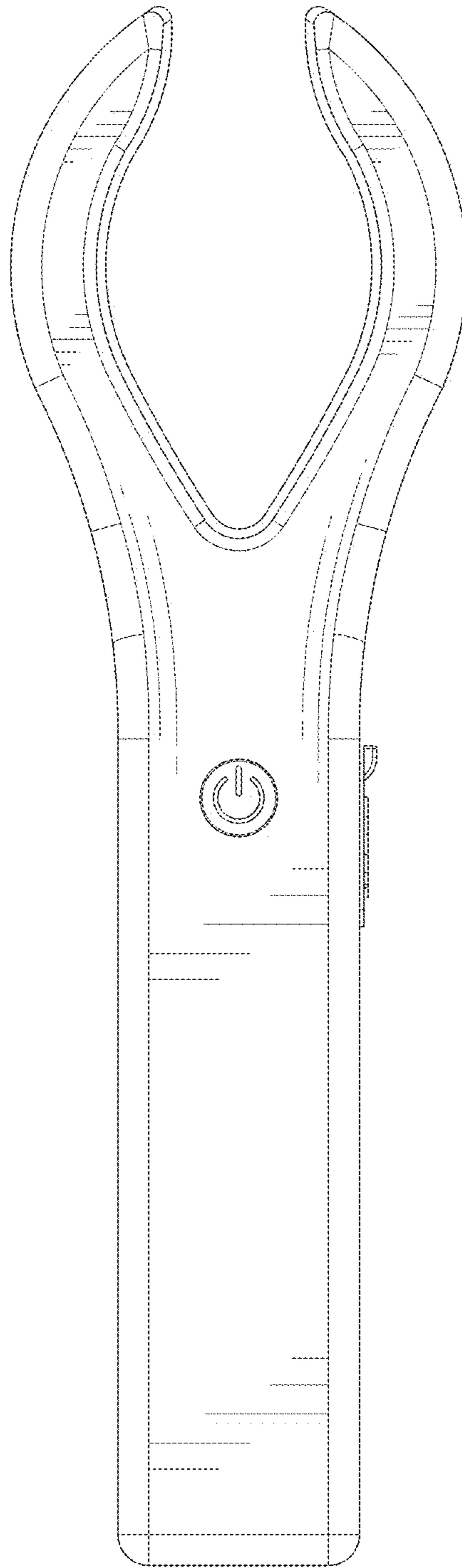


FIG.2

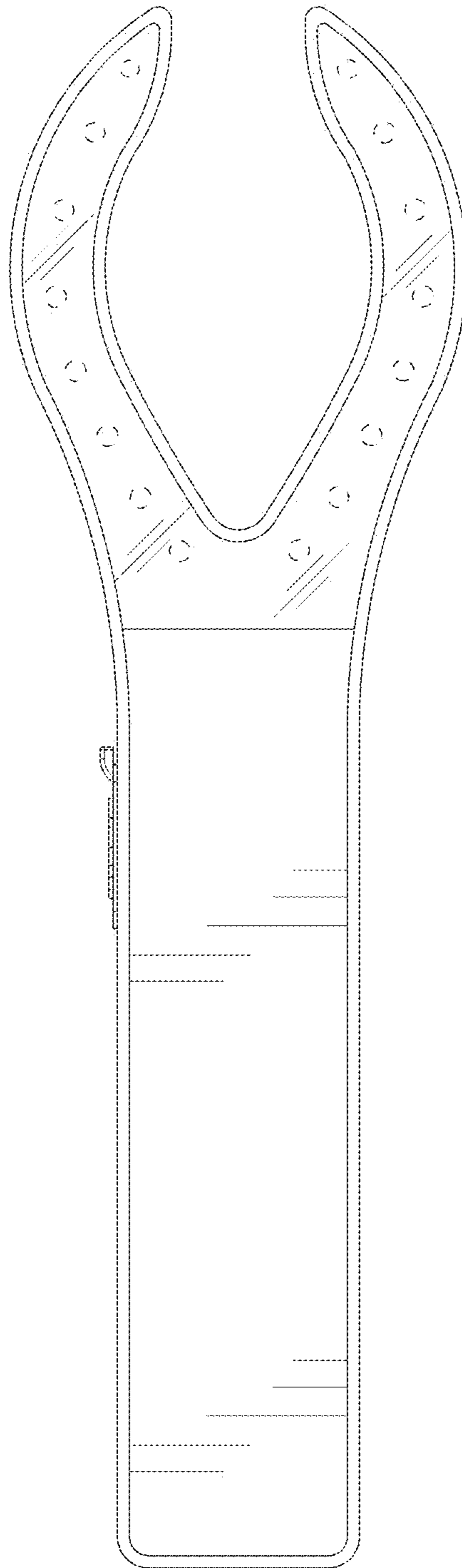


FIG.3

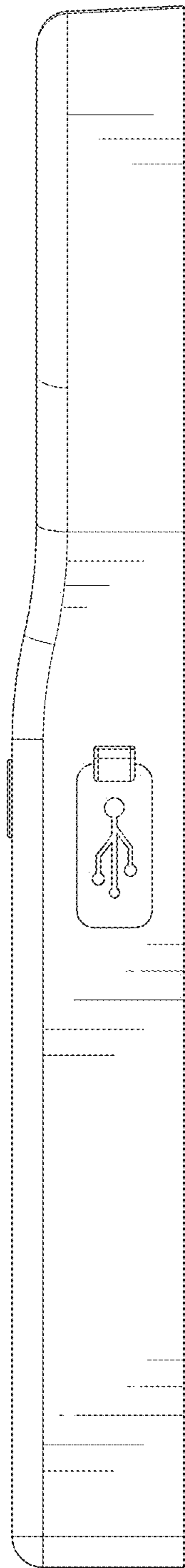


FIG. 4

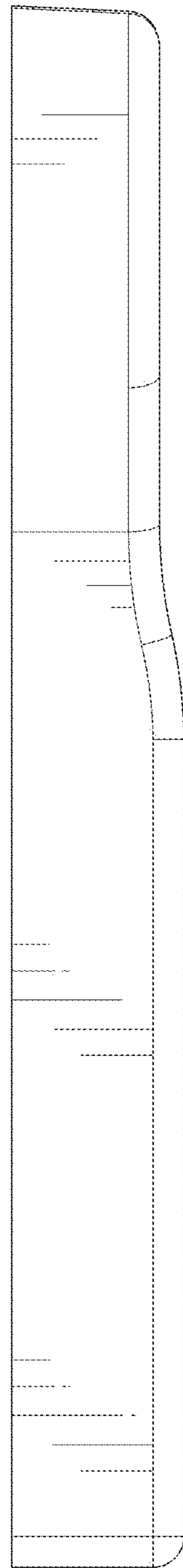


FIG. 5

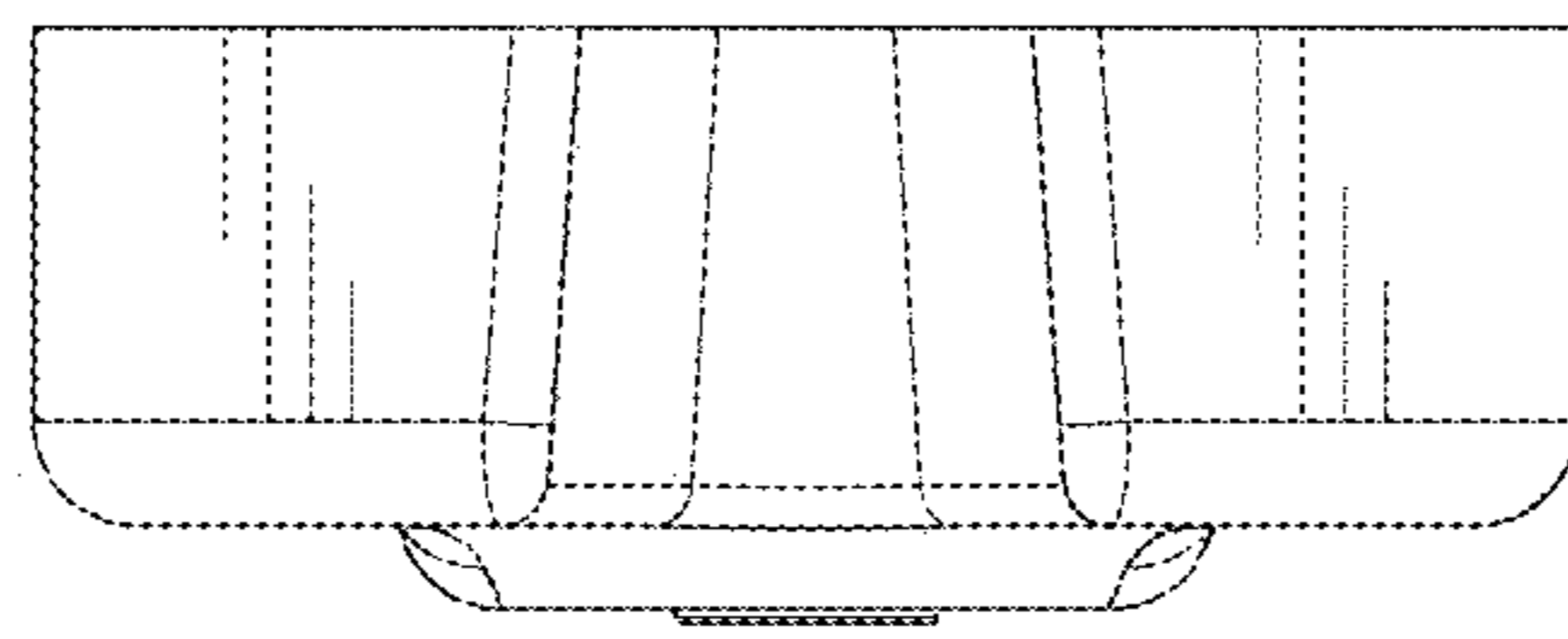


FIG. 6

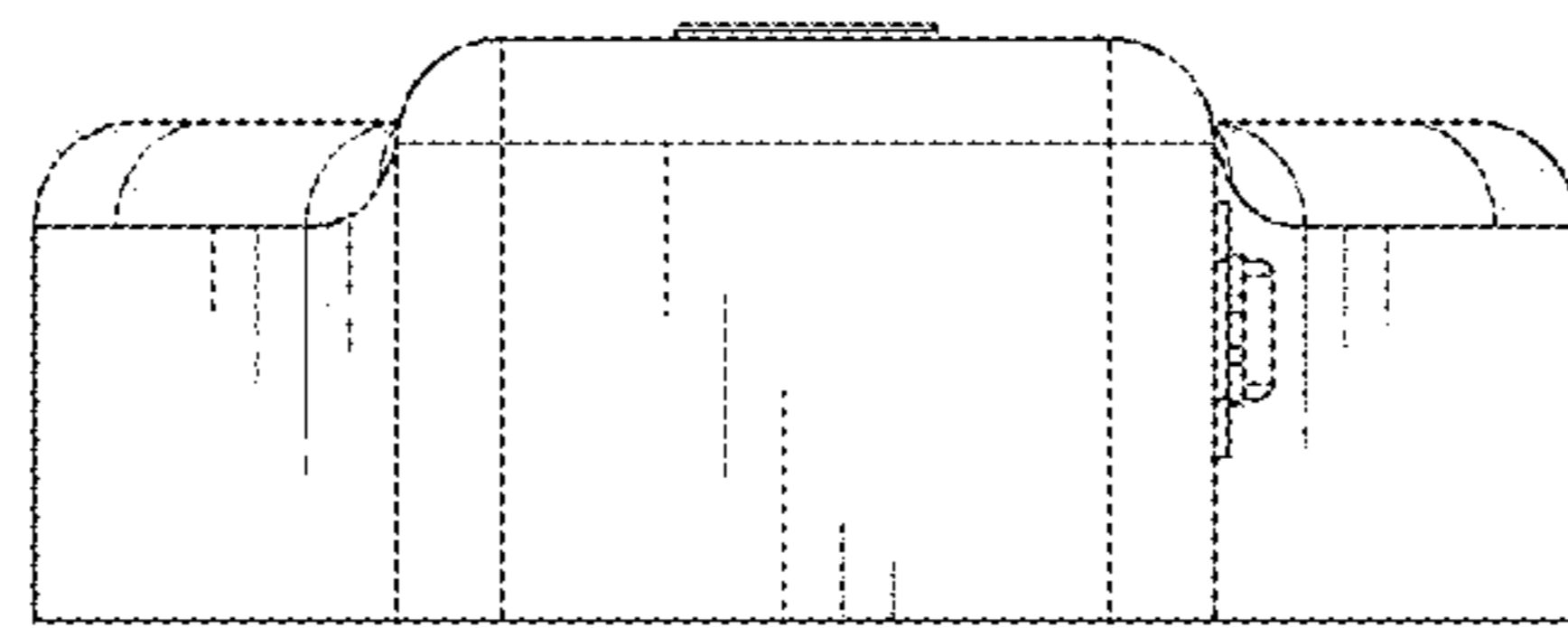


FIG. 7

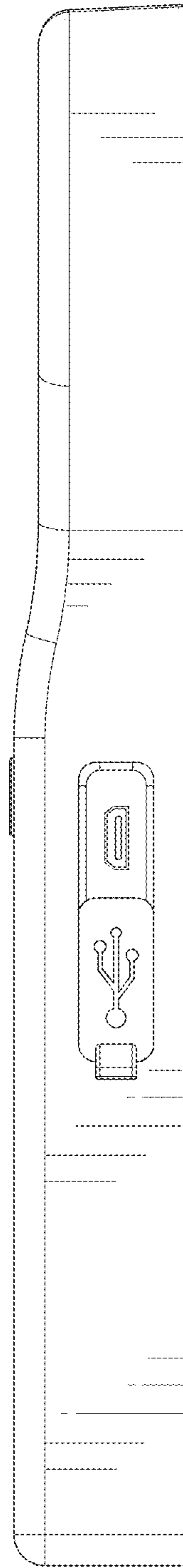


FIG.8