



US00D977105S

(12) **United States Design Patent** (10) **Patent No.:** **US D977,105 S**
Fahl (45) **Date of Patent:** **** Jan. 31, 2023**

(54) **EPITHESES INSERT**

(56) **References Cited**

(71) Applicant: **Andreas Fahl**
Medizintechnik—Vertrieb GmbH,
Cologne (DE)

(72) Inventor: **Andreas Fahl,** Cologne (DE)

(73) Assignee: **Andreas Fahl**
Medizintechnik—Vertrieb GmbH,
Cologne (DE)

(**) Term: **15 Years**

(21) Appl. No.: **29/838,566**

(22) Filed: **May 13, 2022**

U.S. PATENT DOCUMENTS

1,287,903 A	12/1918	Daily	
2,653,815 A *	9/1953	Hartung	A63B 63/00 473/182
2,933,318 A	4/1960	Boynton	
5,275,404 A *	1/1994	Dimaano	A63B 57/40 206/315.9
5,425,763 A *	6/1995	Stemmann	A61C 8/0081 403/DIG. 1
5,597,306 A *	1/1997	Horlitz	A61F 2/00 433/184
D385,610 S	10/1997	McDonald	
D411,601 S	6/1999	Fong	
5,951,602 A	9/1999	Eaton	
6,113,635 A *	9/2000	Gehl	A61F 2/52 623/7
6,290,497 B1 *	9/2001	Di Emidio	A61C 19/055 433/76
6,447,541 B1 *	9/2002	Gehl	A61F 2/52 623/7
D673,635 S	1/2013	Cameron	
D730,183 S *	5/2015	Fahl	D24/155
D746,683 S *	1/2016	Fahl	D9/454
D754,332 S *	4/2016	Fahl	D24/118

(Continued)

Related U.S. Application Data

(62) Division of application No. 29/665,211, filed on Oct. 1, 2018, now Pat. No. Des. 958,365.

(30) **Foreign Application Priority Data**

Mar. 29, 2018	(EM)	005136926-0001
Mar. 29, 2018	(EM)	005136926-0002
Mar. 29, 2018	(EM)	005136926-0003
Mar. 29, 2018	(EM)	005136926-0004
Mar. 29, 2018	(EM)	005136926-0005
Mar. 29, 2018	(EM)	005136926-0006
Mar. 29, 2018	(EM)	005136926-0007

(51) **LOC (14) Cl.** **24-03**

(52) **U.S. Cl.**
USPC **D24/155**

(58) **Field of Classification Search**
USPC D24/155
CPC A61F 2/14; A61F 2/18
See application file for complete search history.

Primary Examiner — Charles D Hanson

(74) *Attorney, Agent, or Firm* — Dinsmore & Shohl LLP

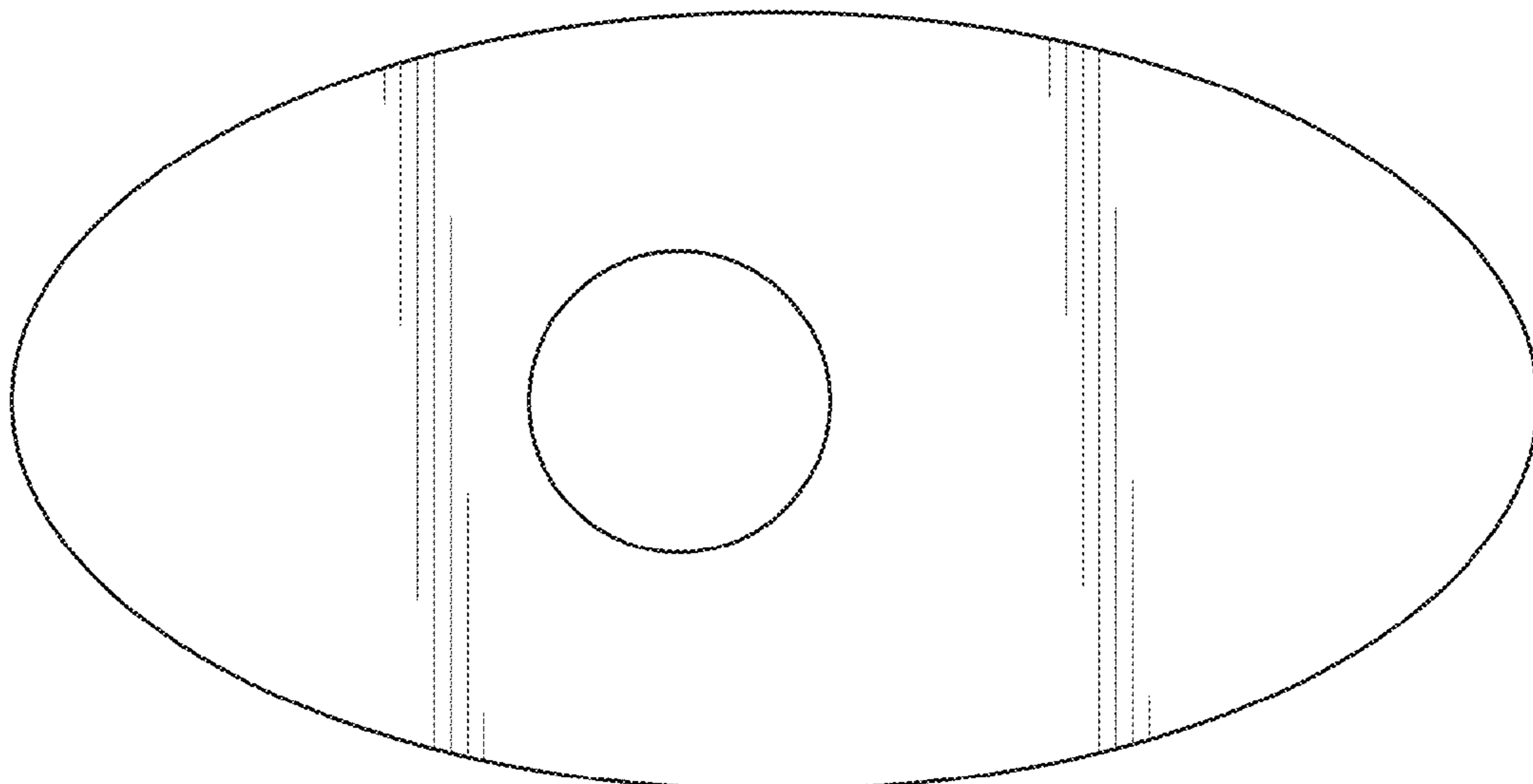
(57) **CLAIM**

The ornamental design for an epithesis insert, as shown and described.

DESCRIPTION

FIG. 1 is a top plan view of the epithesis insert showing my new design;
FIG. 2 is a side elevational view thereof, the other side is a mirror image;
FIG. 3 is a front elevational view thereof;
FIG. 4 is a perspective view of the top thereof;
FIG. 5 is a perspective view of the bottom and side thereof;
and,
FIG. 6 is a bottom plan view thereof.

1 Claim, 2 Drawing Sheets



(56)

References Cited

U.S. PATENT DOCUMENTS

9,327,176	B1	5/2016	Goserud et al.	
D786,424	S *	5/2017	Fahl	D24/118
D786,425	S *	5/2017	Fahl	D24/118
10,300,233	B2 *	5/2019	Fahl	A61M 16/047
D862,622	S	10/2019	Goserud	
D916,222	S	4/2021	Goserud	
D958,365	S *	7/2022	Fahl	D24/155
2007/0055254	A1 *	3/2007	Ihde	A61B 17/84 606/71
2016/0331514	A1	11/2016	Christopherson	
2020/0316850	A1	10/2020	Seitz et al.	
2021/0106424	A1	4/2021	Dimitroulis	

* cited by examiner

FIG. 1

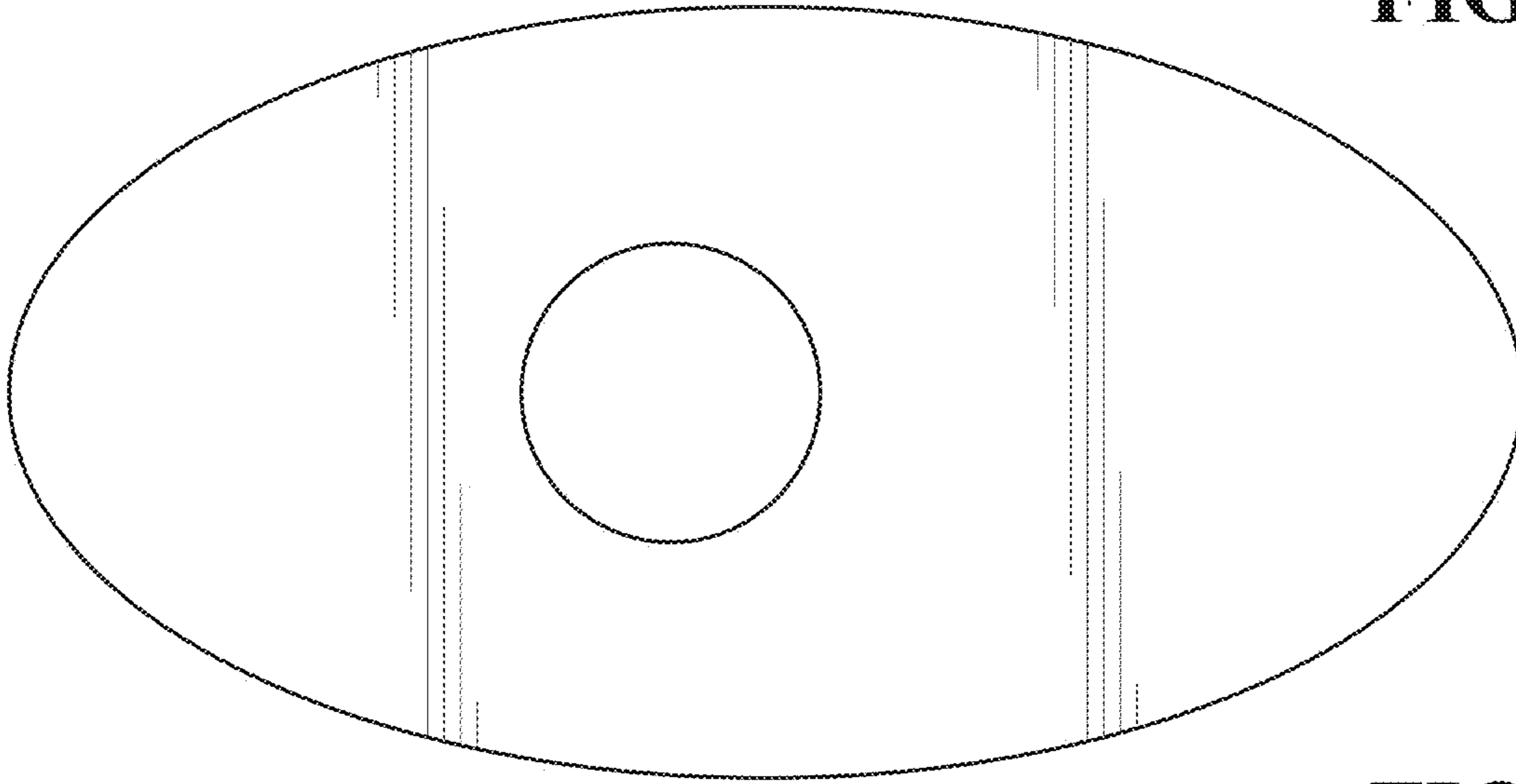


FIG. 2

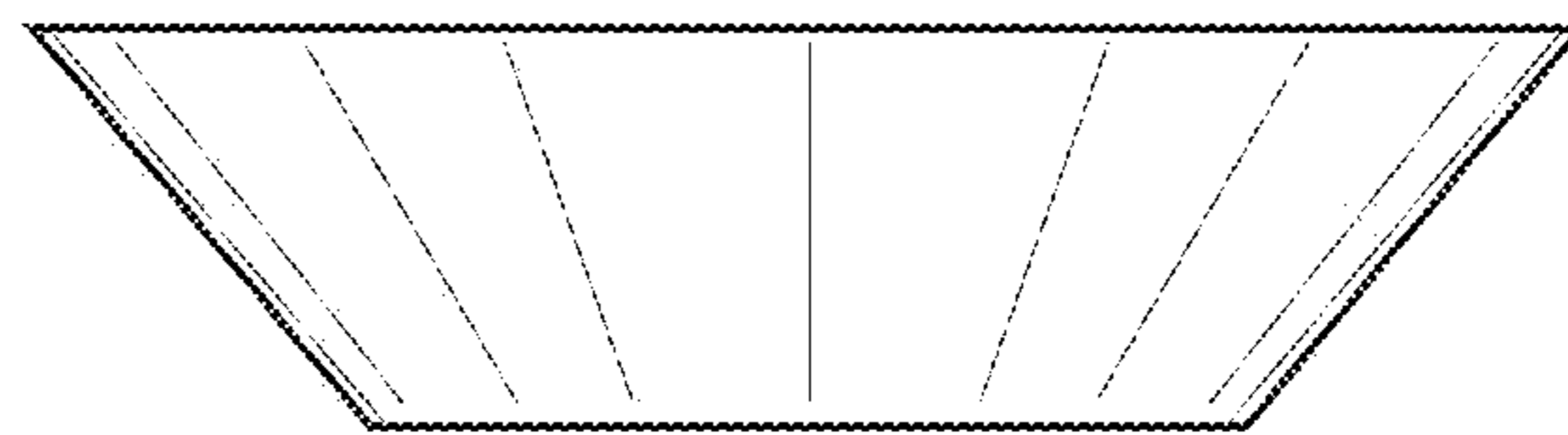
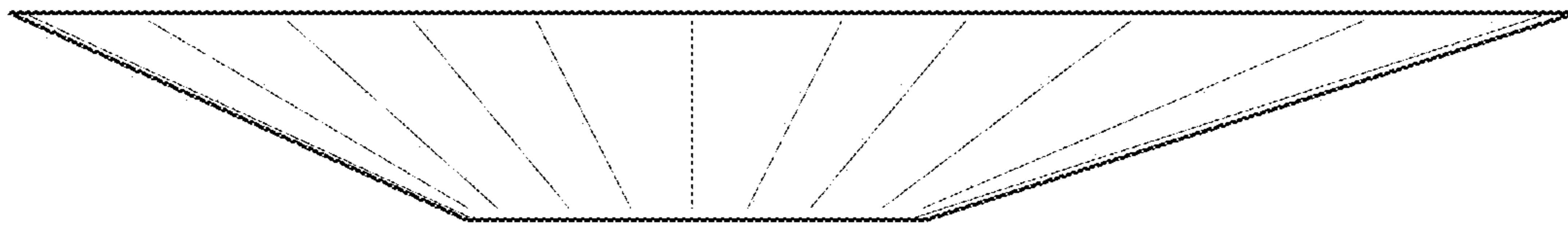


FIG. 3

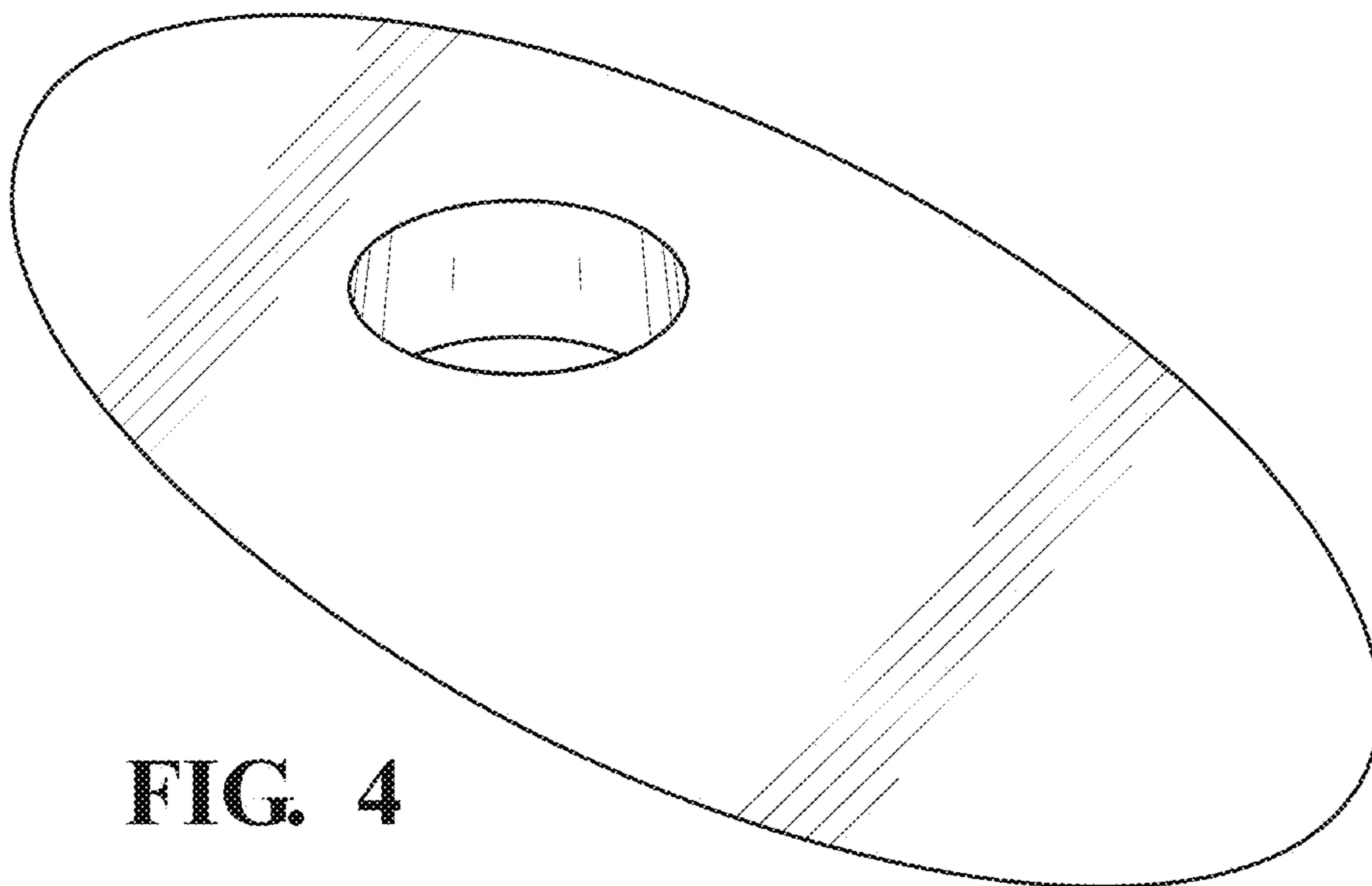


FIG. 4

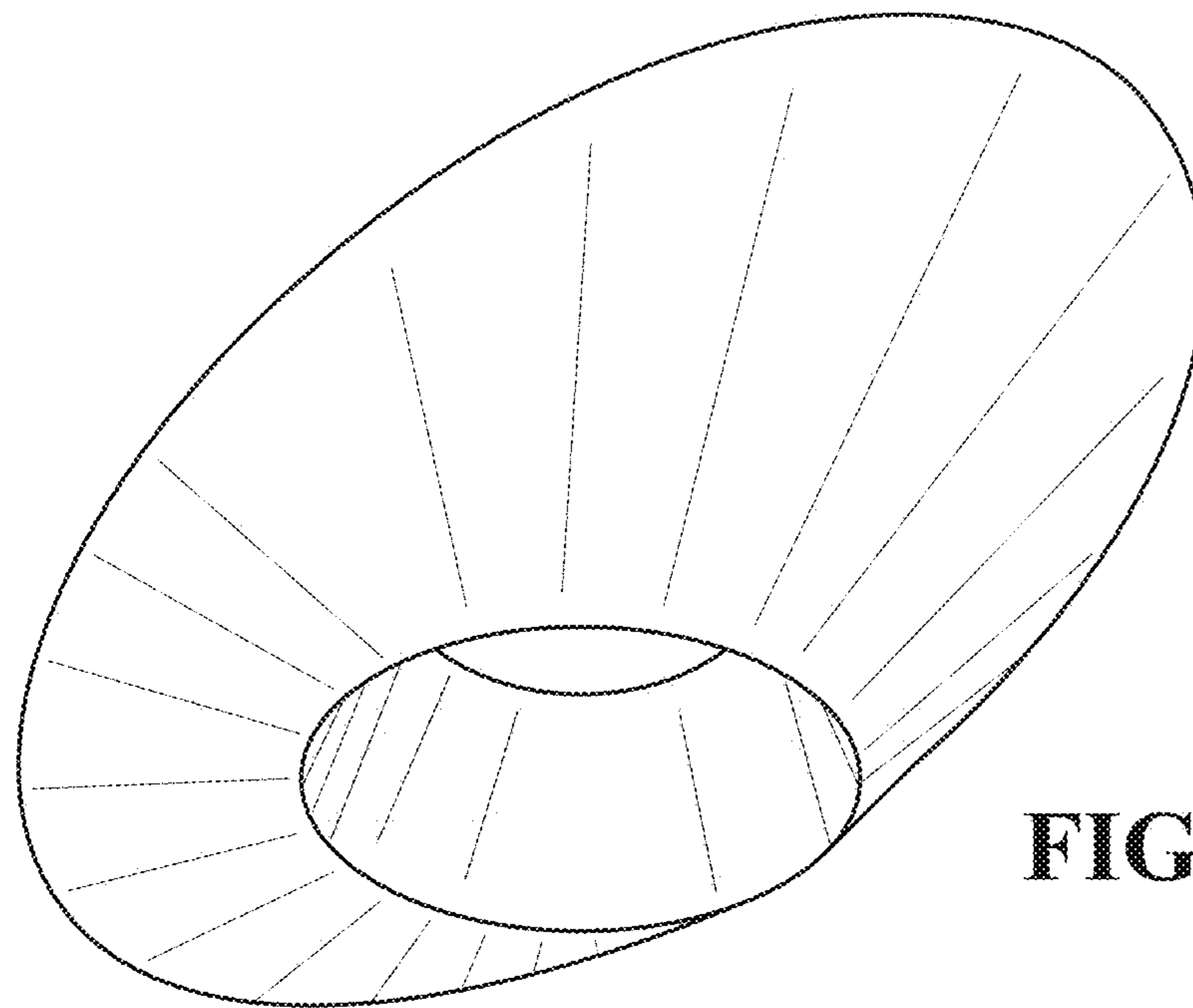


FIG. 5

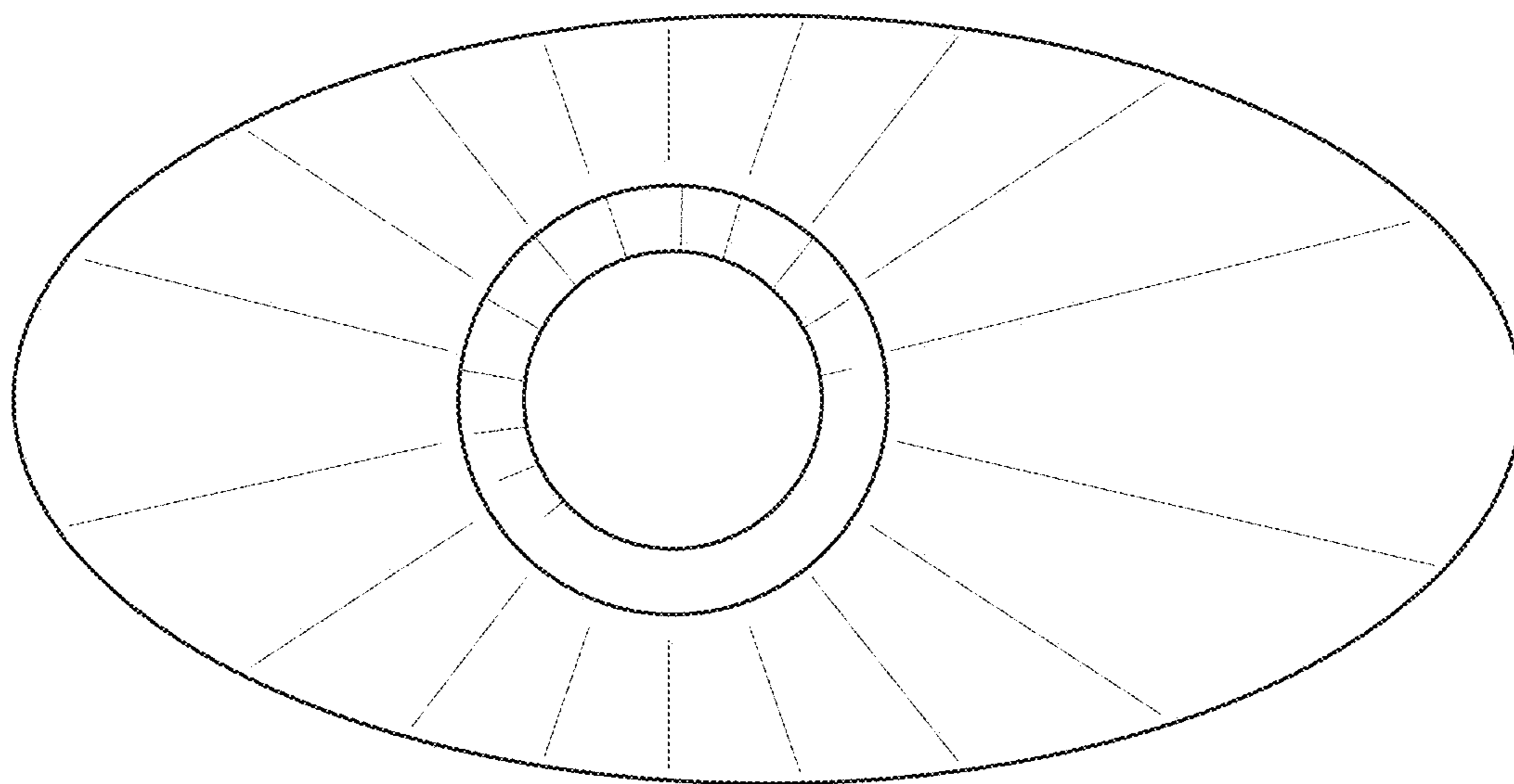


FIG. 6