



US00D977102S

(12) **United States Design Patent**  
**Limem et al.**

(10) **Patent No.:** **US D977,102 S**  
(45) **Date of Patent:** **\*\* Jan. 31, 2023**

(54) **THREE DIMENSIONAL MASTOPEXY IMPLANT**

4,863,470 A 9/1989 Carter  
4,936,858 A 6/1990 O'Keeffe  
4,960,425 A 10/1990 Yan et al.

(71) Applicant: **Tepha, Inc.**, Lexington, MA (US)

(Continued)

(72) Inventors: **Skander Limem**, Melrose, MA (US);  
**Said Rizk**, Windham, NH (US); **Simon F. Williams**, Cambridge, MA (US)

FOREIGN PATENT DOCUMENTS

CA 2829201 A1 9/2012  
EP 1940312 B1 7/2009

(Continued)

(73) Assignee: **Tepha, Inc.**, Lexington, MA (US)

(\*\*) Term: **15 Years**

OTHER PUBLICATIONS

(21) Appl. No.: **29/798,823**

O'Shaughnessy, Evolution and update on current devices for prosthetic breast reconstruction. *Gland Surg.* Apr. 2015; 4(2):97-110.

(22) Filed: **Jul. 10, 2021**

*Primary Examiner* — Charles D Hanson

**Related U.S. Application Data**

(74) *Attorney, Agent, or Firm* — Wolf, Greenfield & Sacks, P.C.

(62) Division of application No. 29/736,864, filed on Jun. 3, 2020, now Pat. No. Des. 927,690, which is a division of application No. 29/655,439, filed on Jul. 3, 2018, now Pat. No. Des. 892,329.

(57) **CLAIM**

The ornamental design for a three dimensional mastopexy implant, as shown and described.

(51) **LOC (14) Cl.** ..... **24-03**

**DESCRIPTION**

(52) **U.S. Cl.**  
USPC ..... **D24/155**

(58) **Field of Classification Search**  
USPC ..... D24/155  
CPC ..... A61F 2/12  
See application file for complete search history.

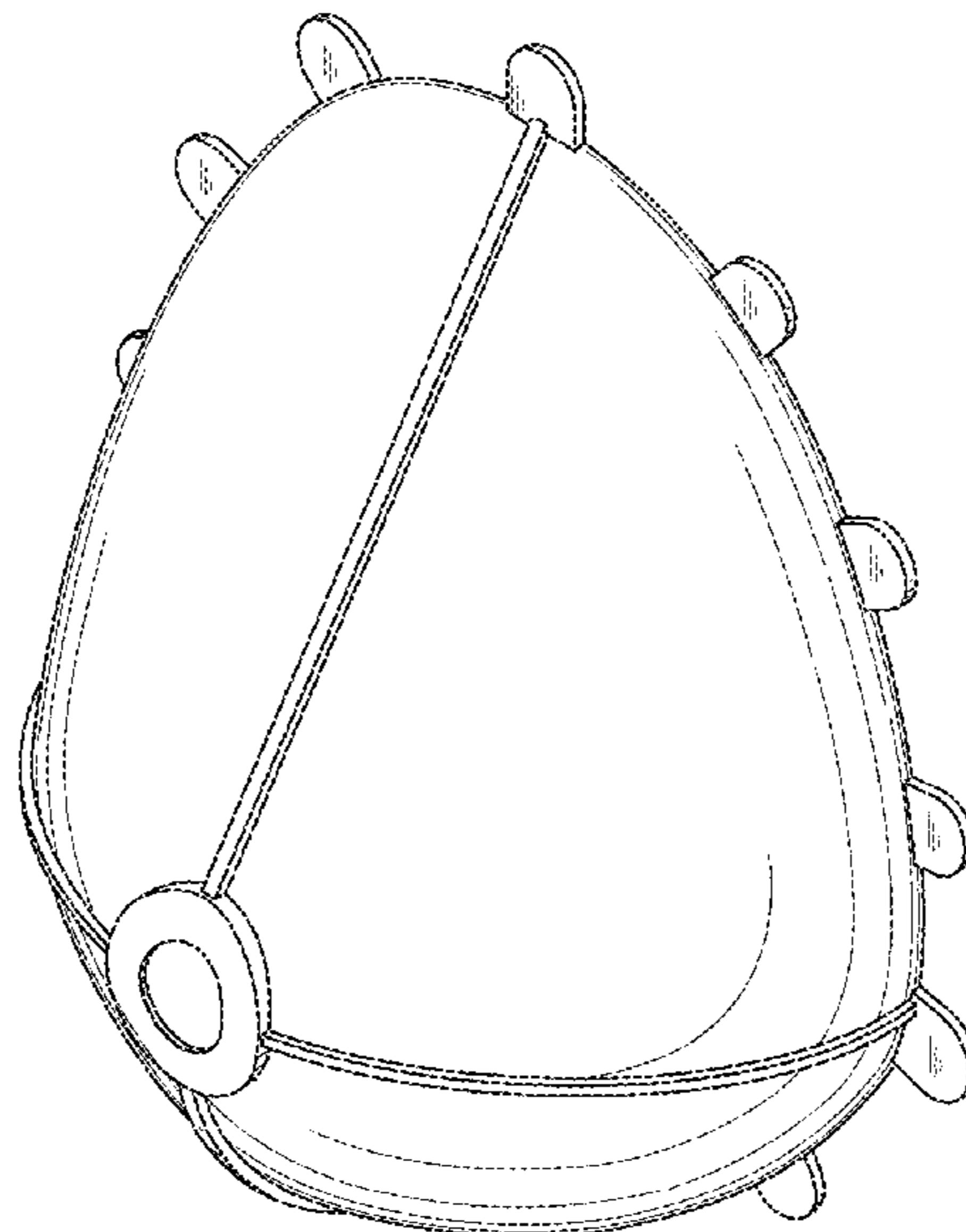
FIG. 1 is a top, front, side perspective view of a three dimensional mastopexy implant showing our new design; FIG. 2 is a front view of the three dimensional mastopexy implant shown in FIG. 1; FIG. 3 is a rear view of the three dimensional mastopexy implant shown in FIG. 1; FIG. 4 is a first side view of the three dimensional mastopexy implant shown in FIG. 1; FIG. 5 is a second side view of the three dimensional mastopexy implant shown in FIG. 1; FIG. 6 is a top view of the three dimensional mastopexy implant shown in FIG. 1; and, FIG. 7 is a bottom view of the three dimensional mastopexy implant shown in FIG. 1.

(56) **References Cited**

U.S. PATENT DOCUMENTS

2,701,879 A 2/1955 Bennett  
3,280,818 A 10/1966 Pankey et al.  
3,293,663 A 12/1966 Cronin  
3,934,593 A 1/1976 Mellinger  
4,372,293 A 2/1983 Vijil-Rosales  
4,380,569 A 4/1983 Shaw  
4,388,735 A 6/1983 Ionescu et al.  
4,773,909 A 9/1988 Chaglassian  
4,801,299 A 1/1989 Brendel et al.

**1 Claim, 7 Drawing Sheets**





(56)

References Cited

U.S. PATENT DOCUMENTS

2014/0222146 A1 8/2014 Moses et al.  
 2014/0222161 A1 8/2014 Mathisen  
 2014/0257482 A1 9/2014 Ward et al.  
 2014/0276993 A1 9/2014 Reilly et al.  
 2014/0276997 A1 9/2014 Harrah et al.  
 2015/0012089 A1 1/2015 Shetty et al.  
 2015/0018946 A1 1/2015 Guterman  
 2015/0056131 A1 2/2015 Bernasconi et al.  
 2015/0081000 A1 3/2015 Hossainy et al.  
 2015/0112434 A1 4/2015 Felix et al.  
 2015/0134043 A1 5/2015 Irwin et al.  
 2015/0223928 A1 8/2015 Limem et al.  
 2015/0351889 A1 12/2015 Reddy et al.  
 2015/0351891 A1 12/2015 Moses et al.  
 2015/0351899 A1 12/2015 Mortarino  
 2015/0351900 A1 12/2015 Glicksman  
 2016/0022416 A1 1/2016 Felix et al.  
 2016/0038269 A1 2/2016 Altman et al.  
 2016/0106538 A1 4/2016 Mitra et al.  
 2016/0151062 A1 6/2016 Bachrach  
 2016/0151138 A1 6/2016 Guterman et al.  
 2016/0166727 A1 6/2016 Ganatra et al.  
 2016/0256268 A1 9/2016 Dakin  
 2016/0296329 A1 10/2016 Alkhatib et al.  
 2016/0310262 A1 10/2016 Doucet et al.  
 2017/0014226 A1 1/2017 Fenaroli  
 2017/0065403 A1 3/2017 Al-Jasim  
 2017/0143475 A1 5/2017 Moses et al.  
 2017/0196672 A1 7/2017 Guterman  
 2017/0216009 A1 8/2017 Felix et al.  
 2017/0216018 A1 8/2017 Limem et al.  
 2017/0224471 A1 8/2017 Rehnke  
 2018/0055624 A1 3/2018 Barere et al.  
 2018/0303599 A1 10/2018 Al-Jasim  
 2018/0325644 A1 11/2018 Felix et al.  
 2019/0216595 A1 7/2019 Moses et al.

2019/0247180 A1 8/2019 Limem et al.  
 2019/0254807 A1 8/2019 Limem et al.  
 2020/0100892 A1 4/2020 Limem et al.  
 2020/0261202 A1 8/2020 Mathisen et al.  
 2020/0276006 A1 9/2020 Felix et al.  
 2020/0360129 A1 11/2020 Moses et al.  
 2020/0397554 A1 12/2020 Epps et al.  
 2020/0405473 A1 12/2020 Nanni  
 2021/0069374 A1 3/2021 Brennan et al.  
 2021/0153997 A1 5/2021 Limem et al.

FOREIGN PATENT DOCUMENTS

EP 2903563 A1 8/2015  
 EP 2903563 B1 11/2017  
 EP 2190382 B1 10/2018  
 JP 2004-130118 A 4/2004  
 JP 4296399 B2 7/2009  
 WO WO 2004/096098 A1 11/2004  
 WO WO 2006/117622 A1 11/2006  
 WO WO 2007/004214 A3 1/2007  
 WO WO 2009/001293 A1 12/2008  
 WO WO 2009/050706 A2 4/2009  
 WO WO 2011/119742 A2 9/2011  
 WO WO 2012/012215 A2 1/2012  
 WO WO 2012/122215 A2 9/2012  
 WO WO 2014/041577 A1 3/2014  
 WO WO 2015/006737 A1 1/2015  
 WO WO 2019/094861 A1 5/2019  
 WO WO 2019/119060 A1 6/2019  
 WO WO 2019/175911 A2 9/2019  
 WO WO 2020/070694 A1 4/2020  
 WO WO 2020/072349 A1 4/2020  
 WO WO 2020/242694 A1 12/2020  
 WO WO 2021/015976 A1 1/2021  
 WO WO 2021/024284 A1 2/2021  
 WO WO 2021/063850 A1 4/2021  
 WO WO 2021/063851 A1 4/2021

\* cited by examiner

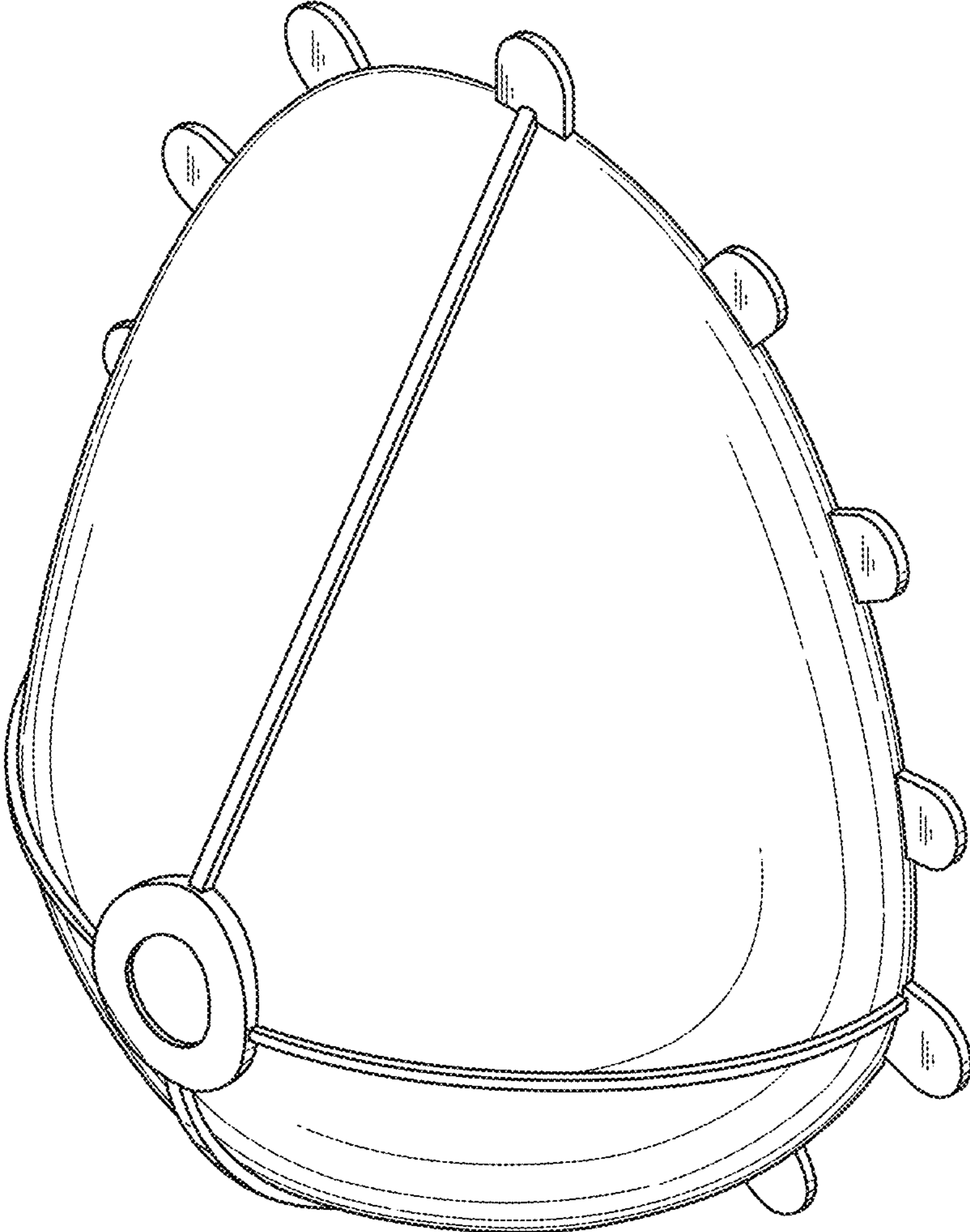


Figure 1

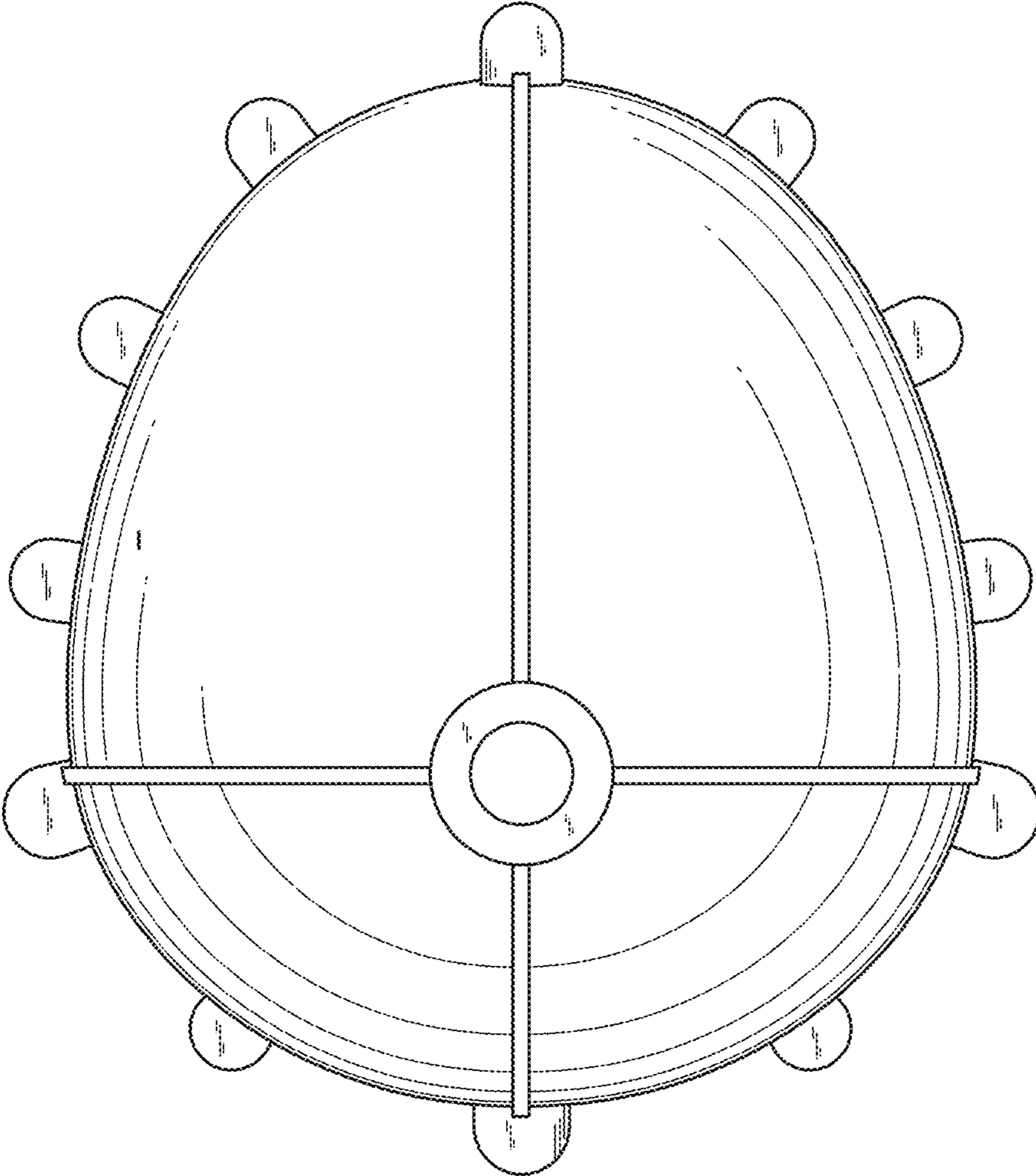


Figure 2

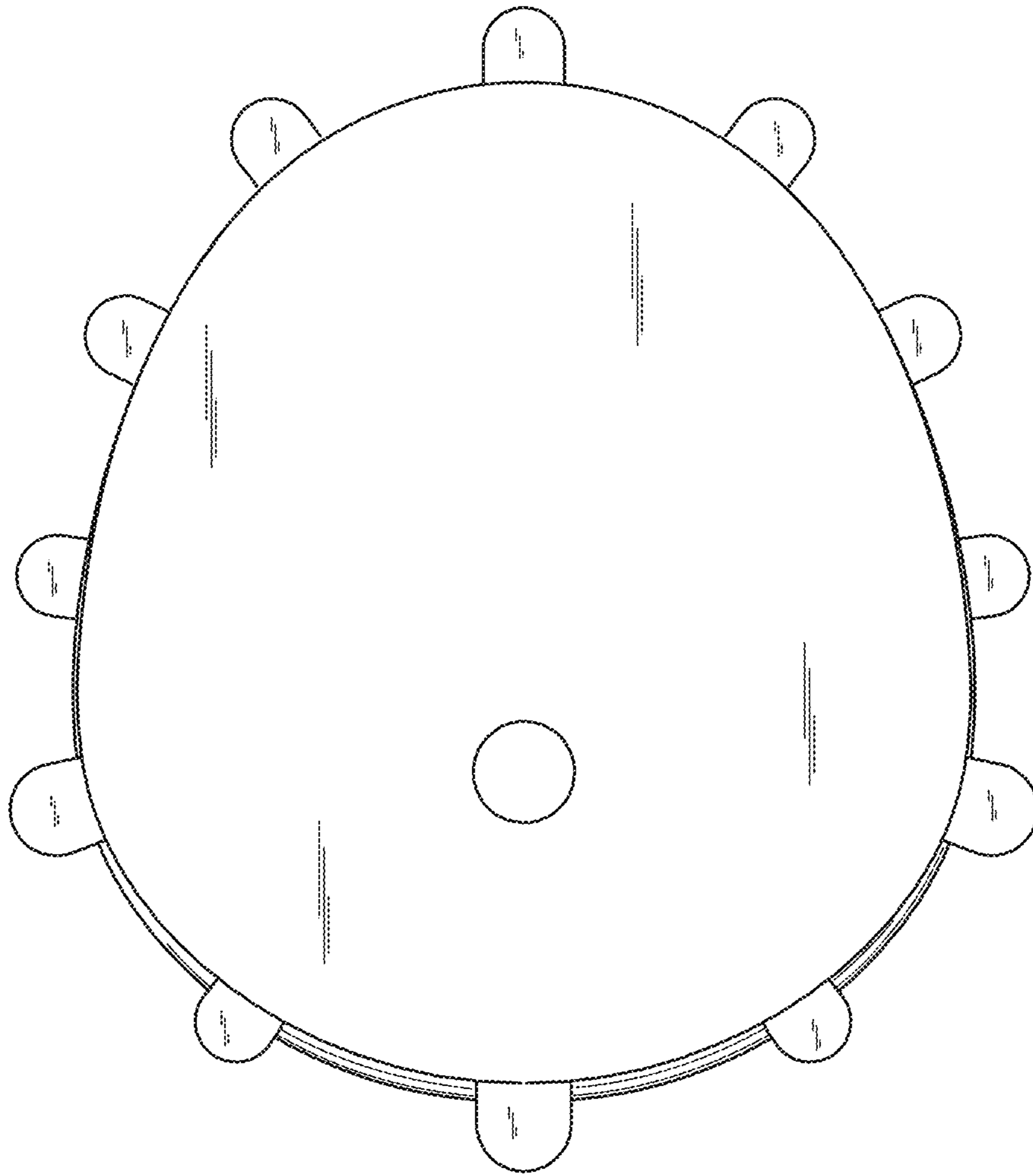


Figure 3

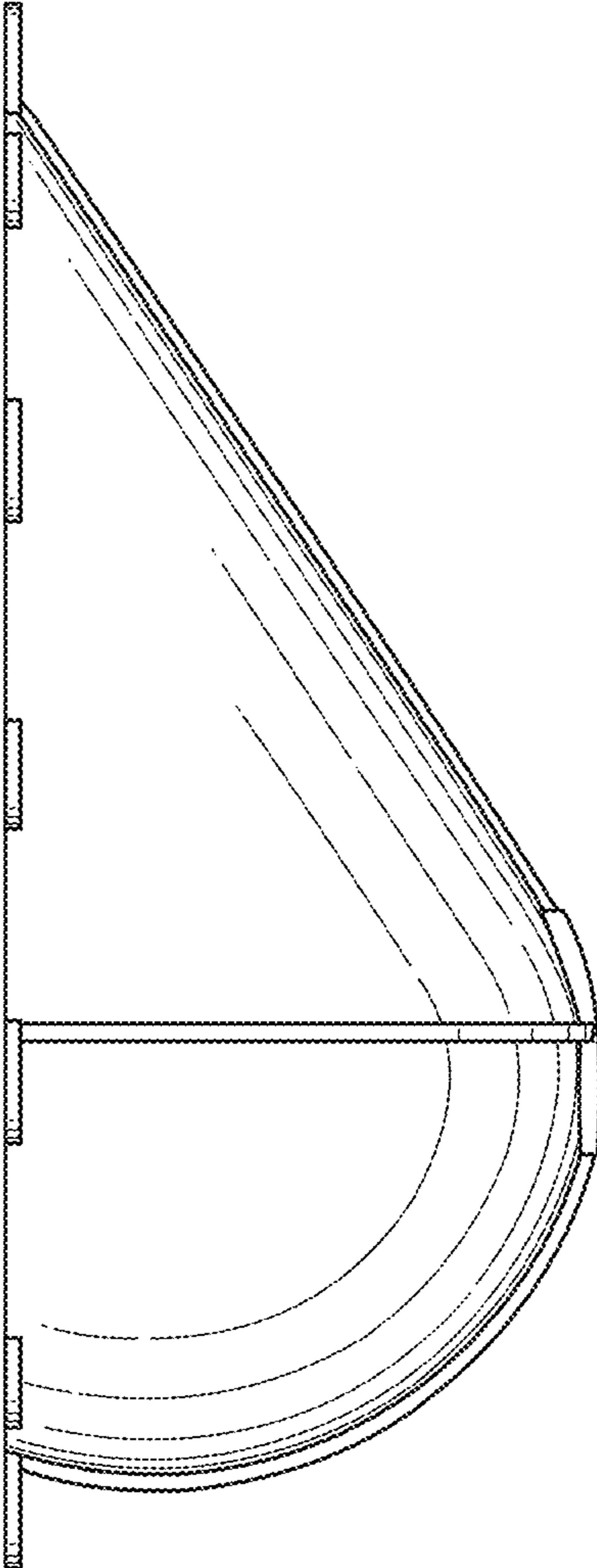


Figure 4

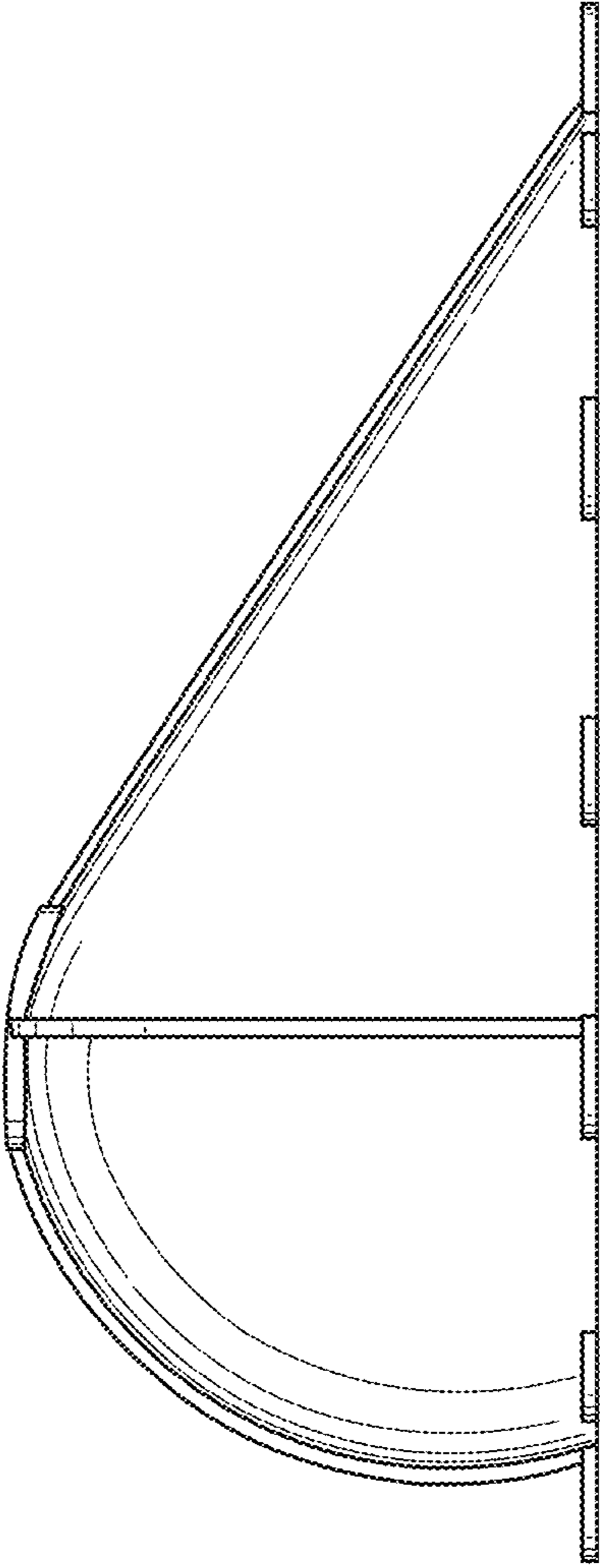


Figure 5



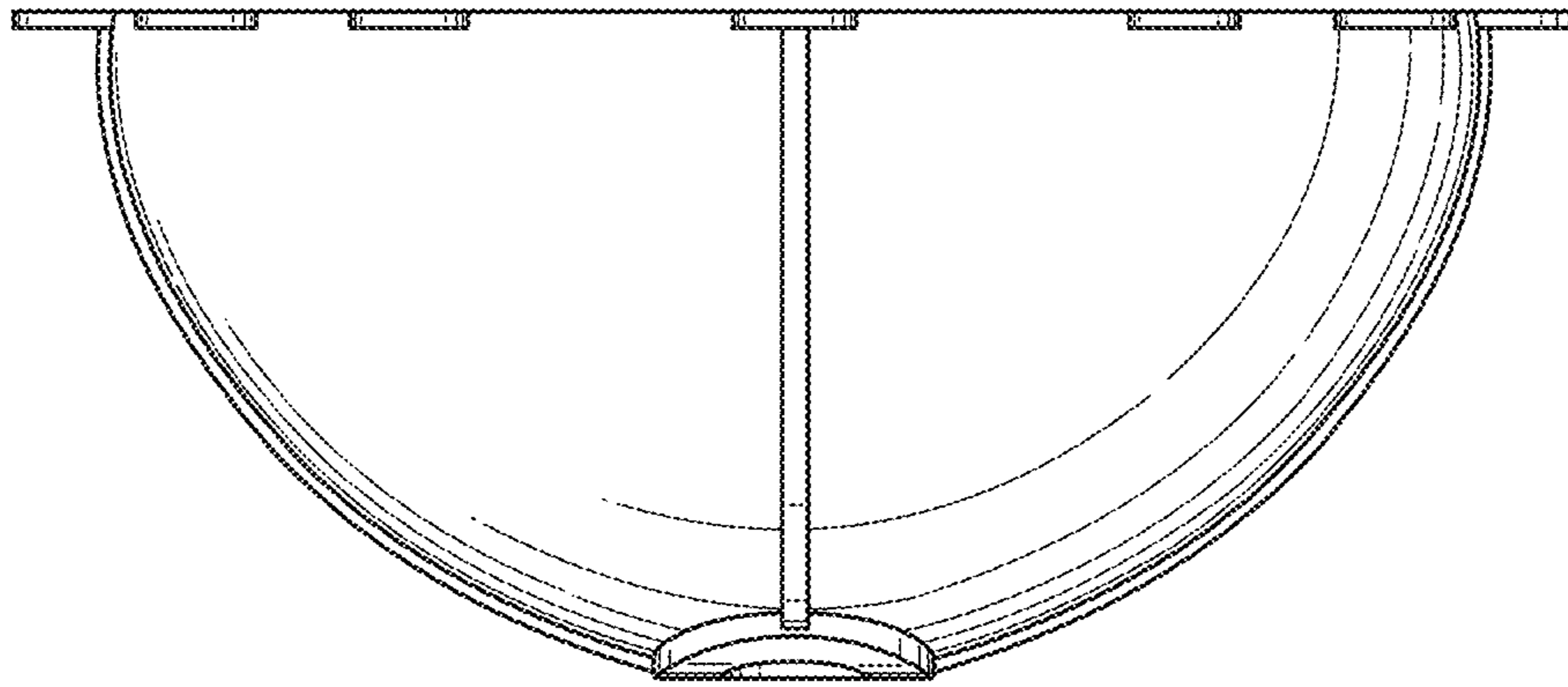


Figure 6

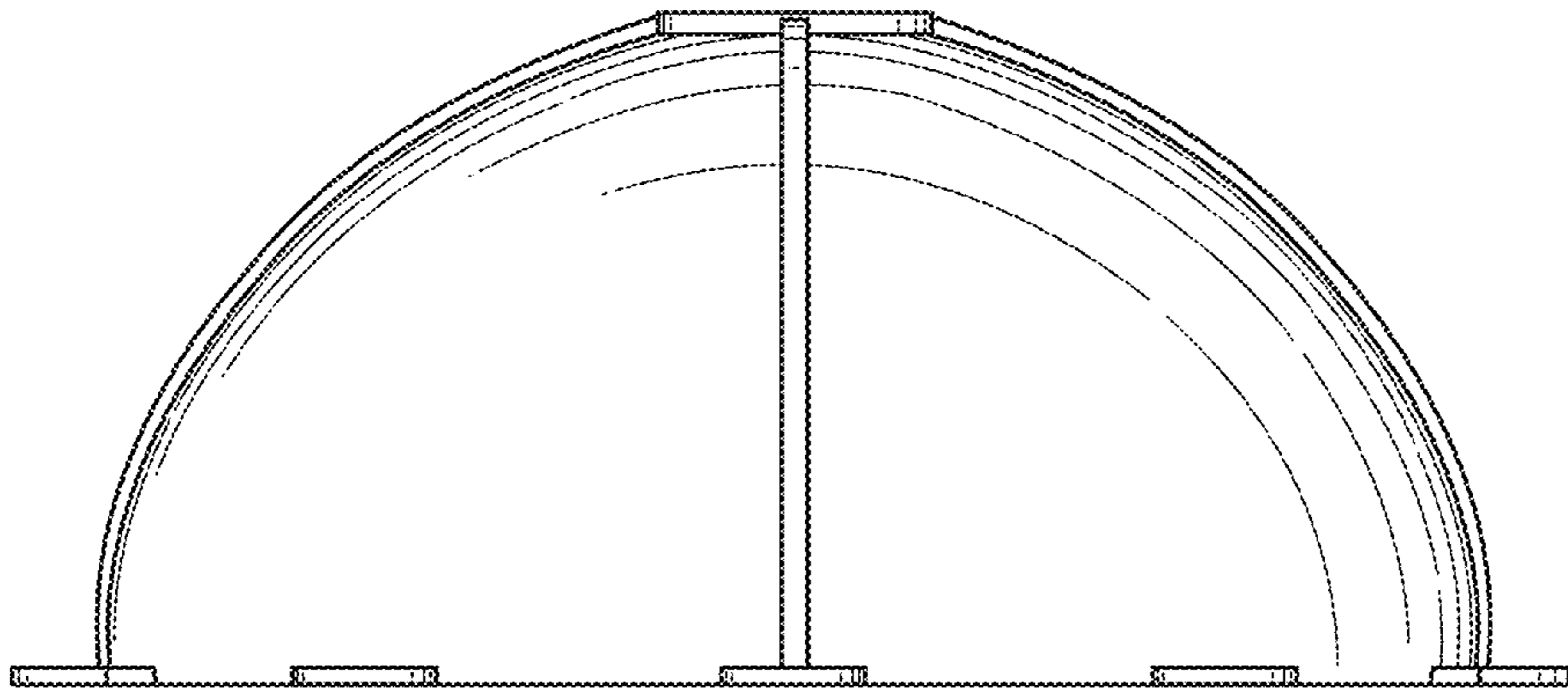


Figure 7