



US00D977099S

(12) **United States Design Patent**
Julian et al.

(10) **Patent No.:** **US D977,099 S**

(45) **Date of Patent:** **** Jan. 31, 2023**

(54) **CYSTOSCOPE SYSTEM**

(71) Applicant: **KARL STORZ Endovision, Inc.**,
Charlton, MA (US)

(72) Inventors: **Richard Julian**, Warren, MA (US);
Justin Runyon, Spencer, MA (US);
Michael Brown, Westborough, MA (US)

(73) Assignee: **KARL STORZ Endovision, Inc.**,
Charlton, MA (US)

(**) Term: **15 Years**

(21) Appl. No.: **29/696,446**

(22) Filed: **Jun. 27, 2019**

(51) **LOC (14) Cl.** **24-02**

(52) **U.S. Cl.**
USPC **D24/138**

(58) **Field of Classification Search**
USPC D24/137, 138, 133, 160, 134, 150, 151,
D24/172, 173
CPC A61B 1/307; A61F 2/9517
See application file for complete search history.

(56) **References Cited**

U.S. PATENT DOCUMENTS

D871,574 S * 12/2019 Lohk D24/138
D871,575 S * 12/2019 Lohk D24/138

D871,576 S * 12/2019 Lohk D24/138
D882,081 S * 4/2020 Sun D24/137
D884,168 S * 5/2020 Lohk D24/138
D886,999 S * 6/2020 Lohk D24/138

* cited by examiner

Primary Examiner — Eliza Z Harvey

(74) *Attorney, Agent, or Firm* — David Noel Villalpando;
Martin R. Geissler

(57) **CLAIM**

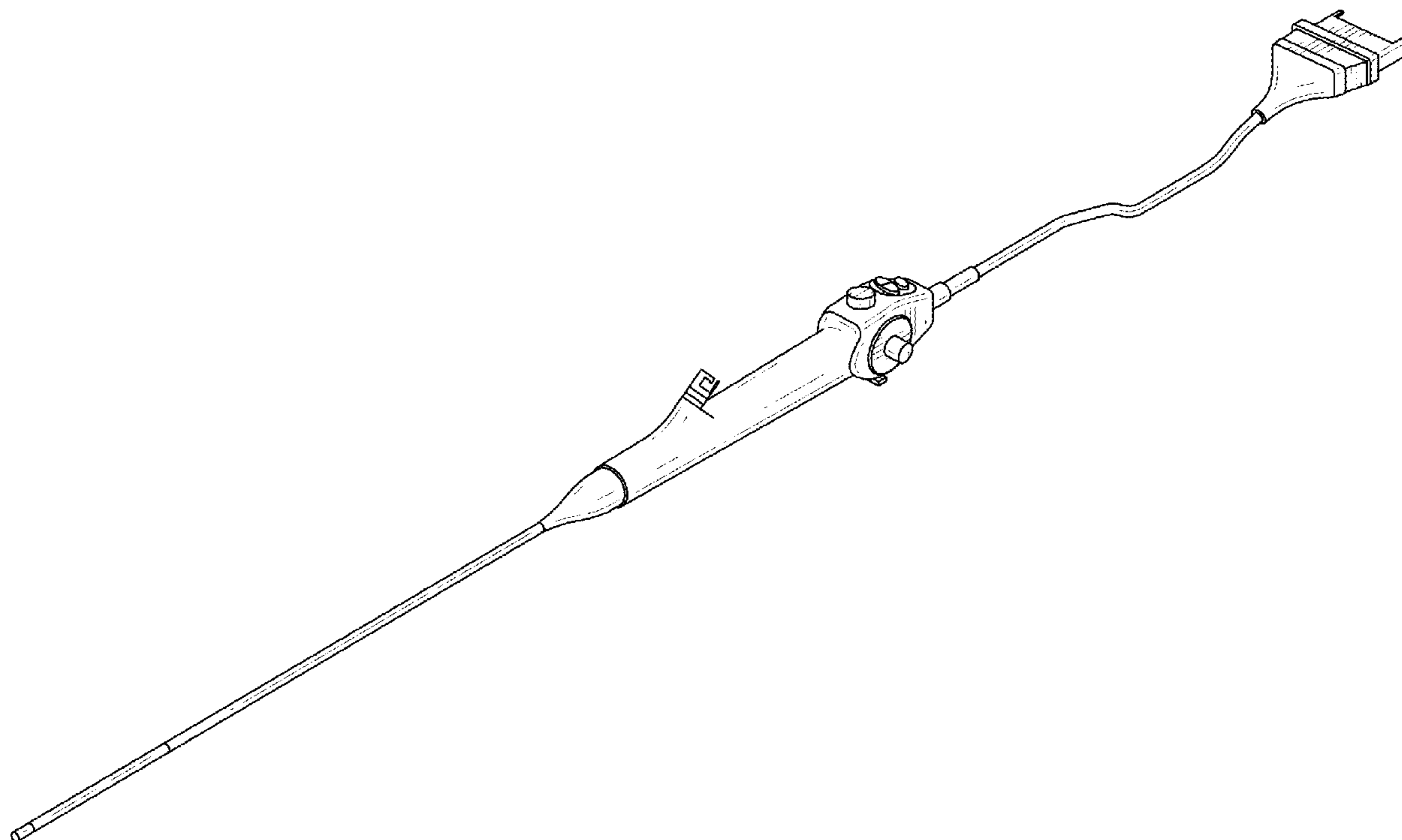
The ornamental design for a cystoscope system, as shown and described.

DESCRIPTION

FIG. 1 is a front perspective view of a cystoscope system in accordance with the new design;
FIG. 2 is a front view thereof;
FIG. 3 is a rear view thereof;
FIG. 4 is a right side view thereof;
FIG. 5 is a left side view thereof;
FIG. 6 is a top view thereof; and,
FIG. 7 is a bottom view thereof.

The broken lines depict portions of the cystoscope system that form no part of the claimed design.

1 Claim, 7 Drawing Sheets



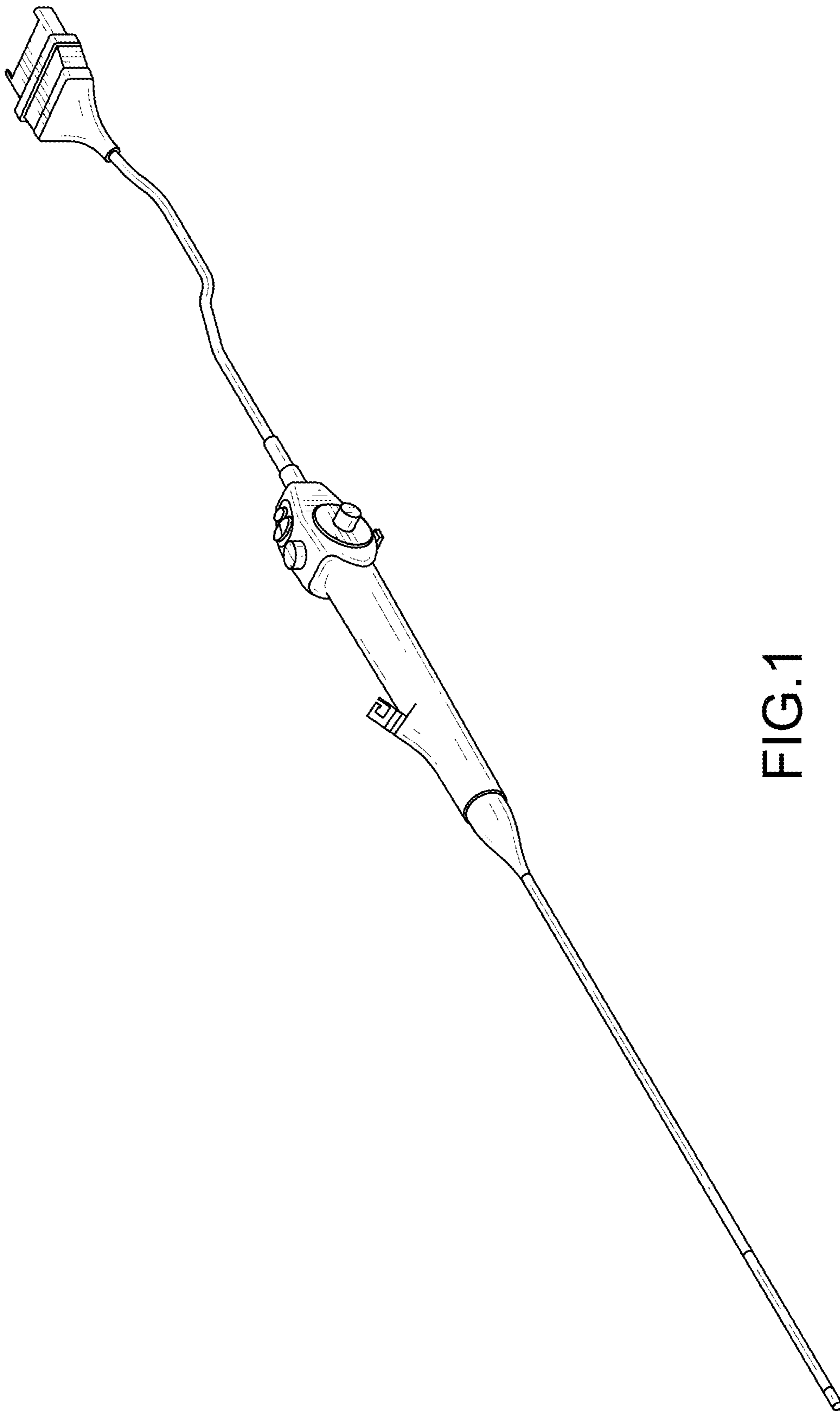


FIG.1

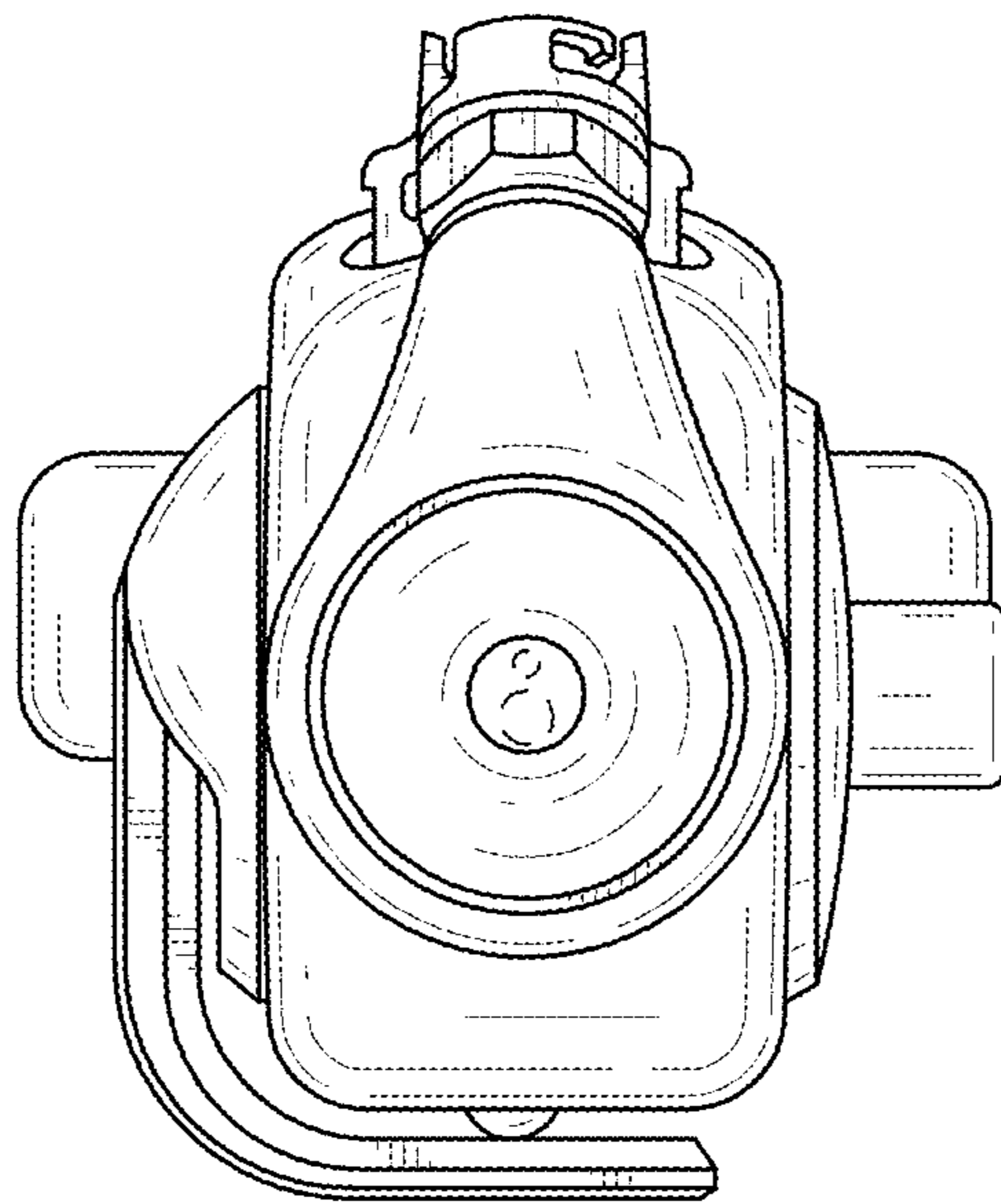


FIG.2

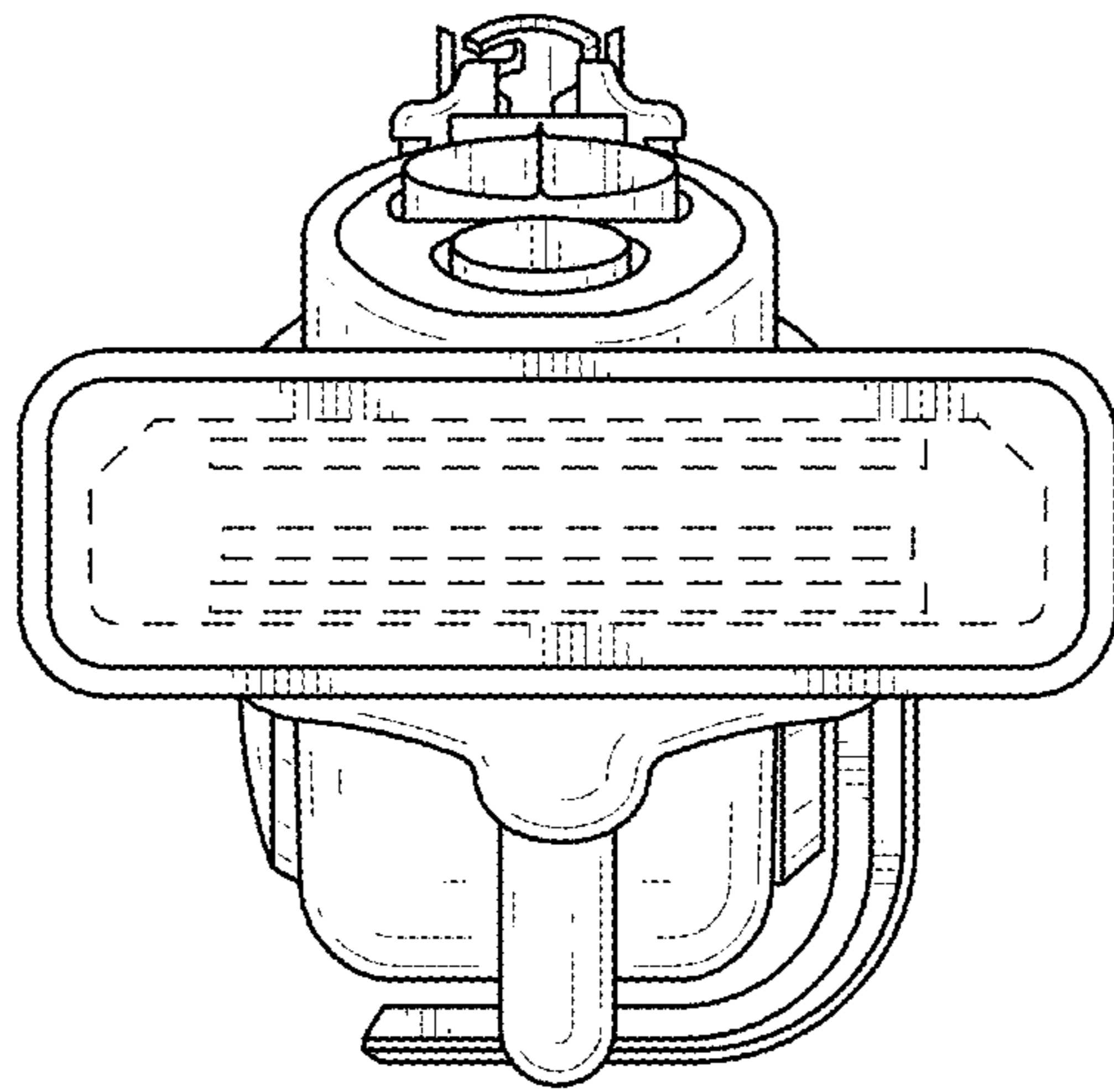


FIG.3

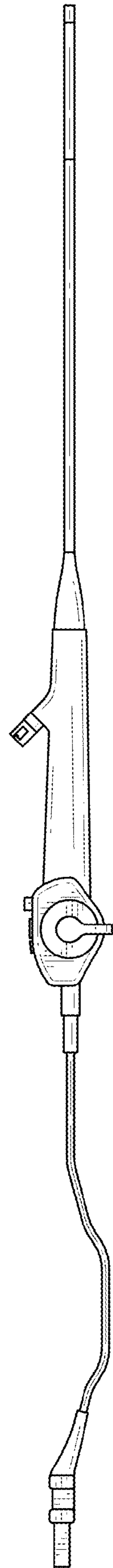


FIG.4

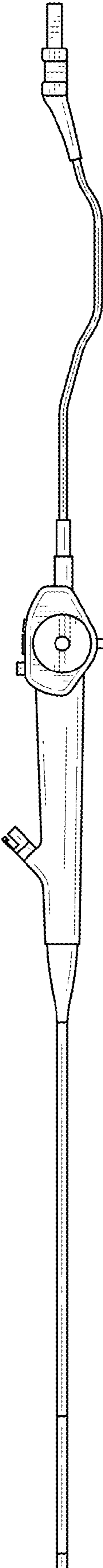


FIG.5

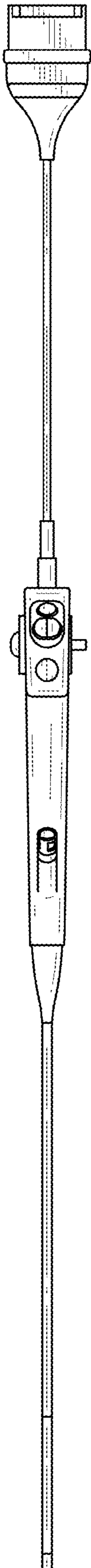


FIG.6

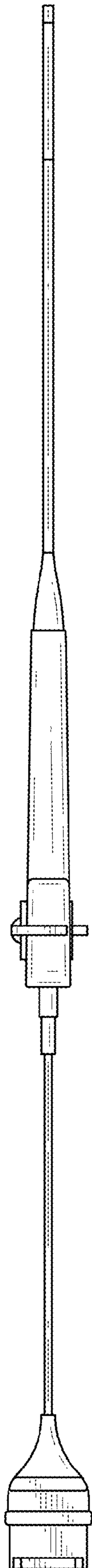


FIG.7