



US00D977098S

(12) **United States Design Patent**  
**Kovacs**

(10) **Patent No.:** **US D977,098 S**

(45) **Date of Patent:** **\*\* Jan. 31, 2023**

(54) **SURGICAL SUPPORT BAR**

(71) Applicant: **INNOVATIVE MEDICAL PRODUCTS, INC.**, Plainville, CT (US)

(72) Inventor: **Tamas Kovacs**, Burlington, CT (US)

(73) Assignee: **INNOVATIVE MEDICAL PRODUCTS, INC.**, Plainville, CT (US)

(\*\*) Term: **15 Years**

(21) Appl. No.: **29/799,660**

(22) Filed: **Jul. 15, 2021**

(51) **LOC (14) Cl.** ..... **24-02**

(52) **U.S. Cl.**  
USPC ..... **D24/135; D24/184**

(58) **Field of Classification Search**  
USPC ..... D24/135, 133, 155, 152, 176, 181, 156, D24/180, 143, 148, 183, 184  
CPC ..... A61B 17/8009; A61B 17/8014; A61B 2017/564; A61B 2017/681; A61B 17/0206; A61B 2017/00473; A61B 2017/2837; A61B 2090/0813  
See application file for complete search history.

(56) **References Cited**

**U.S. PATENT DOCUMENTS**

D266,871 S *	11/1982	Child	.....	D24/135
D284,510 S *	7/1986	Pratt	.....	D24/135
D303,288 S *	9/1989	Harboe	.....	D24/111
D353,197 S *	12/1994	Hawks	.....	D24/112
D421,803 S *	3/2000	Koros	.....	D24/135
D466,212 S *	11/2002	Koros	.....	D24/135
D566,269 S *	4/2008	Koros	.....	D24/135

D755,963 S *	5/2016	Stammberger	.....	D24/135
D896,376 S *	9/2020	Yaghoobian	.....	D24/135
2021/0245354 A1 *	8/2021	Hsiao	.....	B25G 1/043

**OTHER PUBLICATIONS**

Internet Publication by Innovative Medical Products, Inc., De Mayo Ankle Distractor System, [online], [retrieved on Nov. 4, 2022]. Retrieved from Internet, <URL: <https://www.impmedical.com/view-product/surgical-distractor-ankle-arthroscopies>>.\*

\* cited by examiner

*Primary Examiner* — Bridget L Eland

(74) *Attorney, Agent, or Firm* — Wasserbauer Law LLC; Damian Wasserbauer; Nicholas E. Blanton

(57) **CLAIM**

The ornamental design for a surgical support bar, as shown and described.

**DESCRIPTION**

FIG. 1 is a front, top, left side perspective view of the surgical support bar in accordance with the present invention;

FIG. 2 is a front, bottom, left side perspective view thereof, FIG. 3 is a front view thereof, wherein the rear view is a mirror image thereof,

FIG. 4 is a top view thereof;

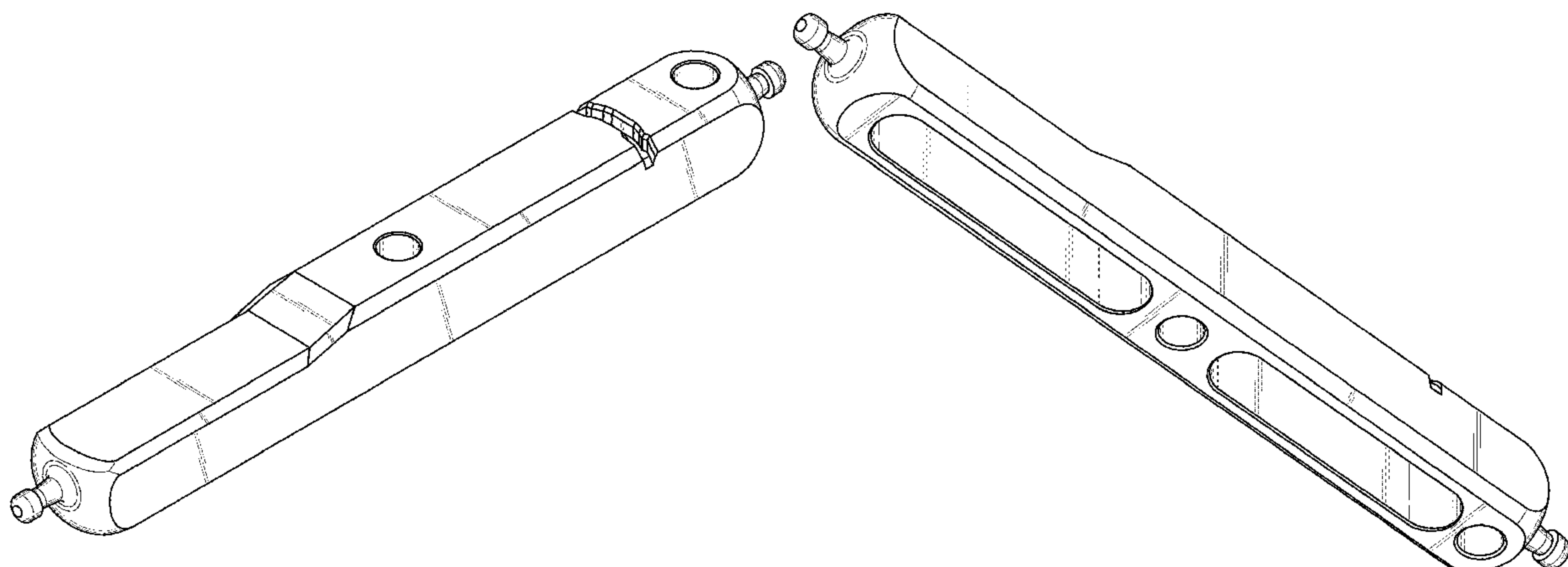
FIG. 5 is a bottom view thereof;

FIG. 6 is a right side view thereof; and,

FIG. 7 is a left side view thereof.

The broken lines in the drawings show portions of the surgical support bar that form no part of the claimed design. In addition, the unshaded surfaces within the four circles and two obround shapes form no part of the claimed design.

**1 Claim, 6 Drawing Sheets**



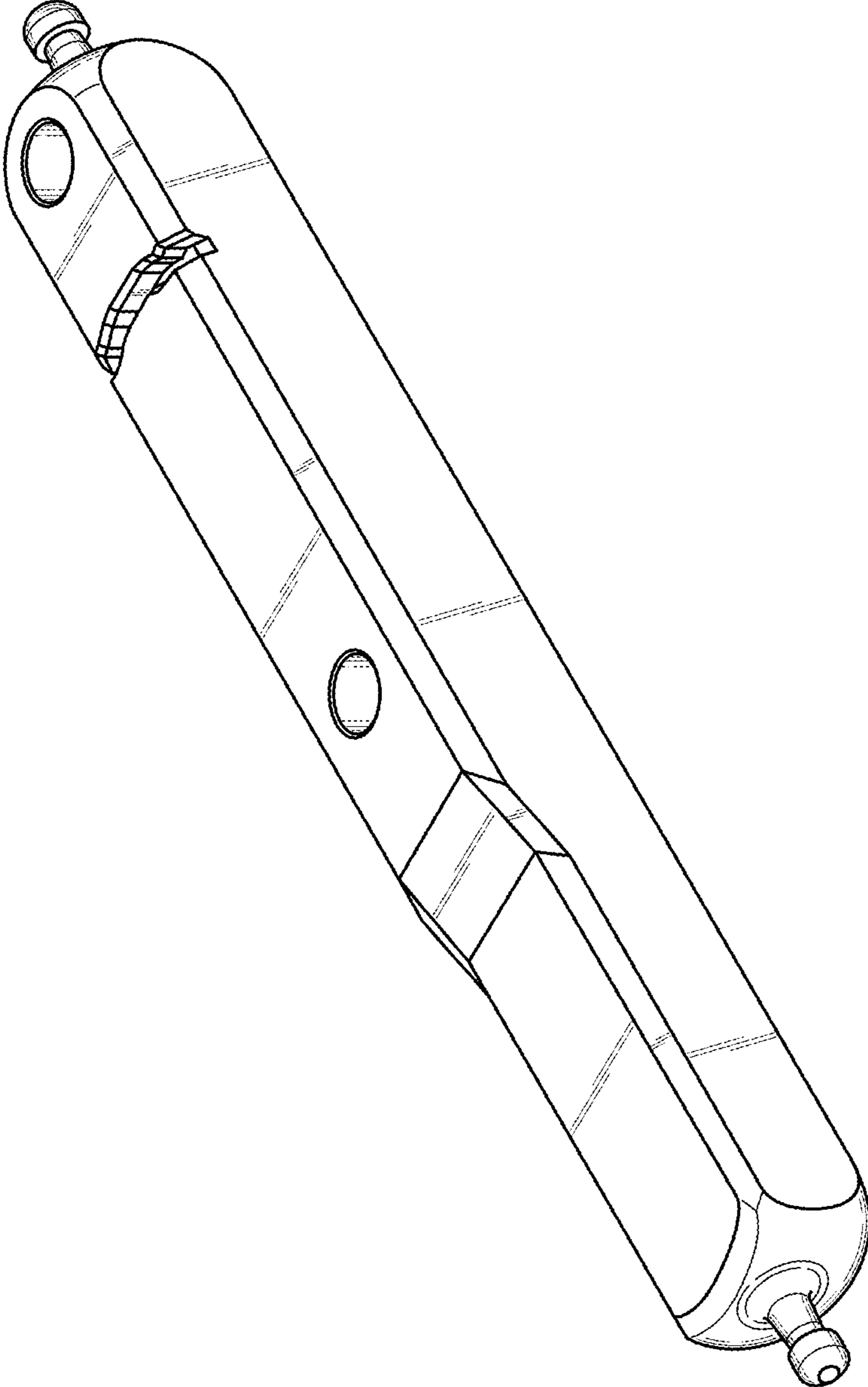


FIG. 1

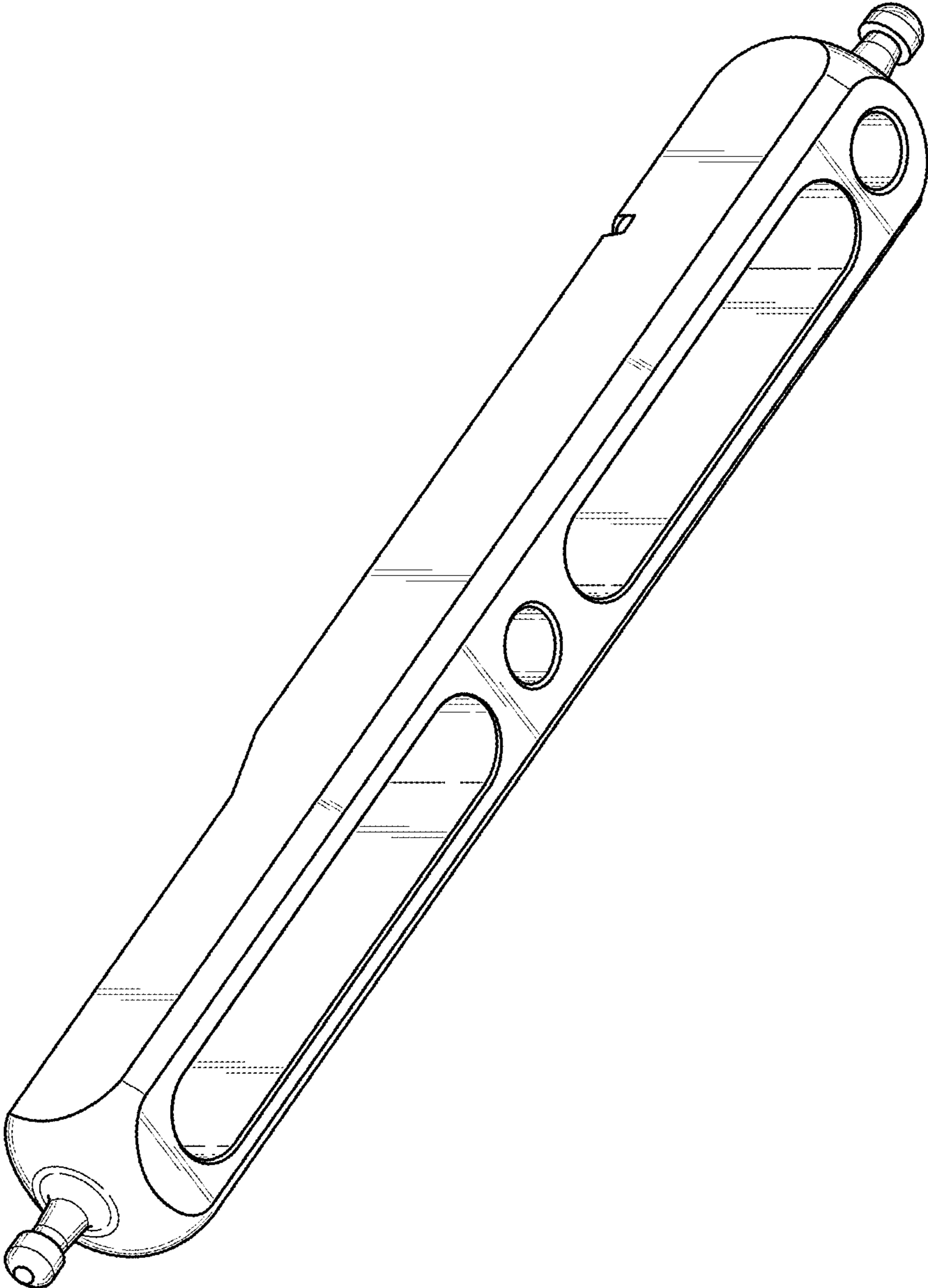


FIG. 2

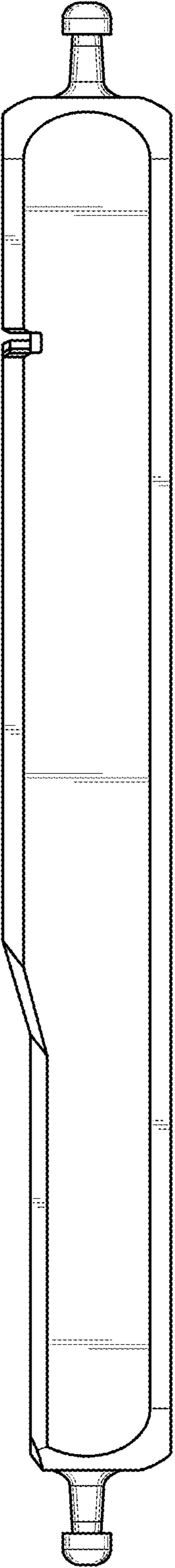


FIG. 3

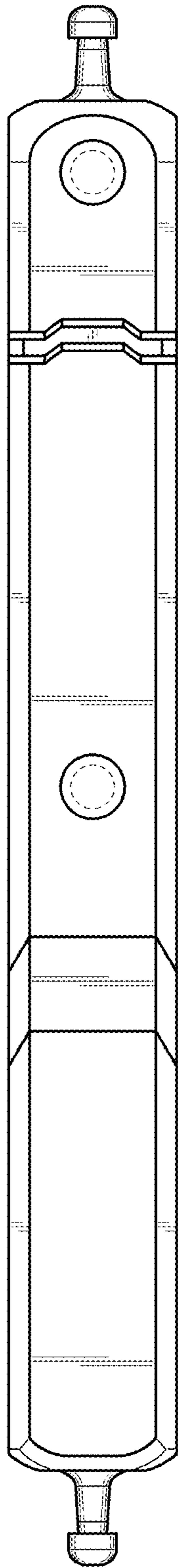


FIG. 4

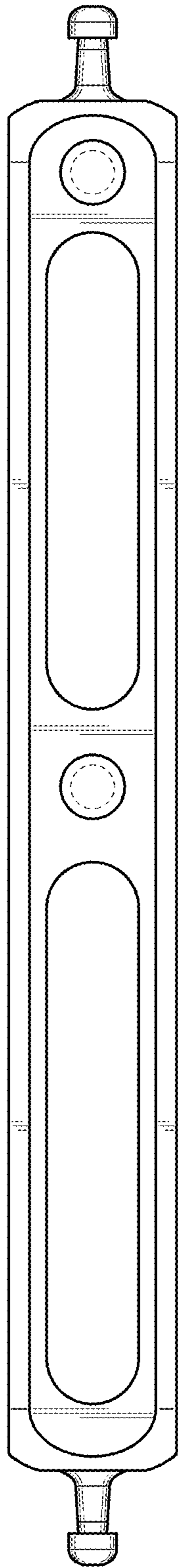


FIG. 5

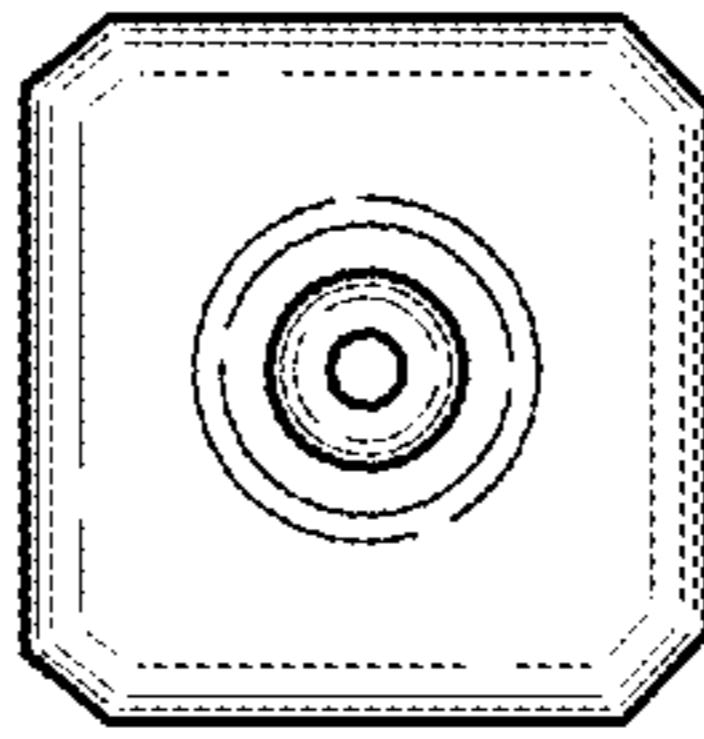


FIG. 6

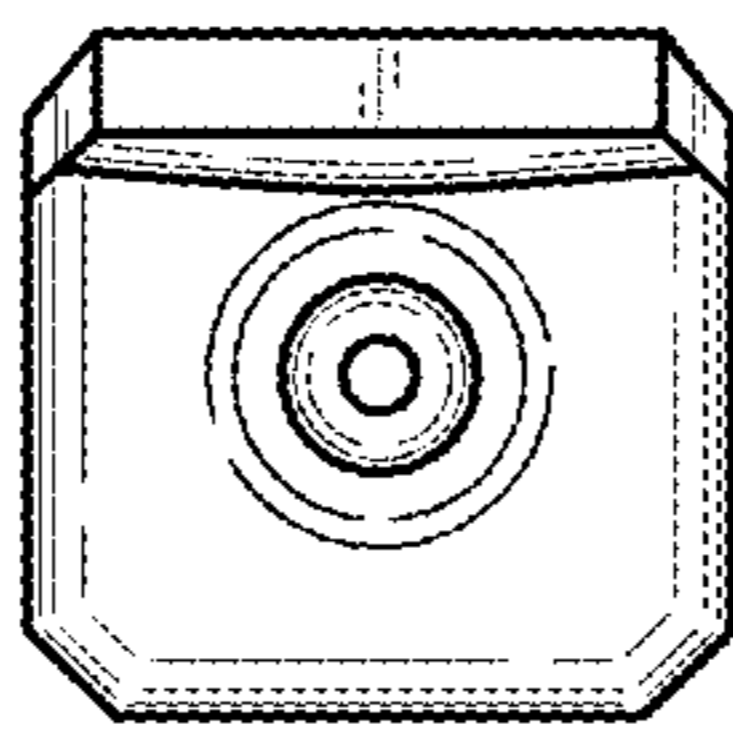


FIG. 7