



US00D977097S

(12) **United States Design Patent**  
**Kovacs**

(10) **Patent No.:** **US D977,097 S**

(45) **Date of Patent:** **\*\* Jan. 31, 2023**

- (54) **SURGICAL DISTRACTOR PAD**
- (71) Applicant: **INNOVATIVE MEDICAL PRODUCTS, INC.**, Plainville, CT (US)
- (72) Inventor: **Tamas Kovacs**, Burlington, CT (US)
- (73) Assignee: **INNOVATIVE MEDICAL PRODUCTS, INC.**, Plainville, CT (US)
- (\*\*) Term: **15 Years**
- (21) Appl. No.: **29/799,453**
- (22) Filed: **Jul. 14, 2021**
- (51) **LOC (14) Cl.** ..... **24-02**
- (52) **U.S. Cl.**  
USPC ..... **D24/135; D24/184**
- (58) **Field of Classification Search**  
USPC ..... D24/135, 133, 155, 152, 176, 181, 156, D24/180, 143, 148, 183, 184  
CPC ..... A61B 17/8009; A61B 17/8014; A61B 2017/564; A61B 2017/681; A61B 17/0206; A61B 2017/00473; A61B 2017/2837; A61B 2090/0813  
See application file for complete search history.

D566,269 S *	4/2008	Koros	.....	D24/135
D621,936 S *	8/2010	Gillis	.....	D24/135
D819,205 S *	5/2018	Snyder	.....	D24/135
D868,248 S *	11/2019	Snyder	.....	D24/135
D896,376 S *	9/2020	Yaghoobian	.....	D24/135

**OTHER PUBLICATIONS**

Internet Publication by Innovative Medical Products, Inc., De Mayo Ankle Distractor System, [online], [retrieved on Nov. 4, 2022]. Retrieved from Internet, <URL: <https://www.impmedical.com/view-product/surgical-distractor-ankle-arthroscopies>>.\*

\* cited by examiner

*Primary Examiner* — Bridget L Eland

(74) *Attorney, Agent, or Firm* — Wasserbauer Law LLC; Damian Wasserbauer; Nicholas E. Blanton

(57) **CLAIM**

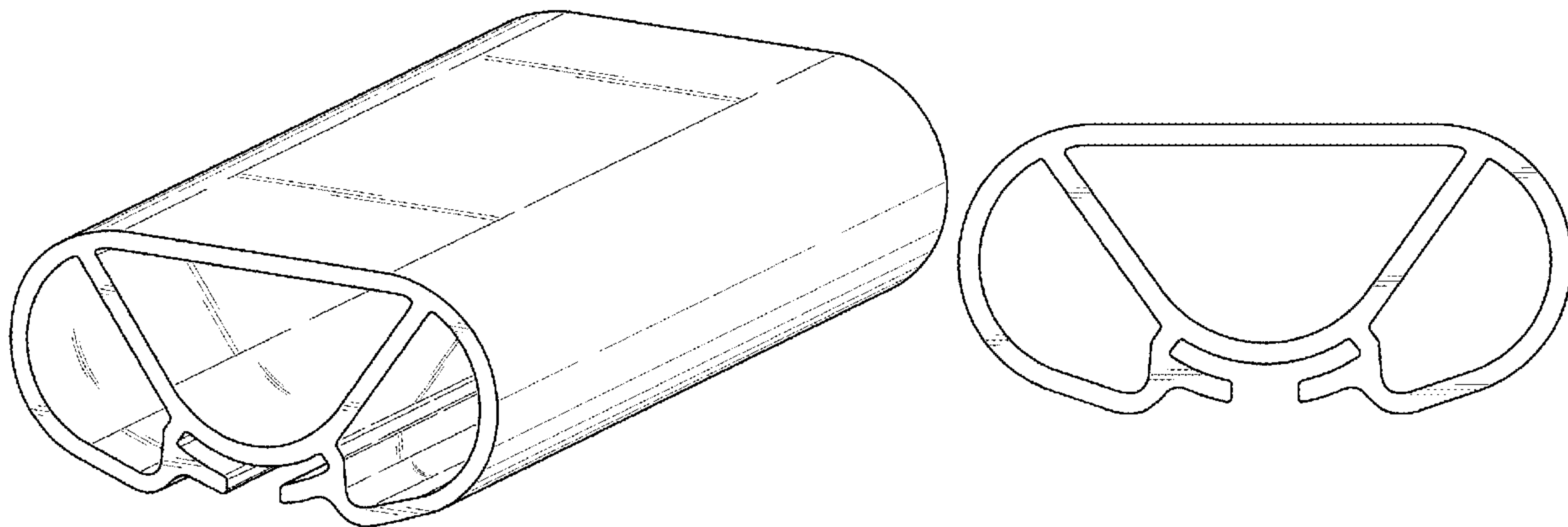
The ornamental design for a surgical distractor pad, as shown and described.

**DESCRIPTION**

FIG. 1 is a front, top, right side perspective view of the surgical distractor pad in accordance with the present invention;  
FIG. 2 is a front, bottom, left side perspective view thereof,  
FIG. 3 is a front view thereof, wherein the rear view is a mirror image thereof,  
FIG. 4 is a top view thereof;  
FIG. 5 is a bottom view thereof; and,  
FIG. 6 is a right side view thereof, wherein the left side view is a mirror image thereof.

**1 Claim, 6 Drawing Sheets**

- (56) **References Cited**  
U.S. PATENT DOCUMENTS  
D421,803 S \* 3/2000 Koros ..... D24/135  
D455,831 S \* 4/2002 Koros ..... F16M 13/022  
D24/128  
D466,212 S \* 11/2002 Koros ..... D24/135  
D526,410 S \* 8/2006 Phillips ..... D24/135  
D537,939 S \* 3/2007 Phillips ..... D24/135  
D551,763 S \* 9/2007 Phillips ..... D24/135



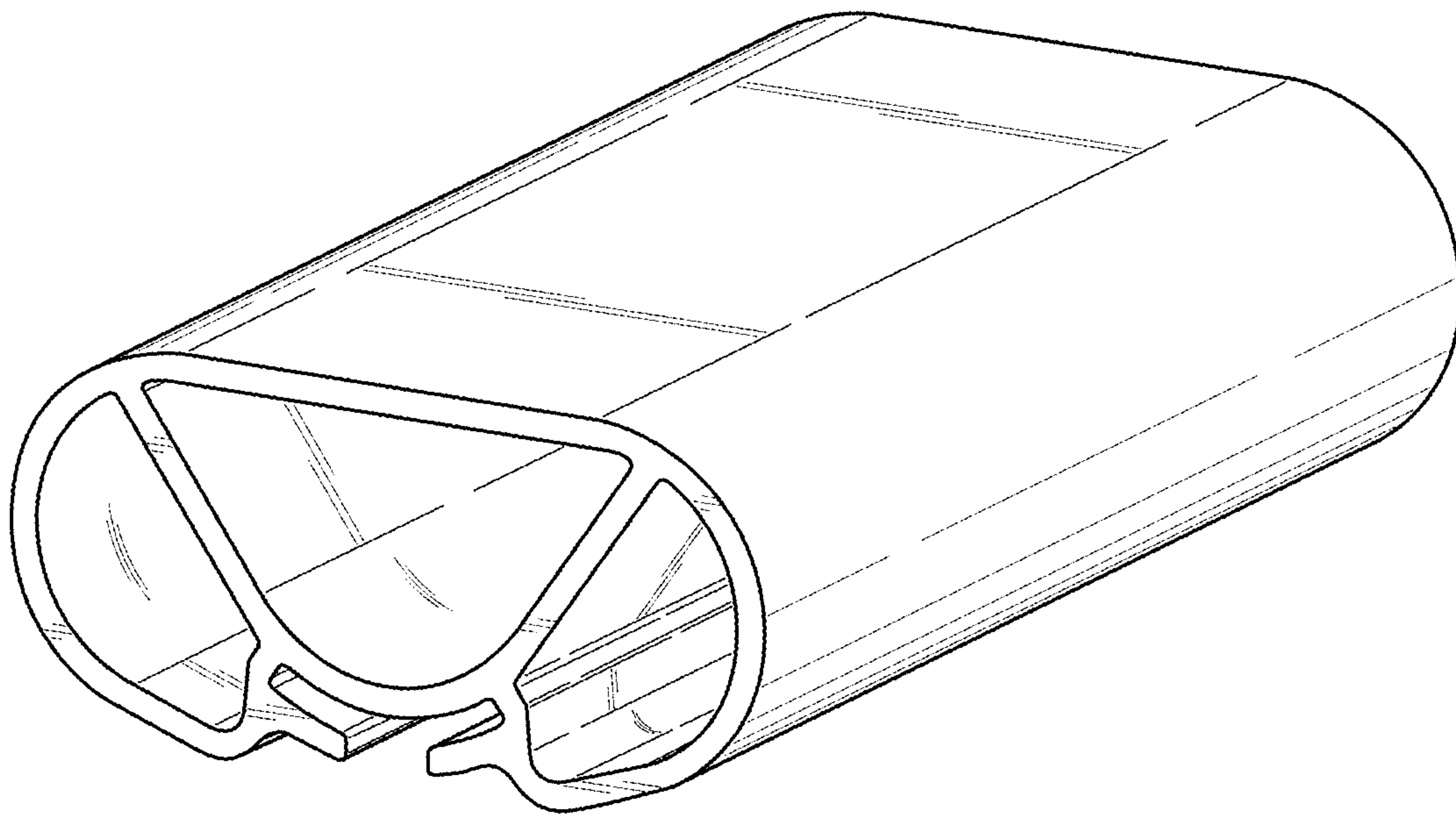


FIG. 1

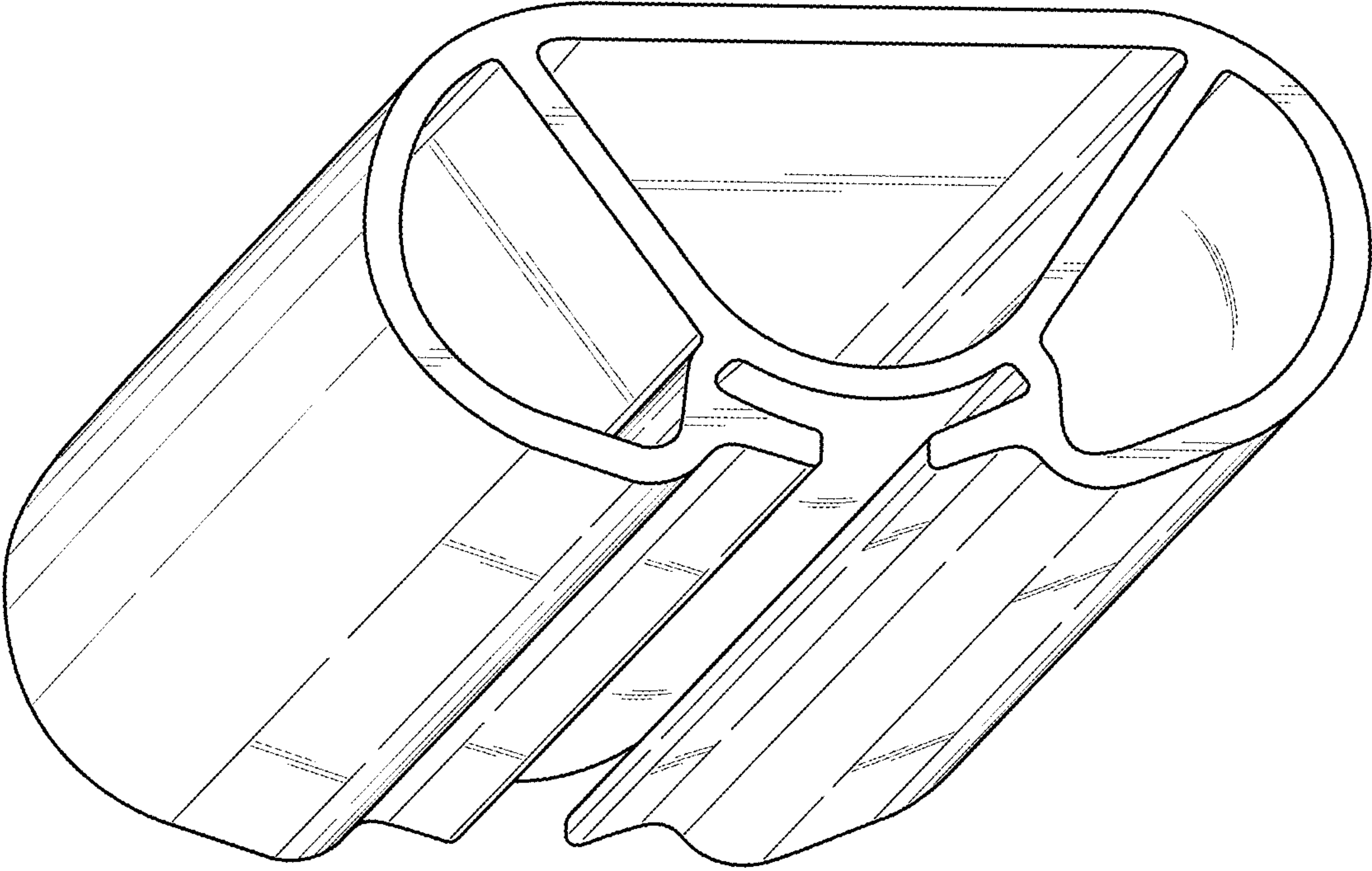


FIG. 2

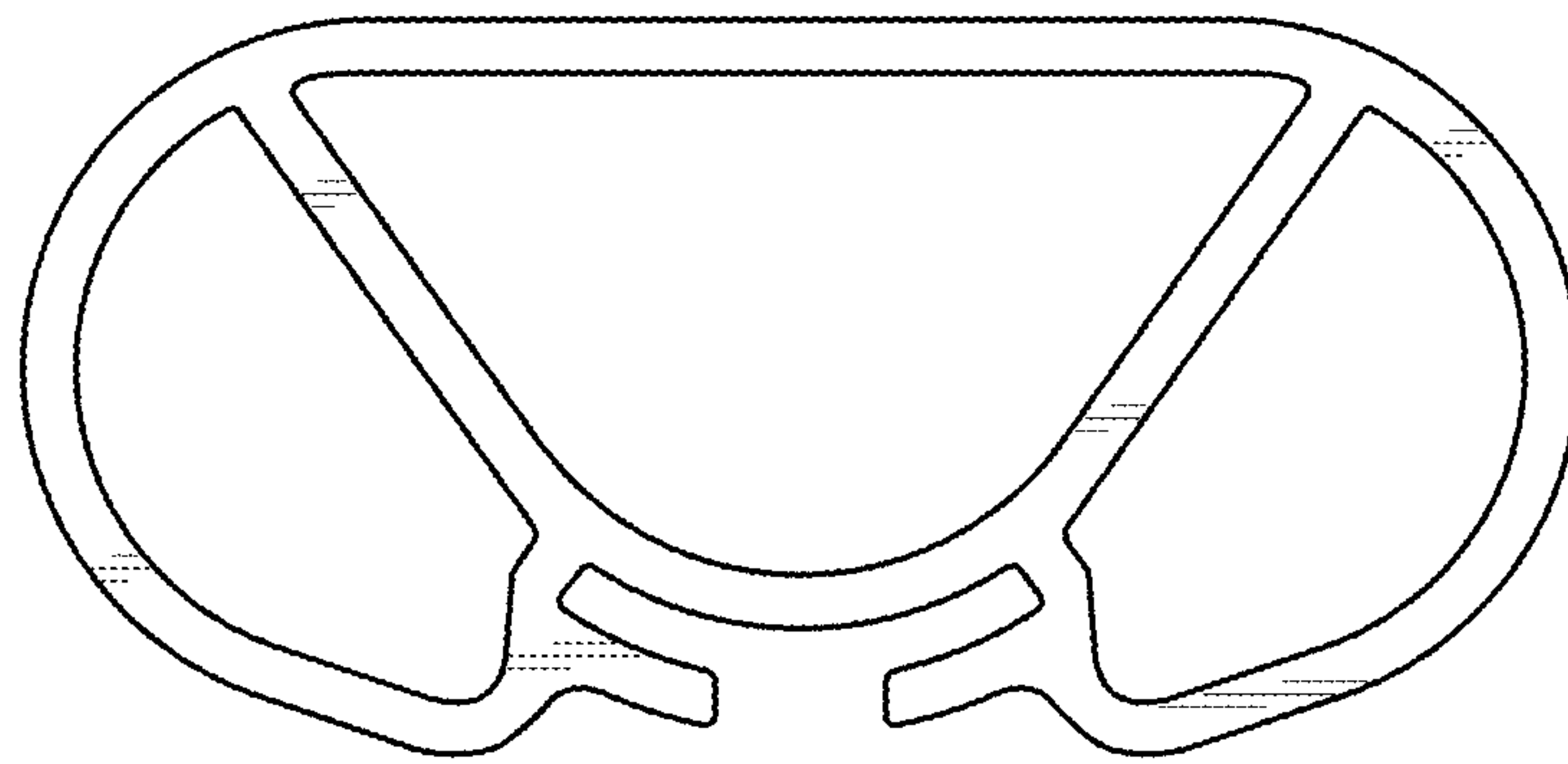


FIG. 3

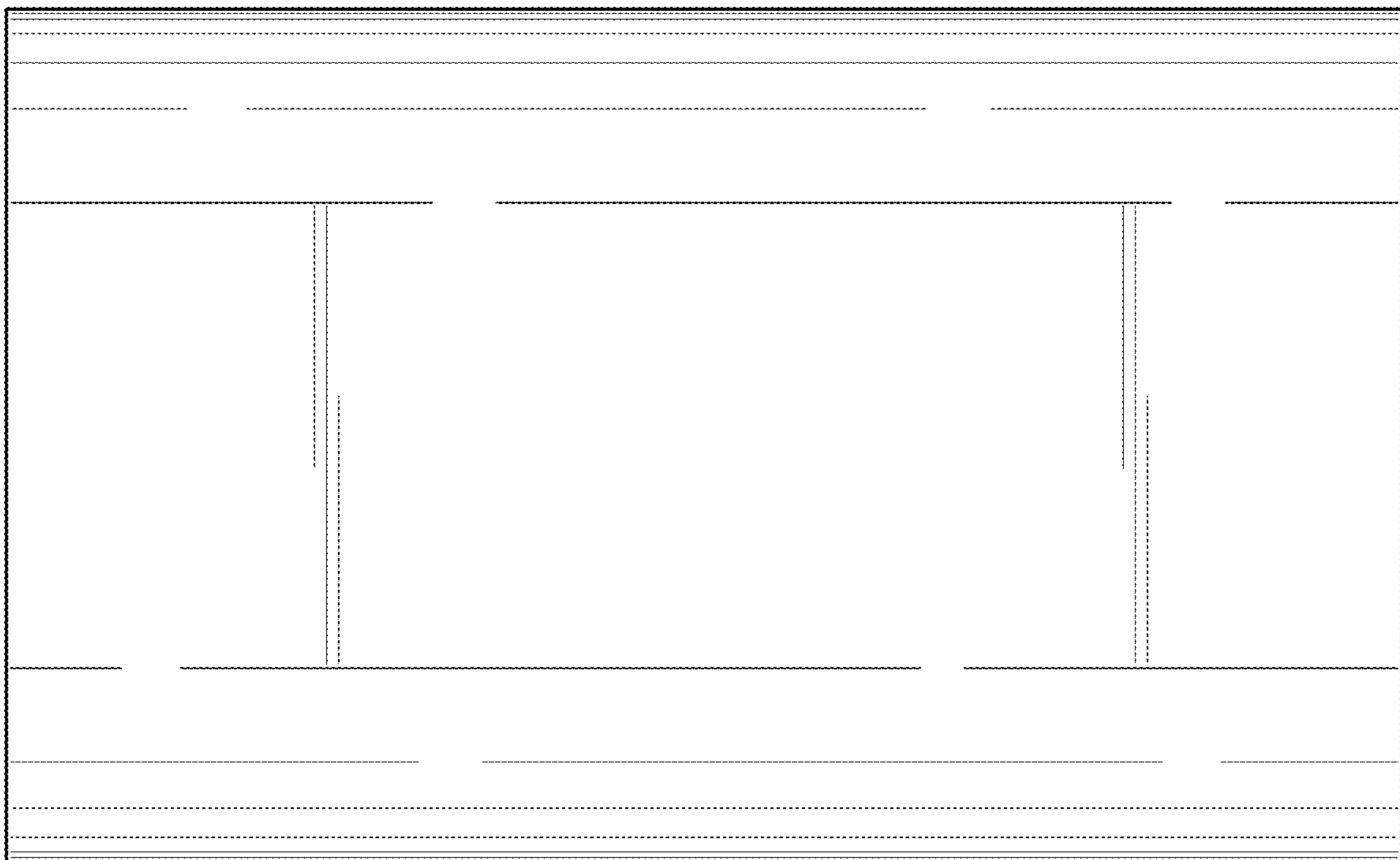


FIG. 4

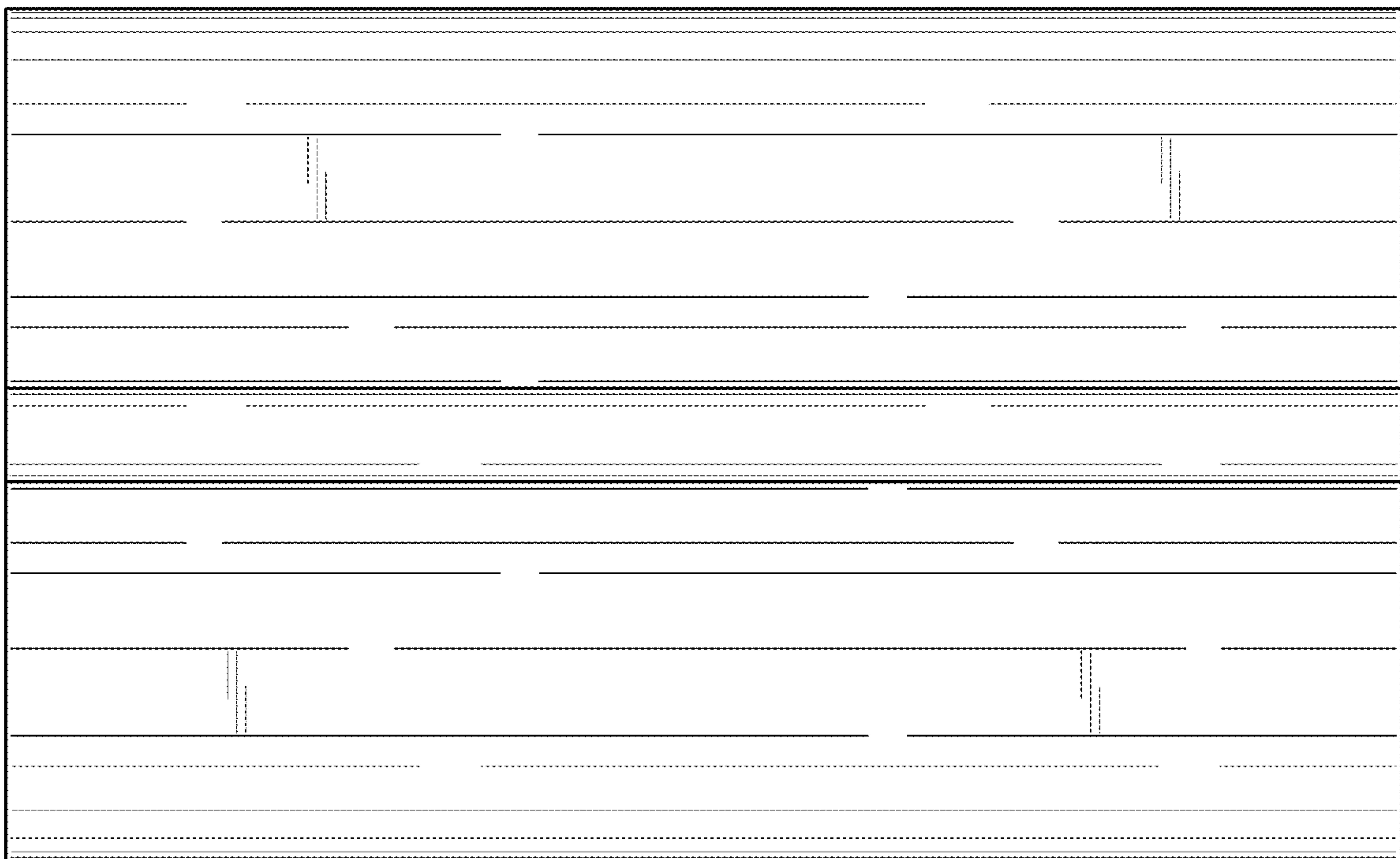


FIG. 5

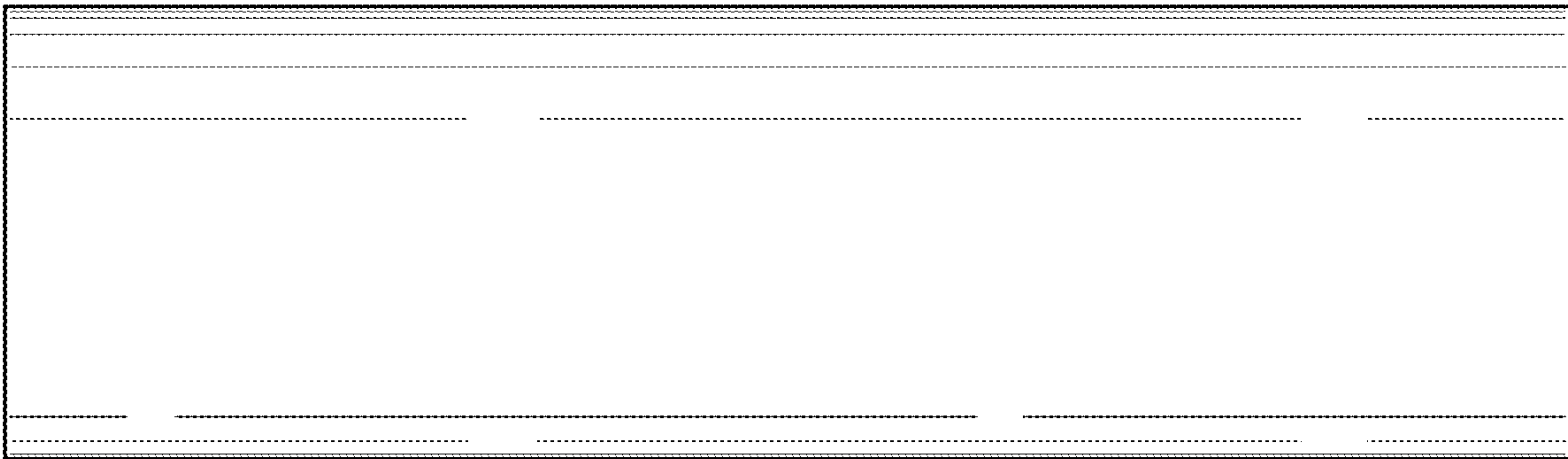


FIG. 6