



US00D977096S

(12) **United States Design Patent** (10) **Patent No.:** **US D977,096 S**
Kovacs (45) **Date of Patent:** **** Jan. 31, 2023**

- (54) **DISTRACTOR BODY**
- (71) Applicant: **INNOVATIVE MEDICAL PRODUCTS, INC.**, Plainville, CT (US)
- (72) Inventor: **Tamas Kovacs**, Burlington, CT (US)
- (73) Assignee: **INNOVATIVE MEDICAL PRODUCTS, INC.**, Plainville, CT (US)
- (**) Term: **15 Years**
- (21) Appl. No.: **29/799,444**
- (22) Filed: **Jul. 14, 2021**
- (51) **LOC (14) Cl.** **24-02**
- (52) **U.S. Cl.**
USPC **D24/135; D24/184**
- (58) **Field of Classification Search**
USPC D24/135, 133, 155, 152, 176, 181, 156, D24/180, 143, 148, 183, 184
CPC A61B 17/8009; A61B 17/8014; A61B 2017/564; A61B 2017/681; A61B 17/0206; A61B 2017/00473; A61B 2017/2837; A61B 2090/0813
See application file for complete search history.

8,048,082 B1	11/2011	Demayo	
D753,295 S *	4/2016	Vivenzio	D24/135
D840,030 S *	2/2019	Smith	D24/140
D896,376 S *	9/2020	Yaghoobian	D24/135

OTHER PUBLICATIONS

Internet Publication by Innovative Medical Products, Inc., De Mayo Ankle Distractor System, [online], [retrieved on Nov. 4, 2022]. Retrieved from Internet, <URL: <https://www.impmedical.com/view-product/surgical-distractor-ankle-arthroscopies>>.*

* cited by examiner

Primary Examiner — Bridget L Eland
(74) *Attorney, Agent, or Firm* — Wasserbauer Law LLC; Damian Wasserbauer; Nicholas E. Blanton

(57) **CLAIM**

The ornamental design for a distractor body, as shown and described.

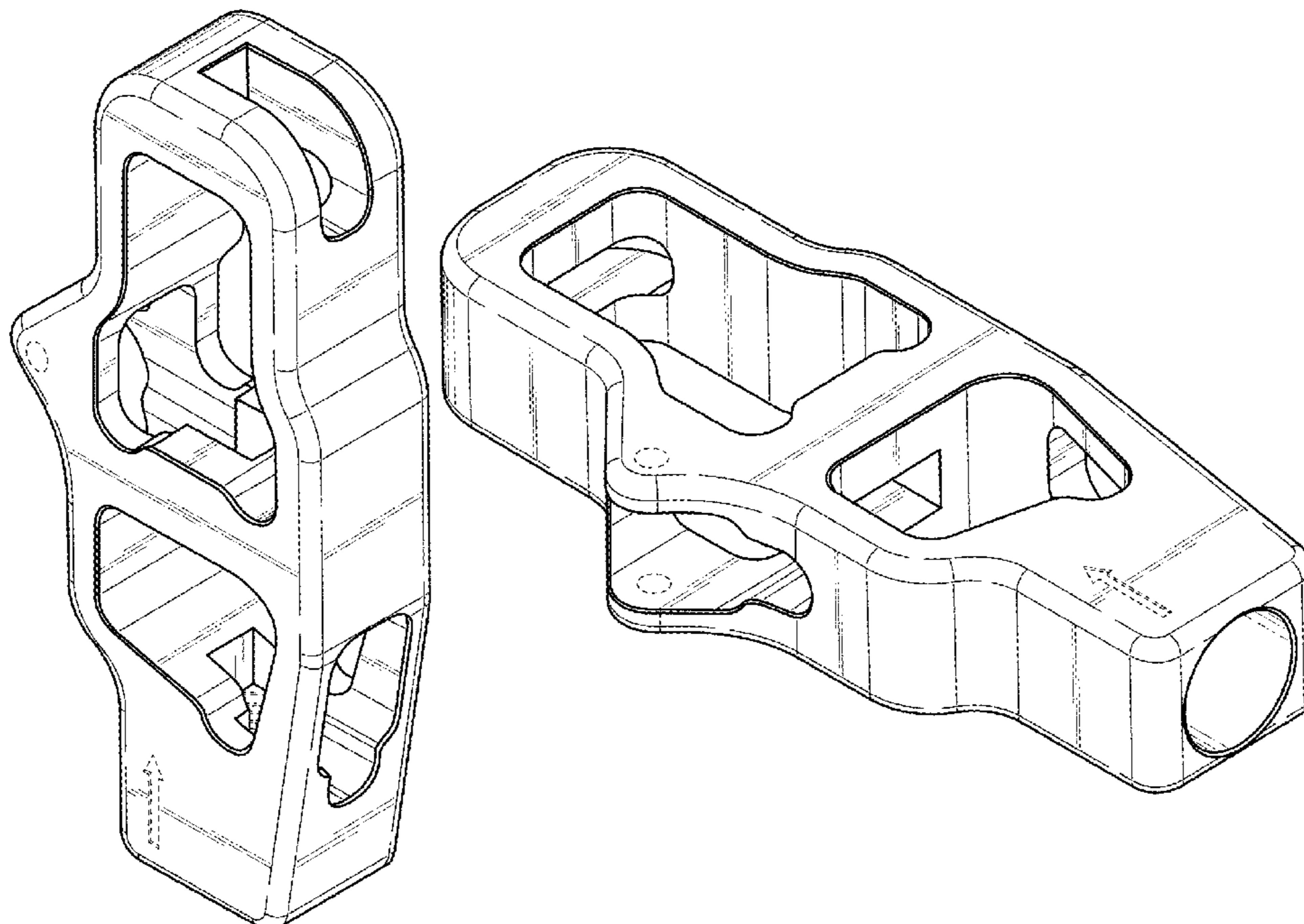
DESCRIPTION

FIG. 1 is a front, top, right side perspective view of the distractor body in accordance with the present invention; FIG. 2 is a front, bottom, left side perspective view thereof; FIG. 3 is a front, bottom, right side perspective view thereof; FIG. 4 is a front view thereof, wherein the rear view is a mirror image thereof; FIG. 5 is a top view thereof; FIG. 6 is a bottom view thereof; FIG. 7 is a right side view thereof; and, FIG. 8 is a left side view thereof.
The broken lines in the disclosure of FIGS. 1-8 are directed to environment and form no part of the claimed design.

1 Claim, 8 Drawing Sheets

(56) **References Cited**
U.S. PATENT DOCUMENTS

D421,803 S *	3/2000	Koros	D24/135
D455,831 S *	4/2002	Koros	F16M 13/022
			D24/128
D466,212 S *	11/2002	Koros	D24/135
D526,410 S *	8/2006	Phillips	D24/135
D566,269 S *	4/2008	Koros	D24/135



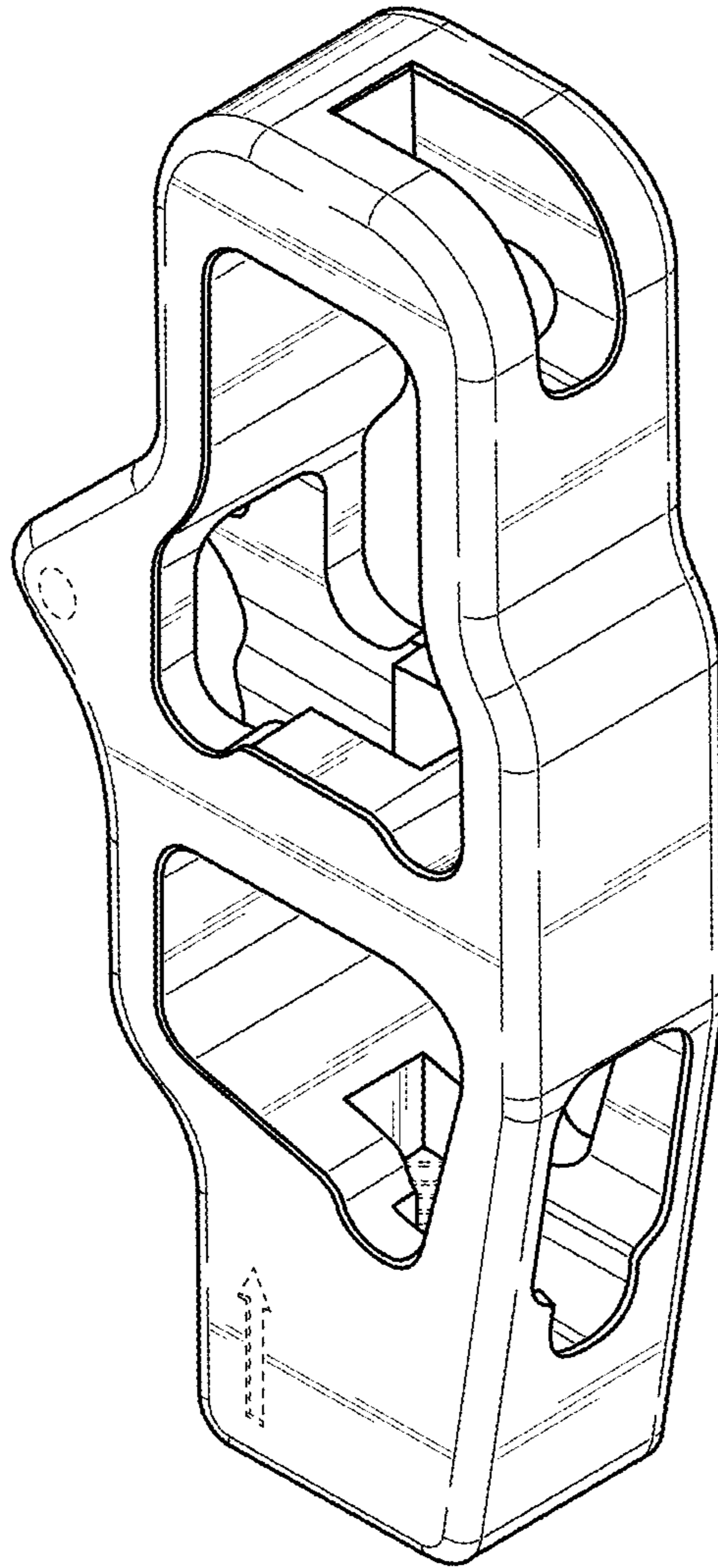


FIG. 1

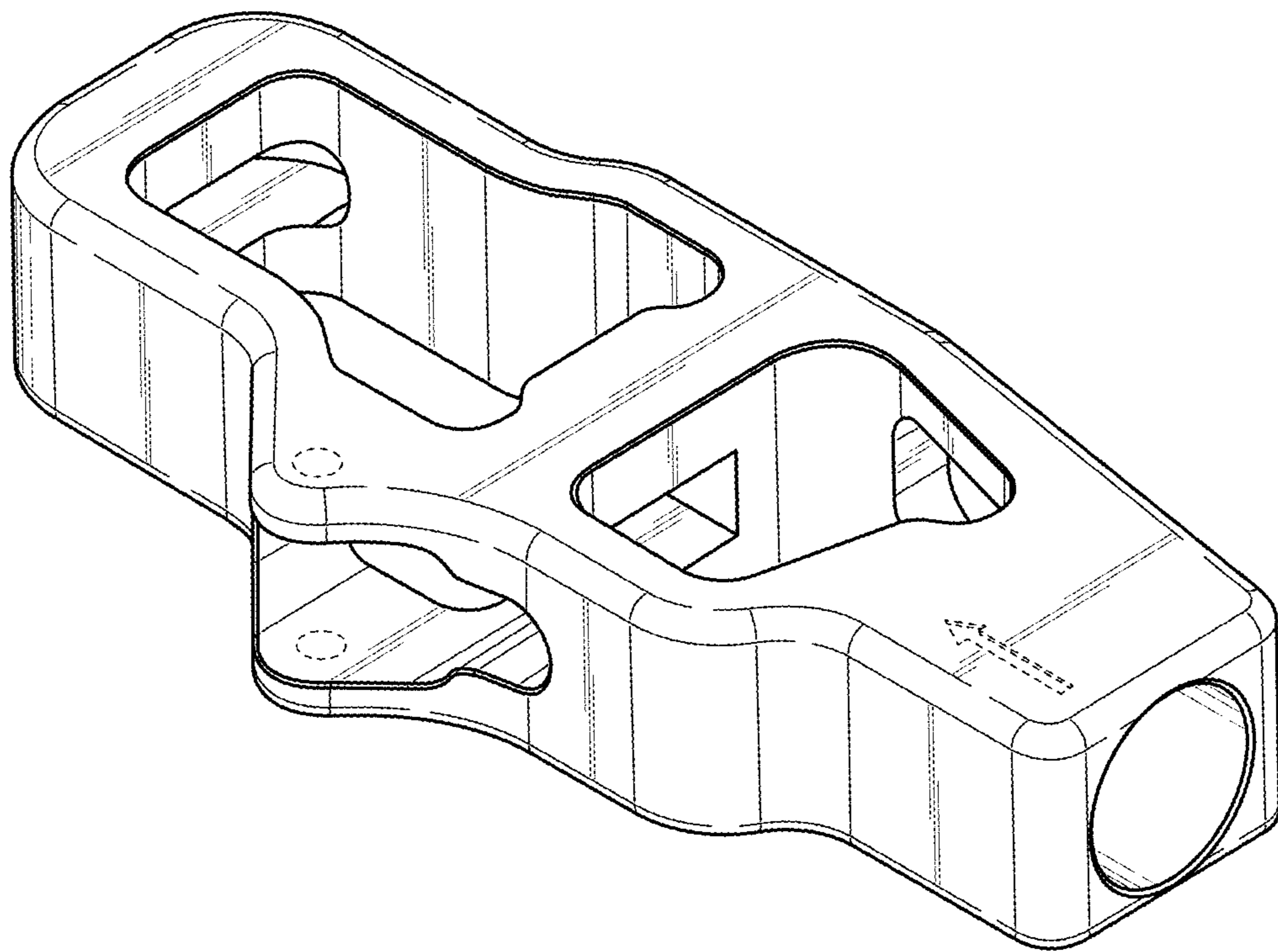


FIG. 2

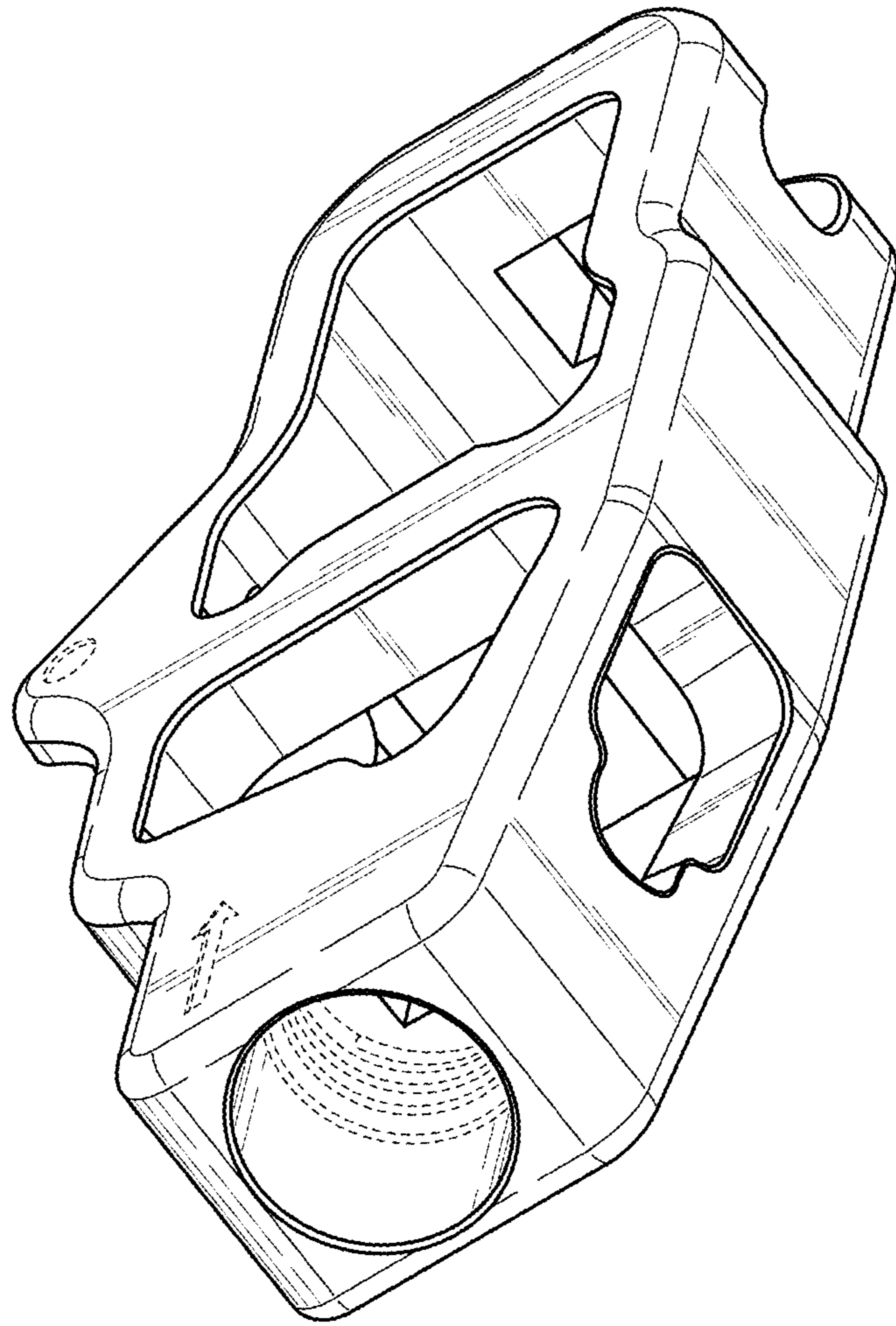


FIG. 3

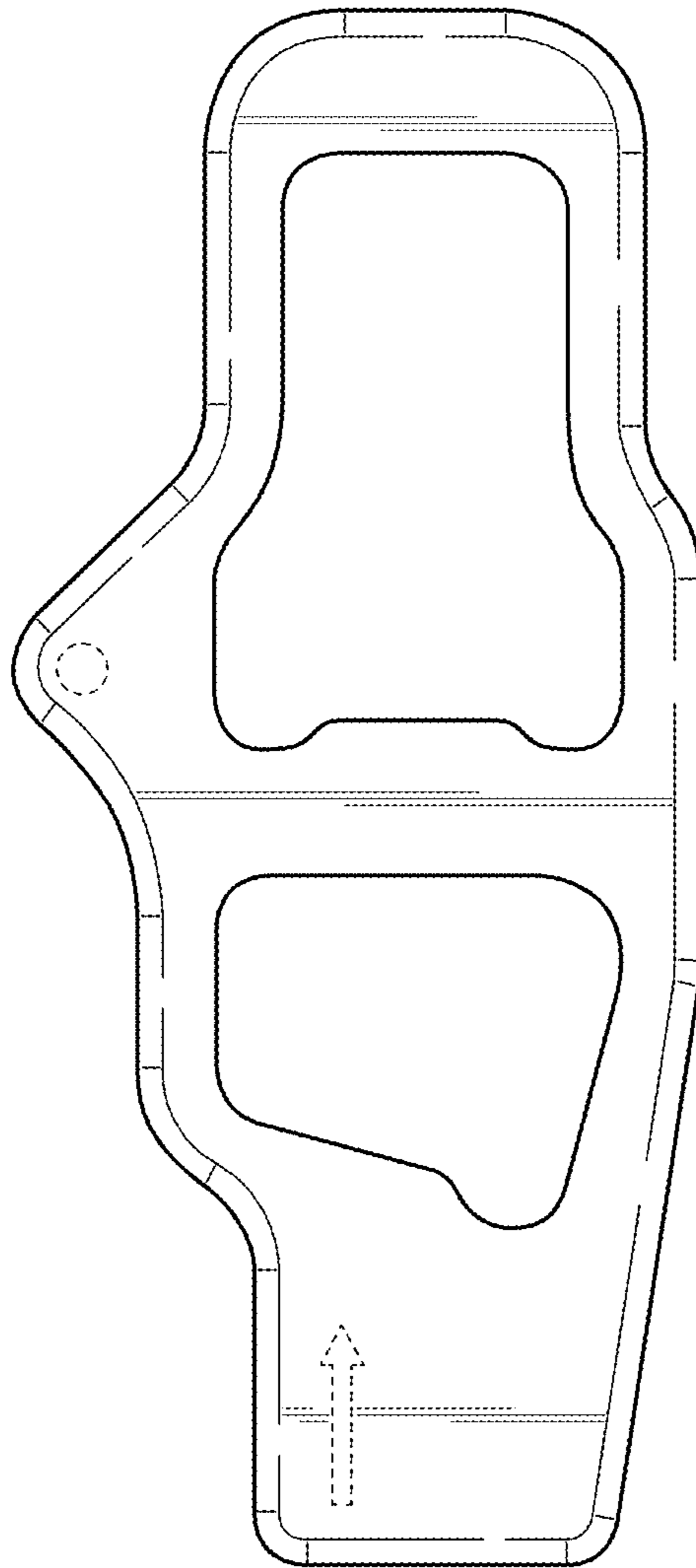


FIG. 4

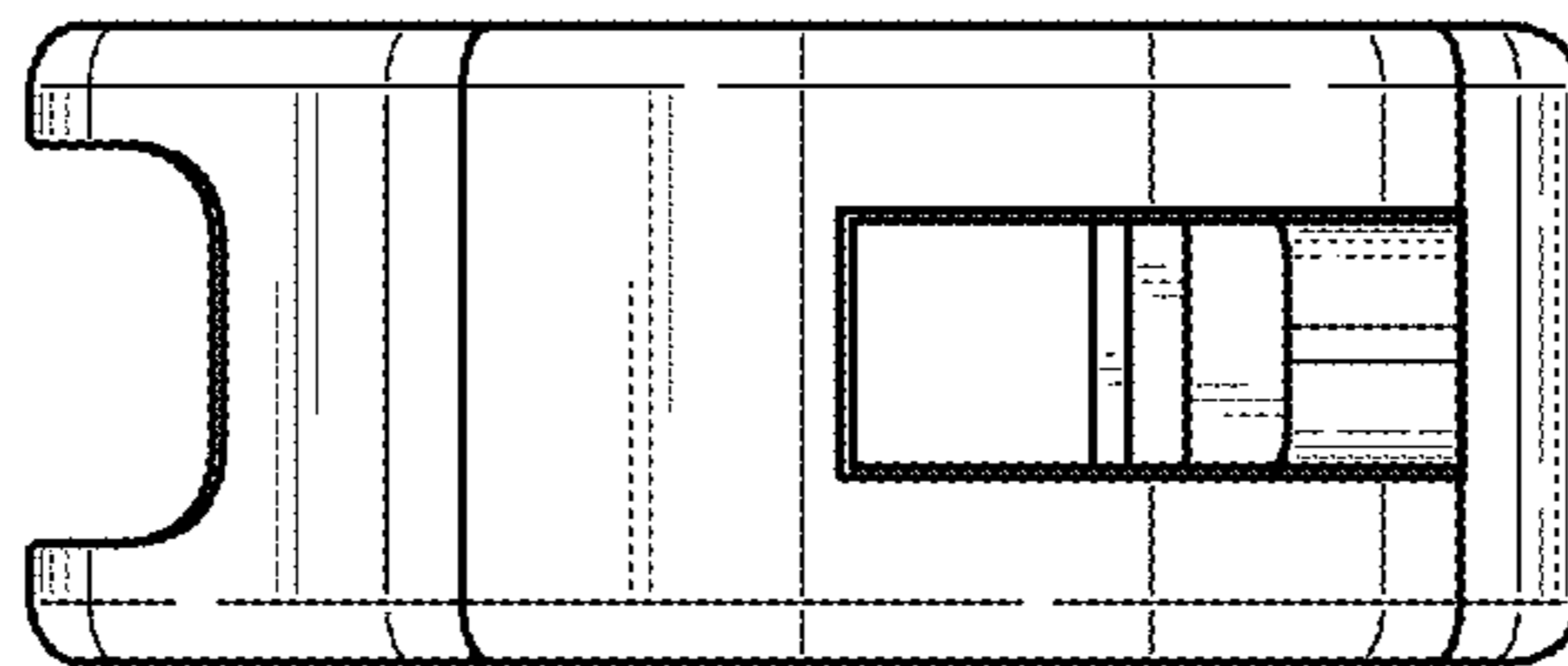


FIG. 5

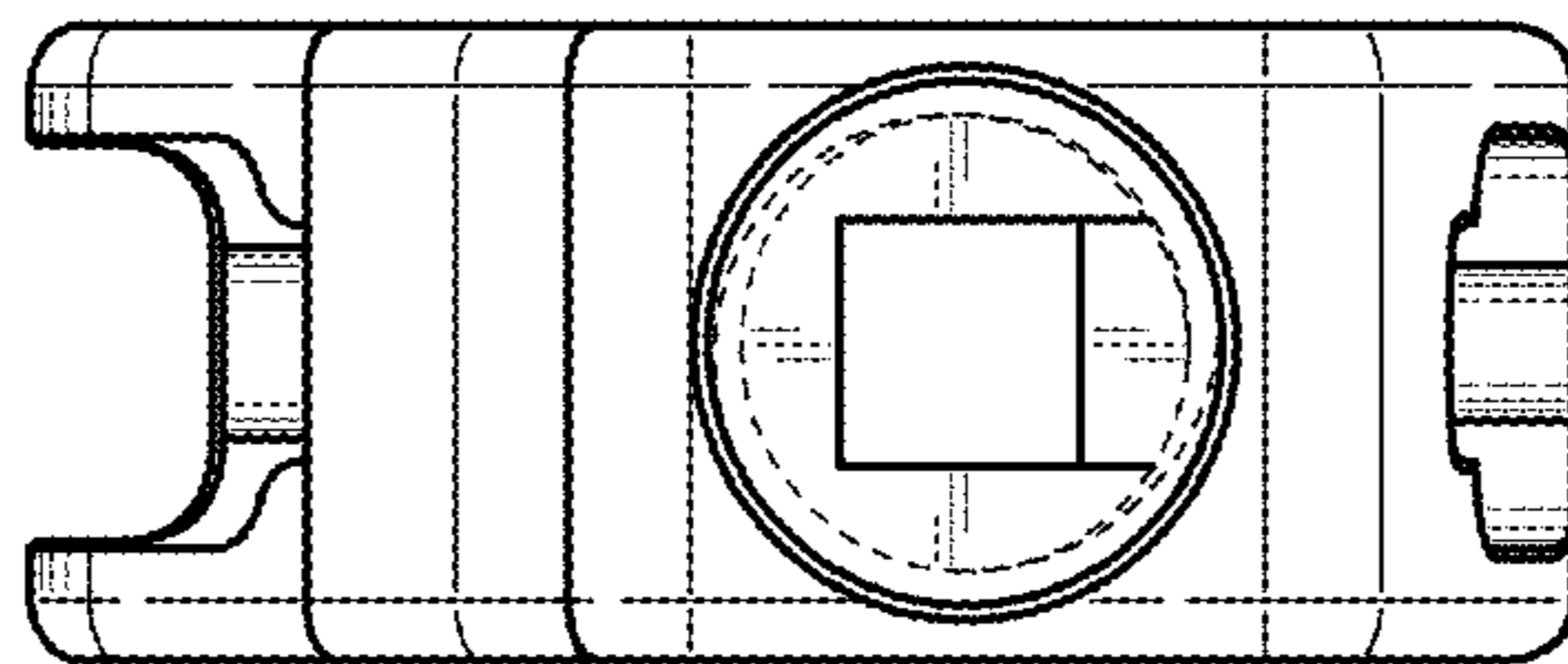


FIG. 6

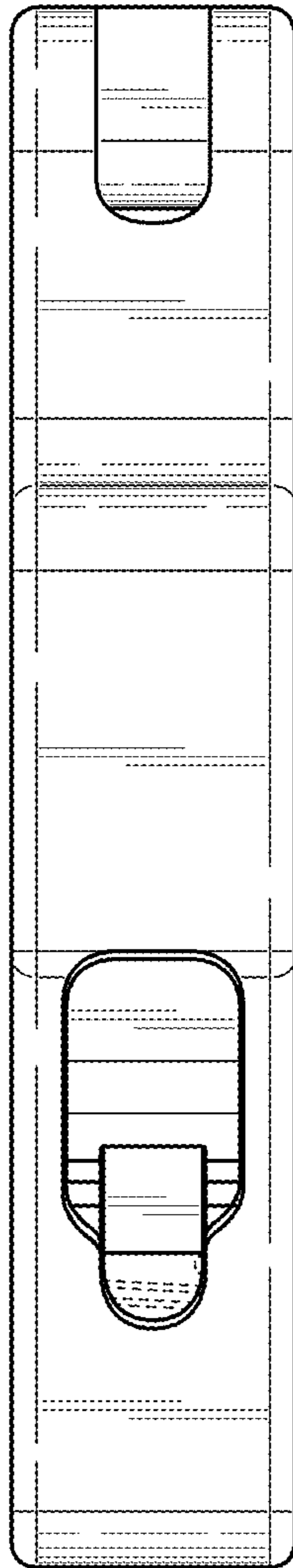


FIG. 7

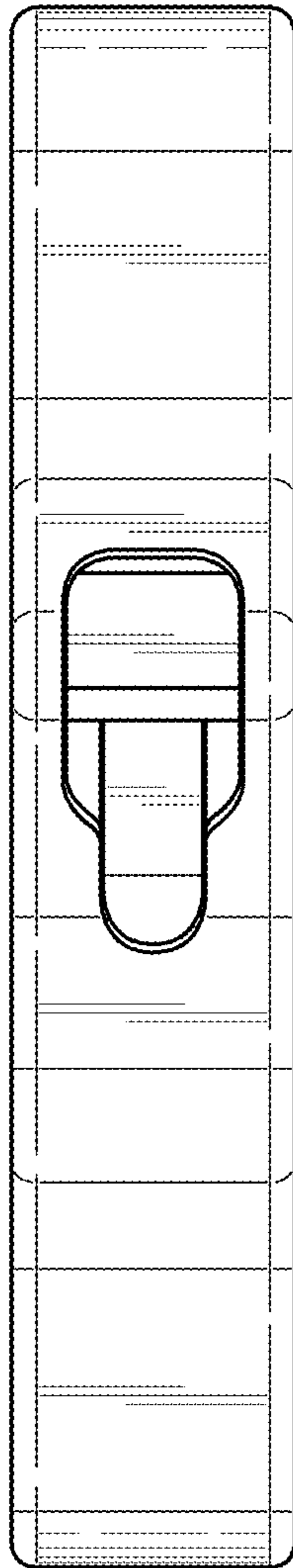


FIG. 8