



US00D977095S

(12) **United States Design Patent**
Shainwald et al.

(10) **Patent No.:** **US D977,095 S**
(45) **Date of Patent:** **** Jan. 31, 2023**

(54) **HANDPIECE**

(71) Applicant: **DePuy Synthes Products, Inc.**,
Raynham, MA (US)

(72) Inventors: **Mark Shainwald**, Raynham, MA (US);
Kevin Zylka, Raynham, MA (US)

(73) Assignee: **Medos International Sarl**, Le Locle
(CH)

(**) Term: **15 Years**

(21) Appl. No.: **29/736,343**

(22) Filed: **May 29, 2020**

(51) **LOC (14) Cl.** **24-02**

(52) **U.S. Cl.**
USPC **D24/133; D24/146**

(58) **Field of Classification Search**
USPC D24/107, 108, 112, 127, 133, 146, 147
CPC A61B 17/32; A61B 2017/320004; A61B
2017/320008; A61B 17/32002; A61B
2217/007; A61B 2017/00761
See application file for complete search history.

(56) **References Cited**

U.S. PATENT DOCUMENTS

D298,353 S * 11/1988 Manno D24/147
D330,253 S * 10/1992 Burek D24/144
(Continued)

FOREIGN PATENT DOCUMENTS

GB 6108228 * 11/2020

OTHER PUBLICATIONS

[Advantage Turbo Shaver], cdn.shopify.com, Posted: Date [Dec. 2005], site visited: [May 10, 2022], URL: <https://cdn.shopify.com/s/files/1/0012/6087/9985/files/Advantage_Turbo_Brochure_CBR0037.pdf?101421>. (Year: 2005).*

(Continued)

Primary Examiner — Jonathan J Han
Assistant Examiner — Amanda J Berlinski

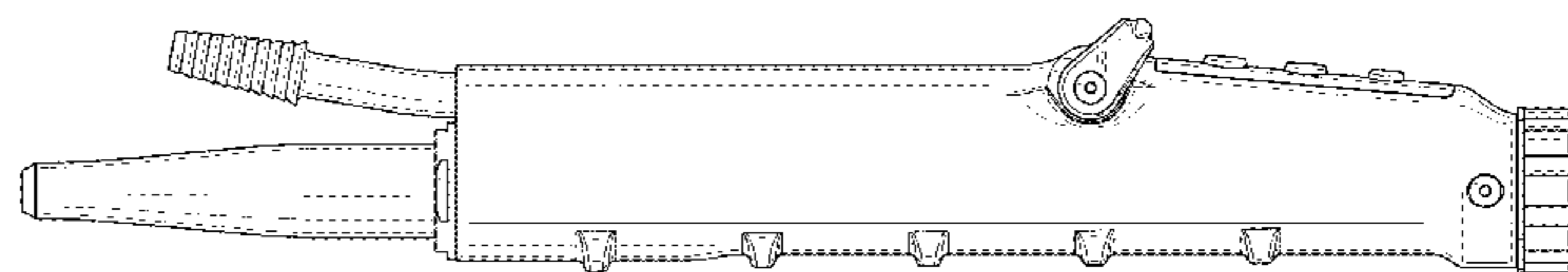
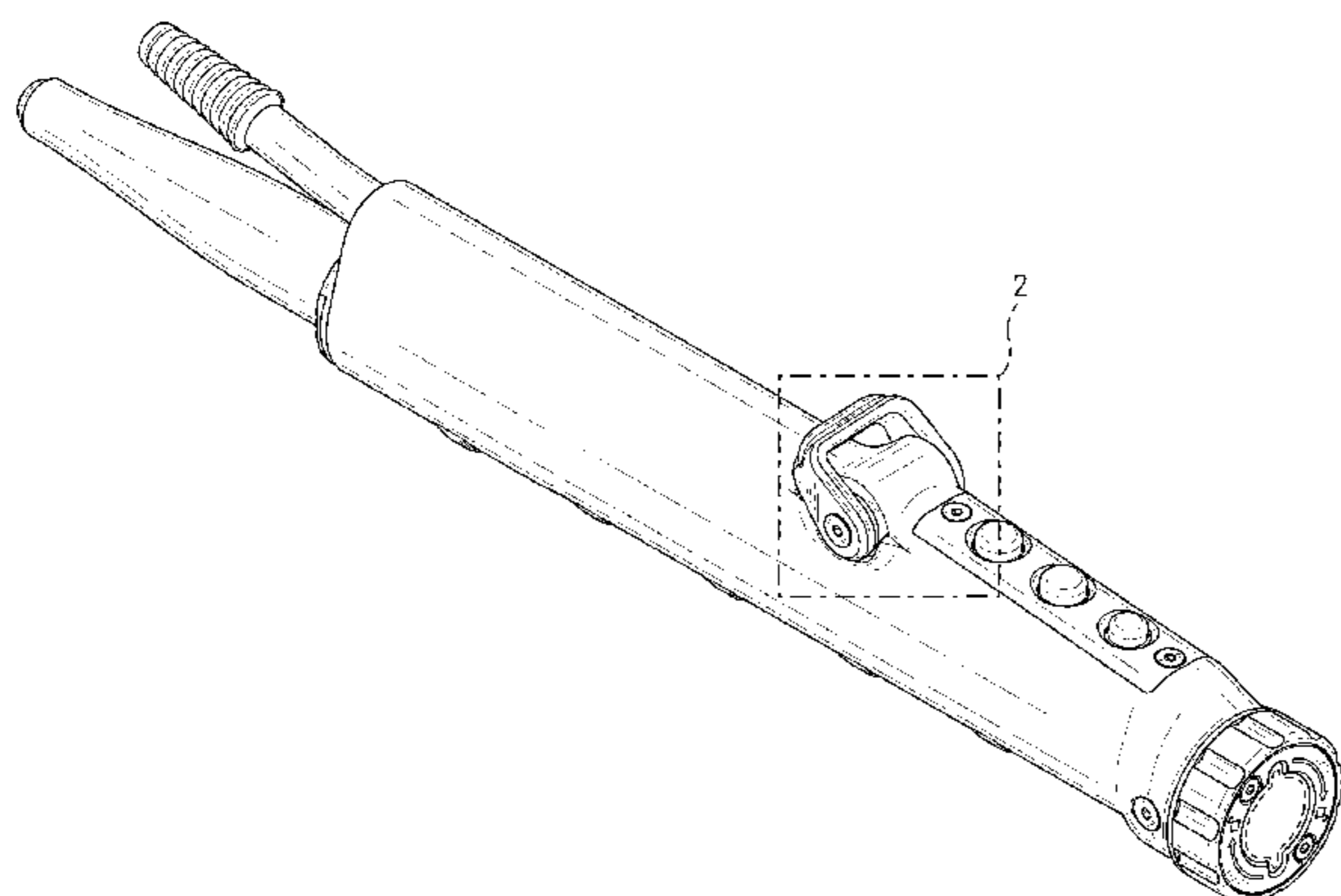
(57) **CLAIM**

The ornamental design for a handpiece, as shown and described.

DESCRIPTION

FIG. 1 is a front perspective view of a new design for a handpiece shown in a closed configuration;
FIG. 2 is a partially enlarged view thereof taken from FIG. 1;
FIG. 3 is a front perspective view of the handpiece of FIG. 1 shown in an open configuration;
FIG. 4 is a partially enlarged view thereof taken from FIG. 3;
FIG. 5 is another front perspective view thereof;
FIG. 6 is a partially enlarged view thereof taken from FIG. 5;
FIG. 7 is a back perspective view of the handpiece of FIG. 1 shown in an open configuration;
FIG. 8 is a partially enlarged view thereof taken from FIG. 7;
FIG. 9 is another back perspective view thereof;
FIG. 10 is a partially enlarged view thereof taken from FIG. 9;
FIG. 11 is a top view of the handpiece of FIG. 1 shown in an open configuration;
FIG. 12 is a bottom view thereof;
FIG. 13 is a left view thereof, the right view being a mirror image thereof;
FIG. 14 is an enlarged front view thereof; and,
FIG. 15 is an enlarged back view thereof.
The dash-dash broken lines in the drawings define the bounds of the claimed design and form no part thereof. The dot-dash broken lines shown in the figures are included to identify areas of enlargement and form no part of the claimed design.

1 Claim, 14 Drawing Sheets



(56)

References Cited

U.S. PATENT DOCUMENTS

5,492,527 A * 2/1996 Glowa A61M 1/7413
606/180
D368,961 S * 4/1996 Himbert D24/114
D380,544 S * 7/1997 Sandock D24/112
D380,658 S * 7/1997 Bruno D24/146
D384,148 S * 9/1997 Monson D24/112
D388,170 S * 12/1997 Sjoström D24/133
5,712,543 A * 1/1998 Sjoström B25F 3/00
318/67
D440,310 S * 4/2001 Laks D24/112
D453,569 S * 2/2002 Himbert D24/114
D455,209 S * 4/2002 Himbert D24/114
D467,334 S * 12/2002 Homma D24/114
D495,052 S * 8/2004 Reschke D24/144
D547,864 S * 7/2007 Rau 600/131
D564,093 S * 3/2008 Marchand D24/133
D569,508 S * 5/2008 Bacher D24/133
D622,842 S * 8/2010 Benoist D24/133
D622,852 S * 8/2010 Berberich D28/50
D625,803 S * 10/2010 Studenec D24/140
D626,222 S * 10/2010 Studenec D24/133
D636,081 S * 4/2011 Berberich D24/147
D669,986 S * 10/2012 Sepehrnia D24/146
D674,479 S * 1/2013 Merchant D24/108
D680,640 S * 4/2013 Merchant D24/108
D704,336 S * 5/2014 Chon D24/144
D708,744 S * 7/2014 Morris D24/144
D720,070 S * 12/2014 Khalaj D24/144
D724,726 S * 3/2015 Prokop D24/133
D735,327 S * 7/2015 Van Wyk D24/133
D800,529 S * 10/2017 Leibowitz D8/83

D947,375 S * 3/2022 Norman D24/112
11,399,856 B2 * 8/2022 Loreth A61B 90/03
2008/0287925 A1 * 11/2008 Le A61B 17/00
606/1
2011/0065997 A1 * 3/2011 Hamer A61M 1/76
606/174
2011/0245599 A1 * 10/2011 Auclair, Jr. A61B 17/32002
604/319
2012/0130165 A1 * 5/2012 Riva A61B 17/32002
600/104
2012/0157879 A1 * 6/2012 Mark G01N 1/31
435/284.1
2015/0150566 A1 * 6/2015 Spycher H01H 13/7065
200/5 A

OTHER PUBLICATIONS

[The Formula For Success], wemed1.com, Posted: Date [2007], site visited: [May 10, 2022], URL: <http://www.wemed1.com/downloads/dl/file/id/4853/product/5986/specs_for_enas_s_375_708.pdf>. (Year: 2007).*

[ConMed Linvatec Shaver Handpieces], cdn.shopify.com, Posted: Date [Oct. 2014], site visited: [May 10, 2022], URL: <https://cdn.shopify.com/s/files/1/0012/6087/9985/files/W41-260-004_1.pdf?101422>. (Year: 2014).*

[FMS VUE ii Fluid Management & Tissue Debridement System, Differentiation that matters, so you can: Focus on the patient], 5.imimg.com, Posted: Date [2018], site visited: [May 10, 2022], URL: <<https://5.imimg.com/data5/SELLER/Doc/2021/3/IX/OF/ZH/121710992/fluid-management-and-tissue-debridement-system.pdf>>. (Year: 2018).*

* cited by examiner

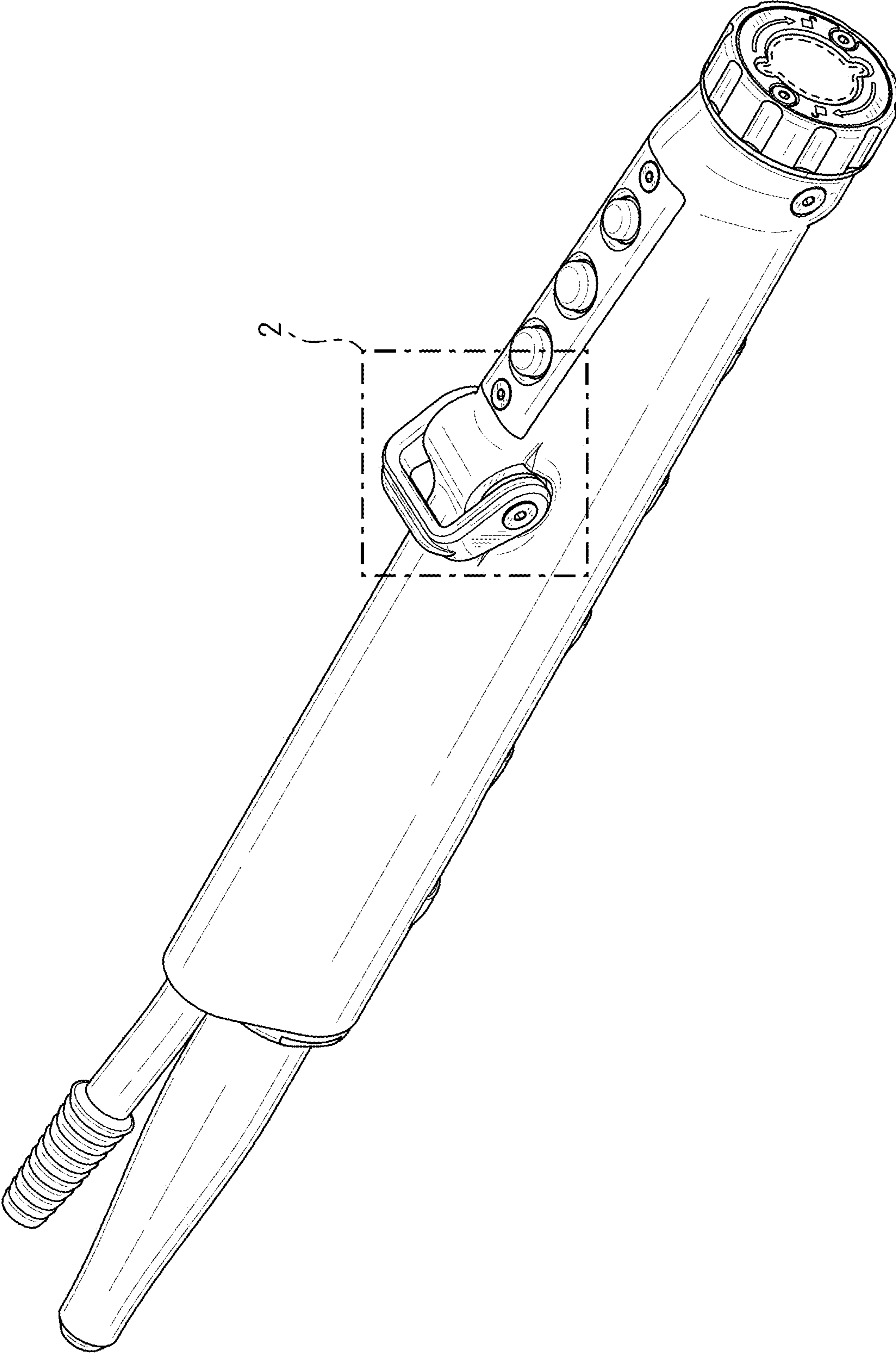


FIG. 1

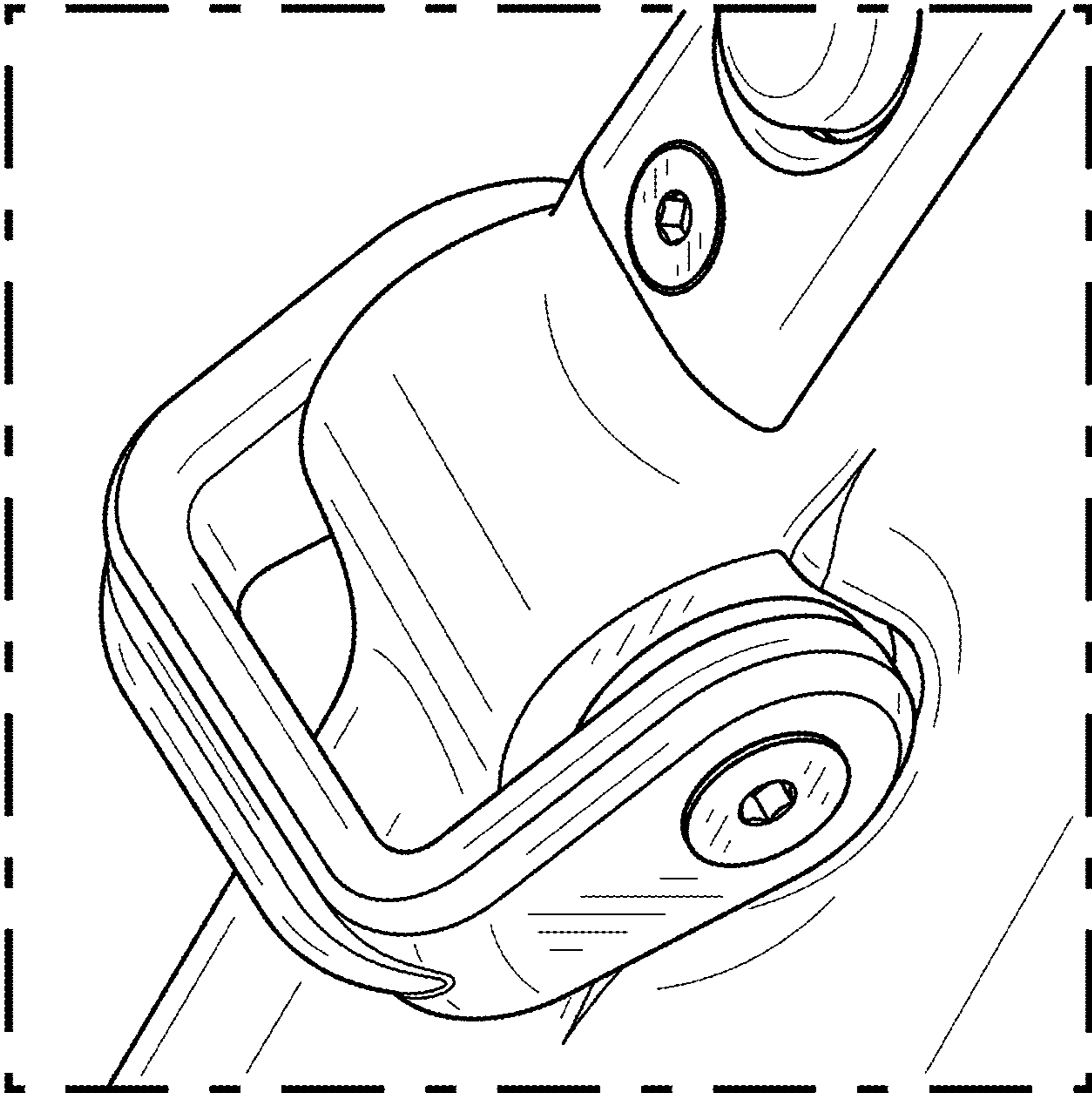


FIG. 2

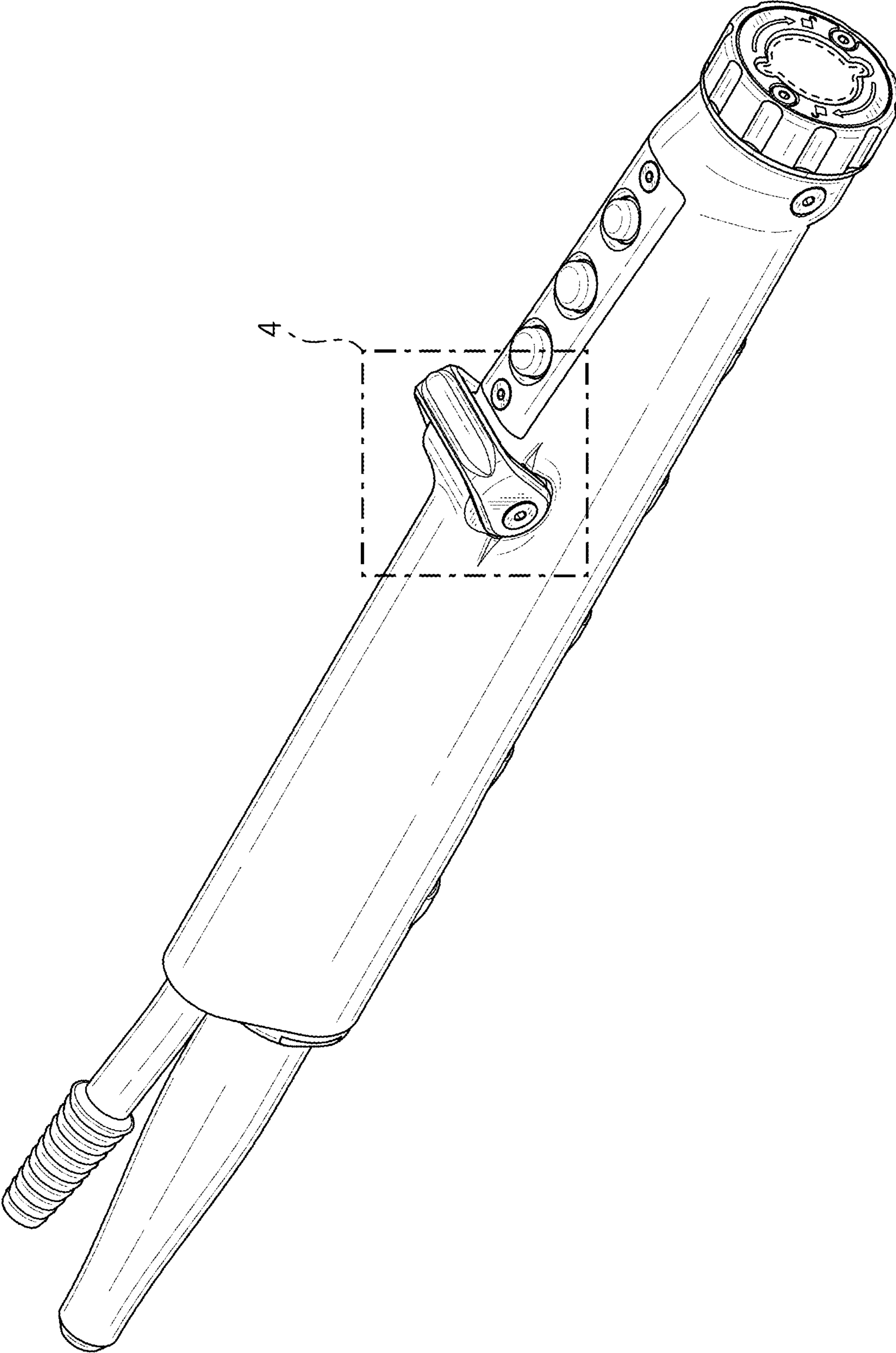


FIG. 3

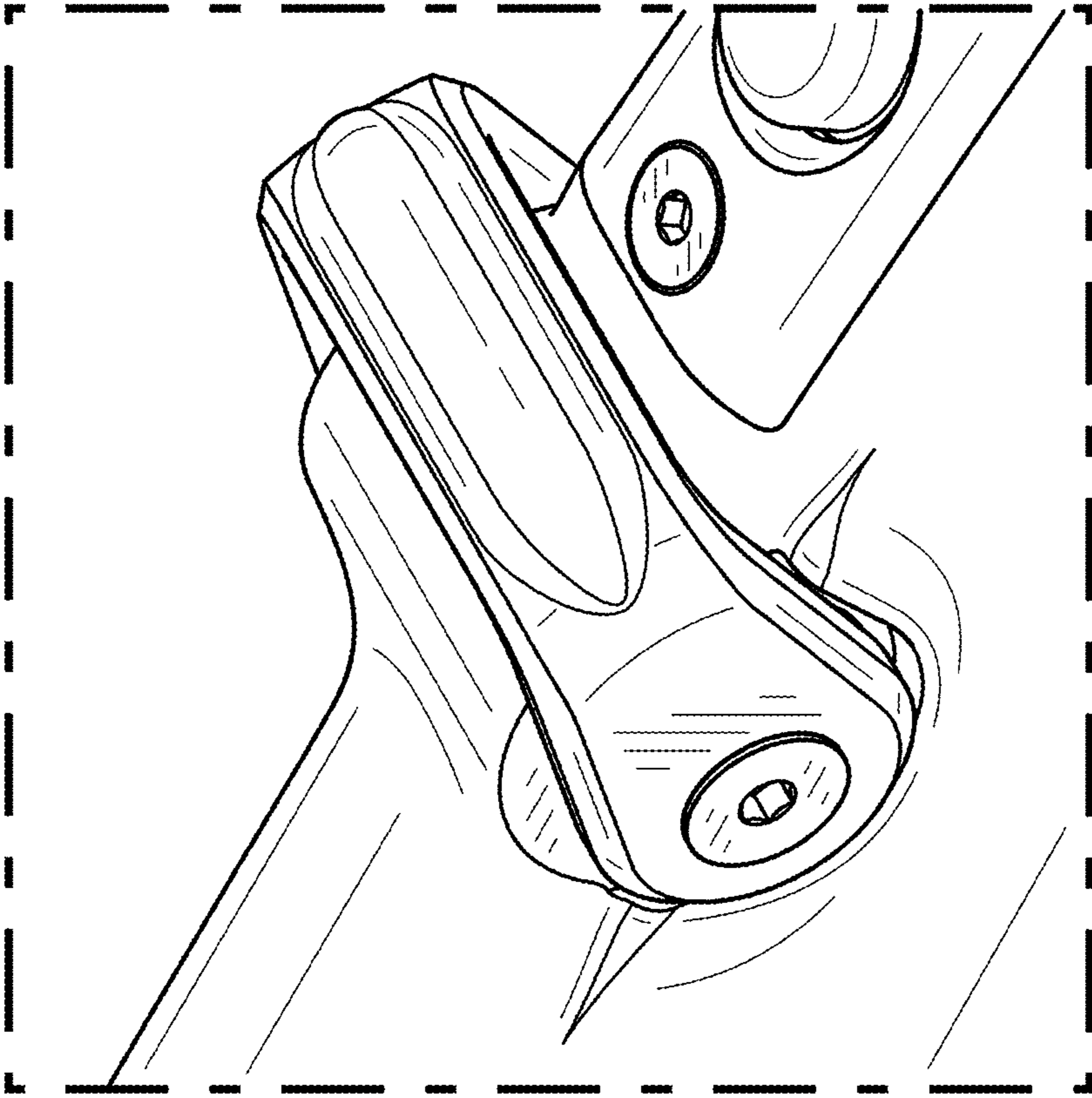


FIG. 4

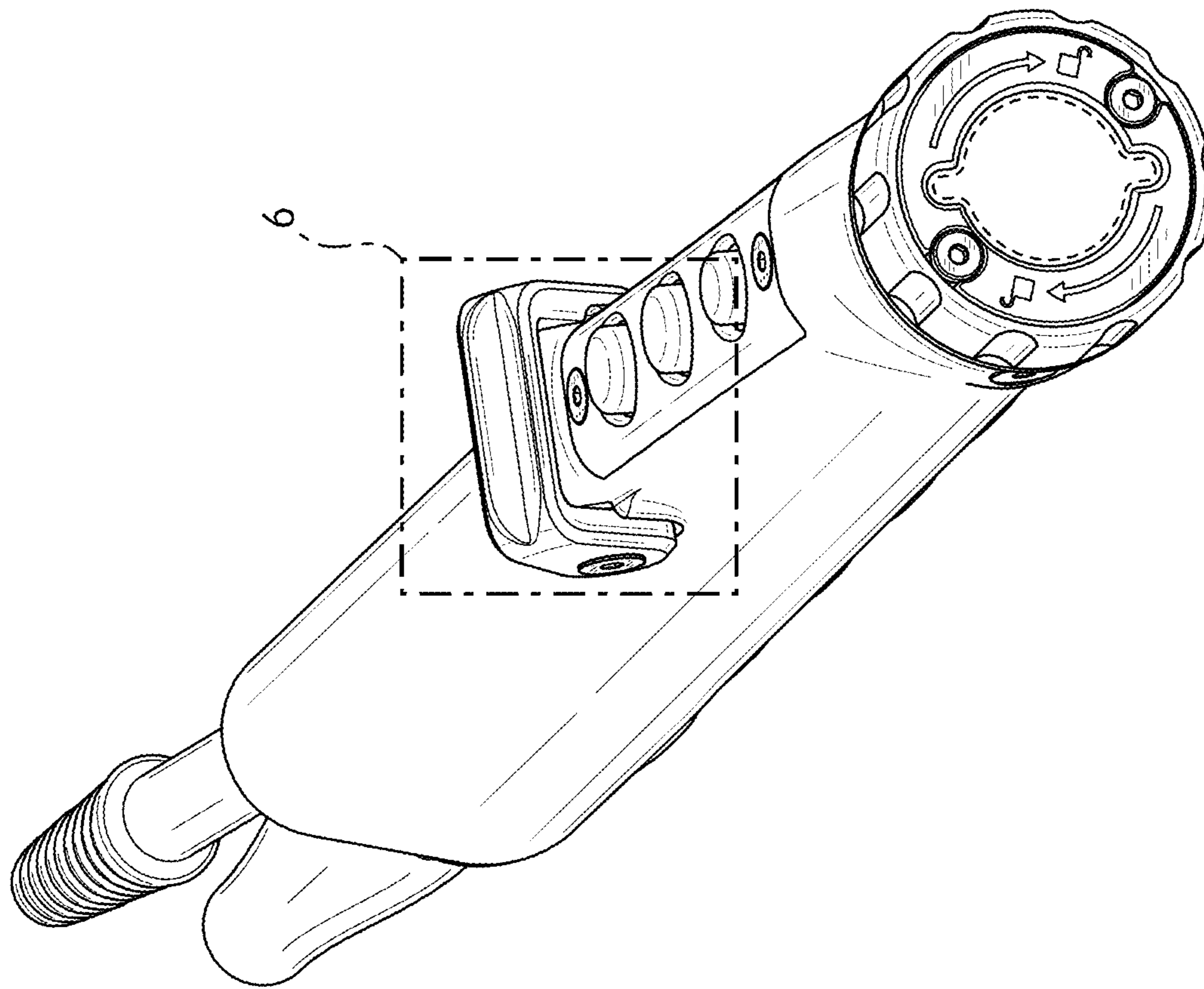


FIG. 5

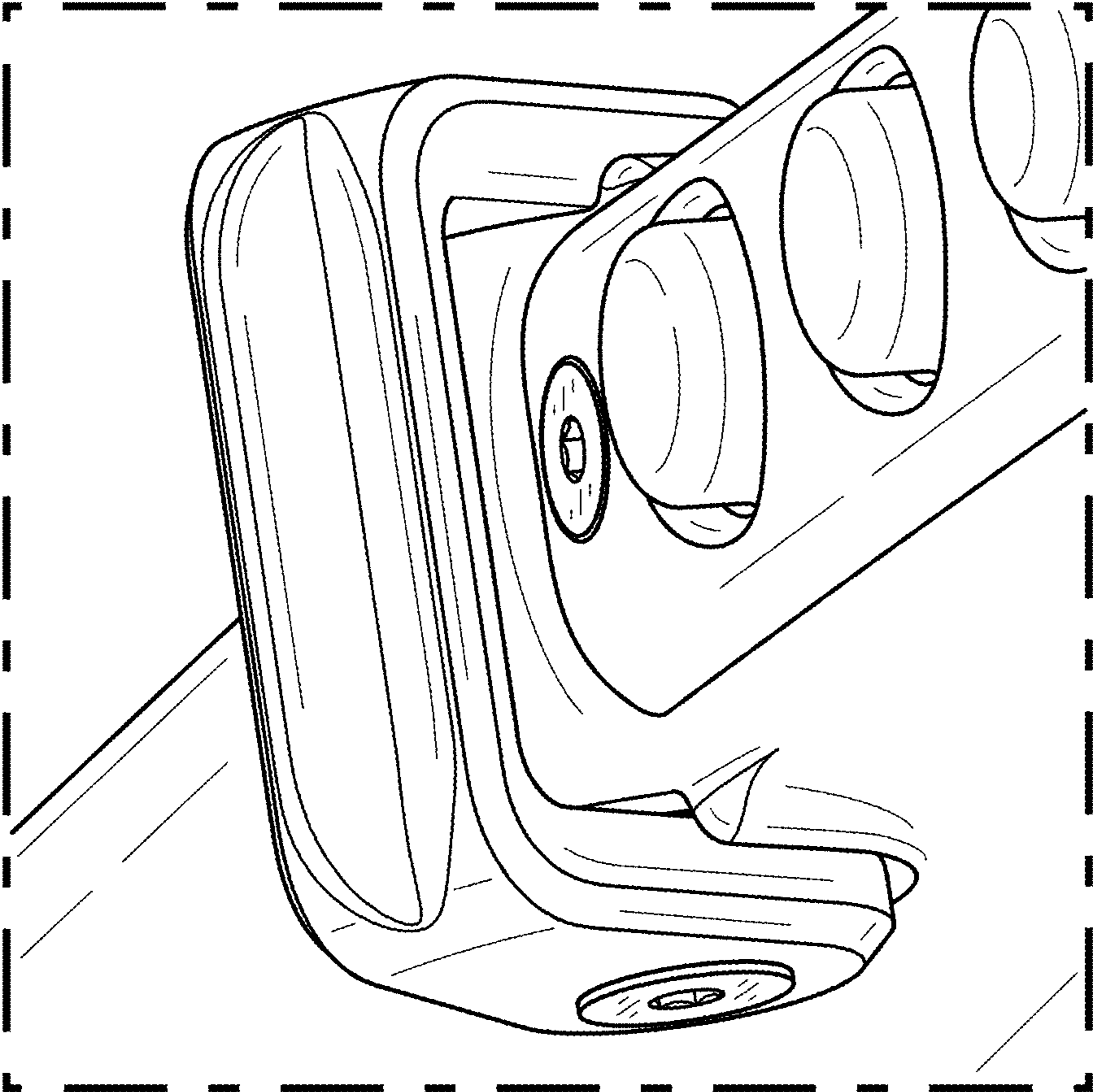


FIG. 6

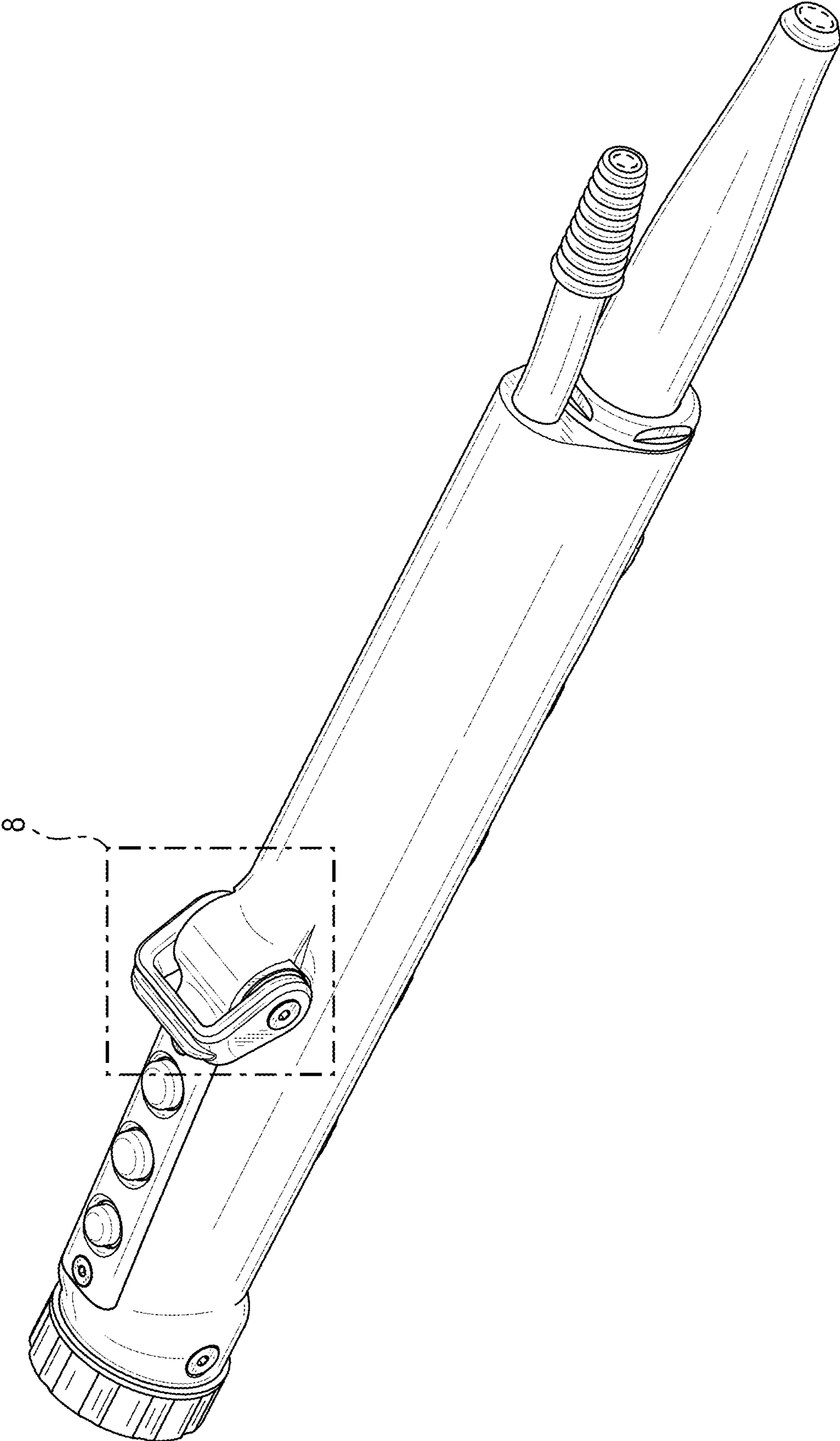


FIG. 7

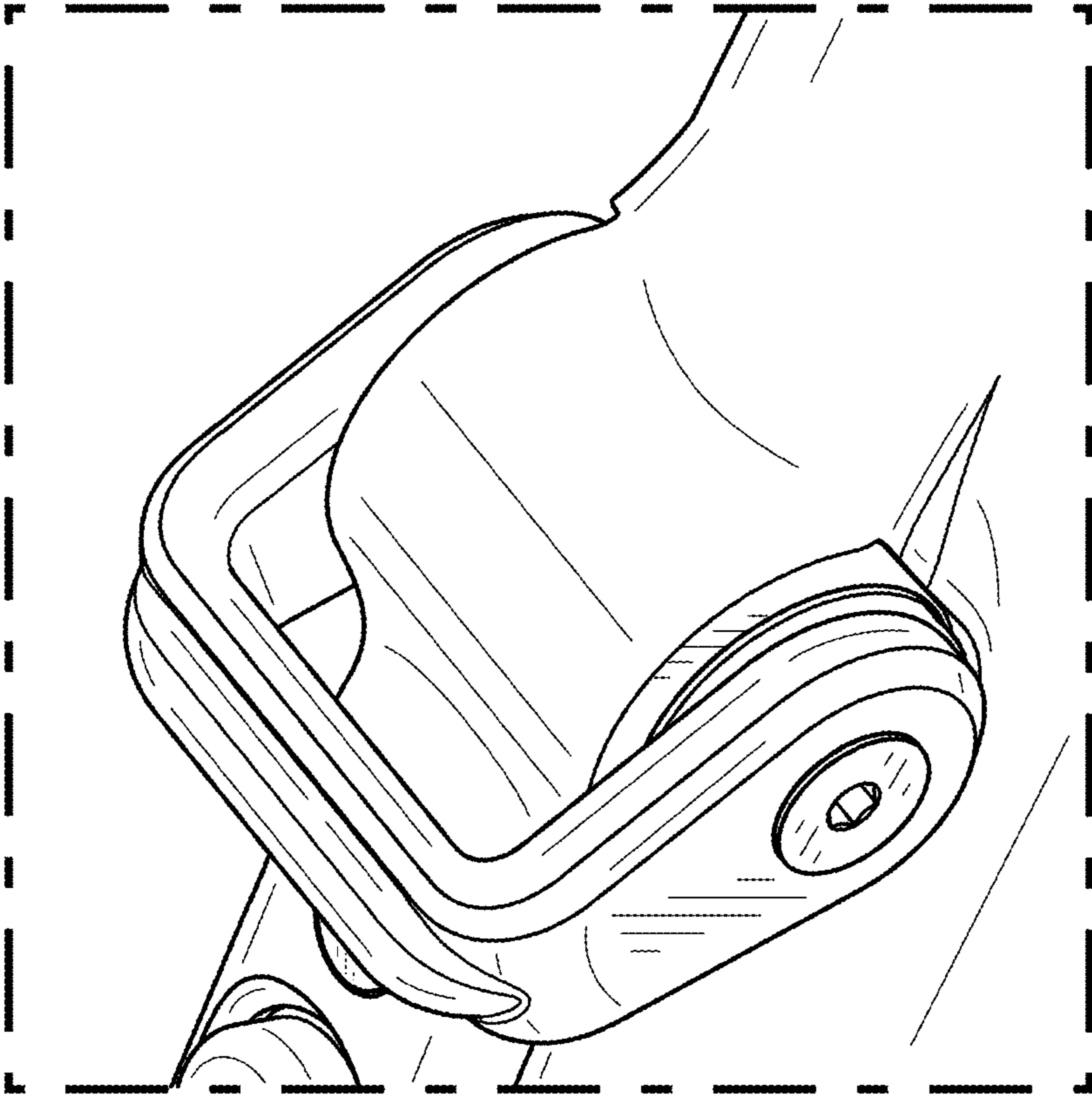


FIG. 8

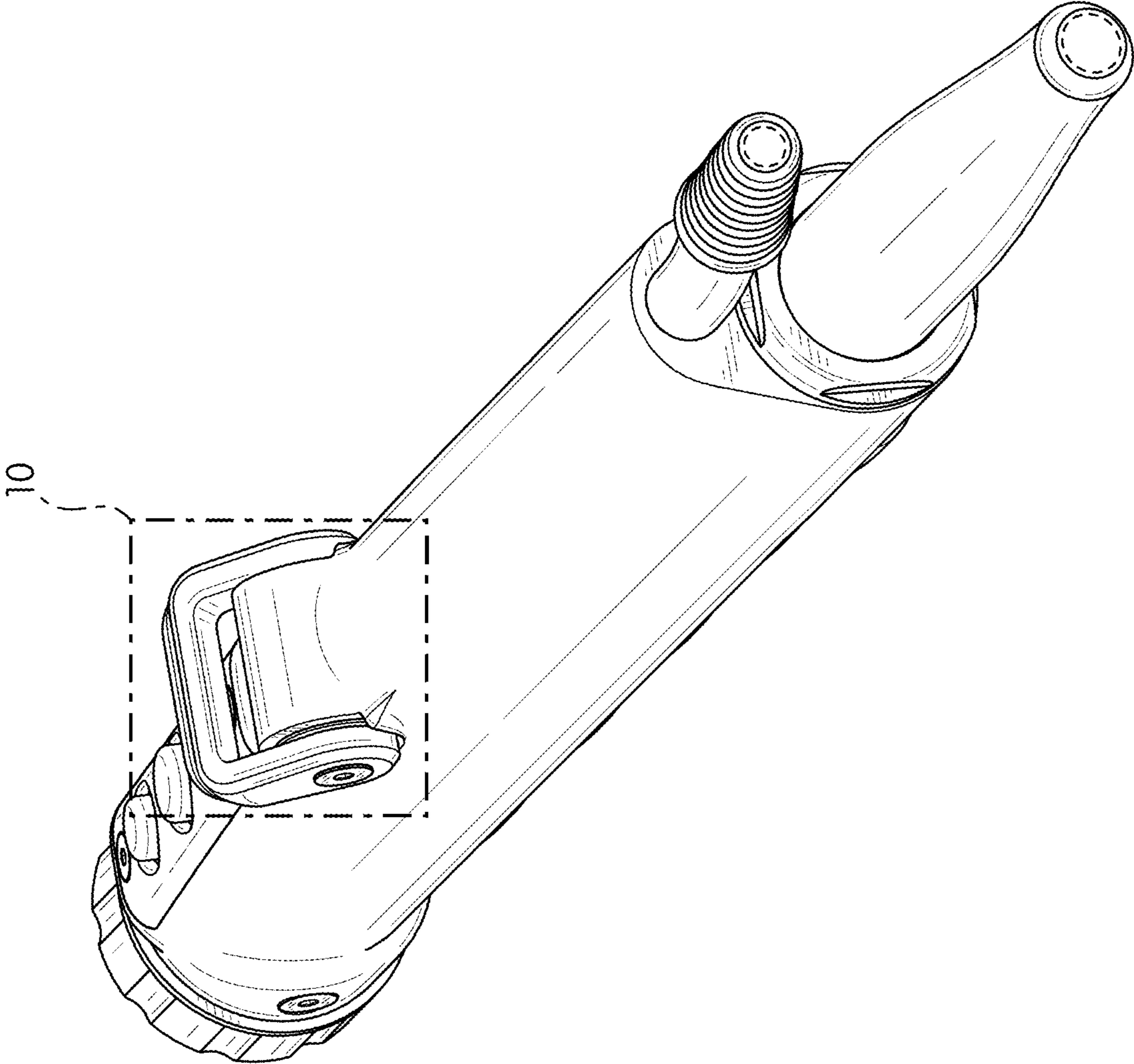


FIG. 9

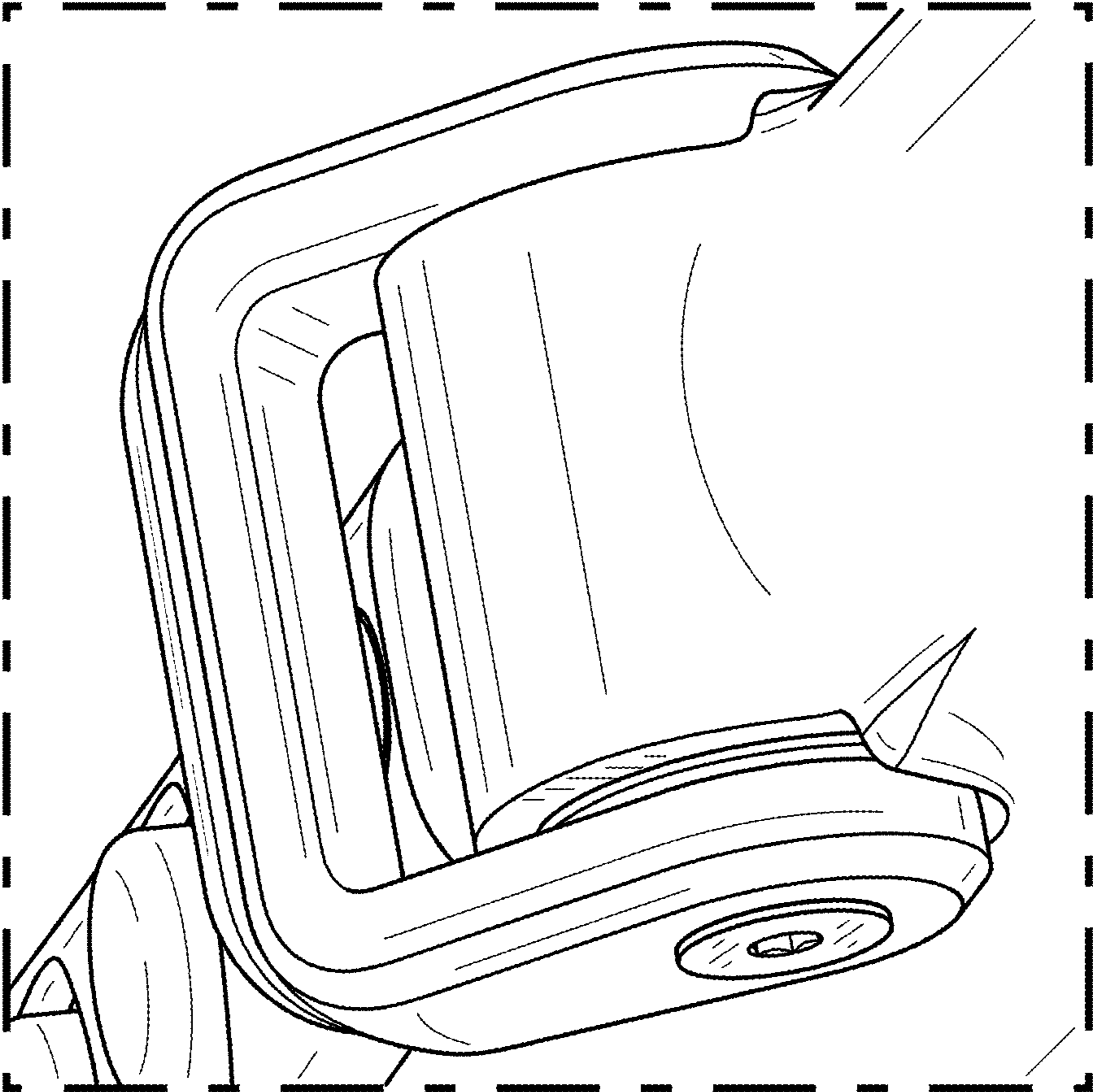


FIG. 10

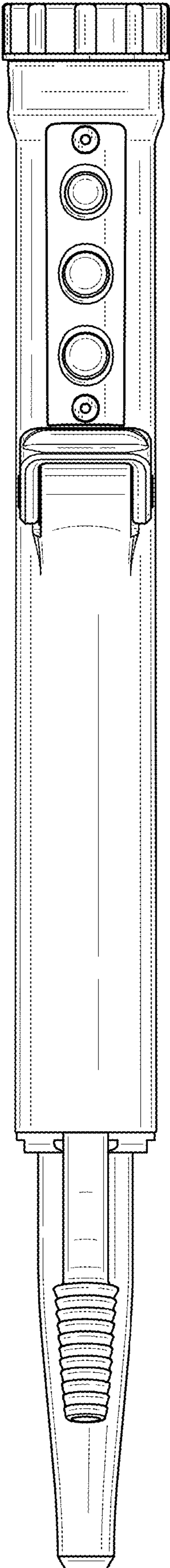


FIG. 11

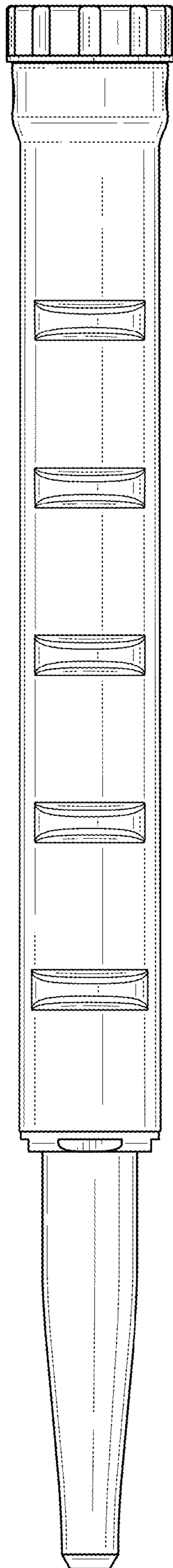


FIG. 12

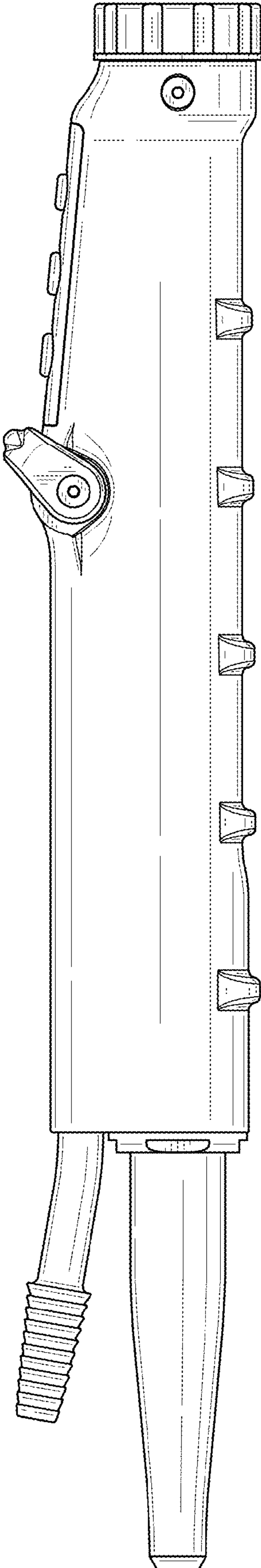


FIG. 13

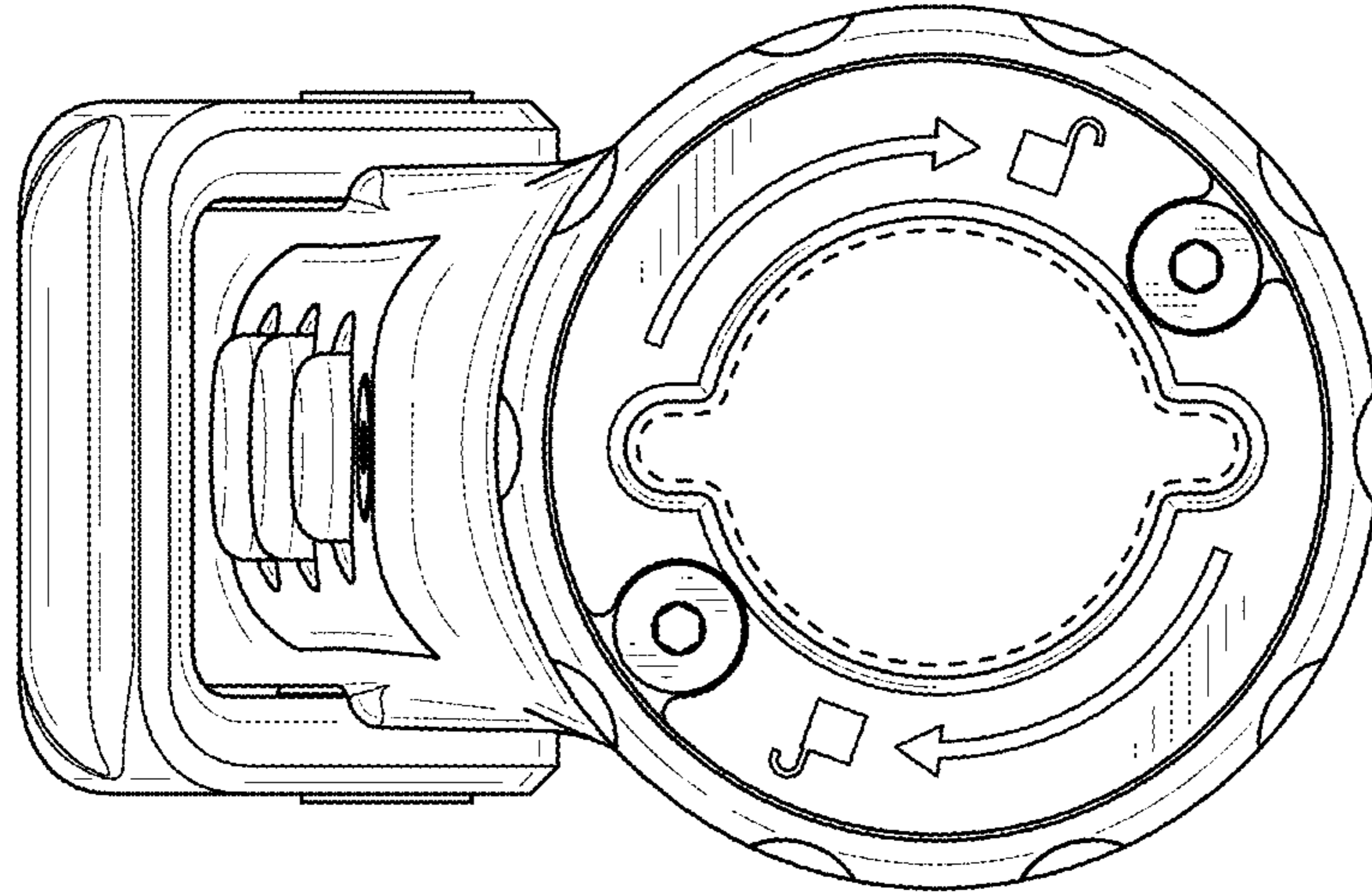


FIG. 14

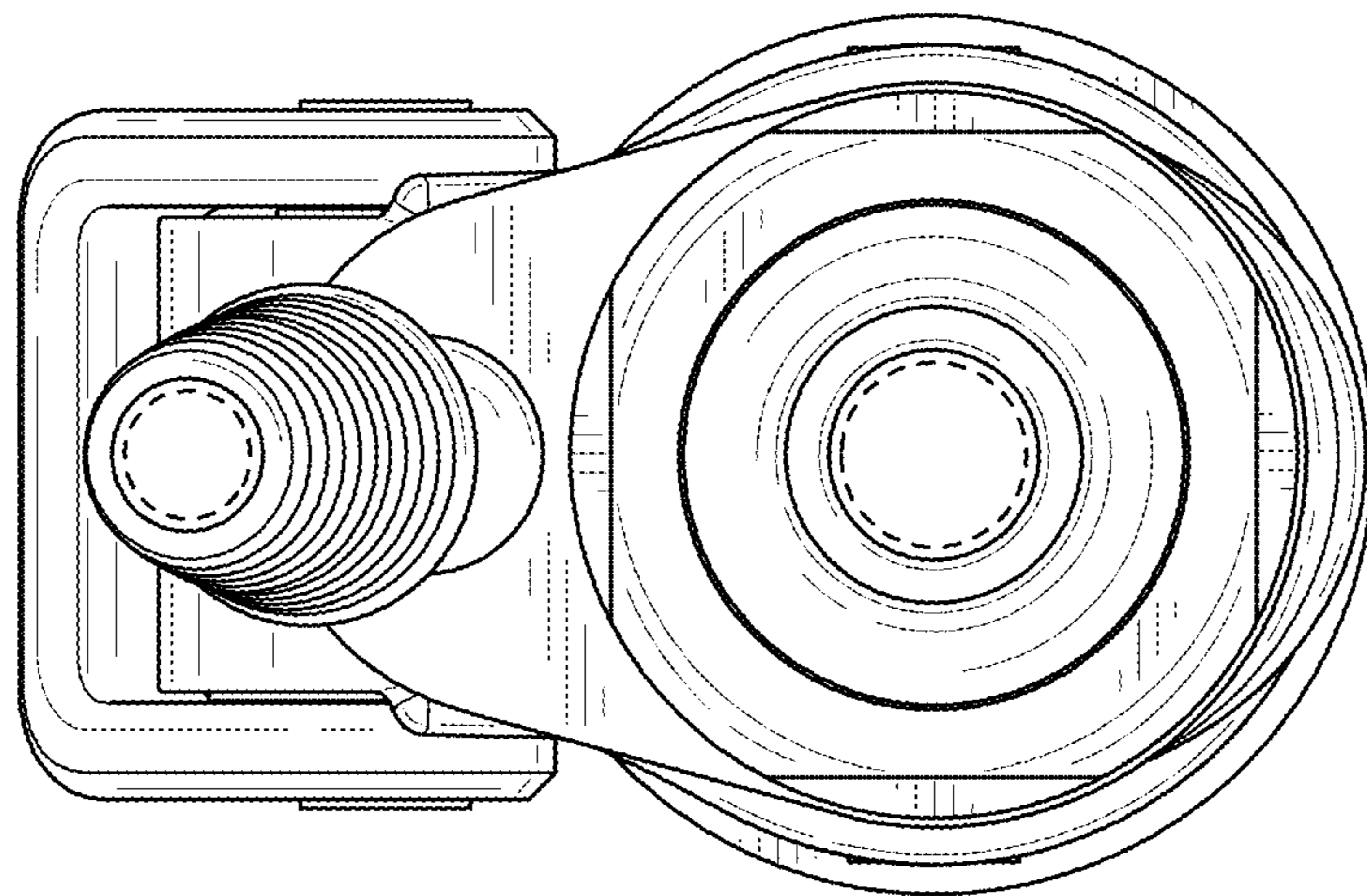


FIG. 15