



US00D977094S

(12) **United States Design Patent** (10) **Patent No.:** **US D977,094 S**
Anderson-Bolden et al. (45) **Date of Patent:** **** Jan. 31, 2023**

(54) **TIP ASSEMBLY FOR A CRYOGENIC DEVICE**

(71) Applicant: **Pacira CryoTech, Inc.**, Parsippany, NJ (US)

(72) Inventors: **Erika Danielle Anderson-Bolden**, Fremont, CA (US); **Eric T. Johansson**, Dublin, CA (US); **Jeffrey N. Gamelsky**, Palo Alto, CA (US)

(73) Assignee: **Pacira CryoTech, Inc.**, Tampa, FL (US)

(**) Term: **15 Years**

(21) Appl. No.: **29/780,339**

(22) Filed: **Apr. 23, 2021**

(51) **LOC (14) Cl.** **24-02**

(52) **U.S. Cl.**
USPC **D24/130; D24/127**

(58) **Field of Classification Search**
USPC D24/129, 130, 112, 113, 108, 127, 186, D24/222, 144, 146, 147
CPC A61M 5/20; A61M 5/315; A61M 5/24; A61M 5/322; A61M 37/0015
See application file for complete search history.

(56) **References Cited**

U.S. PATENT DOCUMENTS

D657,444	S *	4/2012	Kobayashi	D24/108
9,289,559	B2 *	3/2016	Pedersen	A61M 5/20
D801,523	S *	10/2017	Khoury	D24/130
D864,391	S *	10/2019	Sweeney	D24/146
D882,070	S *	4/2020	Inoh	D24/112
10,661,067	B2 *	5/2020	Kodama	A61M 37/0015
10,695,548	B1 *	6/2020	Kaspar	A61K 31/00
D925,035	S *	7/2021	Zhang	A61M 37/0076
					D24/144
11,097,100	B2 *	8/2021	Seo	A61M 37/00

D941,467	S *	1/2022	Kang	D24/146
2009/0057167	A1 *	3/2009	Rathert	A61F 2/1691
					206/205
2019/0009084	A1 *	1/2019	Stadelmann	A61M 37/00
2021/0121219	A1 *	4/2021	Huffmaster	A61B 18/02

FOREIGN PATENT DOCUMENTS

EM 008728224-0002 * 10/2021

OTHER PUBLICATIONS

Overa° System Se up, Iovera, Youtube, [Post DAtE: May 26, 2020], [Site seen: Sep. 15, 2022], Seen at URL: <https://www.youtube.com/watch?v=B--LxqZvQL0> (Year: 2020).*

(Continued)

Primary Examiner — Natasha Vujcic
Assistant Examiner — Gilbert B Ford

(74) *Attorney, Agent, or Firm* — Kilpatrick Townsend & Stockton LLP

(57) **CLAIM**

The ornamental design for a tip assembly for a cryogenic device, as shown and described.

DESCRIPTION

FIG. 1 is a top isometric view of a tip assembly for a cryogenic device.

FIG. 2 is a bottom isometric view of the assembly of FIG. 1.

FIG. 3 is a front view of the assembly of 1.

FIG. 4 is a back view of the assembly of 1.

FIG. 5 is a left side view of the assembly of 1.

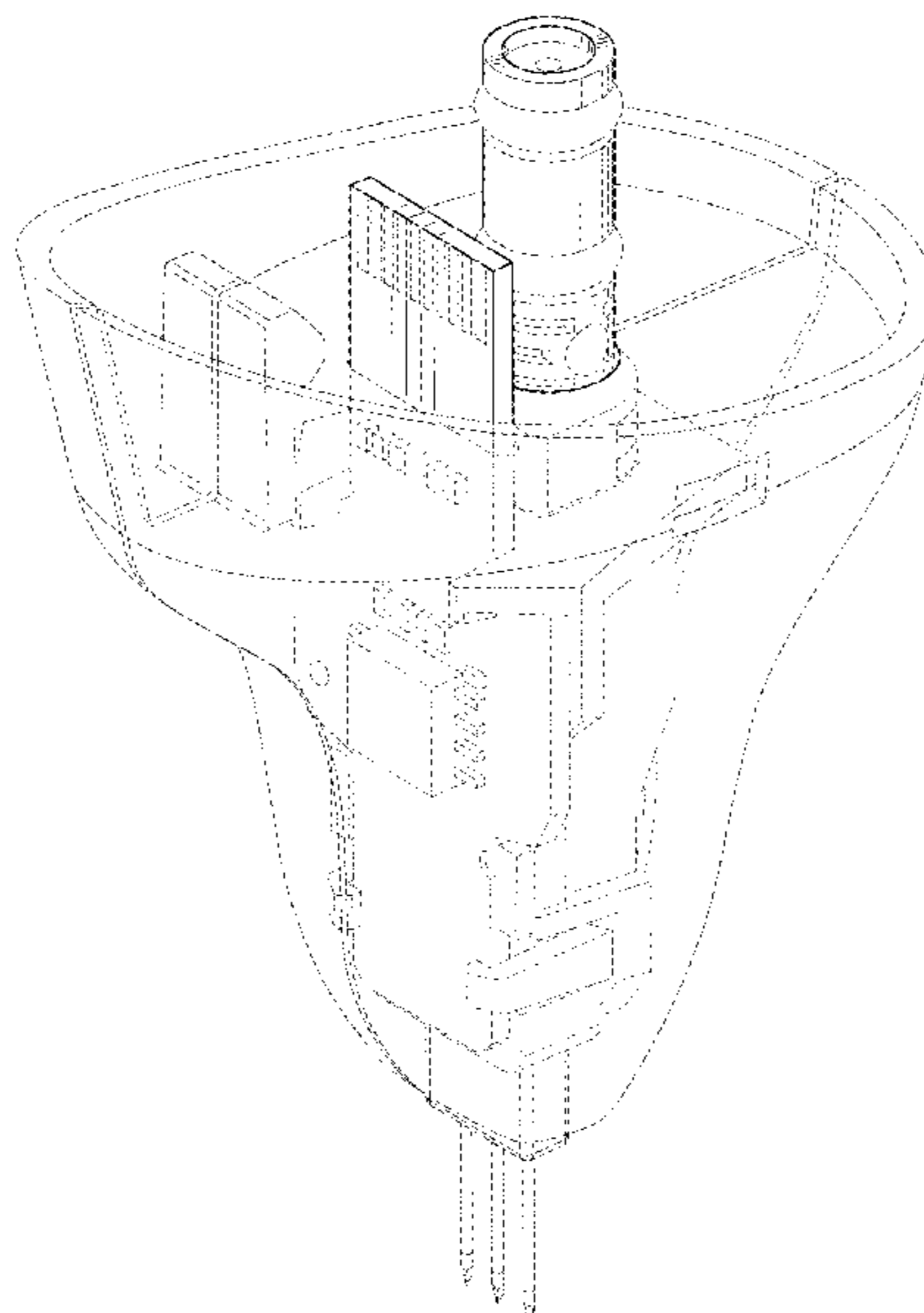
FIG. 6 is a right side view of the assembly of 1.

FIG. 7 is a top view of the assembly of 1; and,

FIG. 8 is a bottom view of the assembly of 1.

The broken lines in the drawings illustrate portions of the tip assembly for a cryogenic device that form no part of the claimed design.

1 Claim, 8 Drawing Sheets



(56)

References Cited

OTHER PUBLICATIONS

Author unknown, "Myoscience Launches New Smart Tip For Iovera System," Medical Product Outsourcing, [Post date: Feb. 28, 2019], [Site seen Sep. 15, 2022], Seen at URL: https://www.mpo-mag.com/contents/view_breaking-news/2019-02-28/myoscience-launches-new-smart-tip-for-iovera-system/ (Year: 2019).*

* cited by examiner

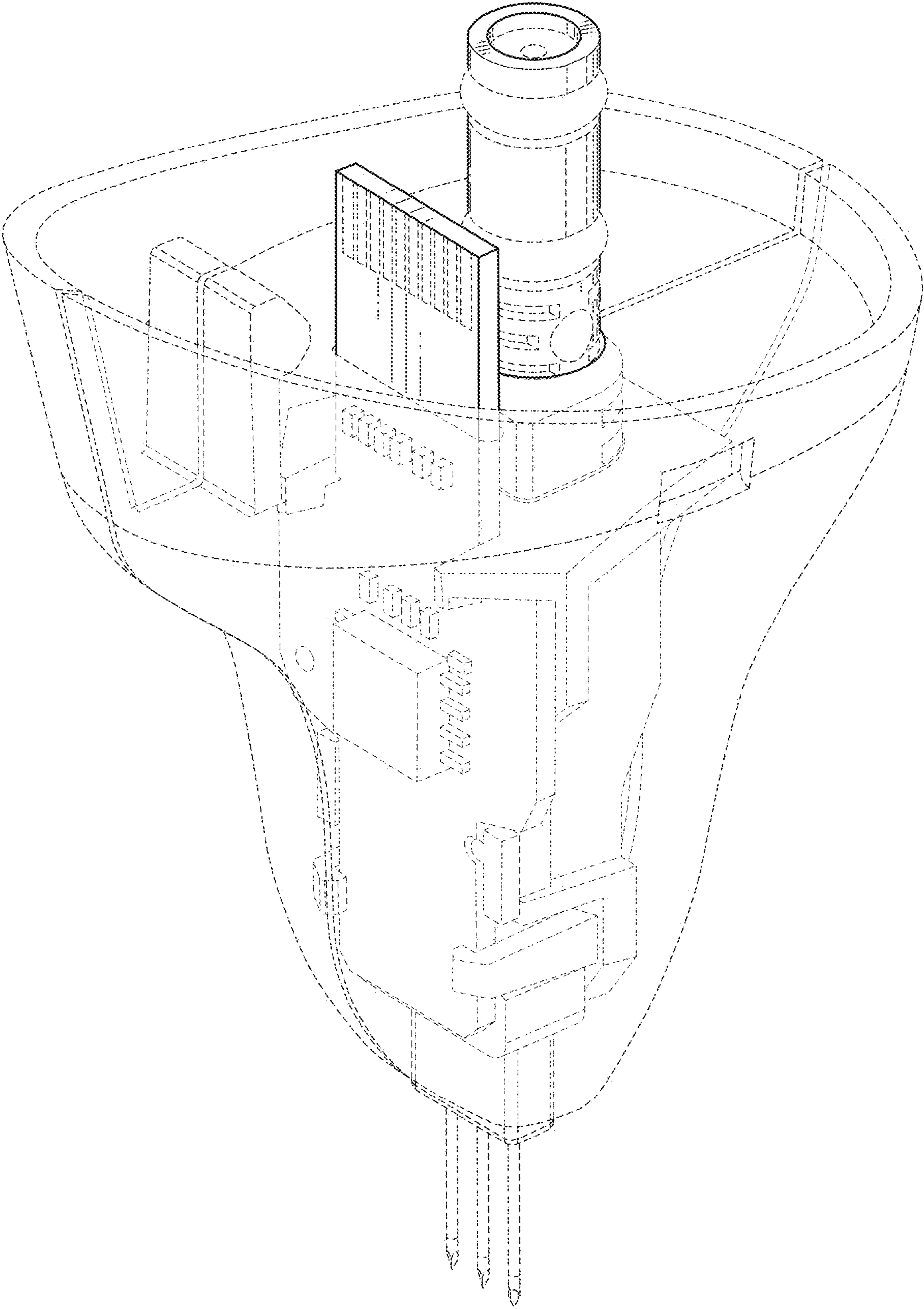


FIG. 1

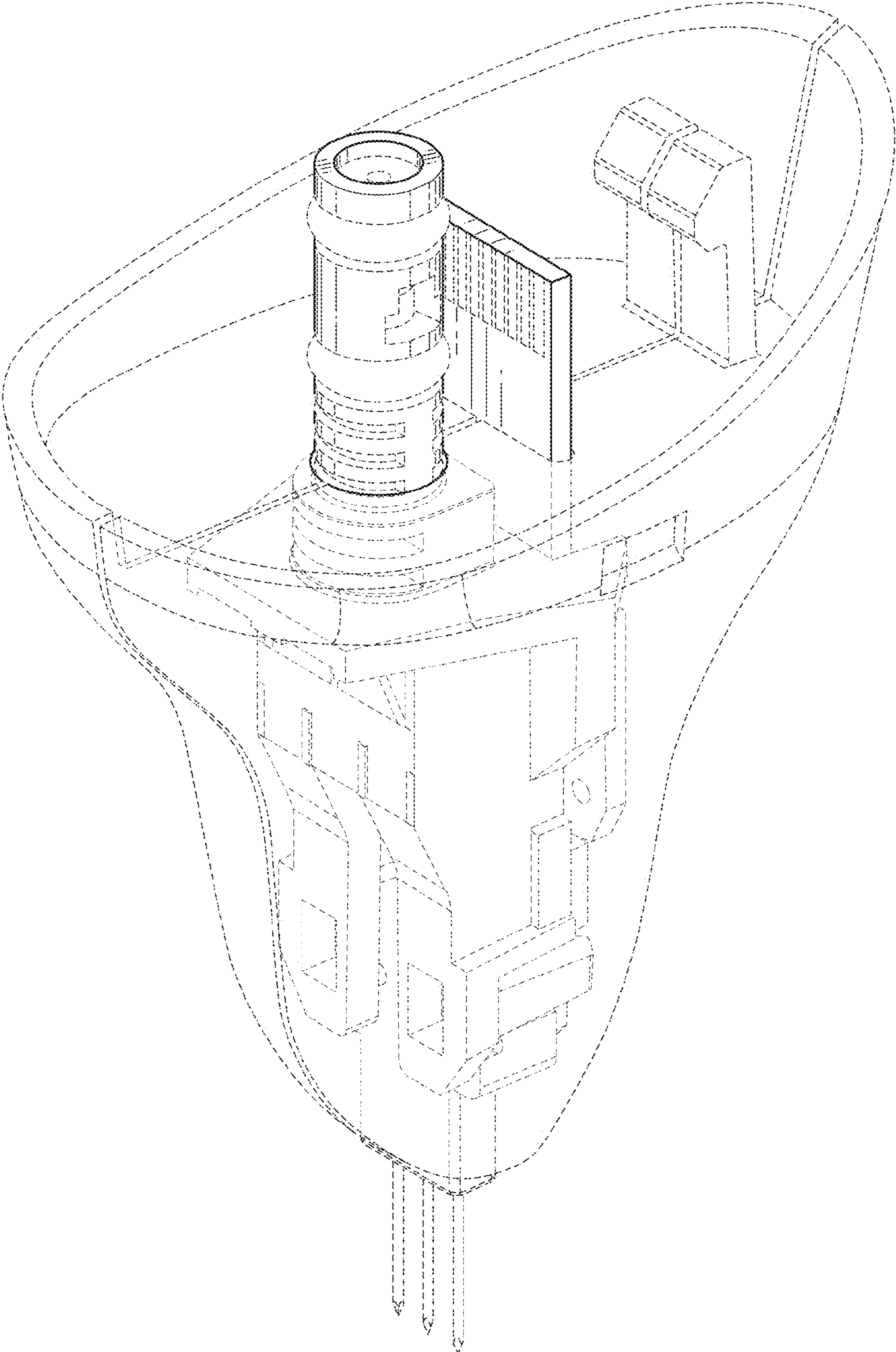


FIG. 2

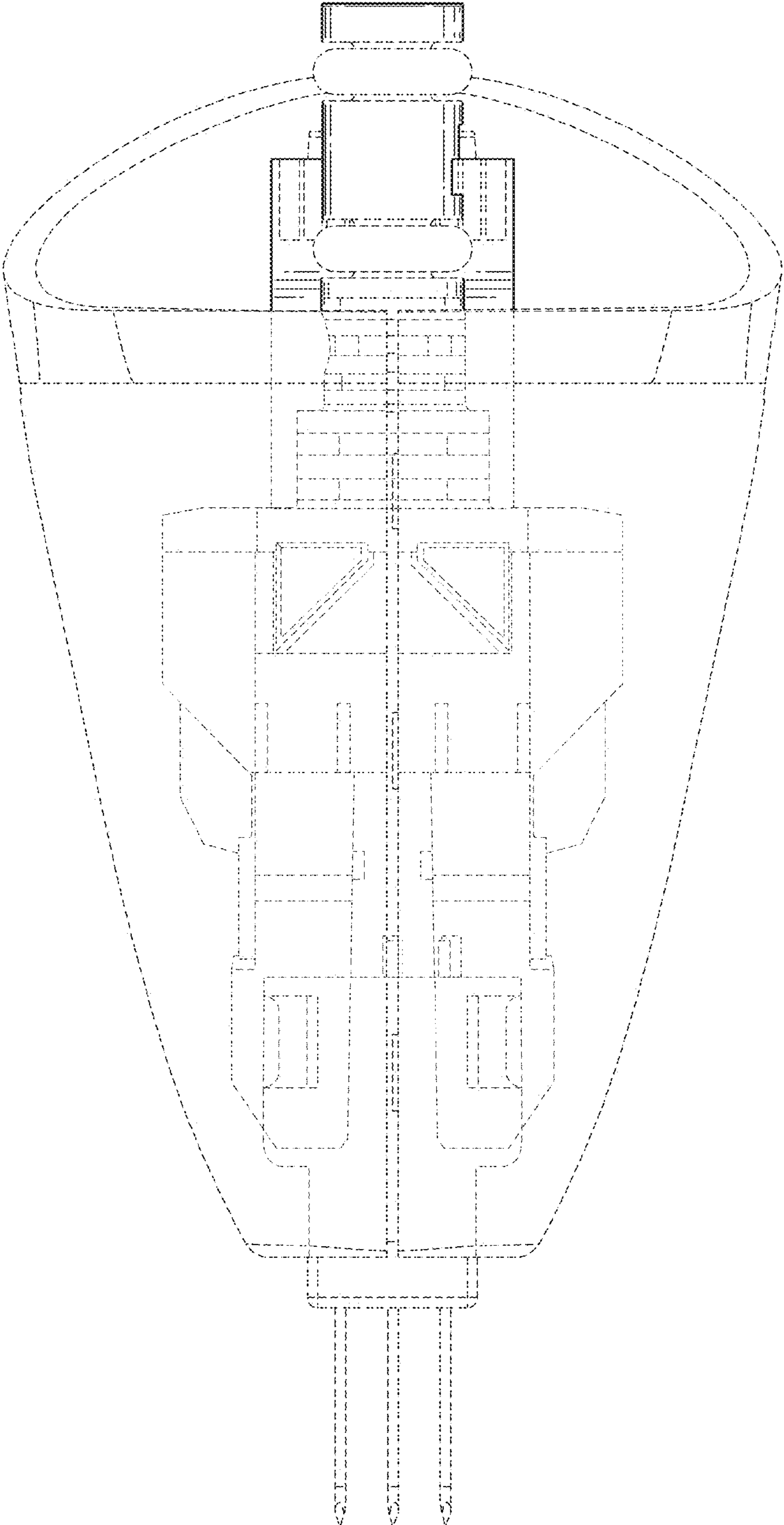


FIG. 3

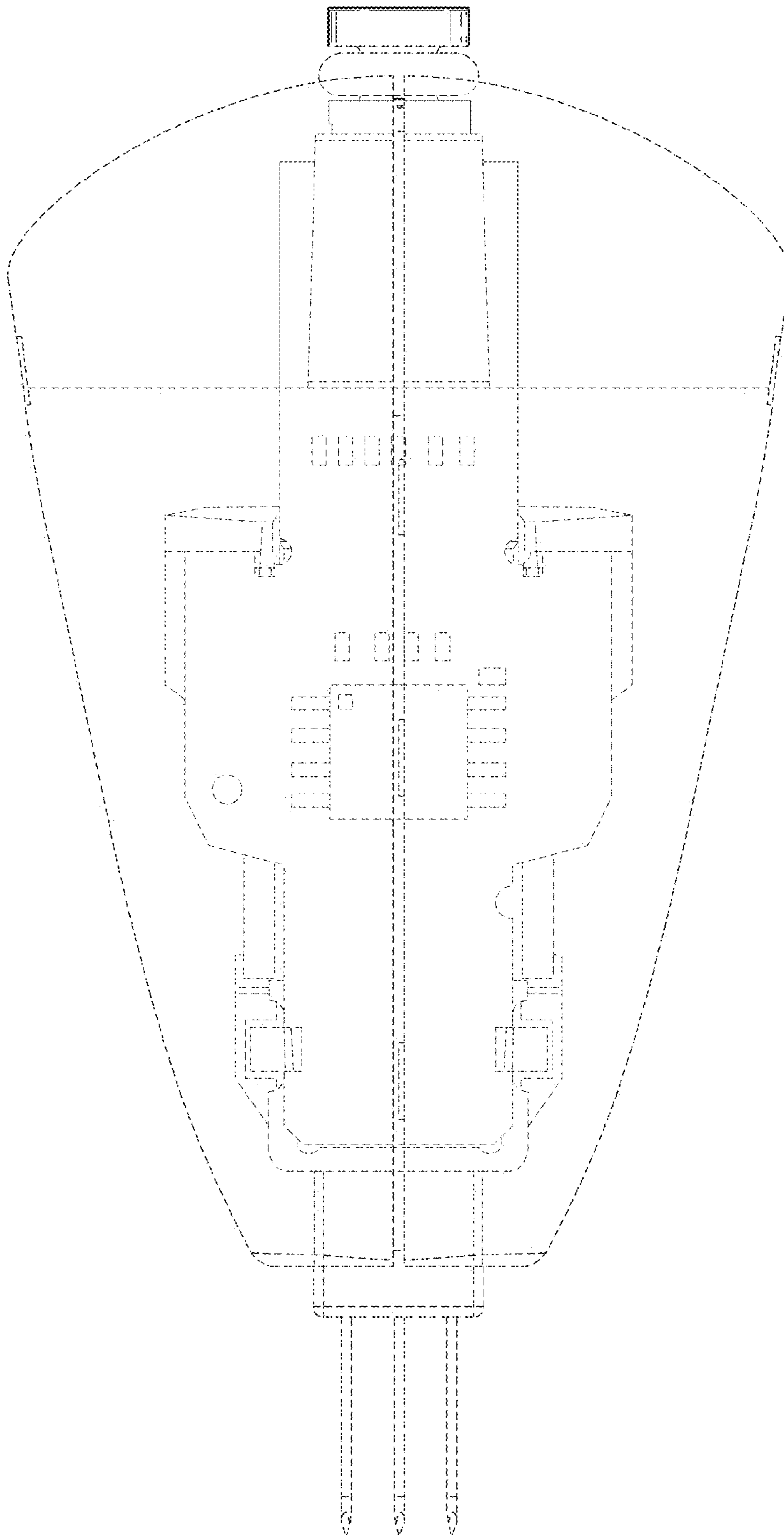


FIG. 4

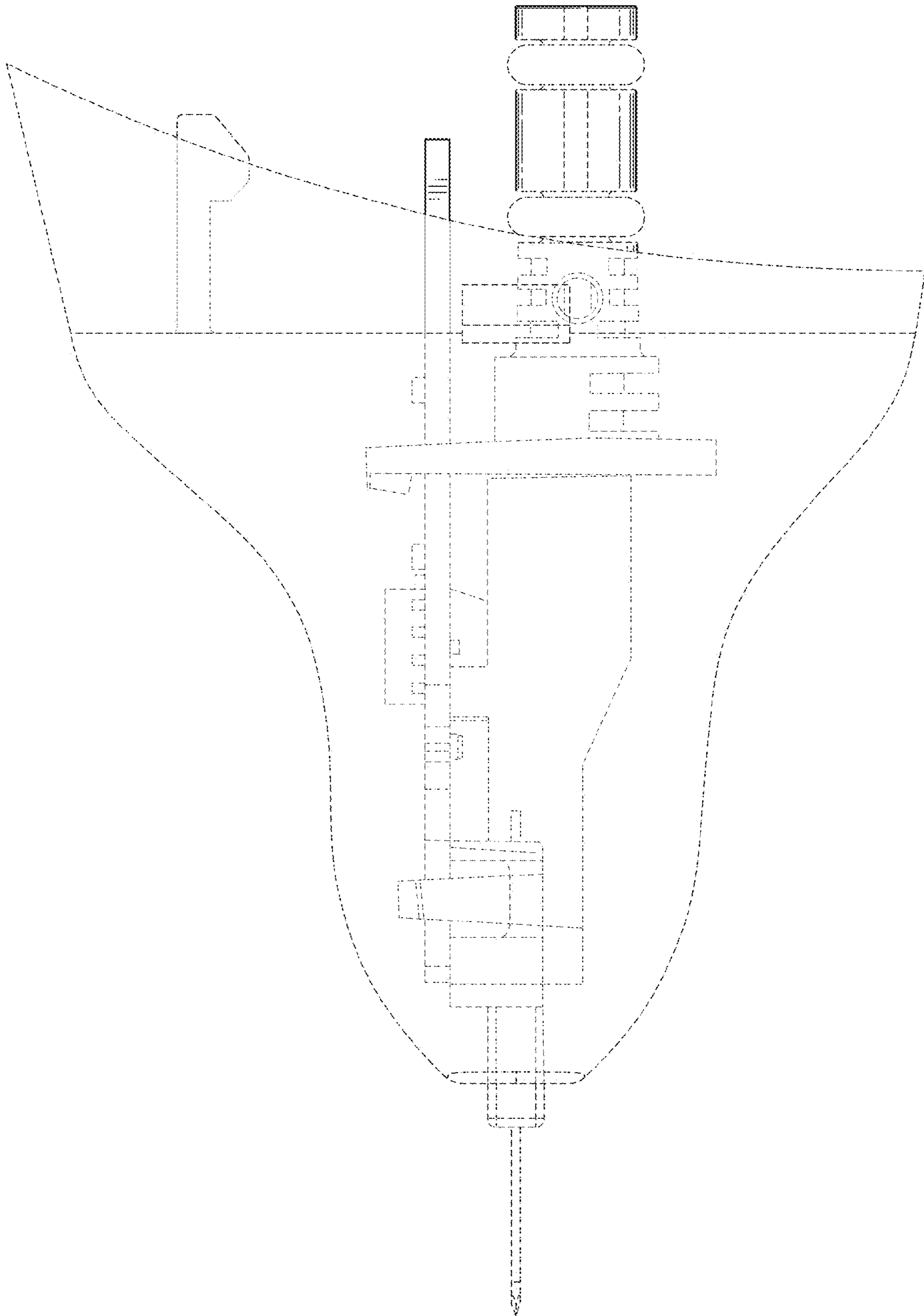


FIG. 5

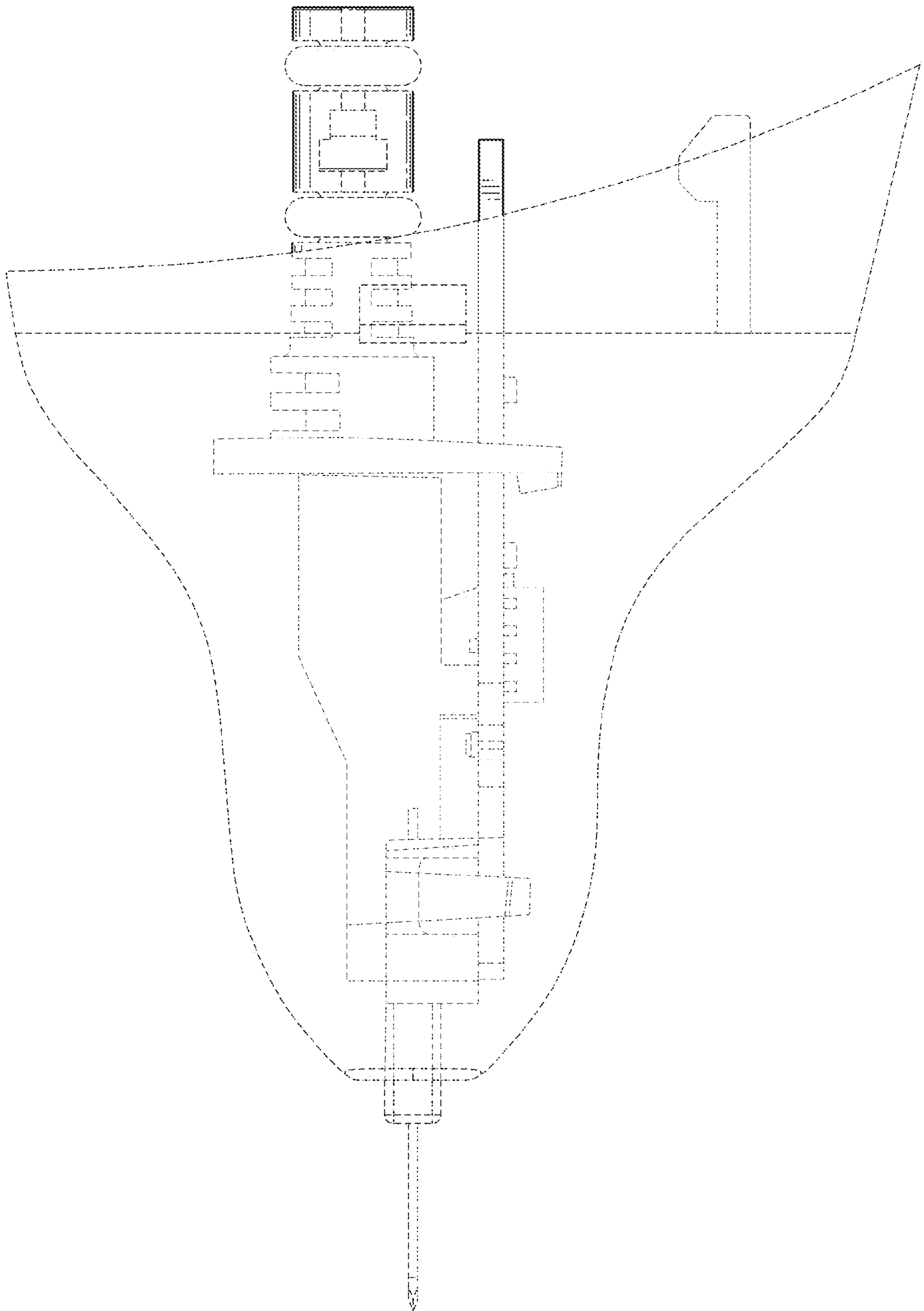


FIG. 6

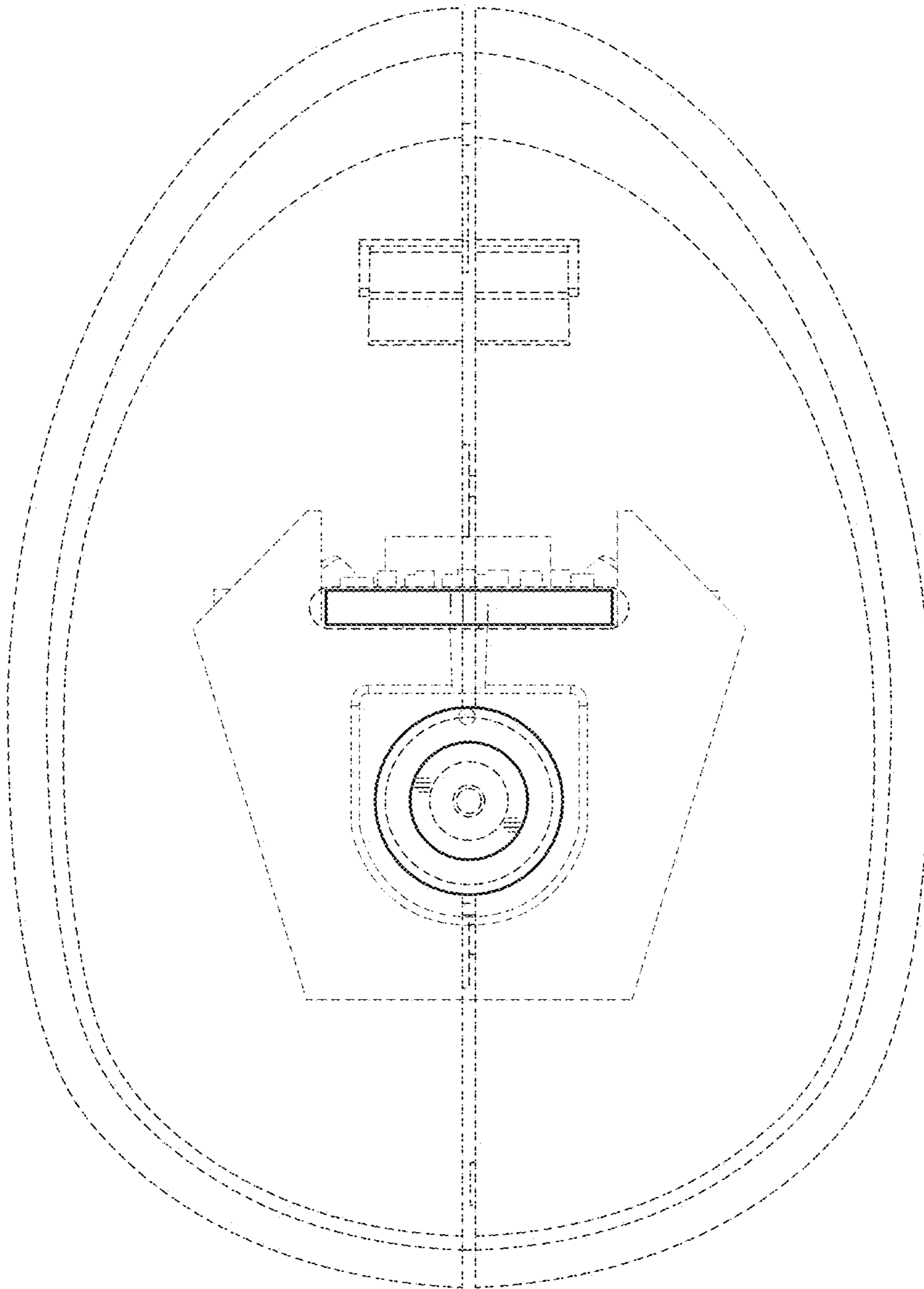


FIG. 7

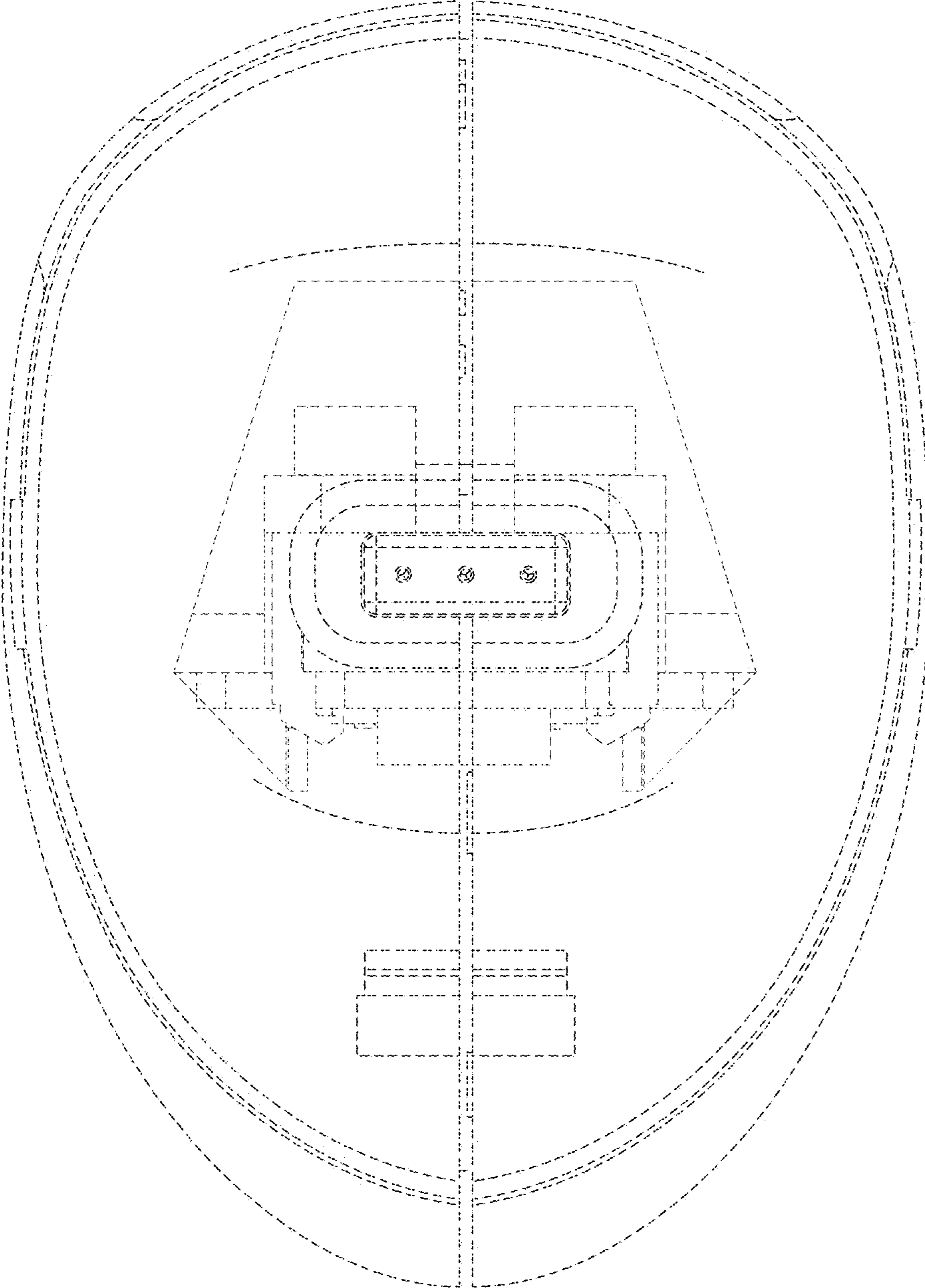


FIG. 8