



US00D977093S

(12) **United States Design Patent**
Uridil et al.

(10) **Patent No.:** **US D977,093 S**
(45) **Date of Patent:** **** Jan. 31, 2023**

(54) **CONDUIT**

(71) Applicant: **Medline Industries, LP**, Northfield, IL (US)

(72) Inventors: **Morgan Uridil**, Evanston, IL (US);
Douglas Komandt, Chicago, IL (US);
Bahram Kevin Kayvani, Chicago, IL (US);
Michael Turturro, Arlington Heights, IL (US)

(73) Assignee: **Medline Industries, LP**, Northfield, IL (US)

(**) Term: **15 Years**

(21) Appl. No.: **29/744,665**

(22) Filed: **Jul. 30, 2020**

(51) **LOC (14) Cl.** **24-02**

(52) **U.S. Cl.**
USPC **D24/129**

(58) **Field of Classification Search**
USPC D24/127-129, 112-113, 133, 110, 110.4,
D24/110.6, 186, 143; D23/259, 262, 263
(Continued)

(56) **References Cited**

U.S. PATENT DOCUMENTS

2,236,802 A * 4/1941 McDonald F16L 7/00
D23/266
3,169,528 A * 2/1965 Knox, III A61M 25/09033
433/91

(Continued)

FOREIGN PATENT DOCUMENTS

CN 303793606 * 8/2016
EM 007463260-0005 * 3/2020

(Continued)

OTHER PUBLICATIONS

DFC—Double-wall Flexible Gas Vent Connector, HArt Cooley,
[Post date: May 18, 2013], [Site seen: Apr. 21, 2022], Seen at URL:

<https://www.hartandcooley.com/products/dfc/double-wall-flexible-gas-vent-connector> (Year: 2013).*

(Continued)

Primary Examiner — Natasha Vujcic

Assistant Examiner — Gilbert B Ford

(74) *Attorney, Agent, or Firm* — Fitch, Even, Tabin & Flannery LLP

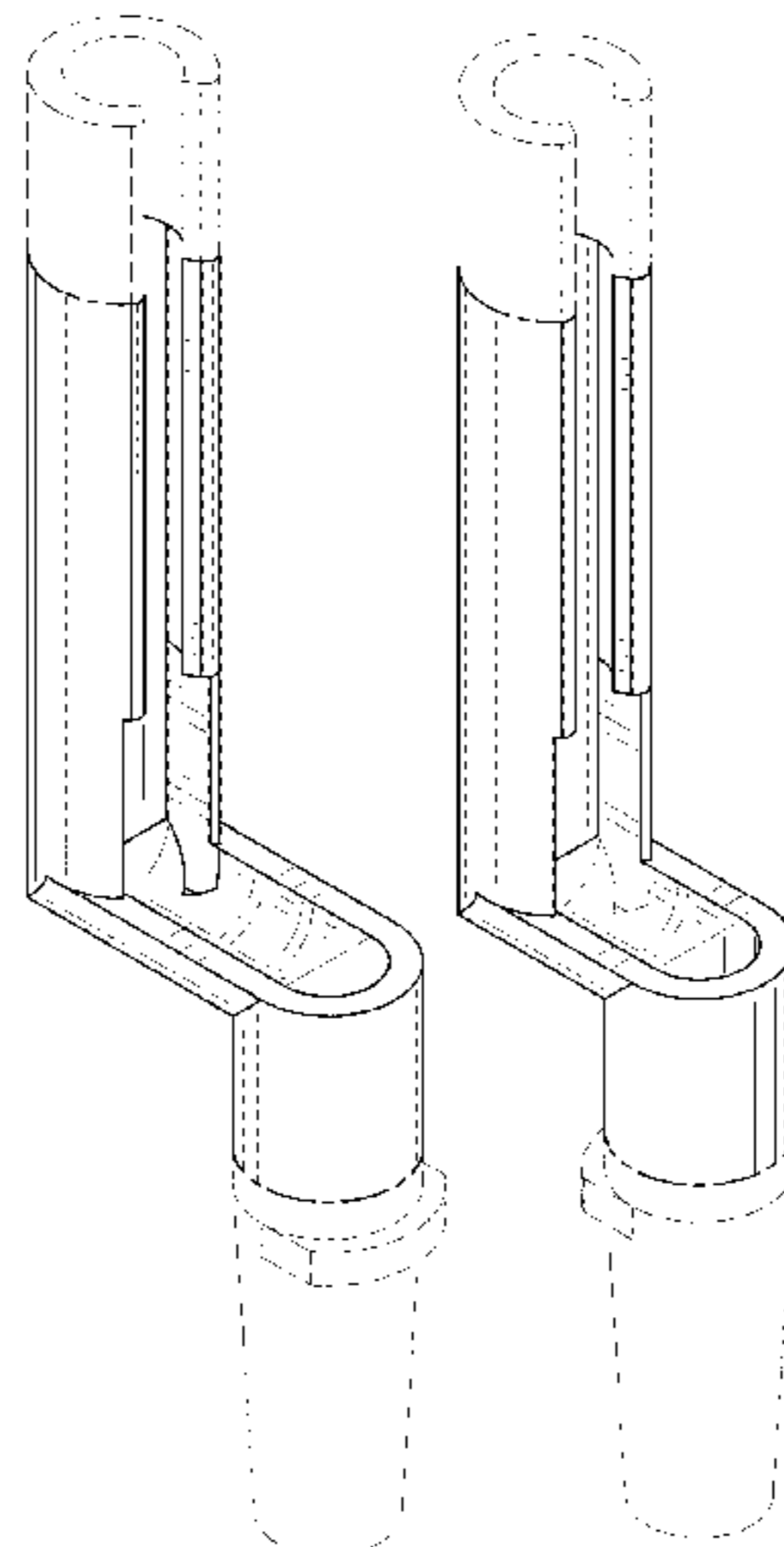
(57) **CLAIM**

The ornamental design for a conduit, as shown and described.

DESCRIPTION

FIG. 1 is a top, front perspective view of a conduit in accordance with a first embodiment of our new design; FIG. 2 is a bottom, rear perspective view thereof; FIG. 3 is a right side elevation view thereof; FIG. 4 is a left side elevation view thereof; FIG. 5 is a front elevation view thereof; FIG. 6 is a rear elevation view thereof; FIG. 7 is a top plan view thereof; FIG. 8 is a bottom plan view thereof; FIG. 9 is a section view taken along line 9-9 in FIG. 5; FIG. 10 is a top, front perspective view of a conduit in accordance with a second embodiment of our new design; FIG. 11 is a bottom, rear perspective view thereof; FIG. 12 is a right side elevation view thereof; FIG. 13 is a left side elevation view thereof; FIG. 14 is a front elevation view thereof; FIG. 15 is a rear elevation view thereof; FIG. 16 is a top plan view thereof; FIG. 17 is a bottom plan view thereof; and, FIG. 18 is a section view taken along line 18-18 in FIG. 14. The broken lines in the drawings illustrate portions of the conduit that form no part of the claimed design. The dot-dash lines define the boundary between claimed and unclaimed subject matter and form no part of the claimed design.

1 Claim, 16 Drawing Sheets



US D977,093 S

(58) **Field of Classification Search**
 CPC . B65D 83/14; A61M 25/065; A61M 25/0612;
 A61M 25/00; A61M 16/109; A61M
 16/1095
 See application file for complete search history.

9,814,819 B2 11/2017 Concepcion
 D866,748 S * 11/2019 Khabiri D24/129
 10,518,015 B2 12/2019 Concepcion
 10,596,532 B2 3/2020 Lee
 D920,504 S * 5/2021 Bauer D24/129
 11,185,646 B2 * 11/2021 Salegui Echeveste
 A61M 15/0085

(56) **References Cited**
 U.S. PATENT DOCUMENTS

4,585,399 A 4/1986 Baier
 5,057,076 A 10/1991 Polaschegg
 5,201,711 A 4/1993 Pasqualucci
 5,213,483 A 5/1993 Flaherty
 5,242,279 A 9/1993 Knuth
 5,312,334 A 5/1994 Hara
 D348,097 S * 6/1994 Inda D23/263
 5,569,026 A 10/1996 Novak
 5,772,255 A 6/1998 Osborne
 5,876,371 A 3/1999 Yokoyama
 D488,545 S * 4/2004 Takamatu D23/266
 7,462,170 B2 12/2008 Fournie
 7,722,562 B2 5/2010 Hanlon
 7,722,573 B2 5/2010 Harr
 7,753,881 B2 7/2010 Fournie
 7,753,883 B2 7/2010 Fournie
 7,758,551 B2 7/2010 Wiesner
 7,763,005 B2 7/2010 Knauper
 D625,805 S * 10/2010 Hereford D24/129
 7,846,131 B2 12/2010 Hudson
 7,927,304 B2 4/2011 Hudson
 8,034,028 B2 10/2011 Fournie
 8,052,642 B2 11/2011 Harr
 8,052,643 B2 11/2011 Hudson
 8,142,399 B2 3/2012 Hanlon
 8,142,404 B2 3/2012 Knauper
 8,361,024 B2 1/2013 Fournie
 D676,941 S * 2/2013 Kluss D23/262
 9,192,709 B2 11/2015 Fontanazzi
 9,402,789 B2 8/2016 Knauper
 9,468,714 B2 10/2016 Butterfield
 D783,784 S * 4/2017 Bates-Hurtado D23/266
 D783,786 S * 4/2017 Madireddi D23/266
 D799,638 S * 10/2017 Janton D23/266

2003/0212381 A1 11/2003 Whitehead, III
 2005/0165304 A1 * 7/2005 Albertelli A61B 5/0813
 600/431
 2009/0139530 A1 * 6/2009 Landis A61M 16/0858
 128/207.15
 2009/0214365 A1 8/2009 Norman
 2011/0004143 A1 1/2011 Beiriger
 2011/0315611 A1 12/2011 Fulkerson
 2015/0021909 A1 * 1/2015 Gulliver A61B 5/082
 285/319
 2016/0121096 A1 5/2016 Rotem
 2016/0235938 A1 * 8/2016 Khabiri A61M 16/0816
 2018/0056024 A1 * 3/2018 Harrington A61M 16/161
 2018/0133667 A1 5/2018 Lee
 2018/0207389 A1 * 7/2018 Fyfe A61M 16/06
 2020/0000682 A1 1/2020 Hoffstetter
 2020/0018306 A1 1/2020 Leach
 2020/0054823 A1 2/2020 Baier
 2020/0179592 A1 6/2020 Adams
 2021/0316106 A1 * 10/2021 Canady A61M 16/024

FOREIGN PATENT DOCUMENTS

EM 008411334-0004 * 2/2021
 GB 6114358 * 1/2021
 KR 1020130099127 A 9/2013
 WO 2011008624 A2 1/2011

OTHER PUBLICATIONS

Vyair Medical 3215, AirLife® Connector, 1/EA (243789_EA)
 32151900, Air Life, Clean it Supply.com, [Post Date: unknown],
 [Site seen Apr. 21, 2022], Seen at URL: https://www.cleanitsupply.com/p-134650/vyair-medical-3215-airlife-connector-1-ea-243789_ea-32151900.aspx (Year: 2022).*

* cited by examiner

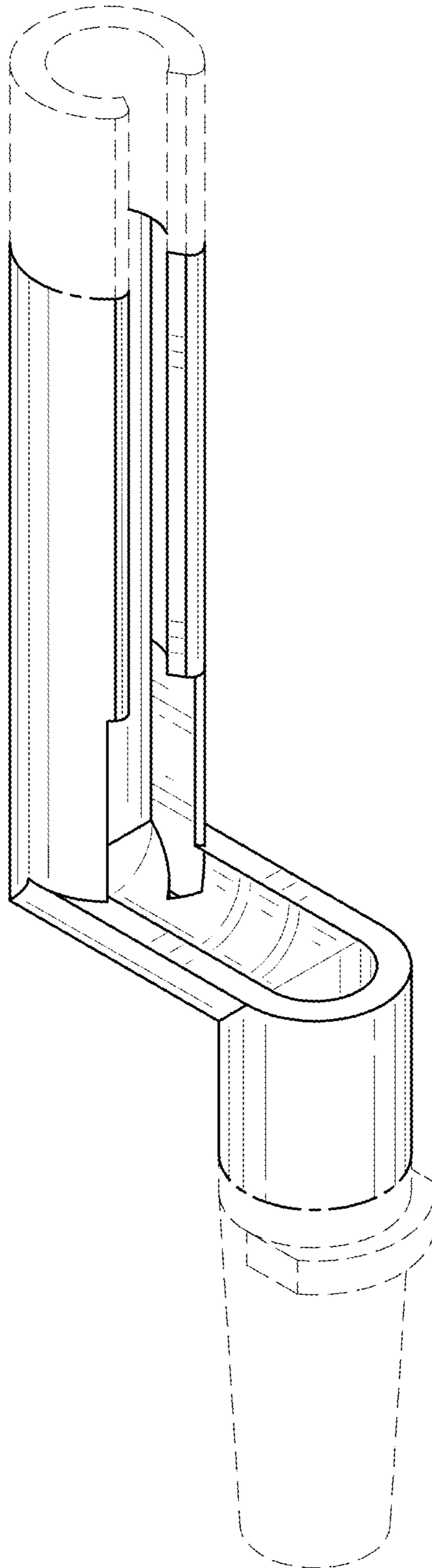


FIG. 1

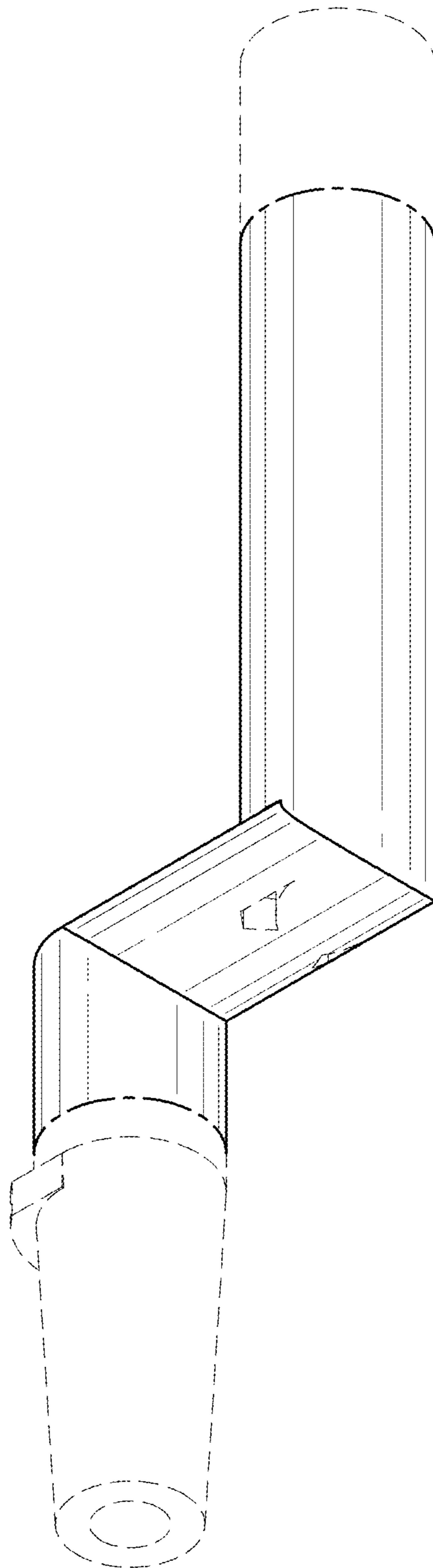


FIG. 2

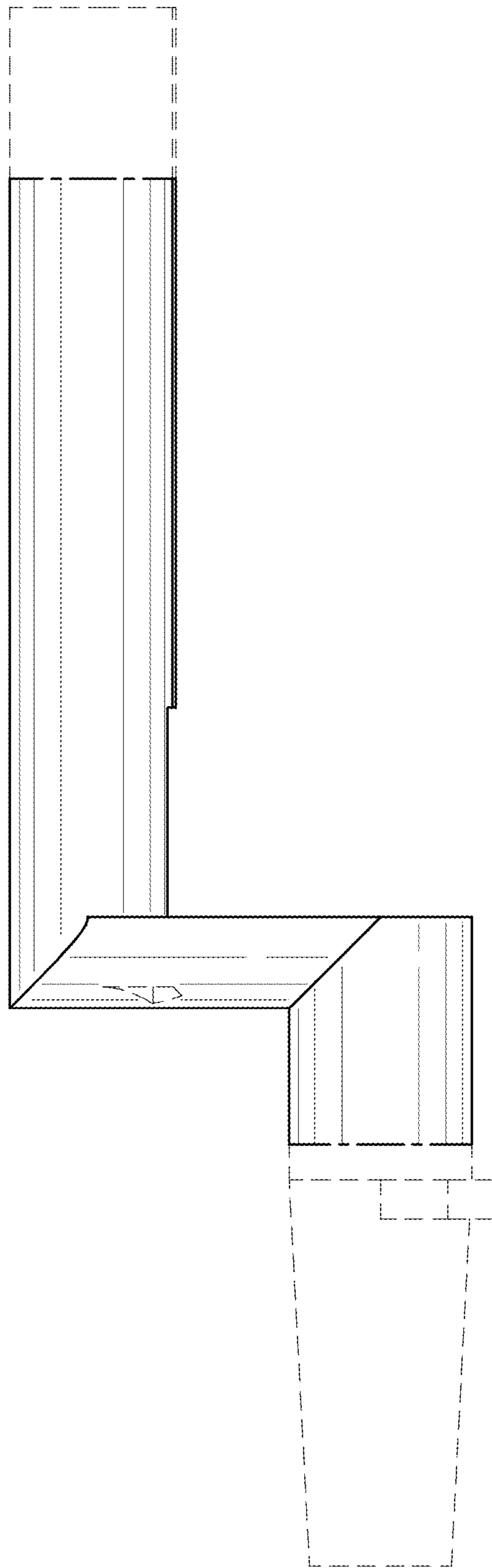


FIG. 3

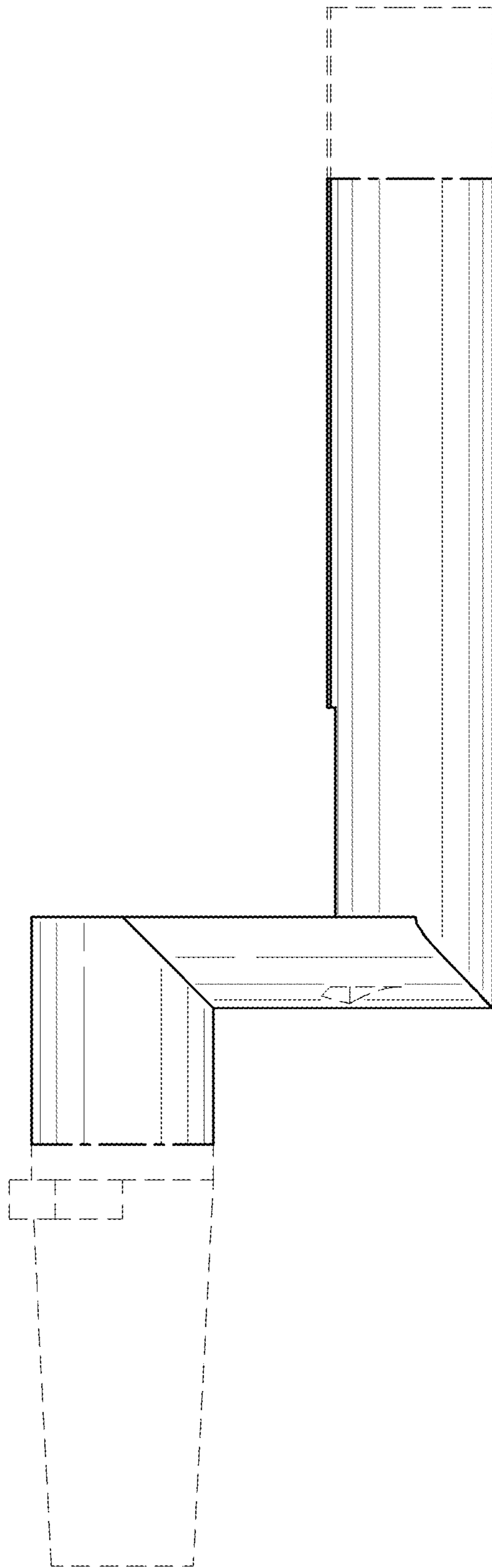


FIG. 4

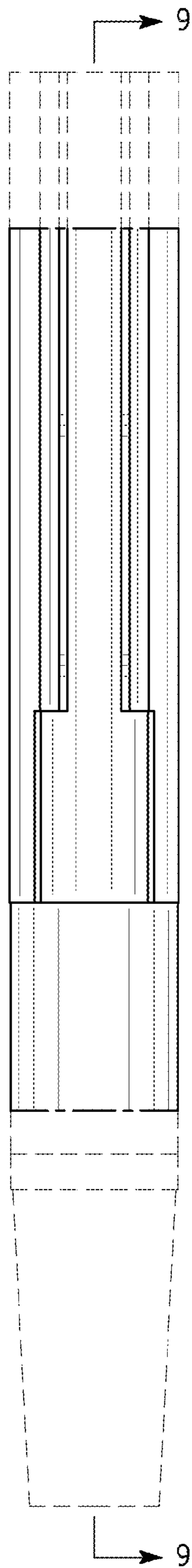


FIG. 5

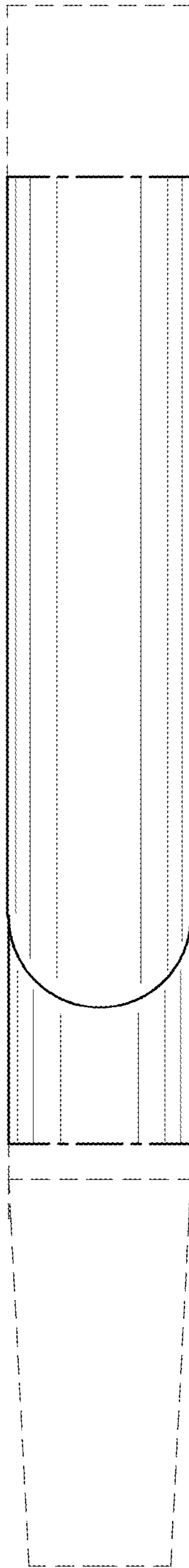


FIG. 6

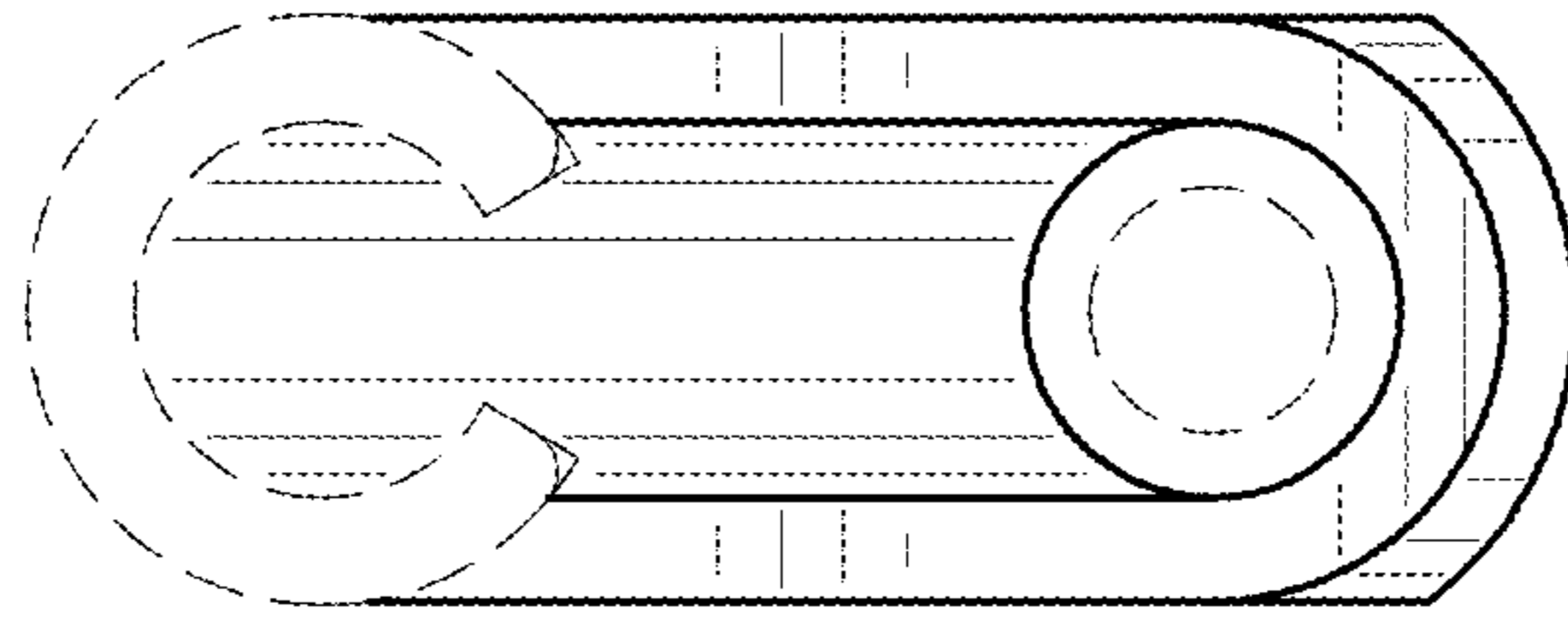


FIG. 7

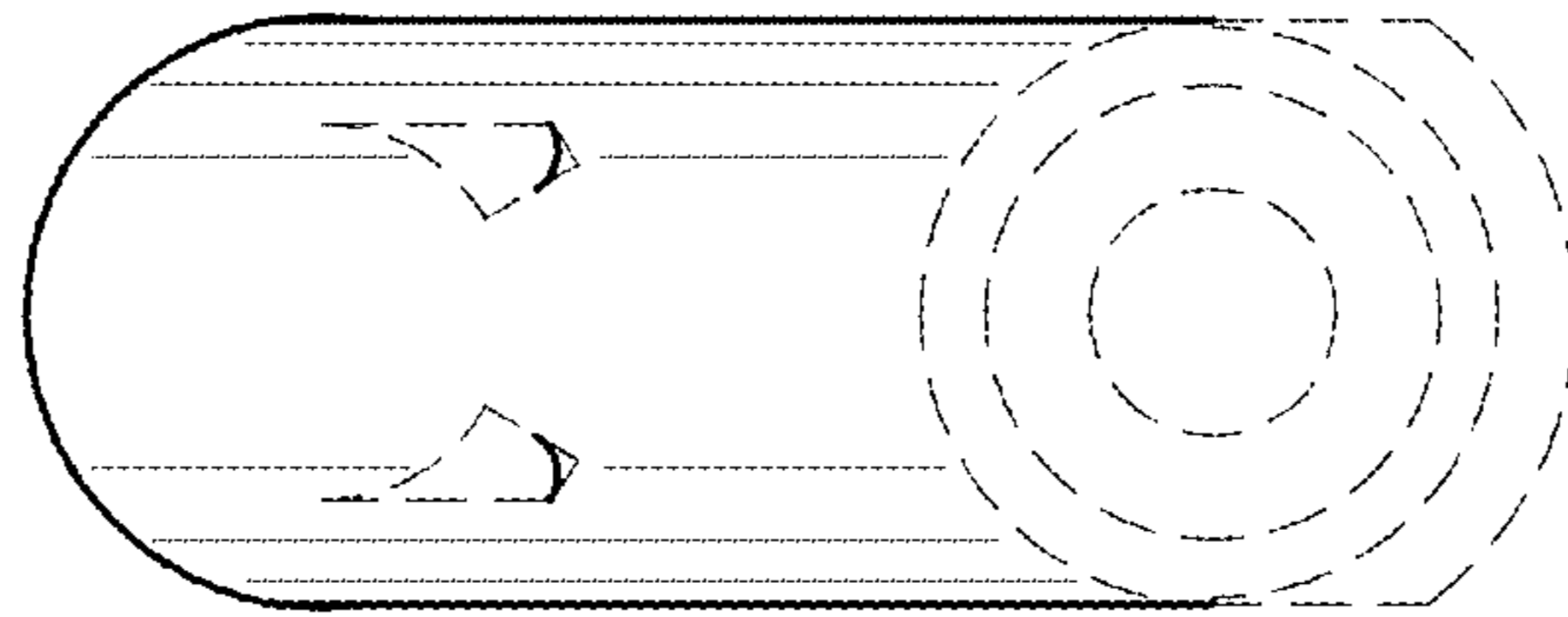


FIG. 8

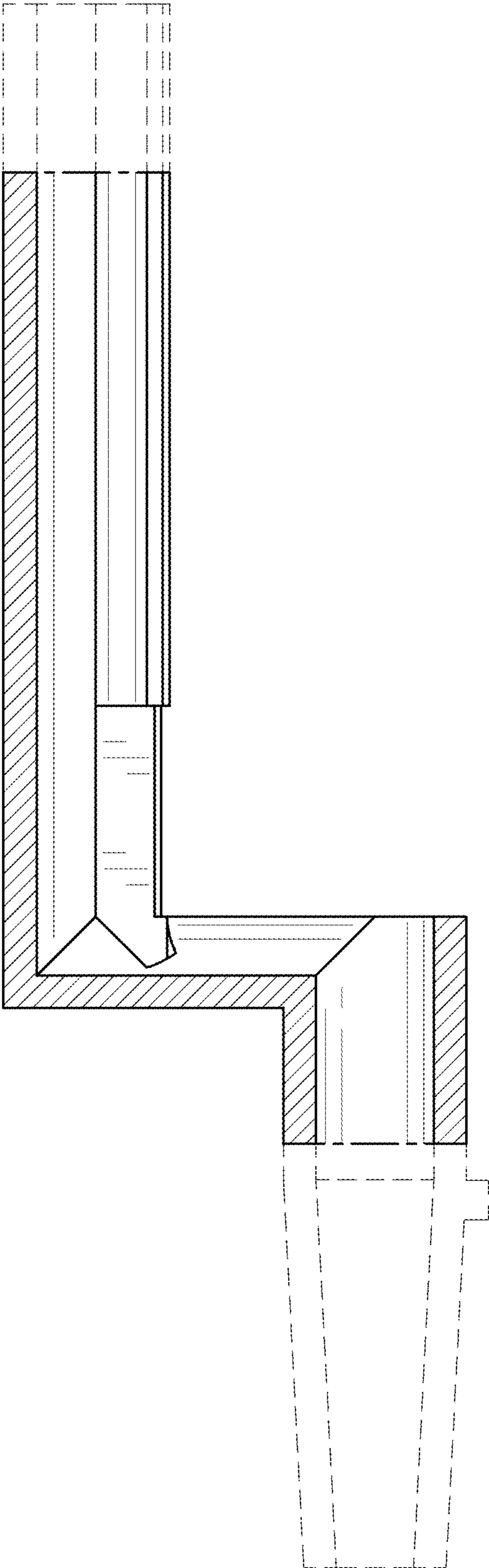


FIG. 9

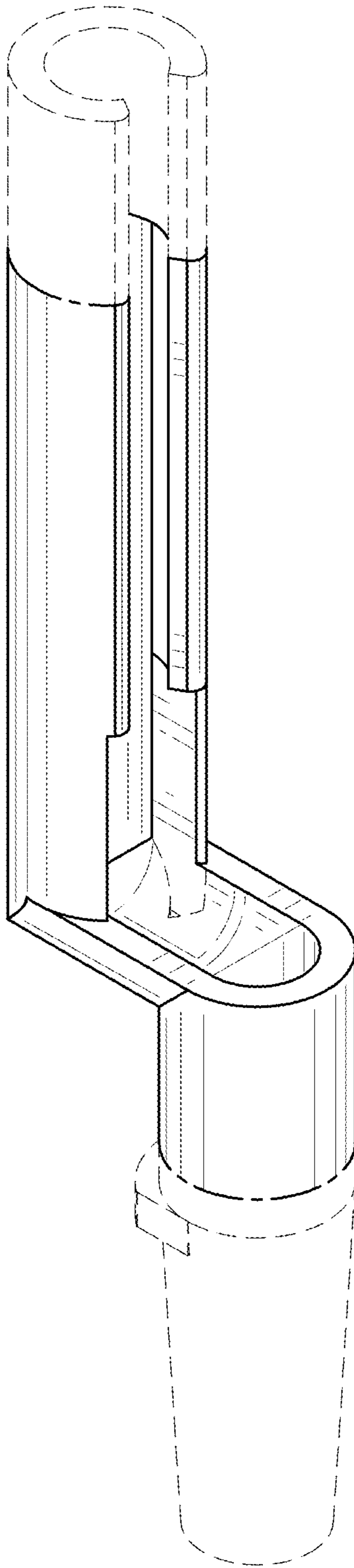


FIG. 10

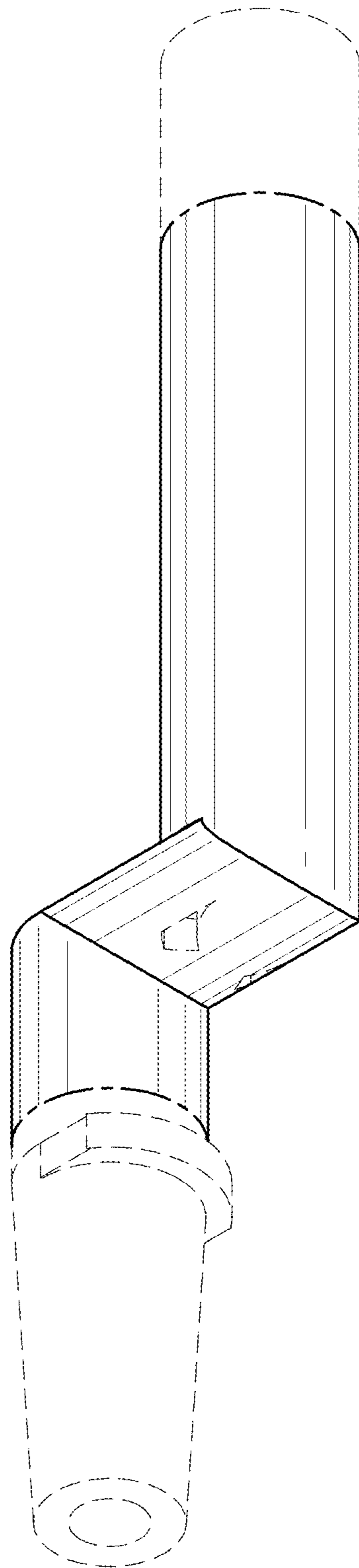


FIG. 11

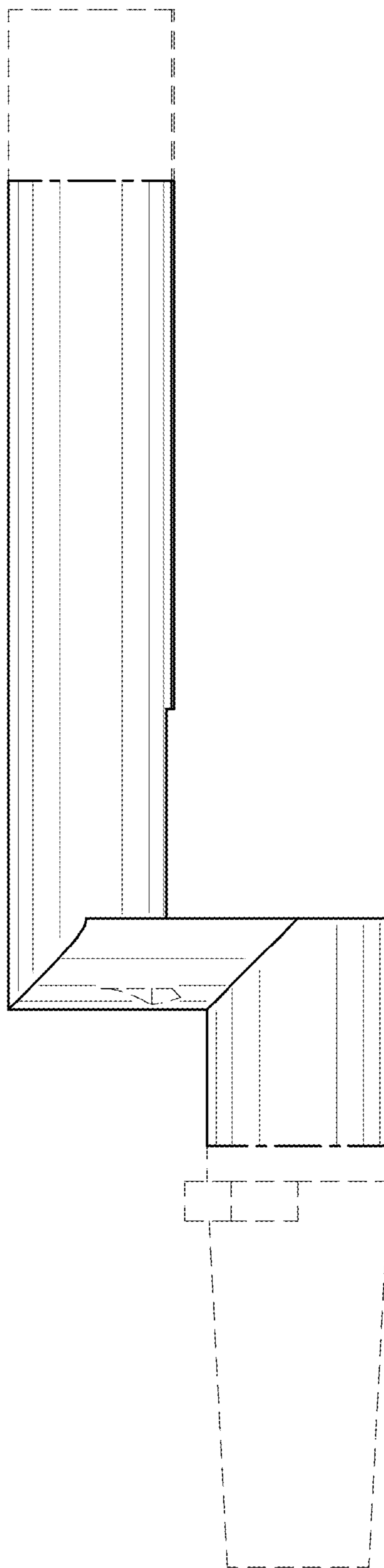


FIG. 12

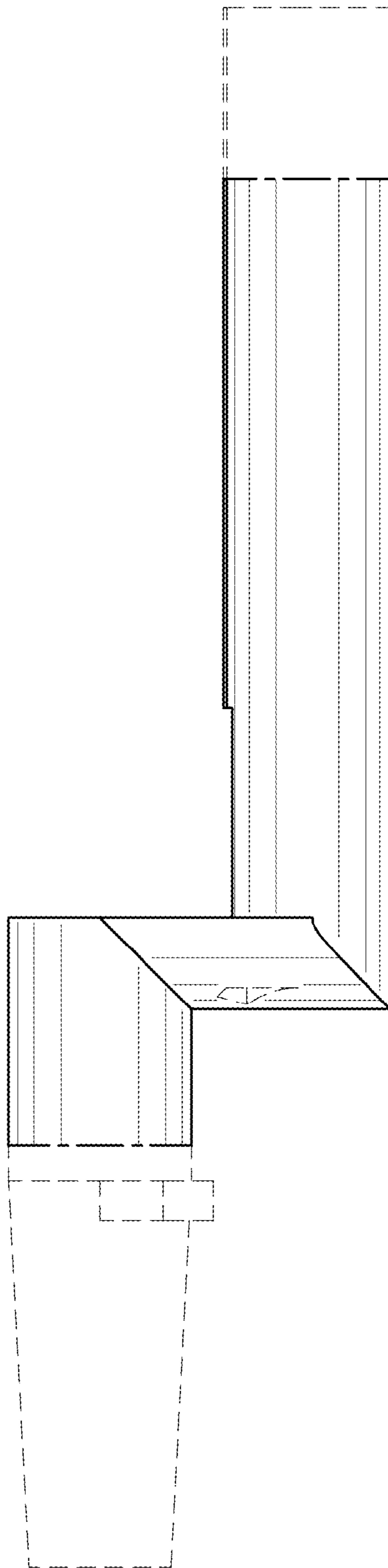


FIG. 13

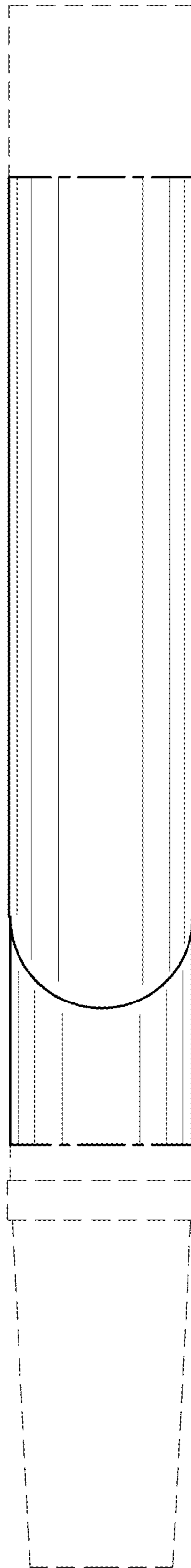


FIG. 15

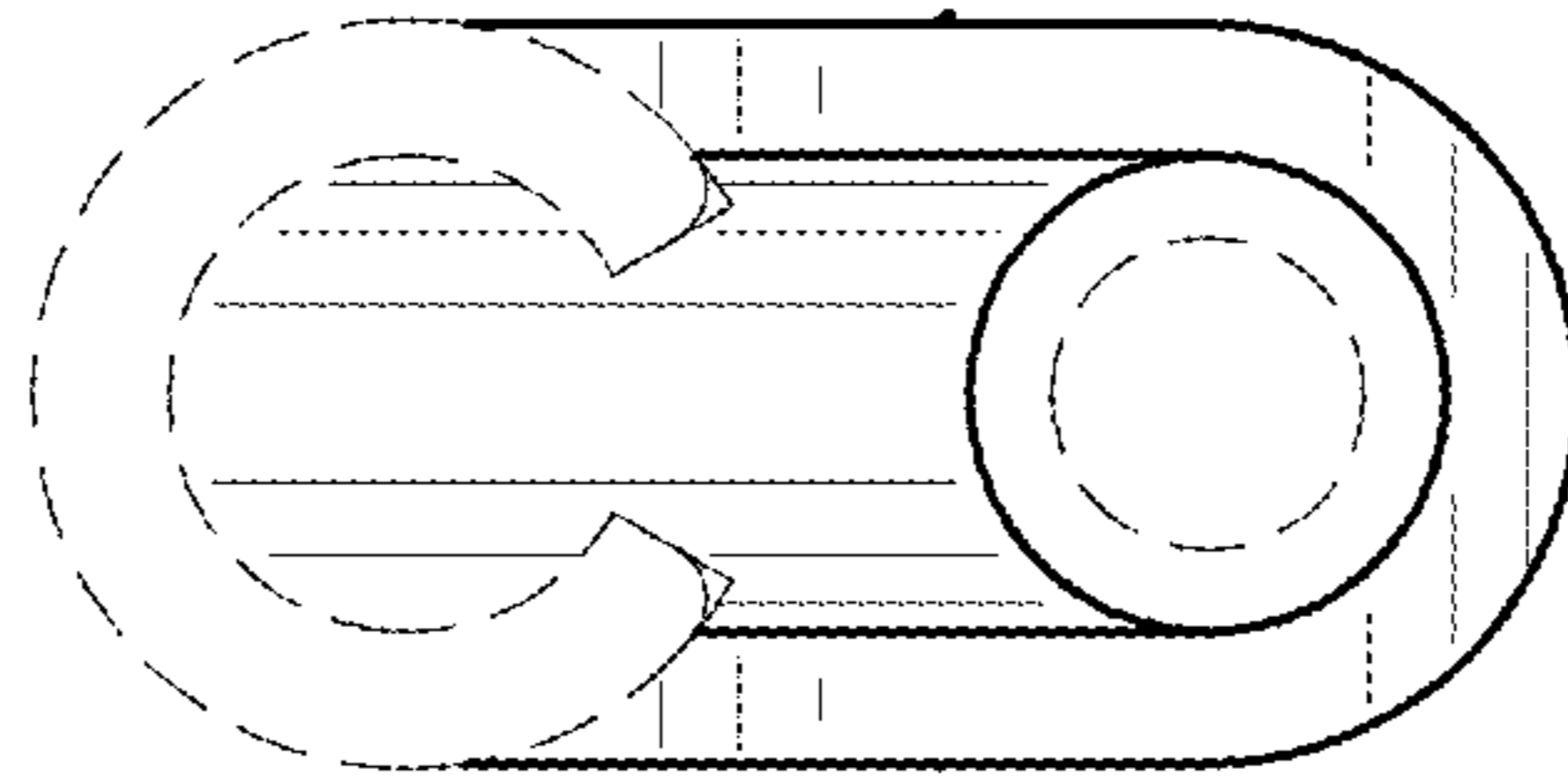


FIG. 16

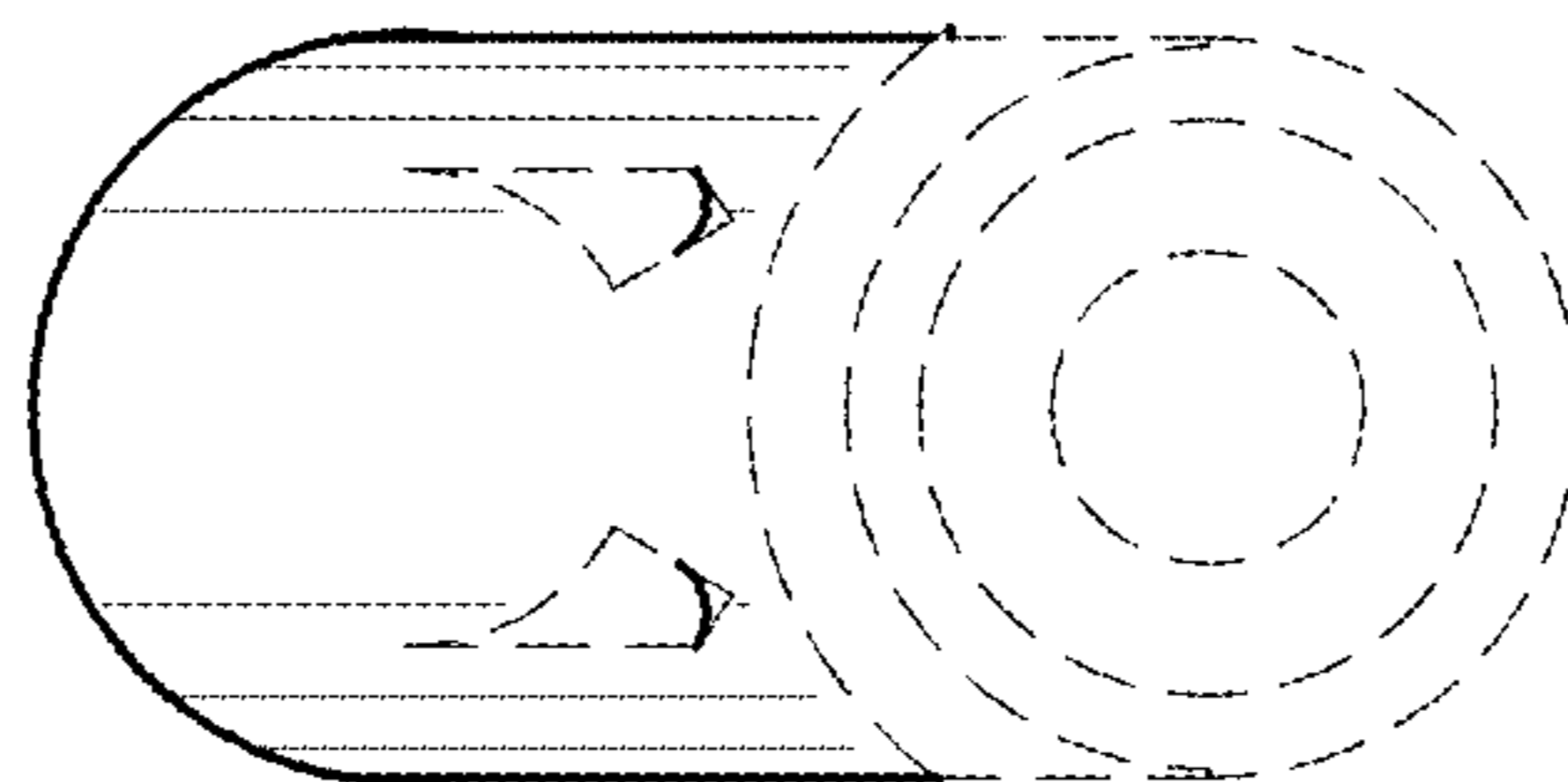


FIG. 17

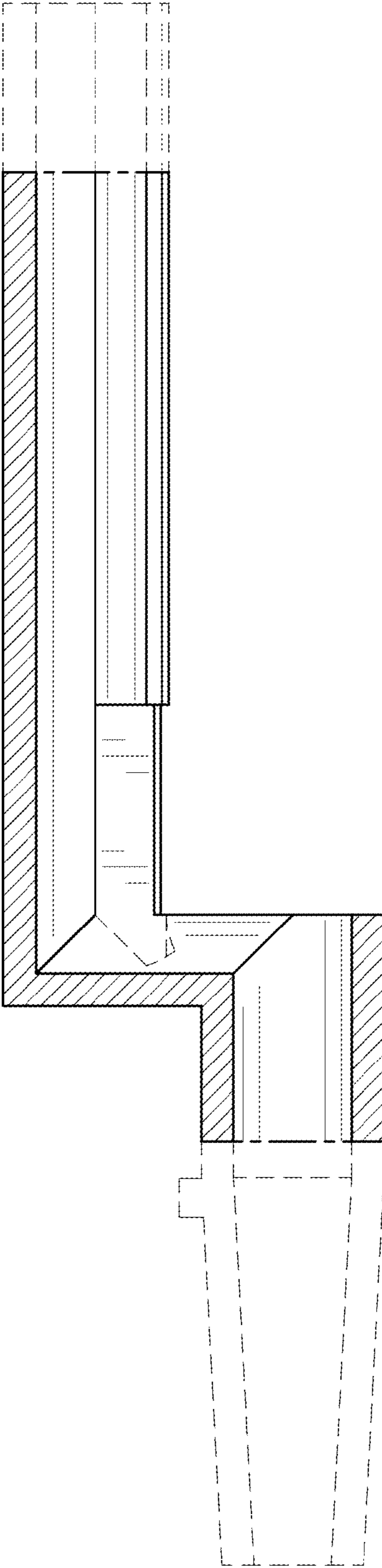


FIG. 18