



US00D977092S

(12) **United States Design Patent** (10) **Patent No.:** **US D977,092 S**
Phillips (45) **Date of Patent:** **** Jan. 31, 2023**

(54) **NASAL CANNULA RETAINER**

FOREIGN PATENT DOCUMENTS

(71) Applicant: **Natalie D. Phillips**, Suffolk, VA (US)

KR 301047367.0000 * 2/2020

(72) Inventor: **Natalie D. Phillips**, Suffolk, VA (US)

OTHER PUBLICATIONS

(**) Term: **15 Years**

7/16" Retainer Clips (Vinyl), doorandwindowparts.com,[Post date unknown], [Site seen Sep. 15, 2022], Seen at URL: https://doorandwindowparts.com/products/pl7752-7-16-retainer-clips-vinyl-for-window-screen (Year: 2022).*

(21) Appl. No.: **29/788,386**

(22) Filed: **May 12, 2021**

* cited by examiner

(51) **LOC (14) Cl.** **24-02**

(52) **U.S. Cl.**
USPC **D24/128**; D8/394

Primary Examiner — Natasha Vujcic
Assistant Examiner — Gilbert B Ford

(58) **Field of Classification Search**
USPC D8/349, 352, 353, 354, 373, 380, 381,
D8/382, 394, 396; D24/127, 128
CPC F16B 37/068; F16B 33/002; F16B 5/0208;
F16B 41/002

(74) *Attorney, Agent, or Firm* — Dunlap Bennett & Ludwig, PLLC

See application file for complete search history.

(57) **CLAIM**

I claim, the ornamental design for a nasal cannula retainer, as shown and described.

DESCRIPTION

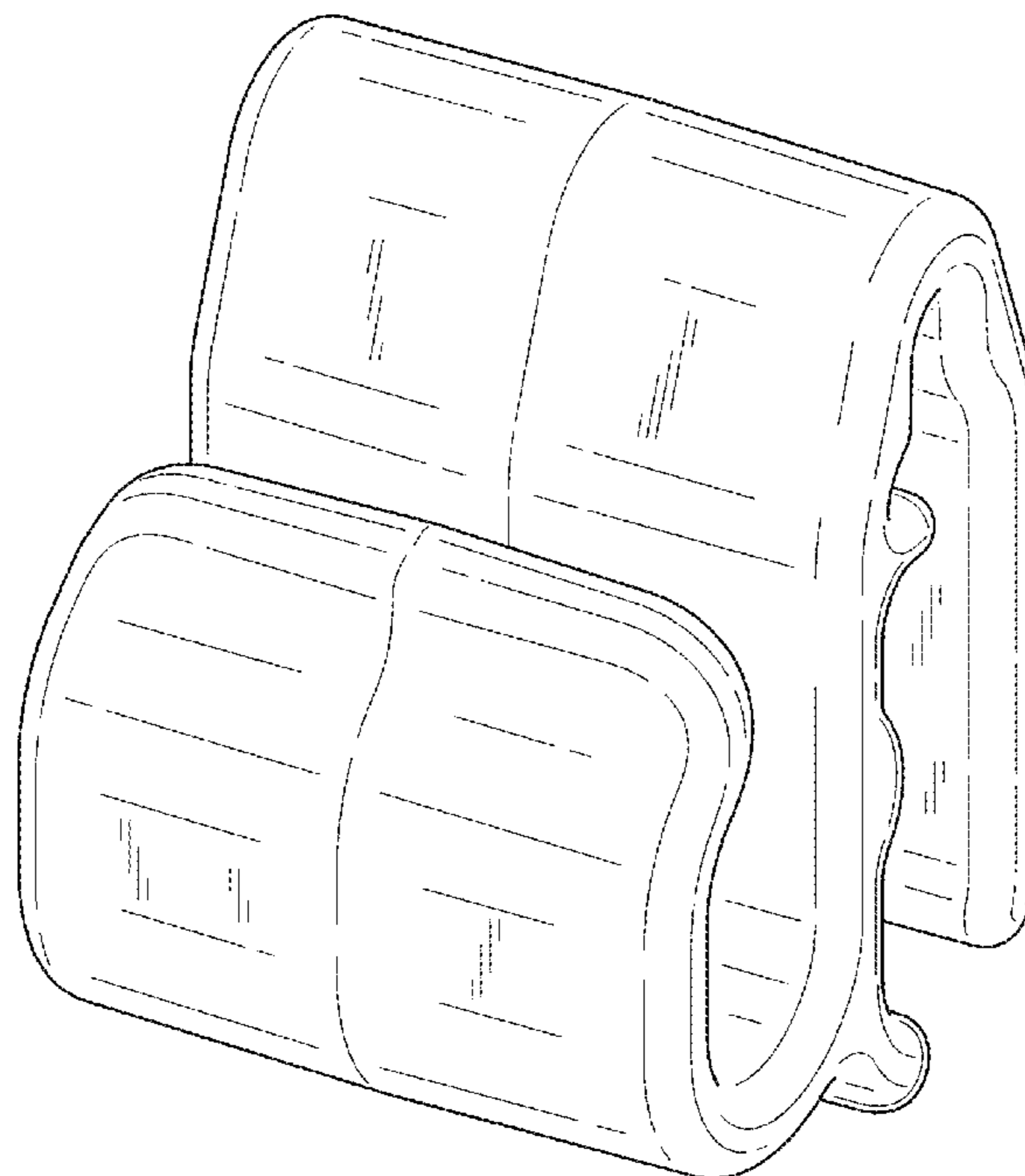
(56) **References Cited**

U.S. PATENT DOCUMENTS

D461,746 S *	8/2002	Olson	D11/201
D770,887 S *	11/2016	Sudol	D8/395
D856,783 S *	8/2019	Zeilinger	D8/354
D875,515 S *	2/2020	Pretorius	D8/394
D893,172 S *	8/2020	Kennard	D3/221
D939,946 S *	1/2022	Aucker	D8/394
D949,677 S *	4/2022	Ruberto	D8/395
D957,928 S *	7/2022	Locke	D8/394
2002/0157673 A1 *	10/2002	Kessler	A61M 25/02 128/206.25
2005/0108857 A1 *	5/2005	Wartian	B43K 23/002 24/10 R
2005/0223525 A1 *	10/2005	Wartian	B43K 23/002 24/336

FIG. 1 is a perspective view of a nasal cannula retainer, showing our new design;
FIG. 2 is a front elevation view thereof;
FIG. 3 is a rear elevation view thereof;
FIG. 4 is a left-side elevation view thereof, the right-side elevation view being a mirror image thereof;
FIG. 5 is a top plan view thereof;
FIG. 6 is a bottom plan view thereof; and,
FIG. 7 is a reduced perspective view of the nasal cannula retainer shown in use.
The broken lines showing a nasal cannula and a portion of a frame of eyeglasses in FIG. 7 depict environmental subject matter that forms no part of the claimed design.

1 Claim, 4 Drawing Sheets



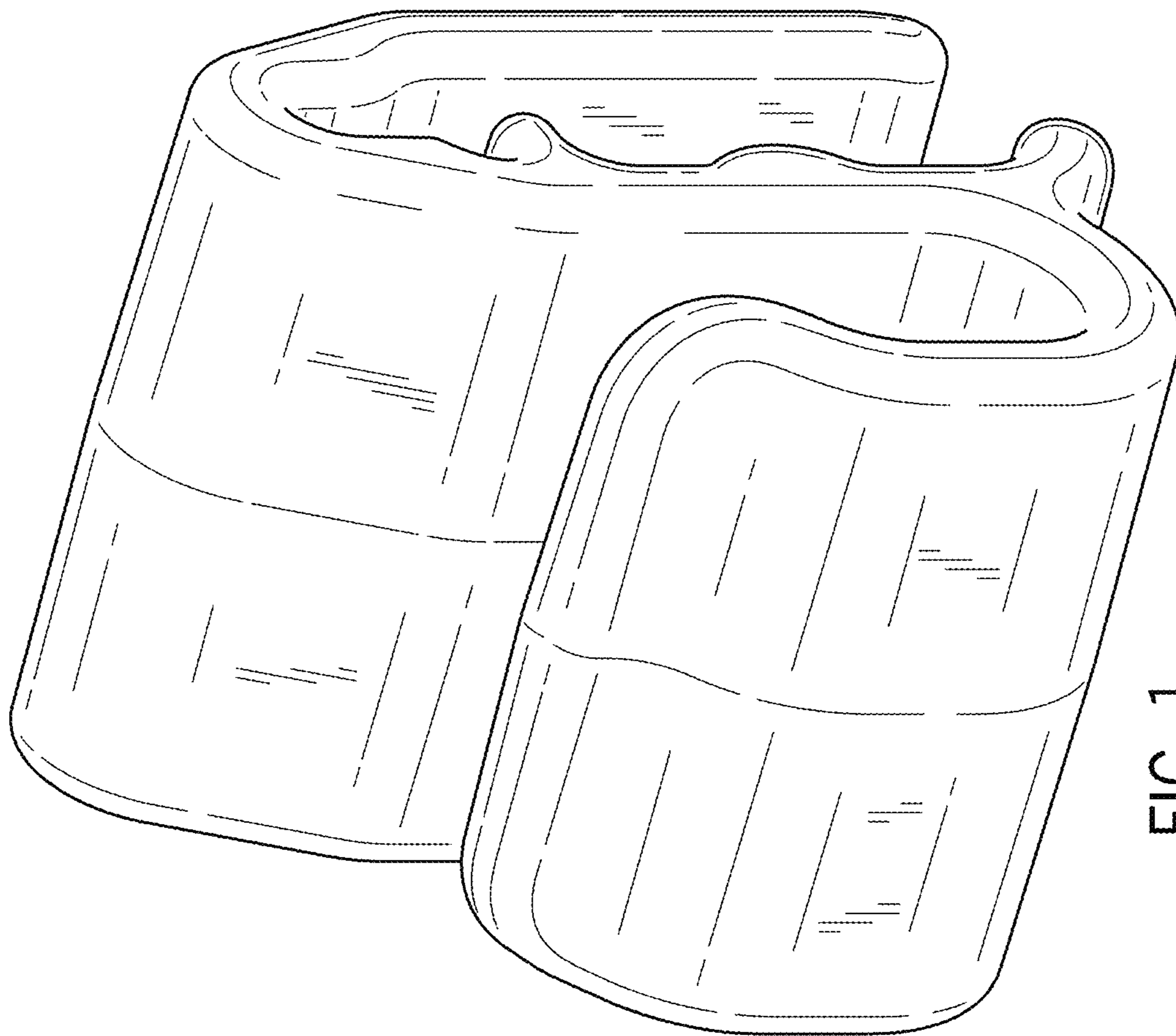


FIG. 1

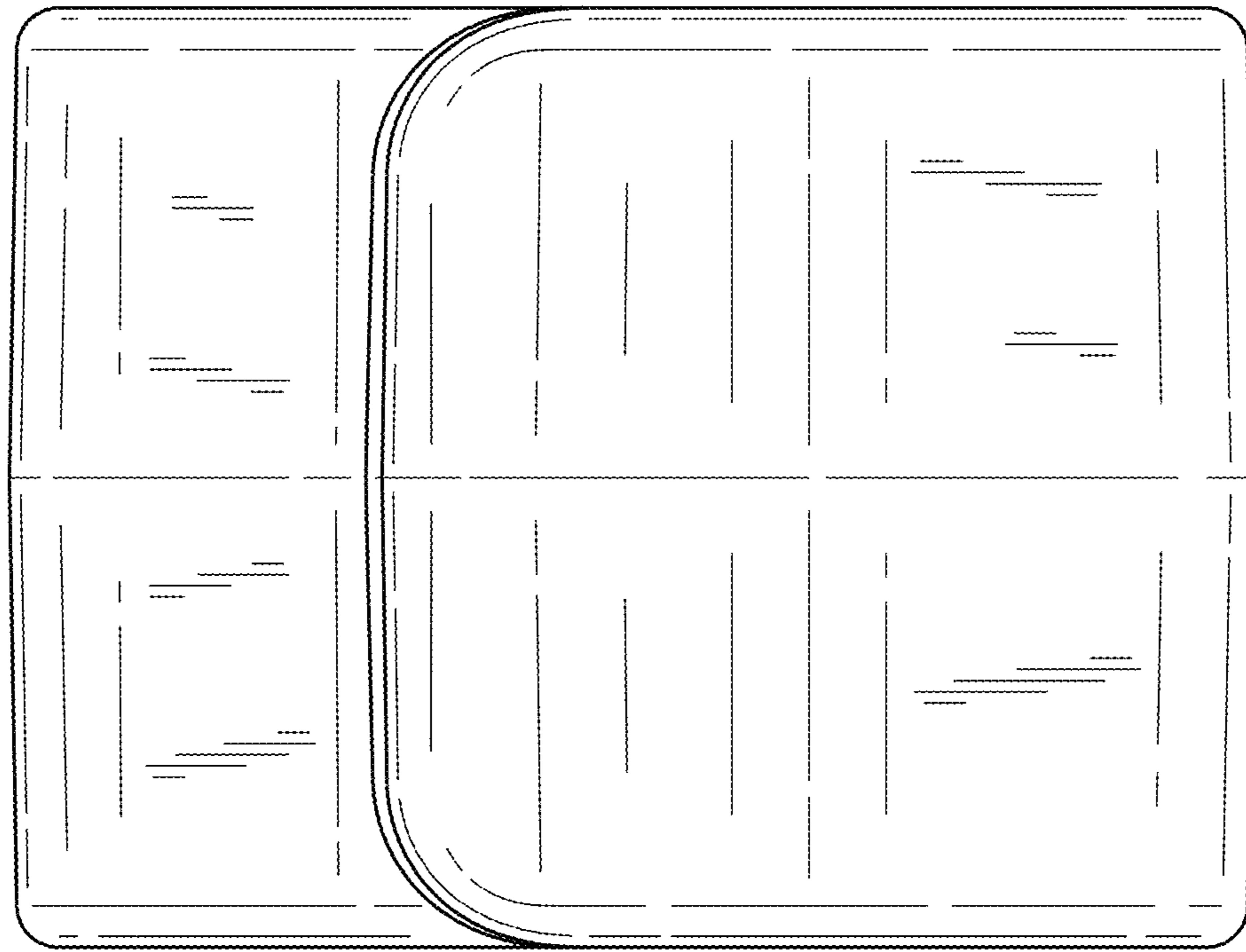


FIG. 2

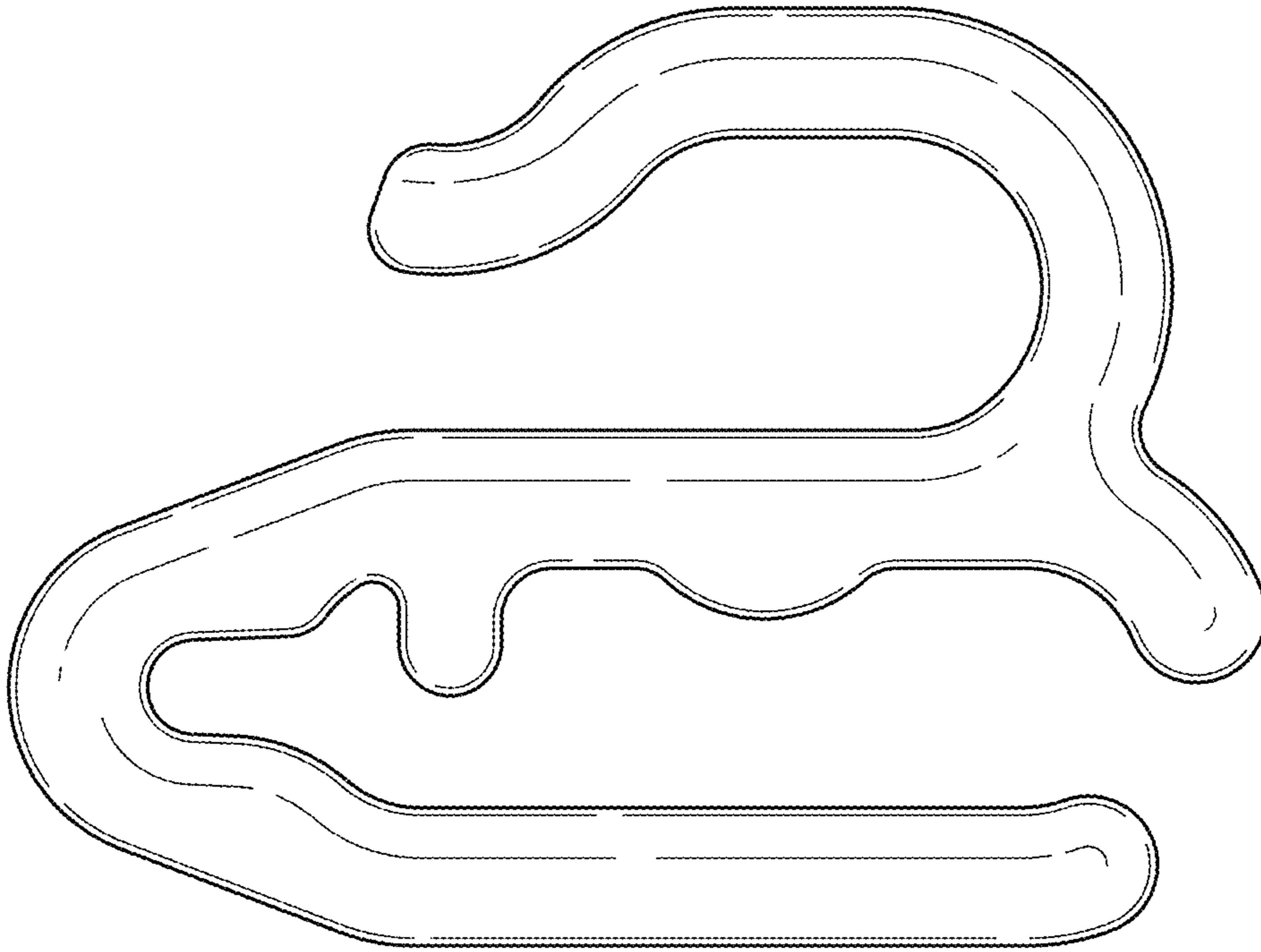


FIG. 4

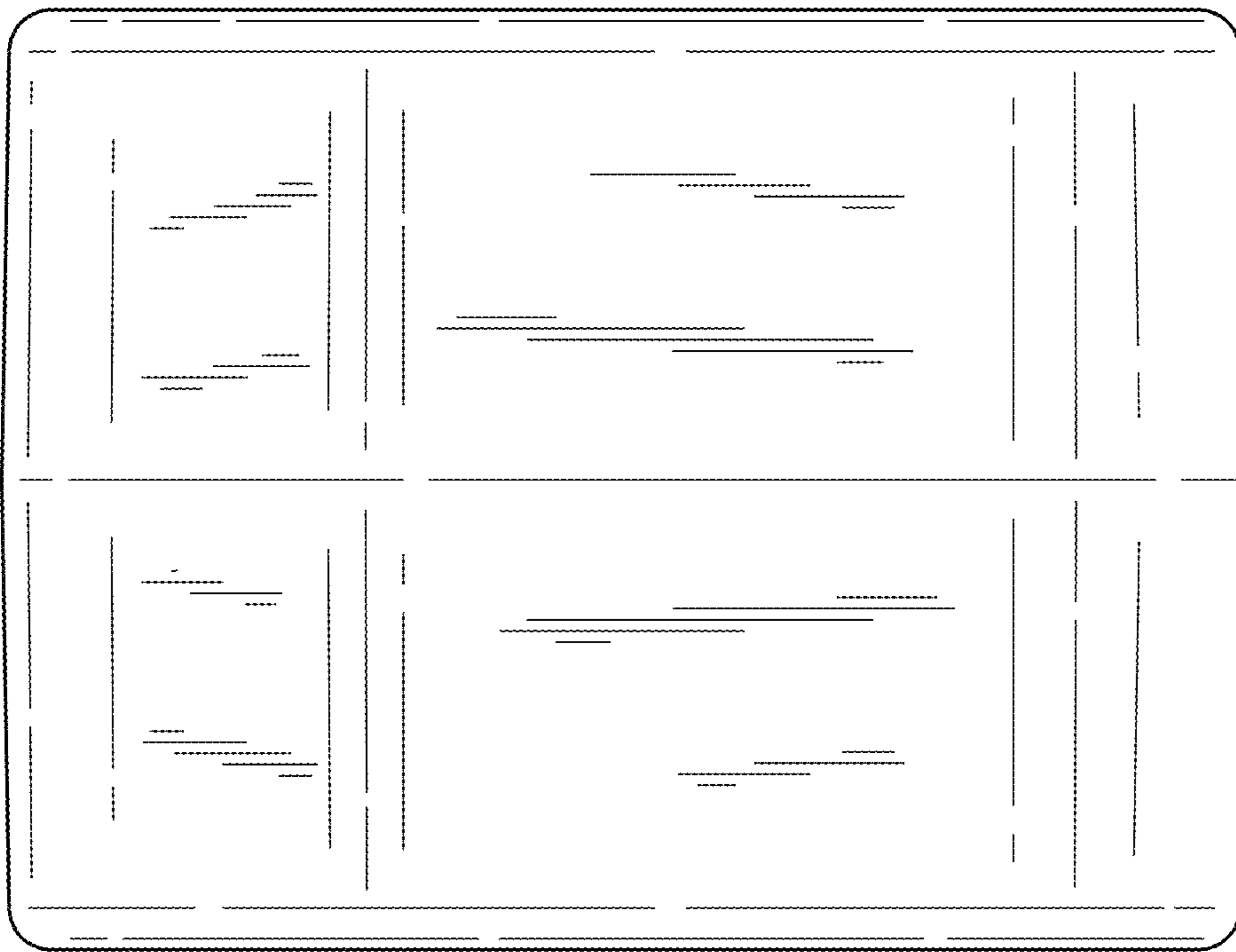


FIG. 3

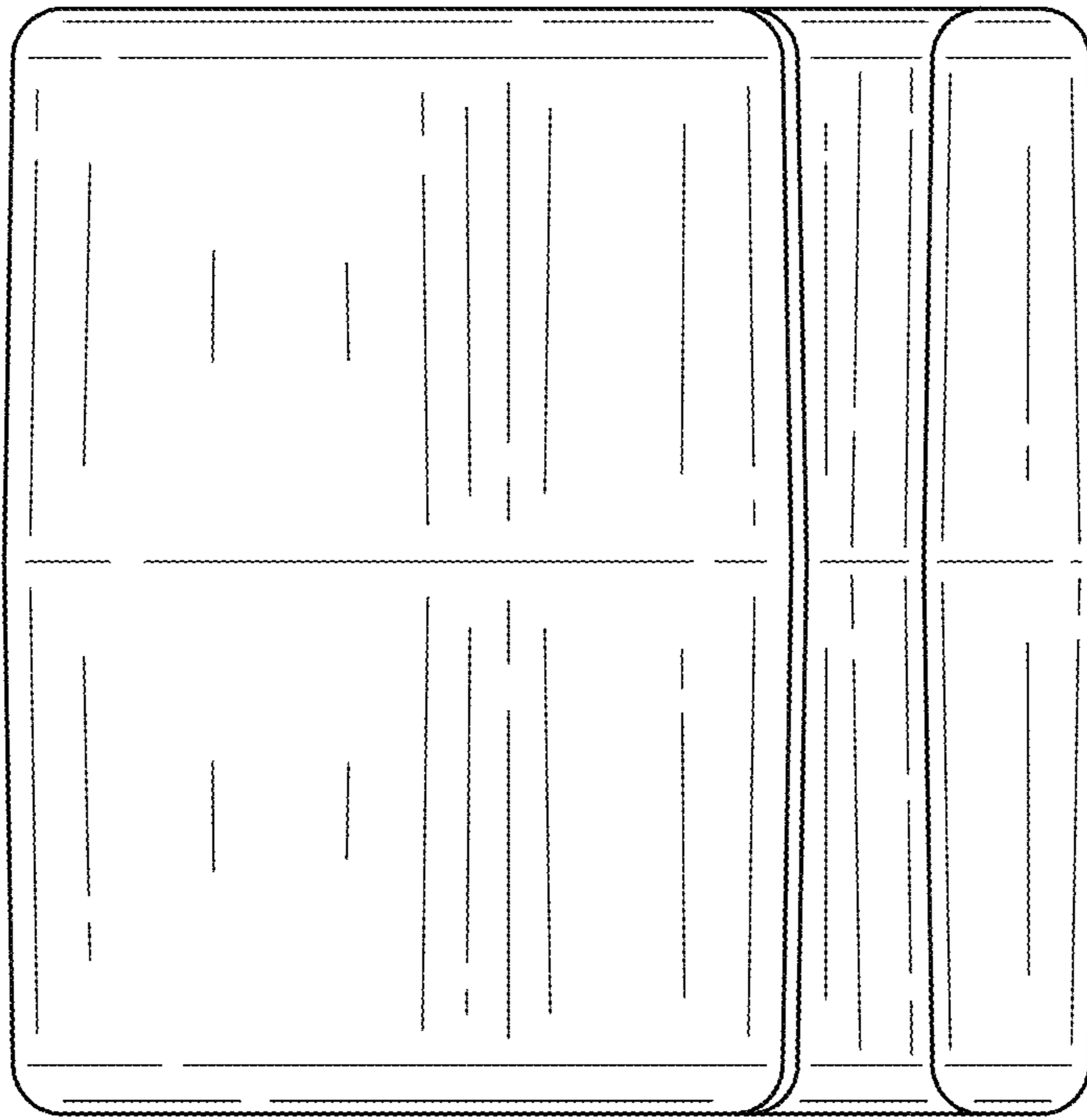


FIG. 5

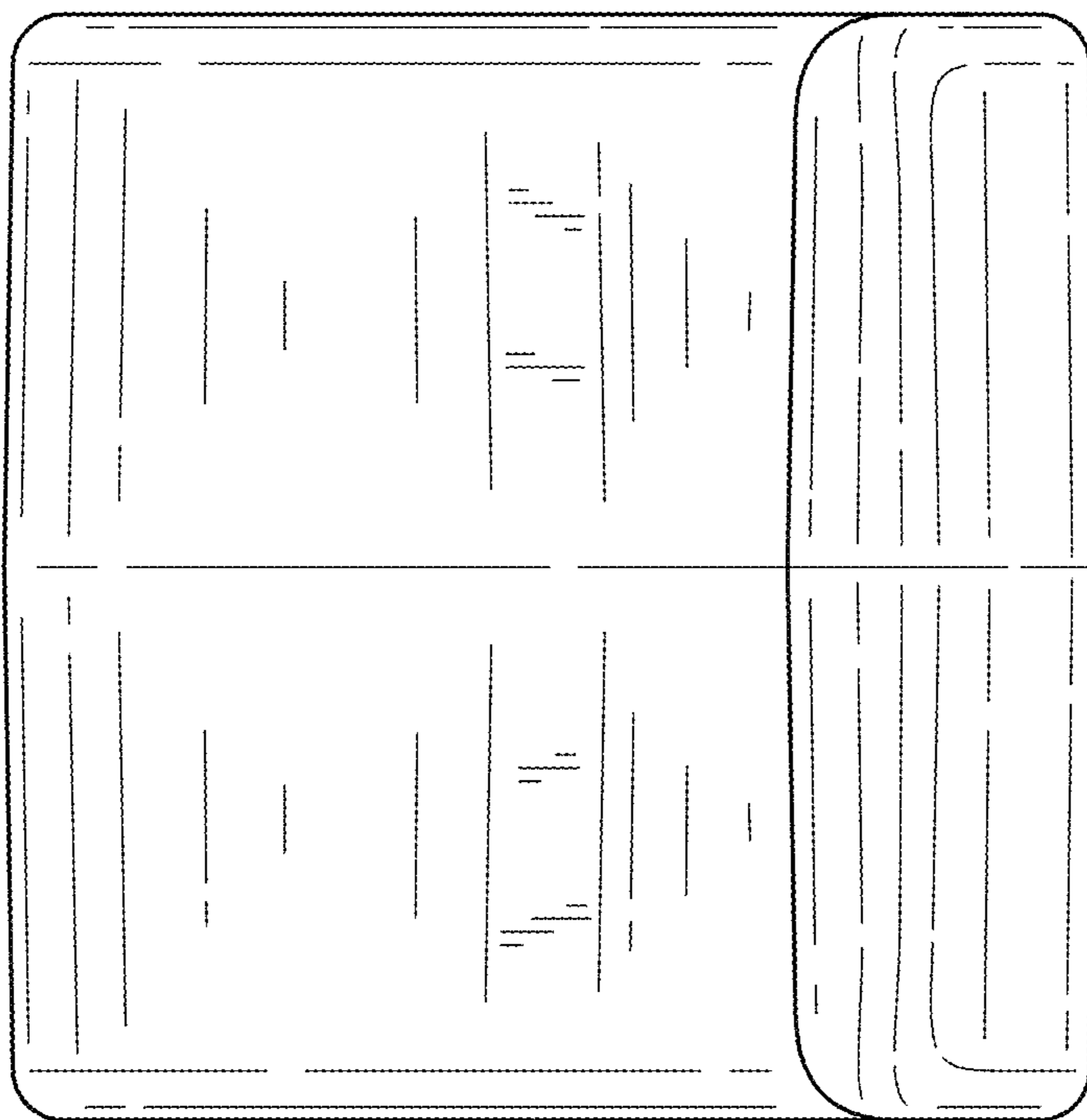


FIG. 6

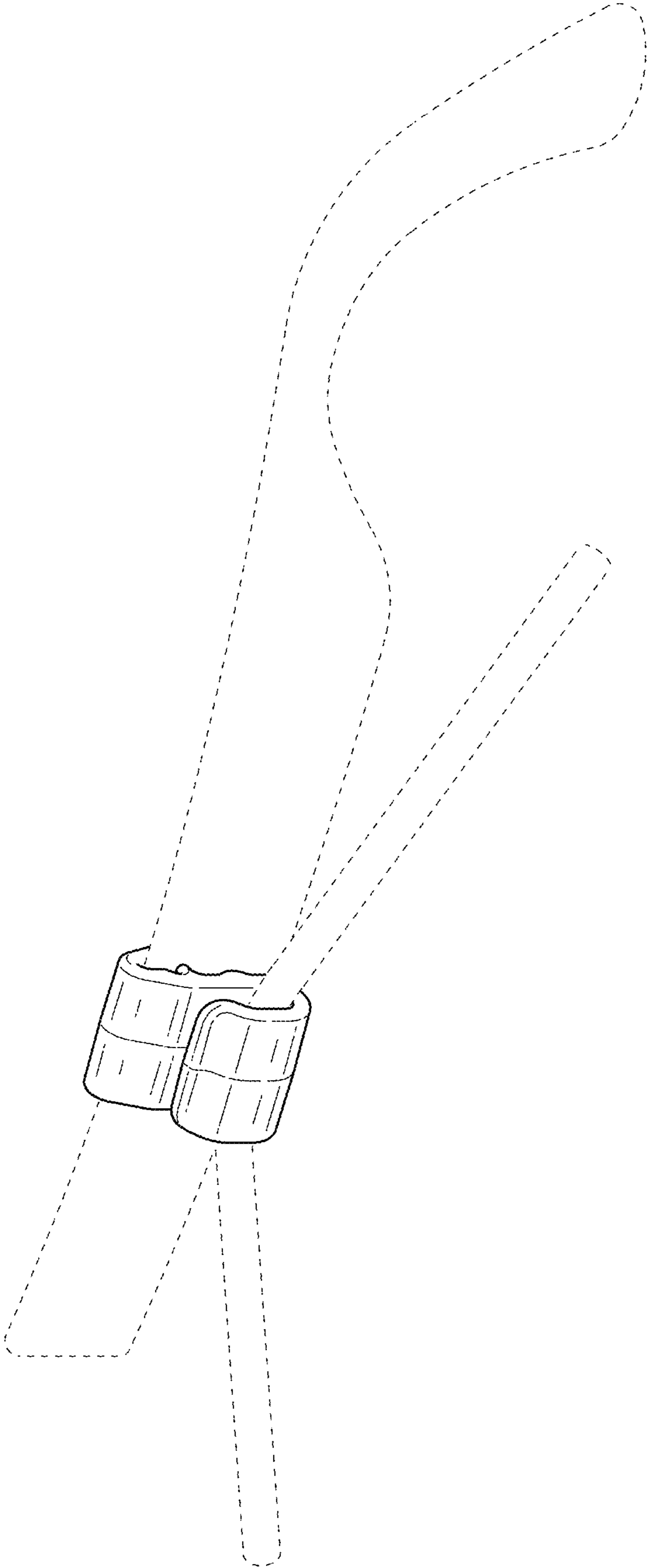


FIG. 7