



US00D977085S

(12) **United States Design Patent** (10) **Patent No.:** **US D977,085 S**
Bao (45) **Date of Patent:** **** Jan. 31, 2023**

(54) **FAN LIGHT**

(71) Applicant: **Smart Lighting Holding Limited,**
Hongkong (HK)

(72) Inventor: **Jia-Xiang Bao,** Shenzhen (CN)

(73) Assignee: **Smart Lighting Holding Limited,**
Hongkong (HK)

(**) Term: **15 Years**

(21) Appl. No.: **29/767,863**

(22) Filed: **Jan. 26, 2021**

(51) **LOC (14) Cl.** **23-04**

(52) **U.S. Cl.**
USPC **D23/382; D23/370; D26/59**

(58) **Field of Classification Search**
USPC D26/24, 37-52, 59-66, 113, 138;
D23/370, 377, 381-382, 385-386,
D23/411-413
CPC F21V 33/0096; F21V 21/03; F21V 15/01;
F21V 29/677; F21V 23/0435; F21V
21/02; F21V 29/74; F24F 13/078; F24F
7/007; F24F 2221/02; F24F 13/06
See application file for complete search history.

(56) **References Cited**

U.S. PATENT DOCUMENTS

4,799,858	A *	1/1989	Shin-Chin	F16M 11/2014
					416/246
D351,901	S *	10/1994	Boruch	D23/382
5,431,544	A *	7/1995	Hsu	F04D 29/601
					248/676
D416,321	S *	11/1999	Jane	D23/382
D429,327	S *	8/2000	Brewer	D23/370
D441,444	S *	5/2001	Shapiro	D23/382
D674,888	S *	1/2013	Kawase	D23/370
D681,186	S *	4/2013	Pan	D23/370

(Continued)

OTHER PUBLICATIONS

Mieuxbuck Clip on Fan. By Mieuxbuck. Dated Dec. 31, 2019. Found online [Jun. 15, 2022]. <https://www.amazon.com/Mieuxbuck-Camping-Lantern-Rechargeable-Operated/dp/B083BKNZ8Z> (Year: 2019).*

(Continued)

Primary Examiner — Marissa J Cash

Assistant Examiner — William B Melliar

(74) *Attorney, Agent, or Firm* — ScienBiziP, P.C.

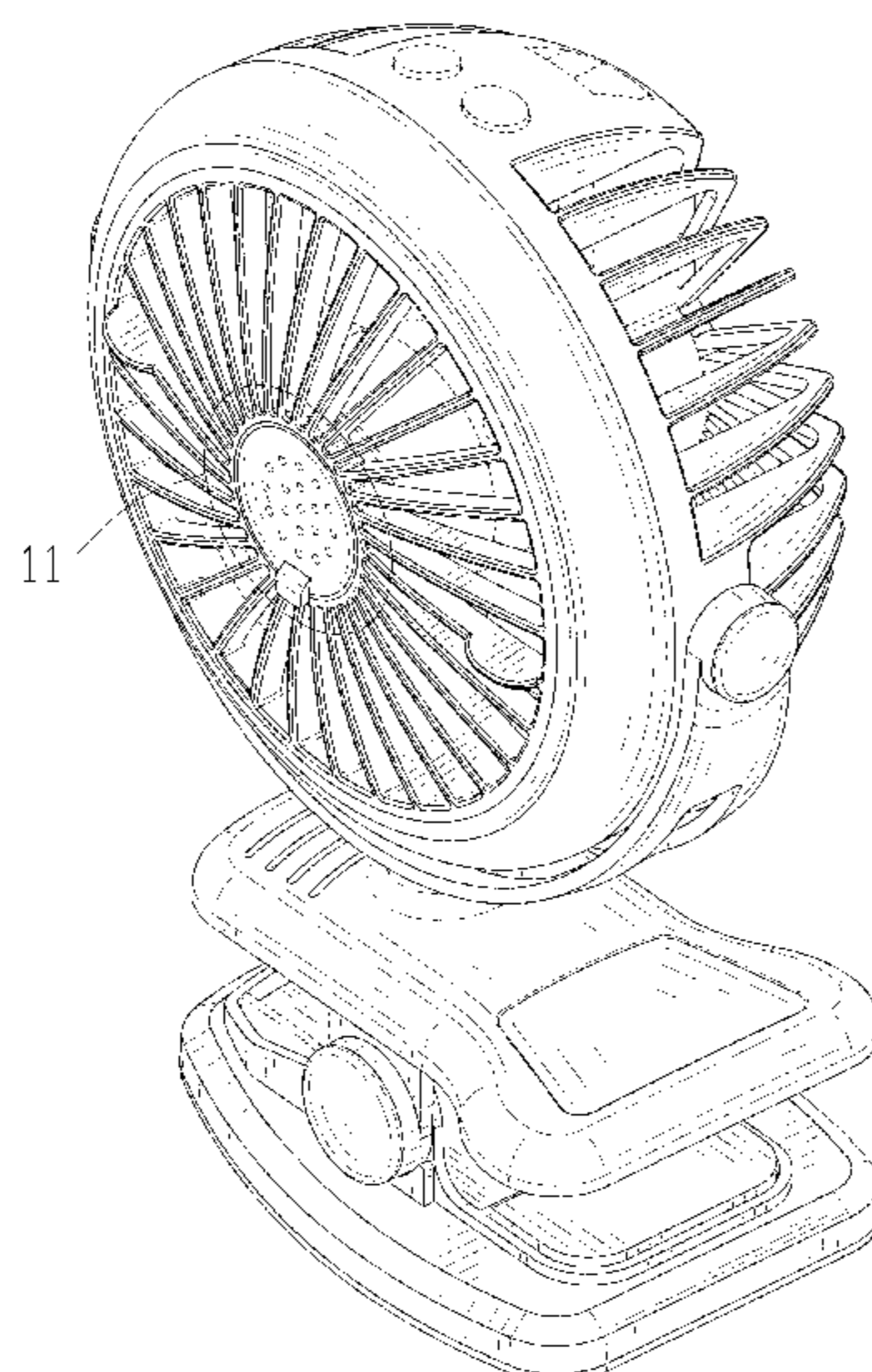
(57) **CLAIM**

The ornamental design for a fan light, as shown and described.

DESCRIPTION

FIG. 1 is a front perspective view of a fan light showing my design.
FIG. 2 is a bottom rear perspective view of the fan light.
FIG. 3 is a front elevation view thereof.
FIG. 4 is a rear elevation view thereof.
FIG. 5 is a left side elevation view thereof.
FIG. 6 is a right side elevation view thereof.
FIG. 7 is a top plan view thereof.
FIG. 8 is a bottom plan view thereof.
FIG. 9 is a perspective view of the fan light shown in an alternate configuration of use in a clamped state;
FIG. 10 is a perspective view of the fan light shown in an alternate configuration of use with the hook of the fan light pulled out;
FIG. 11 is a partial enlarged view of an area labeled 11 in the fan light FIG. 1; and,
FIG. 12 is a partial enlarged view of an area labeled 12 in the fan light FIG. 2.
The broken lines in the drawings depict portions of the fan light that forms no part of the claimed design. The additional dash-dot-dash lines surrounding the detail views in FIGS. 1-2 and 11-12 are for annotative purposes only and form no part thereof.

1 Claim, 12 Drawing Sheets



(56)

References Cited

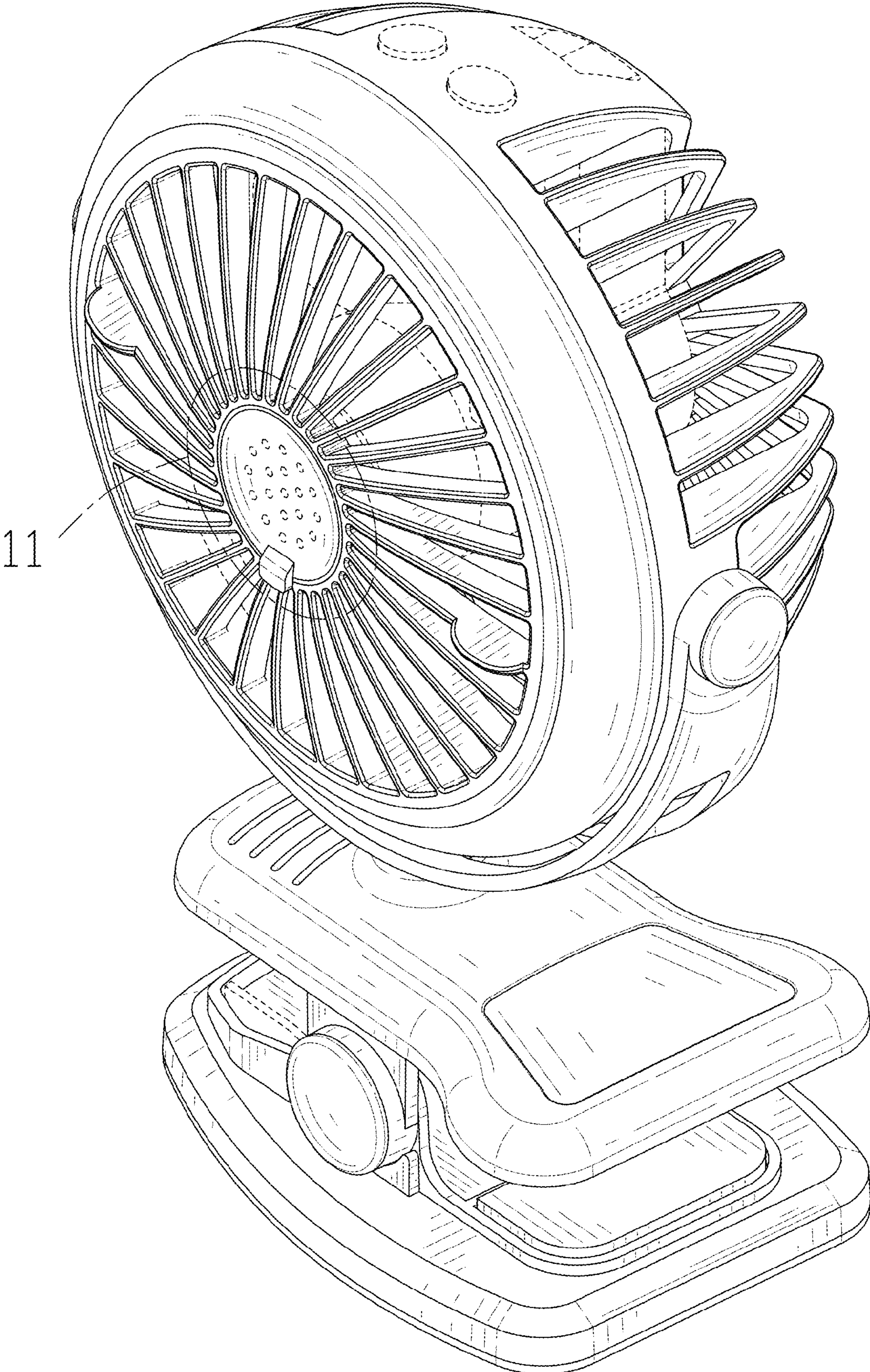
U.S. PATENT DOCUMENTS

D690,450	S	*	9/2013	Guercio	D26/92
D817,473	S	*	5/2018	Liu	D23/370
D818,109	S	*	5/2018	Junkel	D23/382
D884,868	S	*	5/2020	Chen	D23/382
D921,878	S	*	6/2021	Li	D23/381
D927,679	S	*	8/2021	Chen	D23/370
D951,424	S	*	5/2022	Chen	D23/382
D952,829	S	*	5/2022	Ye	D23/382

OTHER PUBLICATIONS

2022 Updated Misting Baby Stroller. By COMLIFE. Dated Mar. 29, 2022. Found online [Jun. 15, 2022]. <https://www.amazon.com/Stroller-Pivoting-Portable-Operated-Treadmill/dp/B09WQKJCNQ> (Year: 2022).*

* cited by examiner



11

FIG. 1

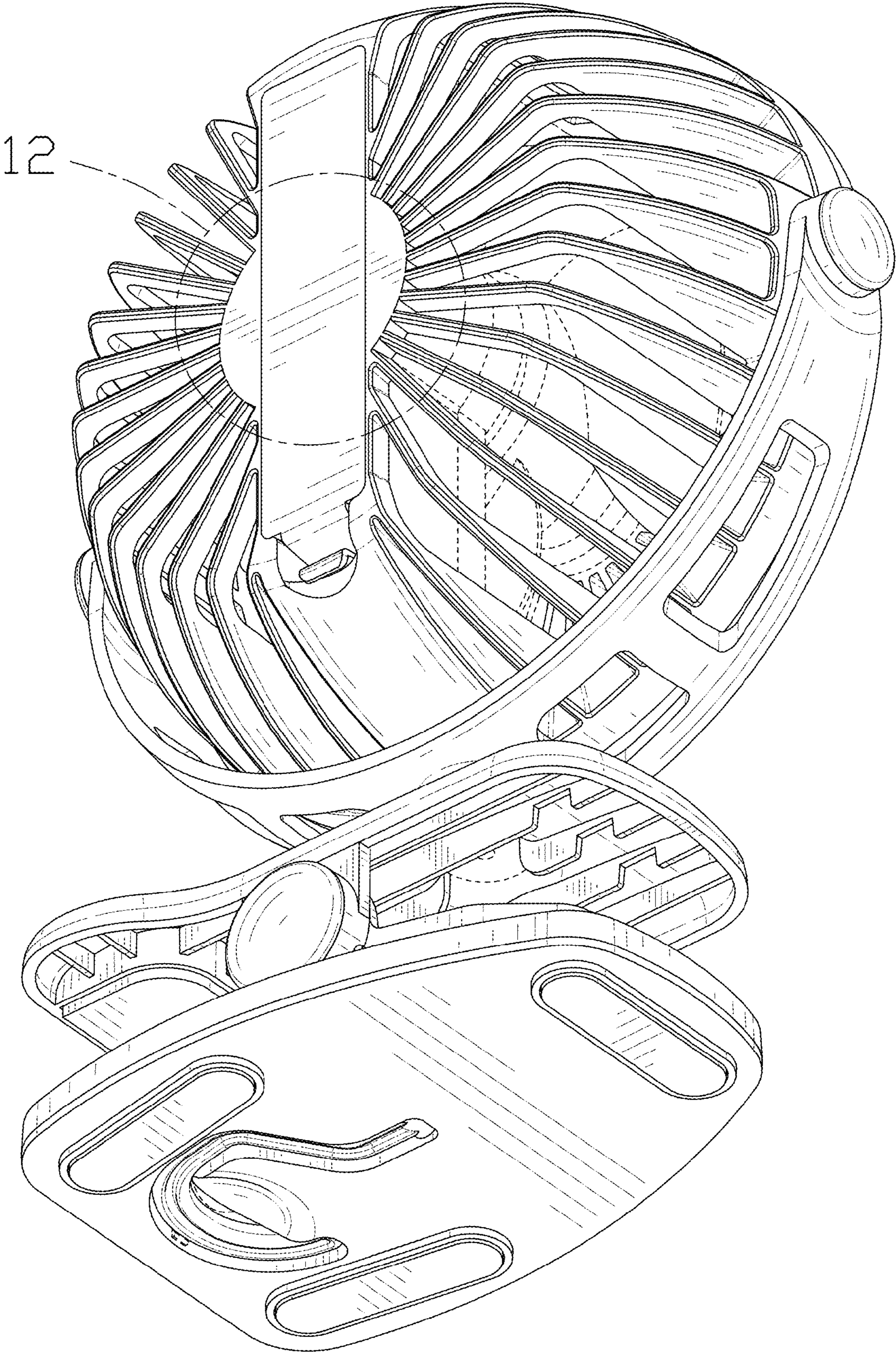


FIG. 2

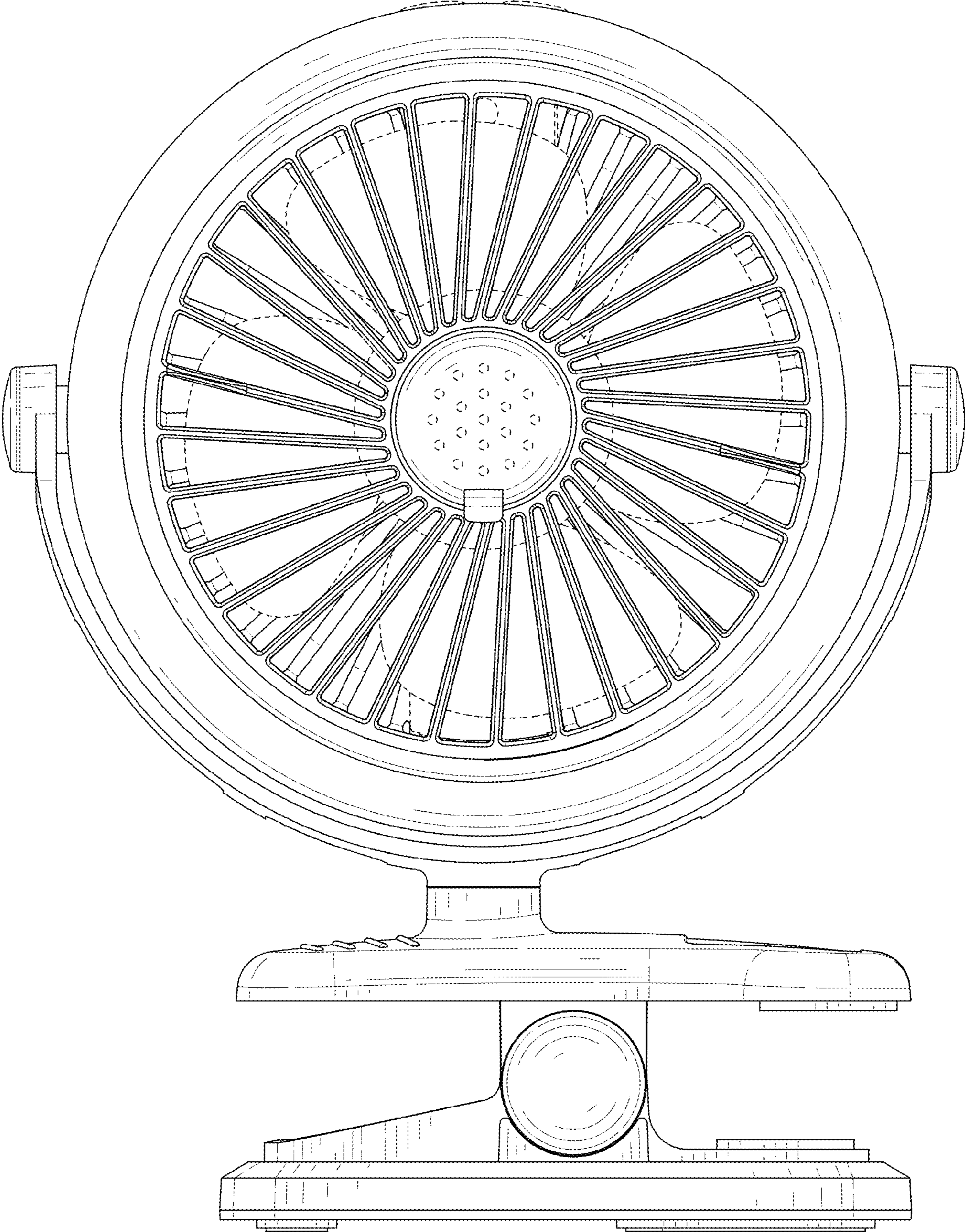


FIG. 3

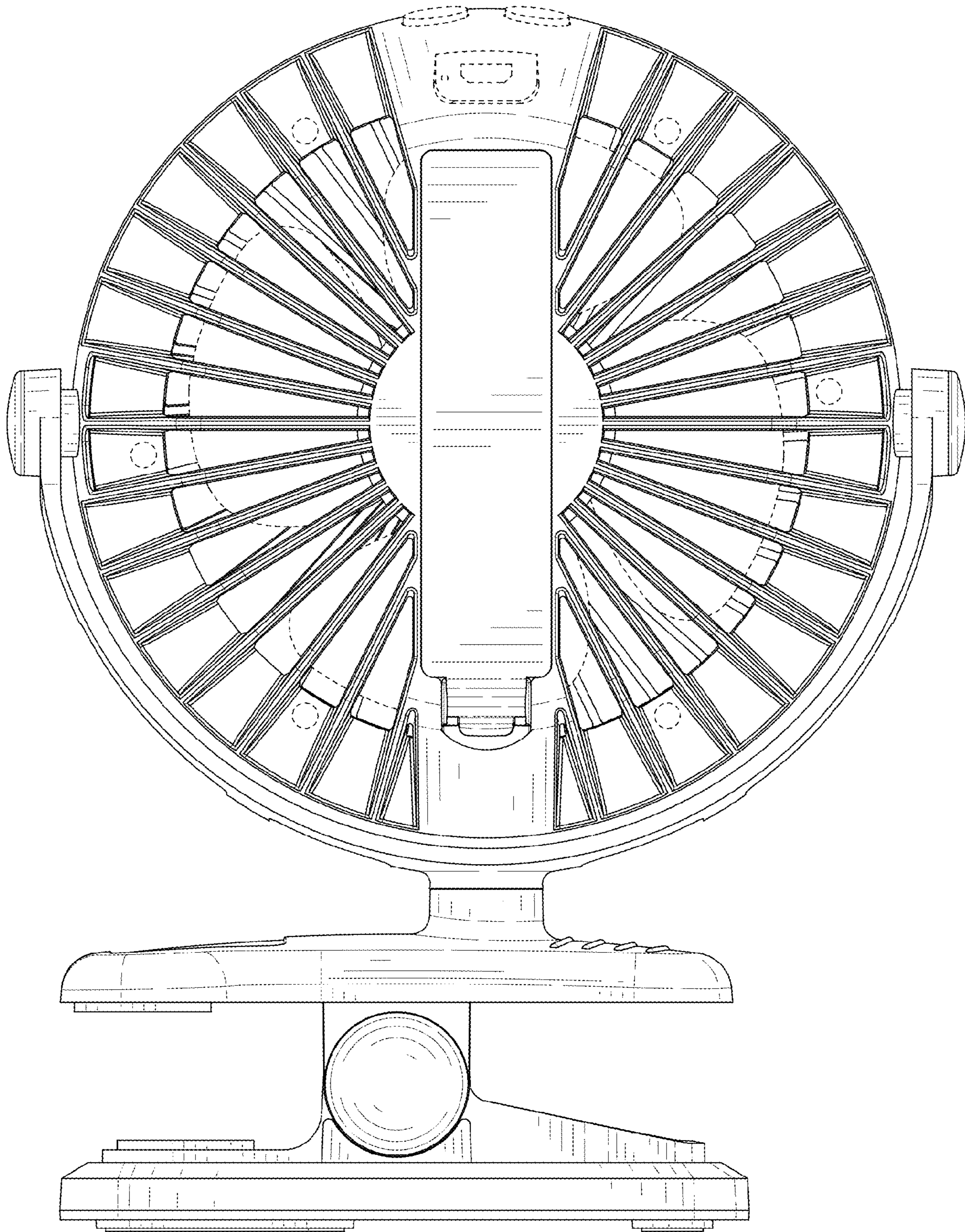


FIG. 4

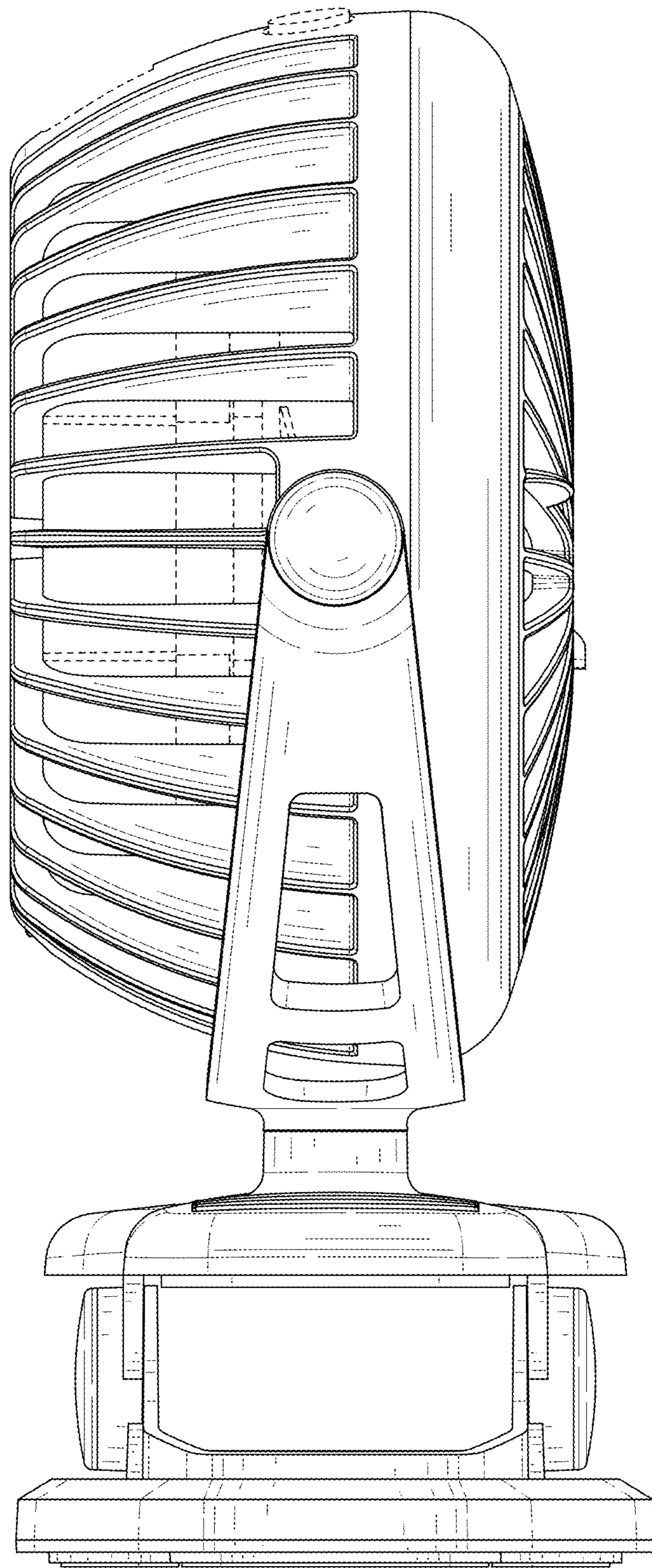


FIG. 5

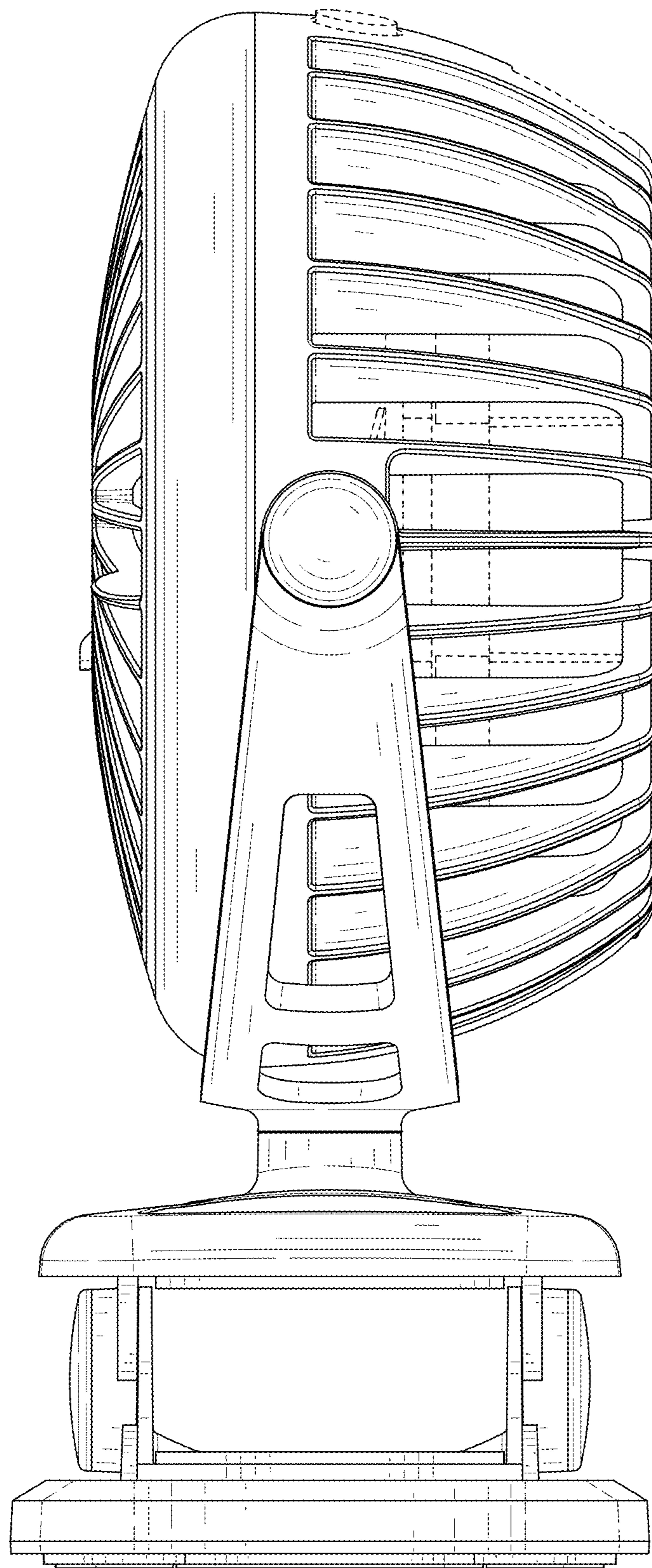


FIG. 6

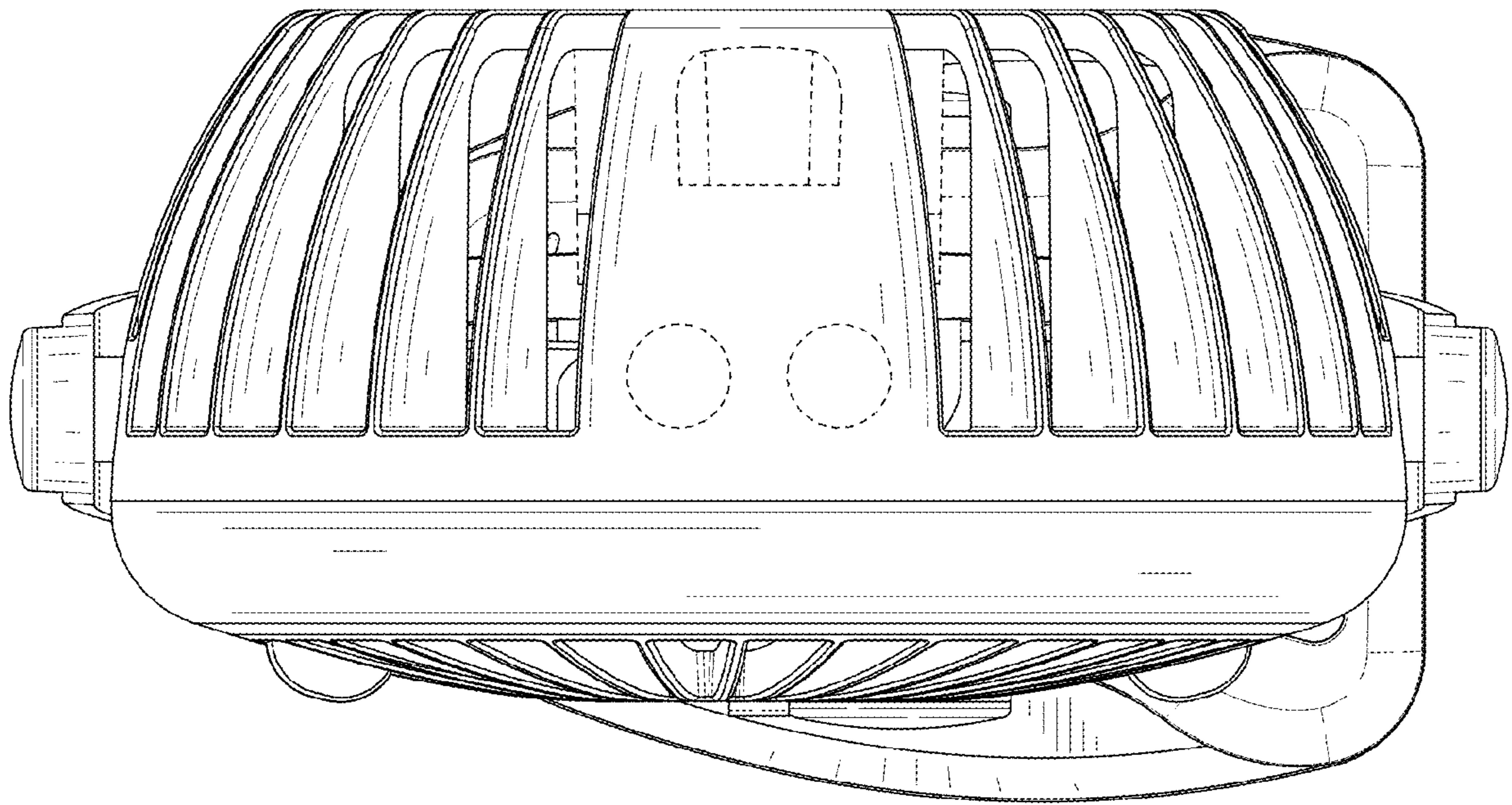


FIG. 7

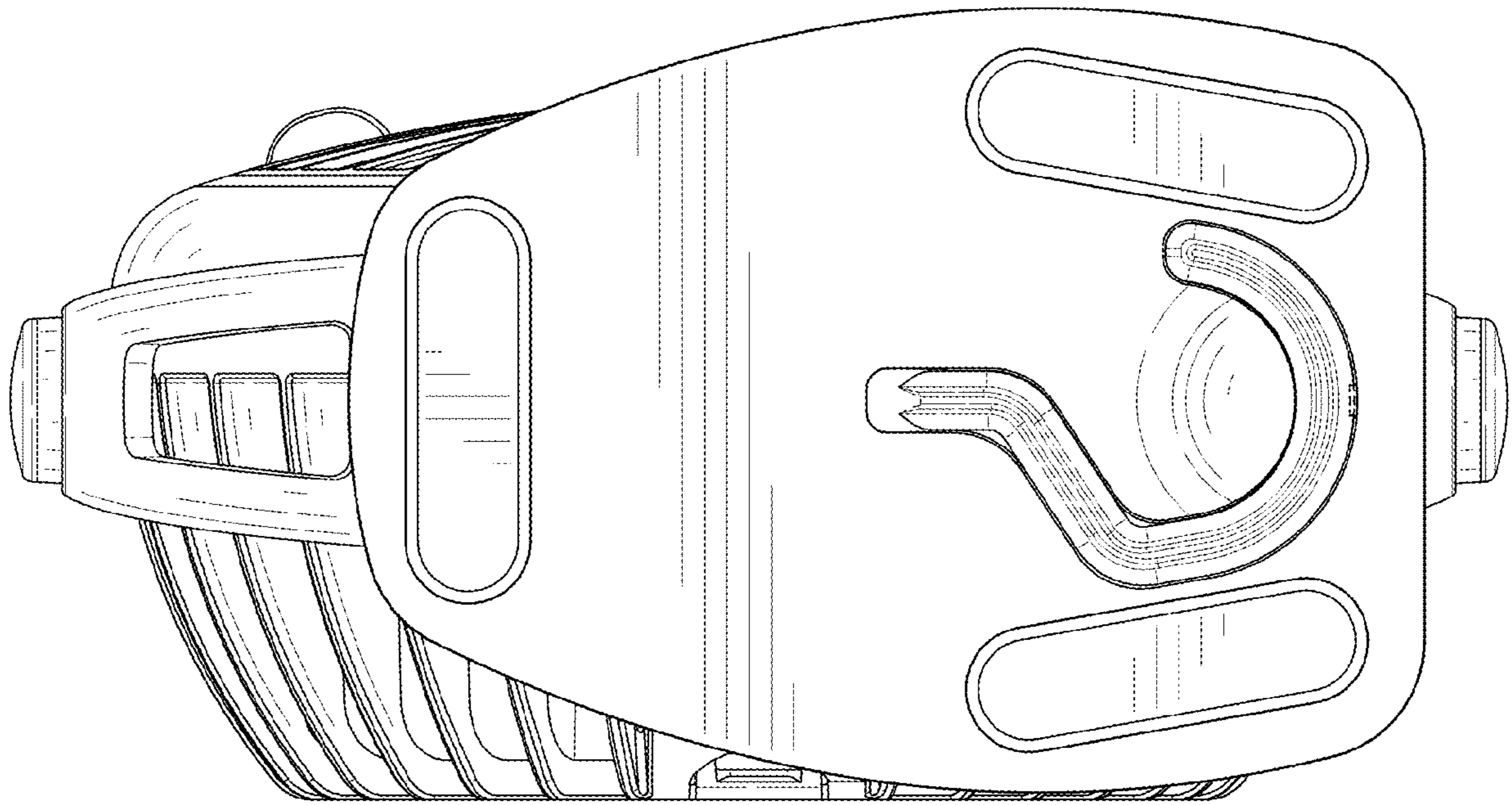


FIG. 8

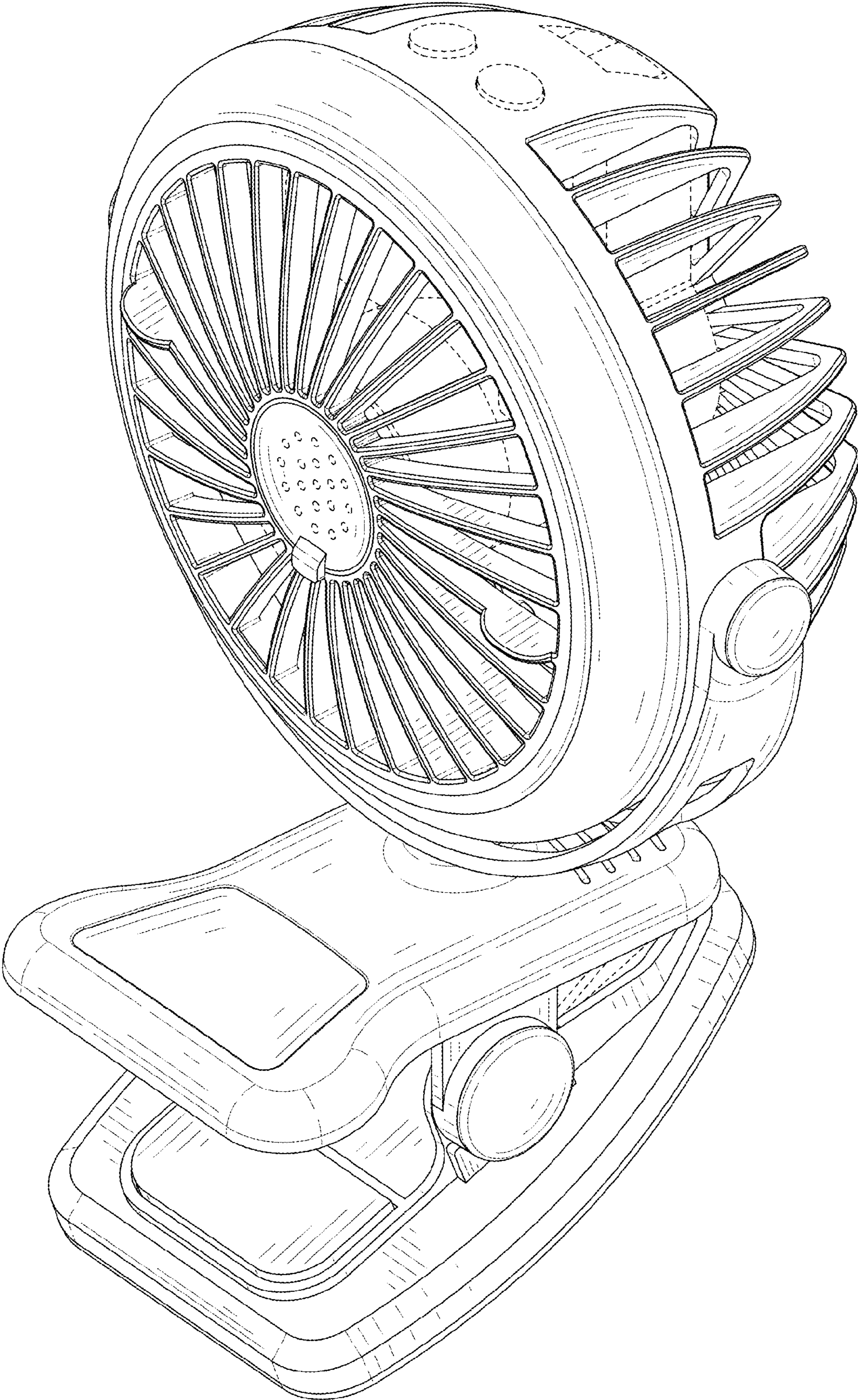


FIG. 9

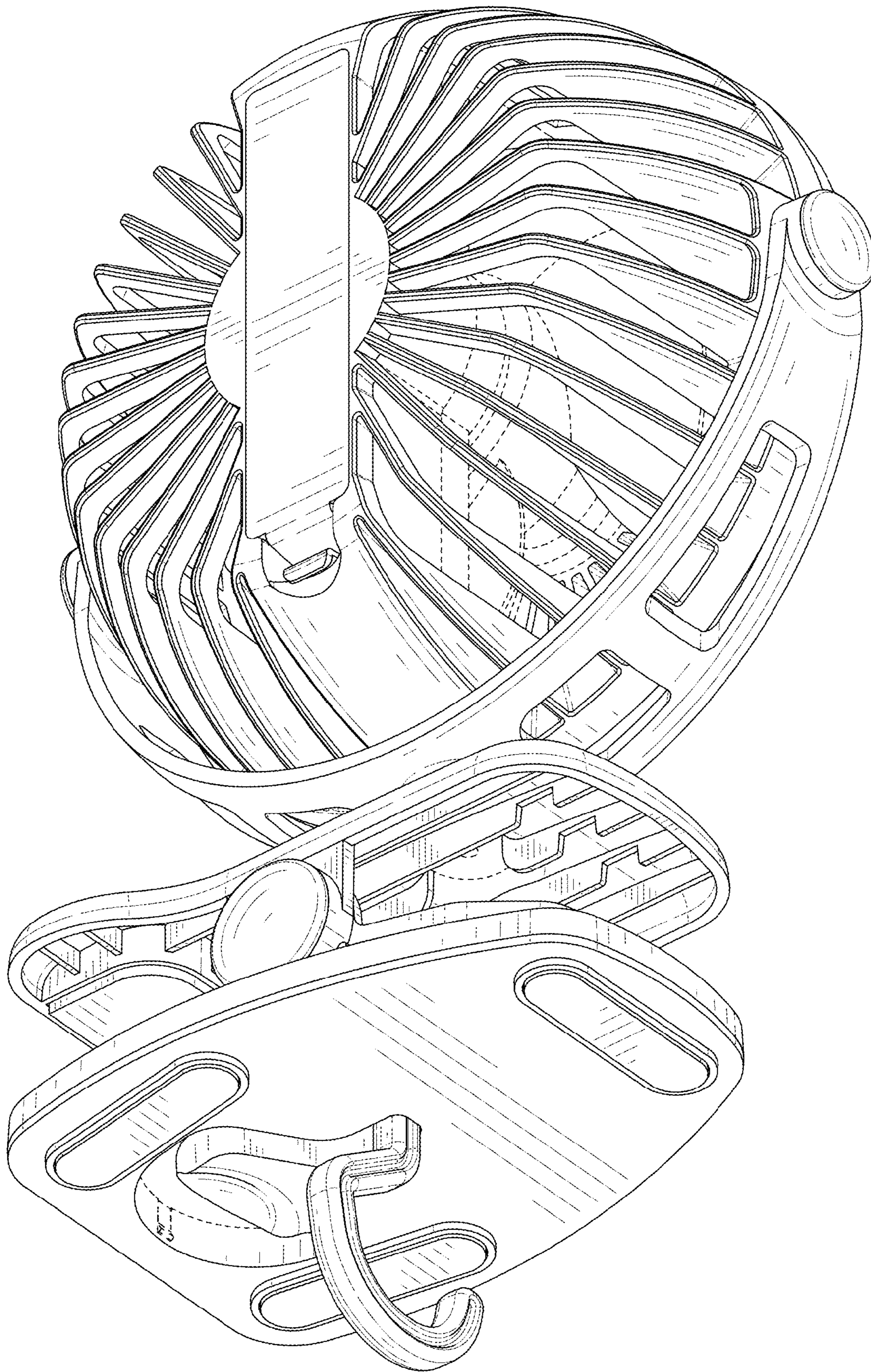


FIG. 10

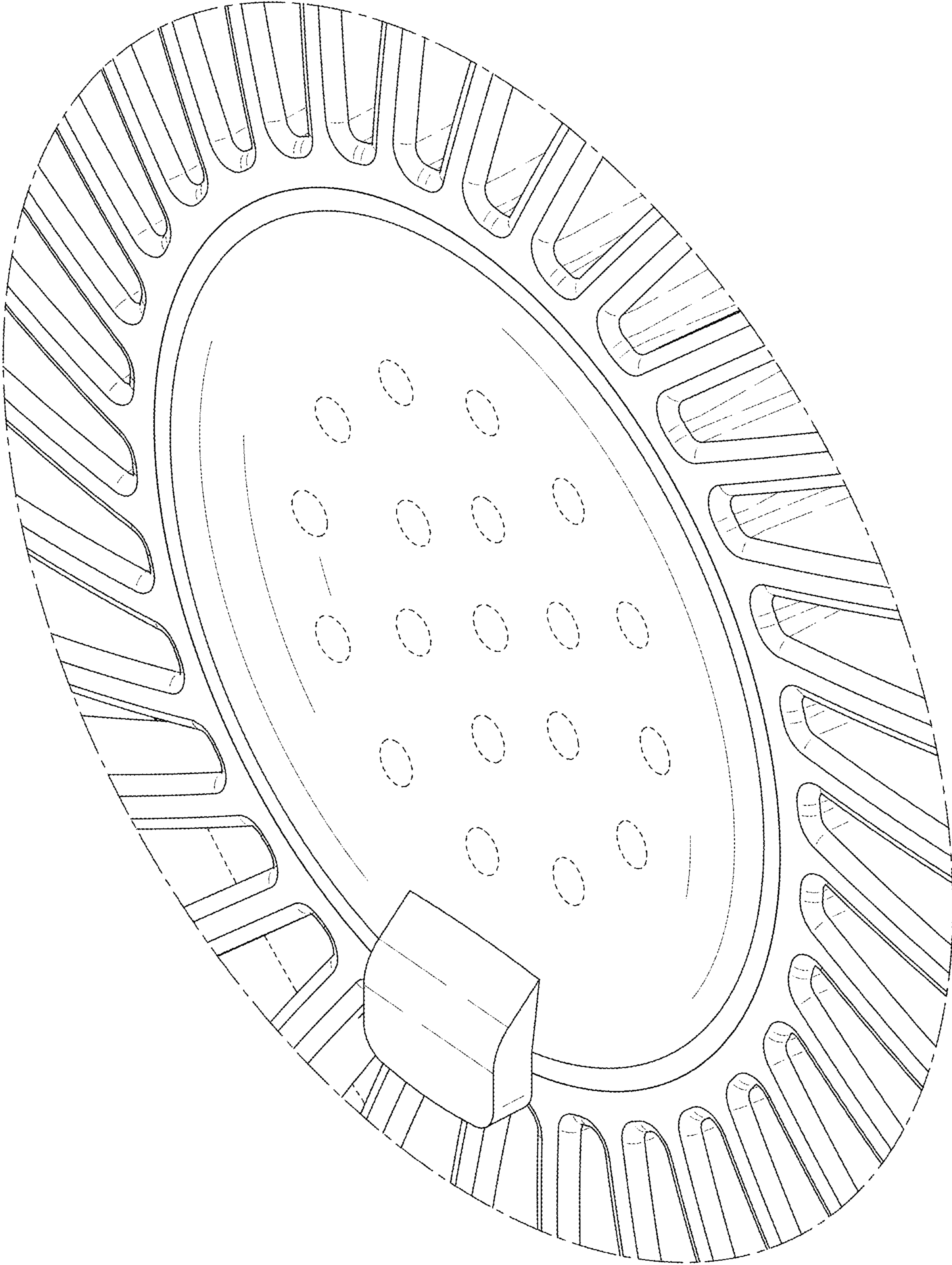


FIG. 11

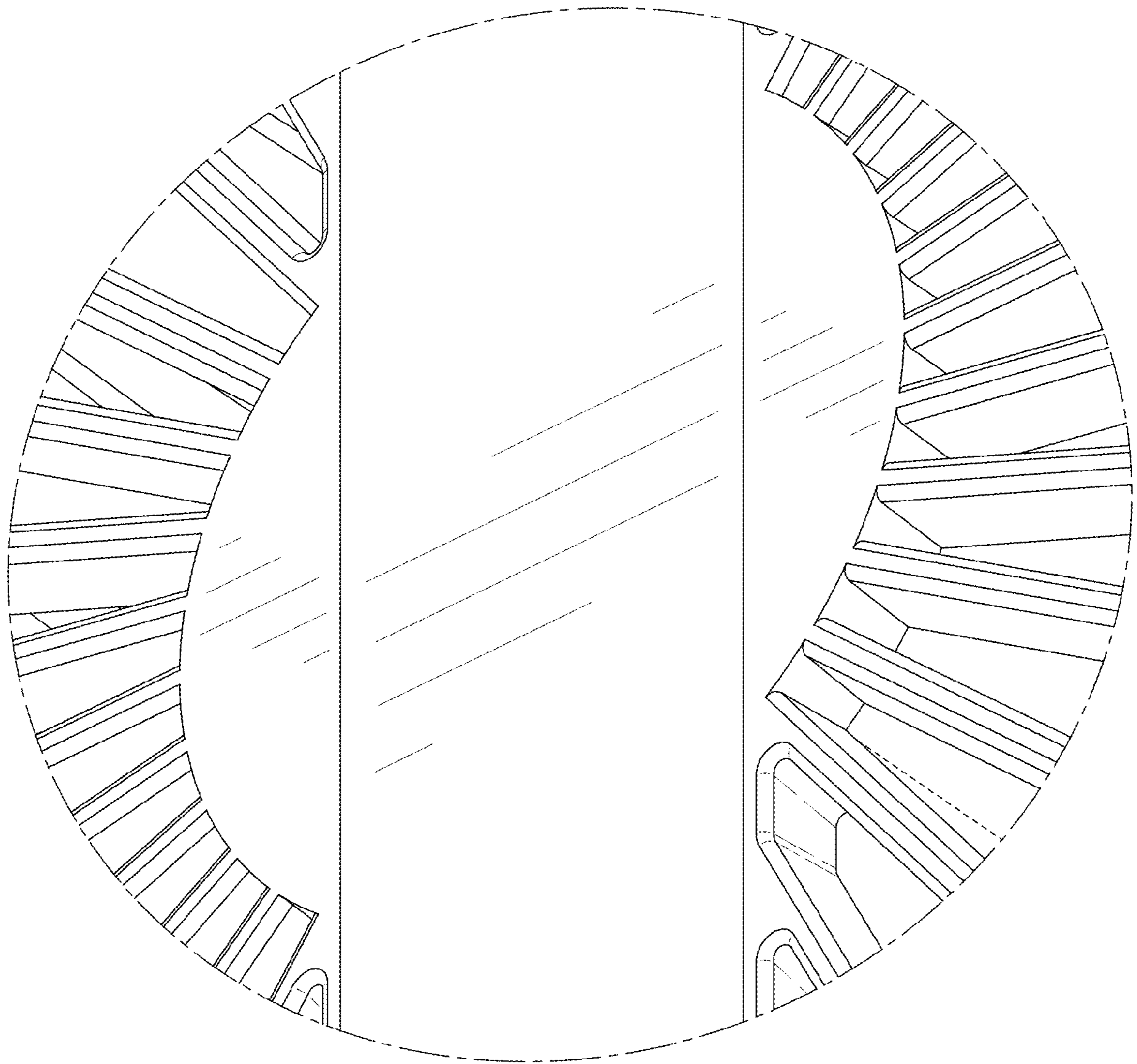


FIG. 12