



US00D977083S

(12) **United States Design Patent** (10) **Patent No.:** **US D977,083 S**  
**An** (45) **Date of Patent:** **\*\* Jan. 31, 2023**

(54) **DIFFUSER FOR PERFUMES OR ESSENTIAL OILS**

261/88; Y10S 261/89; H04B 1/3877;  
F24F 6/00; F24F 6/06; F24F 1/00; F24F  
1/02; F24F 1/022

(71) Applicant: **Sang Jeong An**, Incheon (KR)

See application file for complete search history.

(72) Inventor: **Sang Jeong An**, Incheon (KR)

(56) **References Cited**

(\*\*) Term: **15 Years**

U.S. PATENT DOCUMENTS

(21) Appl. No.: **35/513,527**

D251,435 S *	3/1979	Dokken	.....	D19/85
D304,670 S *	11/1989	Johnson	.....	D7/400
D455,608 S *	4/2002	McWilliams	.....	D7/400
D475,879 S *	6/2003	Thomas	.....	D6/552
D620,574 S *	7/2010	Jorgensen	.....	D23/366
D620,982 S *	8/2010	Parshad	.....	D19/81
D651,703 S *	1/2012	Ritzenhoff	.....	D23/366
D661,789 S *	6/2012	Brown	.....	D23/366
D872,518 S *	1/2020	Robb	.....	D7/412
D880,894 S *	4/2020	Liu	.....	D6/552

(22) Filed: **Jul. 30, 2021**

(80) **Hague Agreement Data**

Int. Filing Date: **Jul. 30, 2021**  
Int. Reg. No.: **DM/216545**  
Int. Reg. Date: **Jul. 30, 2021**  
Int. Reg. Pub. Date: **Feb. 4, 2022**

\* cited by examiner

(30) **Foreign Application Priority Data**

Feb. 2, 2021 (KR) ..... 30-2021-0005464

*Primary Examiner* — Gino Colan  
*Assistant Examiner* — David OBrien

(51) **LOC (14) Cl.** ..... **23-04**

(57) **CLAIM**

(52) **U.S. Cl.**  
USPC ..... **D23/366**

The ornamental design for a diffuser for perfumes or essential oils, as shown and described.

(58) **Field of Classification Search**

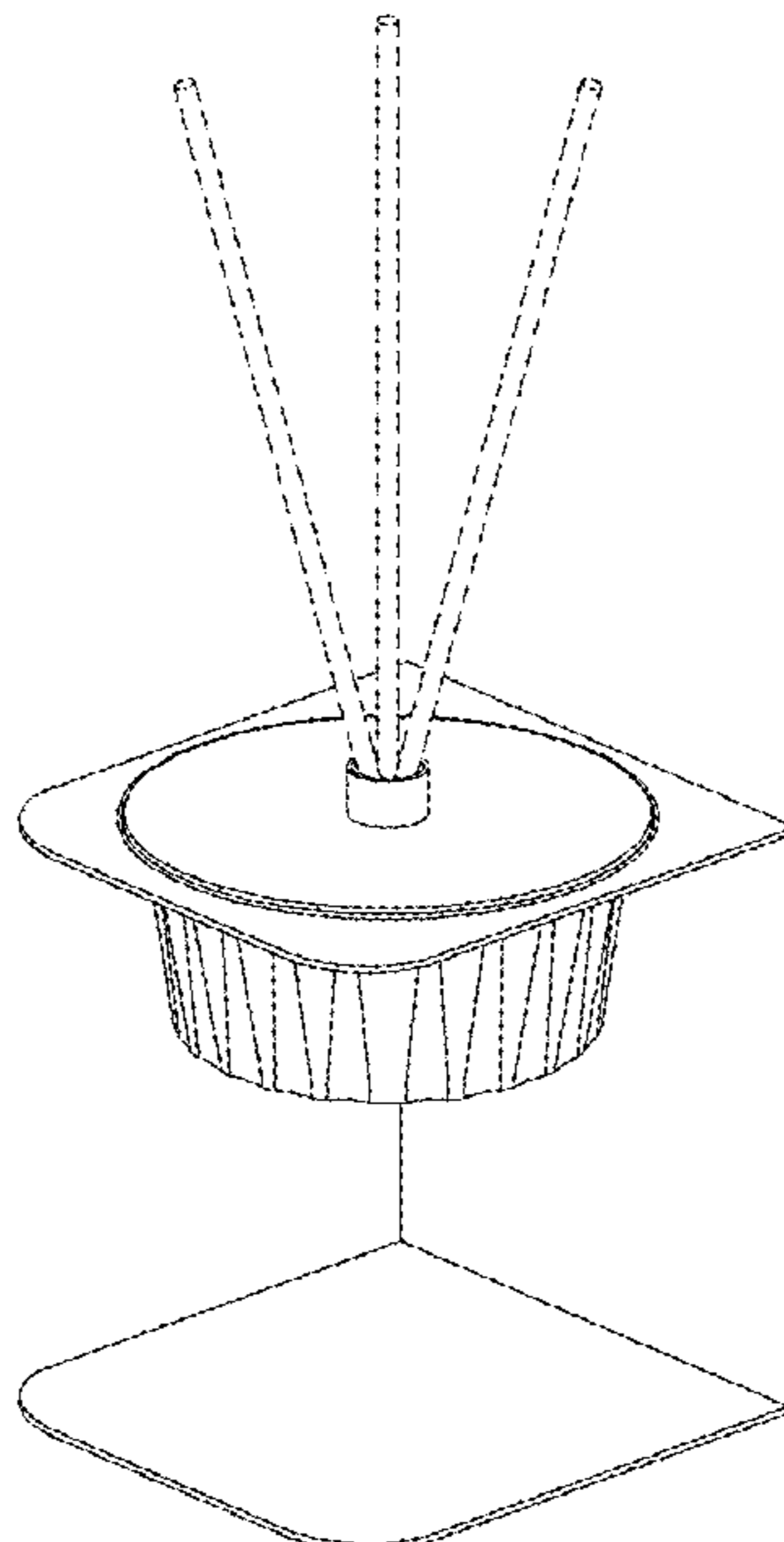
**DESCRIPTION**

USPC ..... D23/213, 314, 332-336, 341, 355-369, D23/370, 378; D26/26, 40, 46, 49, 97, D26/123, 124; D14/125, 195, 204, 221, D14/228, 240, 253, 348, 350, 358, 496; D12/415; D21/332; D11/143, 146, 152, D11/153; D7/309, 310, 388, 397-401, D7/412, 667, 669; D6/552; D19/81, 85  
CPC ..... A61L 9/03; A61L 9/04; A61L 9/05; A61L 9/12; A61L 9/14; A61L 9/012; A61L 9/015; A61L 9/048; A61L 9/122; A61L 9/127; A61L 2209/11; A61L 2209/14; A61L 2209/133; Y10S 261/17; Y10S

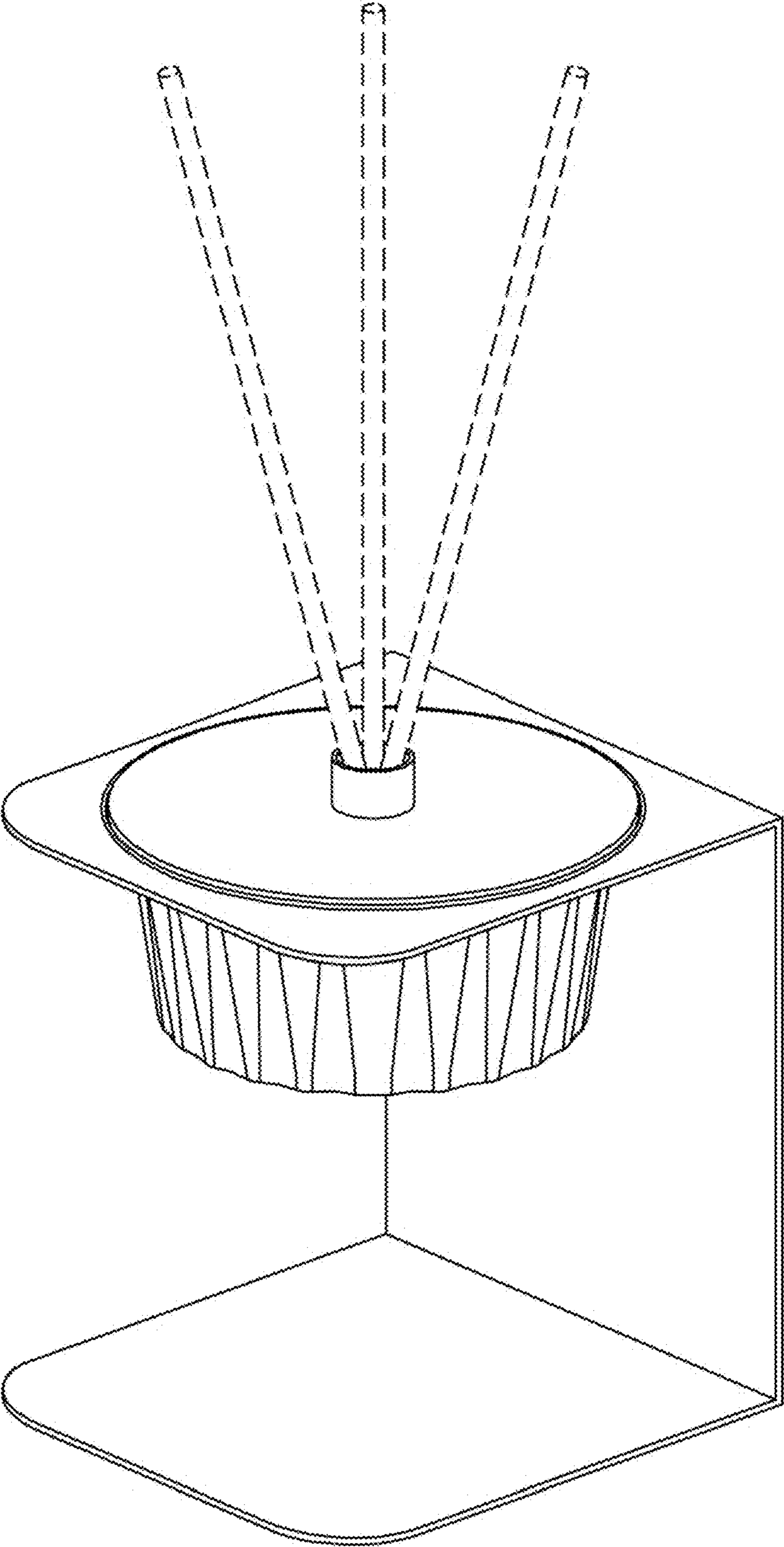
1. Diffuser for perfumes or essential oils
- 1.1 : Perspective
- 1.2 : Right
- 1.3 : Bottom
- 1.4 : Front
- 1.5 : Left
- 1.6 : Top

The parts shown by means of broken lines in the reproductions are not part of the claimed design.

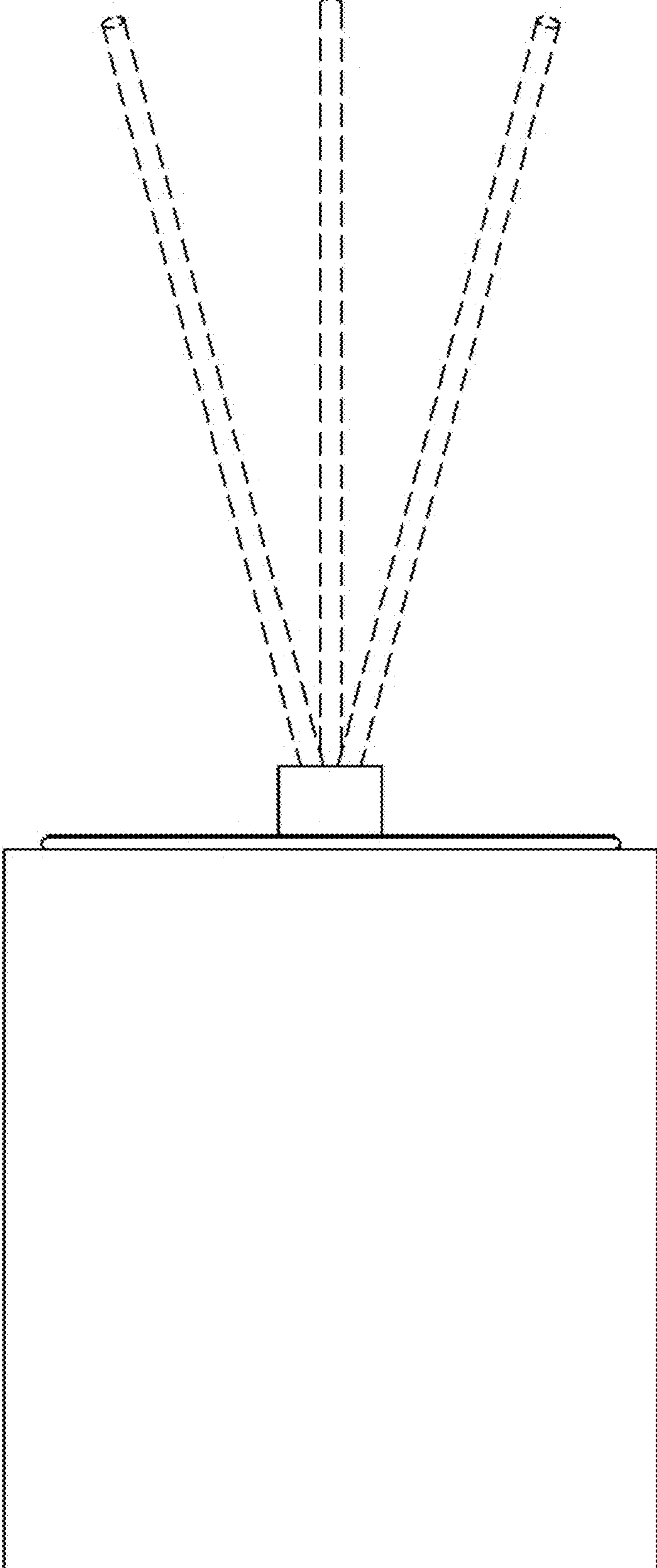
**1 Claim, 6 Drawing Sheets**



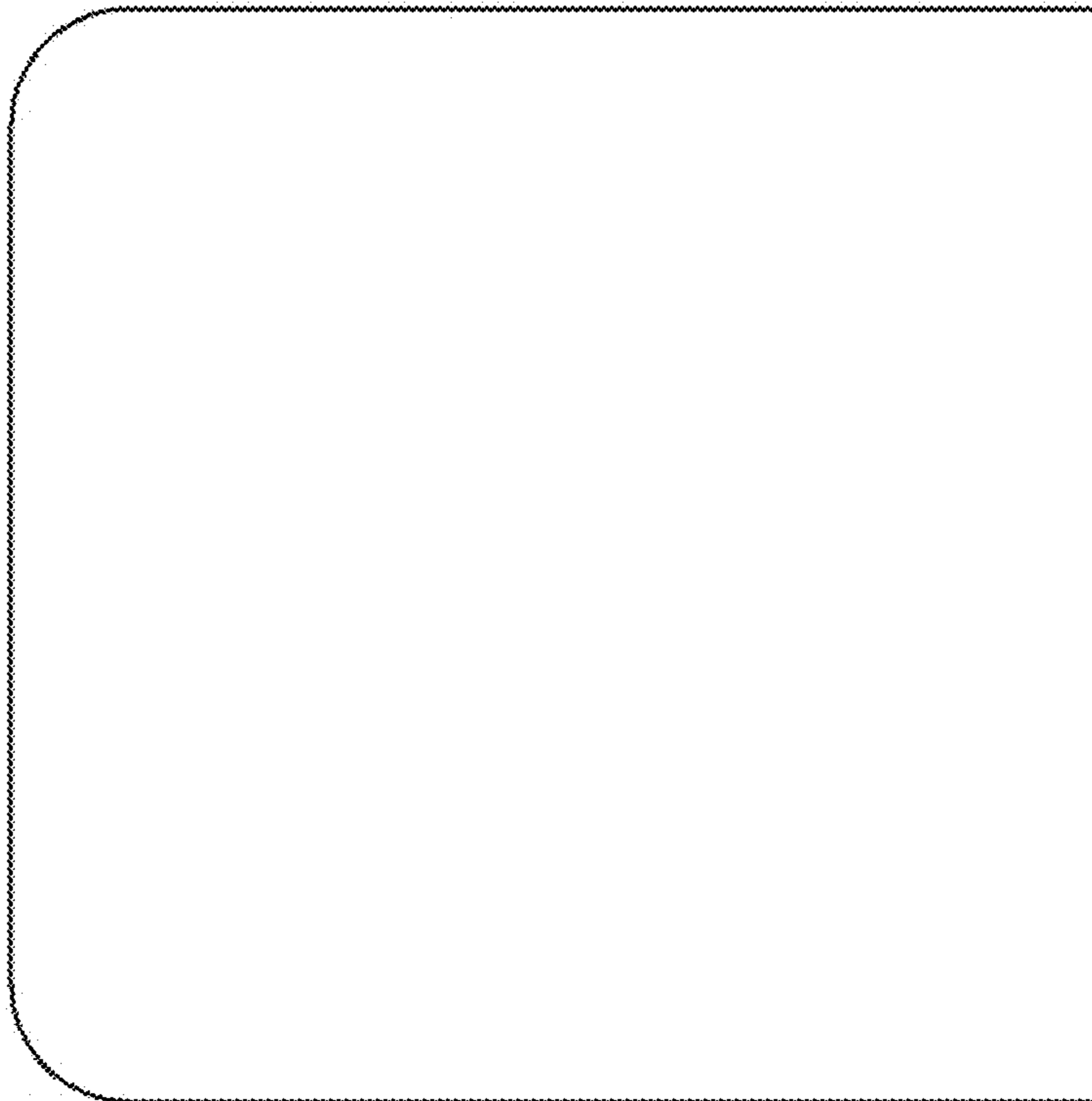
1.1



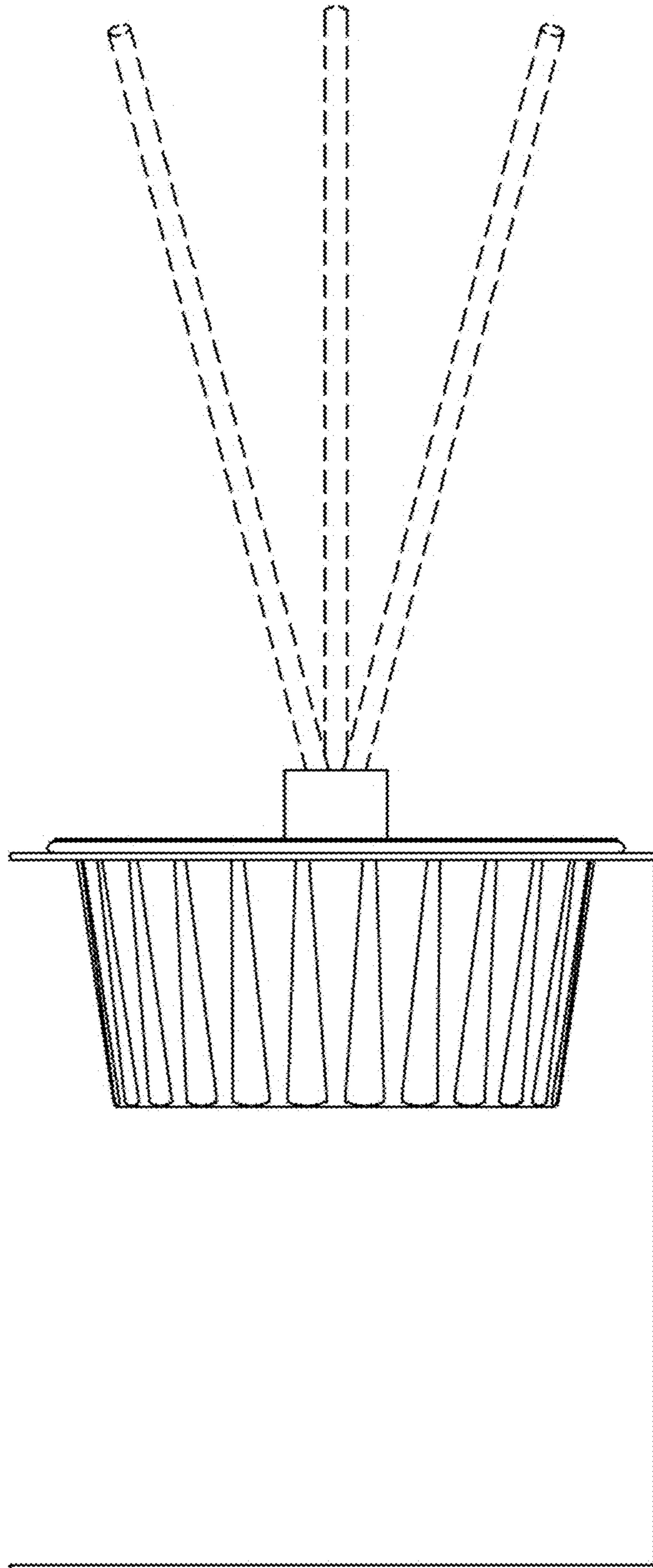
1.2



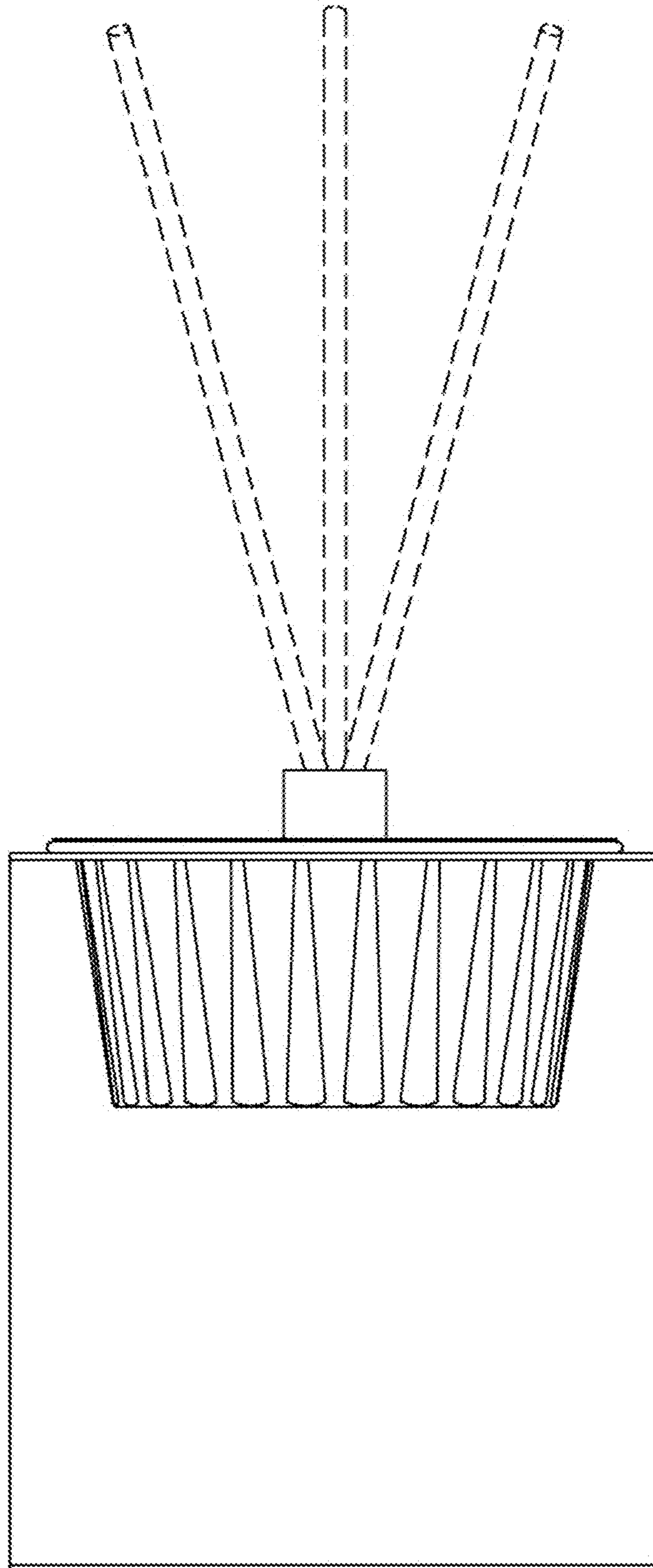
**1.3**



1.4



1.5



1.6

