



US00D977082S

(12) **United States Design Patent**
Damavandi

(10) **Patent No.:** **US D977,082 S**
(45) **Date of Patent:** **** Jan. 31, 2023**

(54) **DIFFUSER STAND**

(71) Applicant: **DAJ GLOBAL PARTNERS LLC**, Los Angeles, CA (US)

(72) Inventor: **David Damavandi**, Los Angeles, CA (US)

(**) Term: **15 Years**

(21) Appl. No.: **29/735,080**

(22) Filed: **May 18, 2020**

(51) **LOC (14) Cl.** **20-02**

(52) **U.S. Cl.**
USPC **D23/363**

(58) **Field of Classification Search**

USPC D23/356, 359, 360, 364-365, 378, 499;
D7/600.1-600.4, 701-708; D28/73

CPC A61M 21/02; A61M 2021/0016

See application file for complete search history.

(56) **References Cited**

U.S. PATENT DOCUMENTS

- 3,898,910 A * 8/1975 Groff F41A 21/32
89/14.3
- D271,655 S * 12/1983 Numbers D7/707
- 4,643,104 A * 2/1987 Rasmussen A47F 5/05
108/147.11
- D323,446 S * 1/1992 Morse A47G 19/00
D6/680.1
- D396,096 S * 7/1998 Corbitt D23/366
- D496,831 S * 10/2004 Strahota D7/600.3
- D642,405 S * 8/2011 Fröhne D6/677.1
- D665,902 S * 8/2012 Esjunin D23/499
- D679,056 S * 3/2013 Mazza D28/73

(Continued)

FOREIGN PATENT DOCUMENTS

- CN 305635765 * 3/2020
- CN 306249945 * 12/2020

(Continued)

OTHER PUBLICATIONS

Fidelis Essential Oil Holder Diffuser Stand Carousel, first available Jan. 29, 2021[online], [site visited Feb. 28, 2022]. Available from internet, URL:<<https://www.amazon.com/Fidelis-Essential-Diffuser-Carousel-Bottles/dp/B08VD4GNJ9/>> (Year: 2021).*

(Continued)

Primary Examiner — Barbara Fox

Assistant Examiner — Jamaal Rasheed

(74) *Attorney, Agent, or Firm* — Hackler Daghighian
Martino & Novak

(57) **CLAIM**

The ornamental design for a diffuser stand, as shown and described.

DESCRIPTION

FIG. 1 is an isometric view of a diffuser stand illustrating my new design;

FIG. 2 is a second isometric view thereof;

FIG. 3 is a third isometric view thereof;

FIG. 4 is a fourth isometric view thereof;

FIG. 5 is a fifth isometric view thereof with removeable containers shown in broken lines;

FIG. 6 is a left-side elevation view thereof;

FIG. 7 is a cross-sectional view of the diffuser stand taken in the direction of the line 7-7 shown in FIG. 6.

FIG. 8 is a right-side elevation view thereof;

FIG. 9 is a front elevation view thereof;

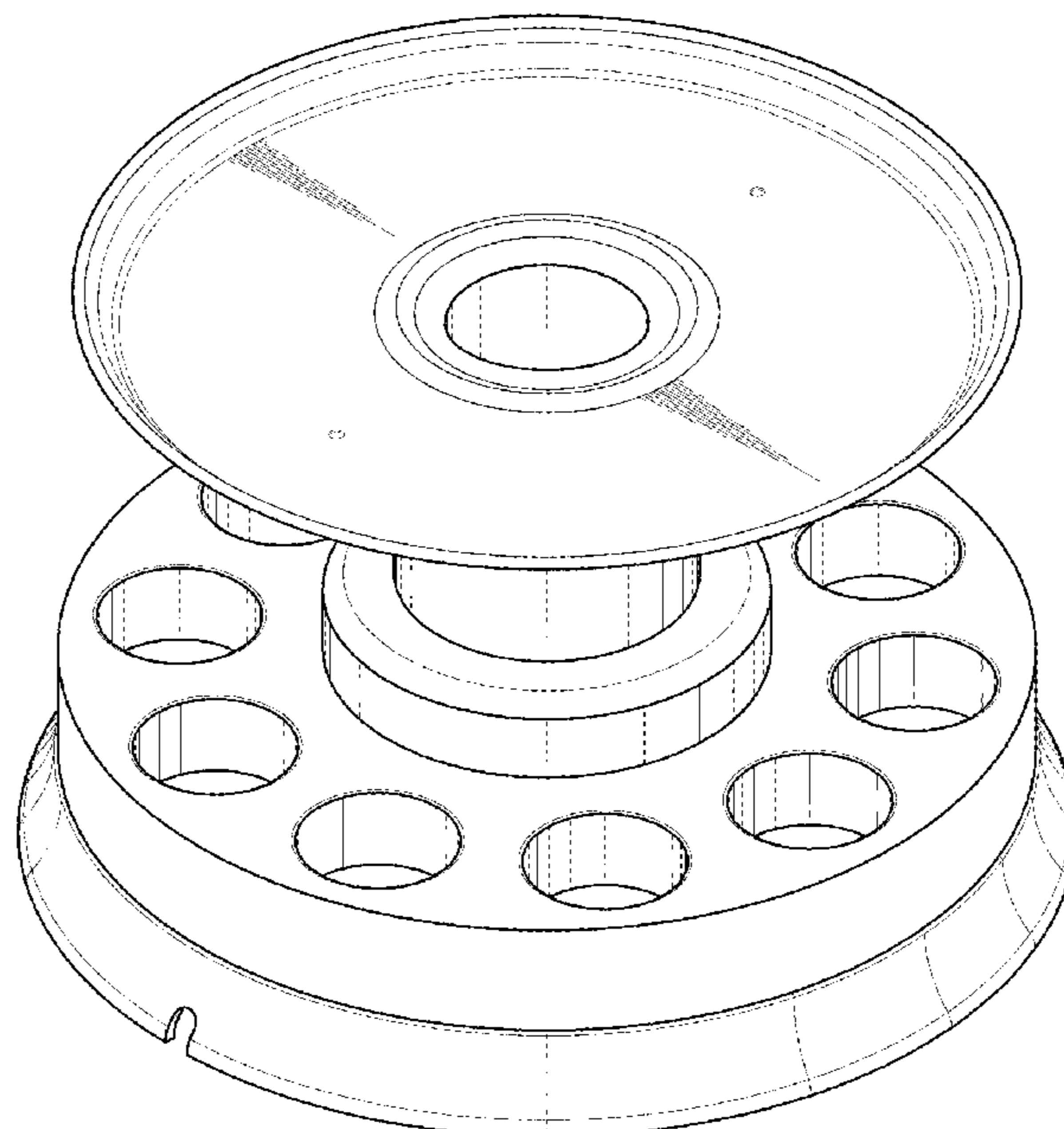
FIG. 10 is a back elevation view thereof;

FIG. 11 is a top plan view thereof; and,

FIG. 12 is a bottom plan view thereof.

The broken lines in FIG. 5 depict removeable aroma containers that may be held by the diffuser stand and form no part of the claimed design.

1 Claim, 12 Drawing Sheets



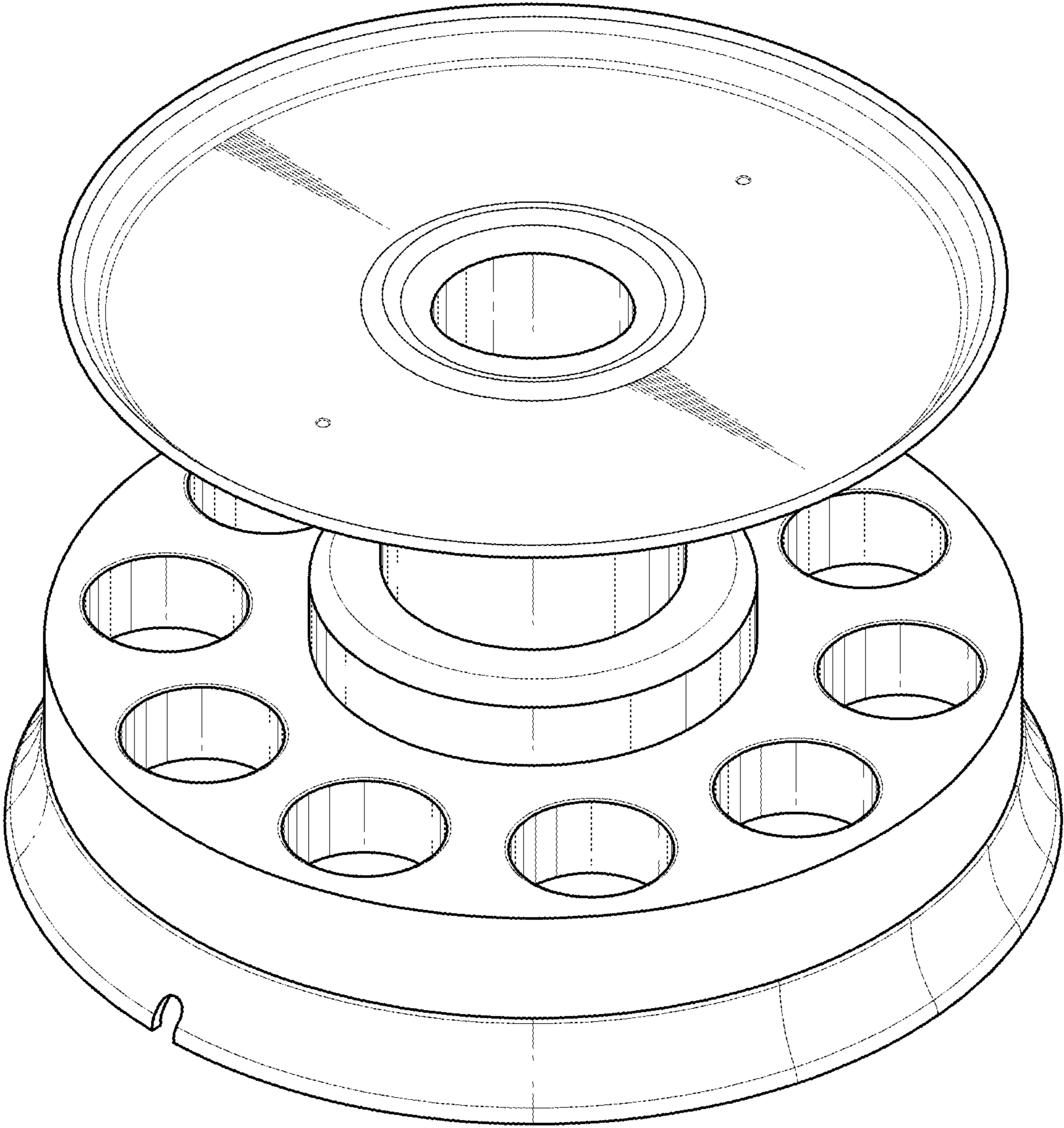


FIG. 1

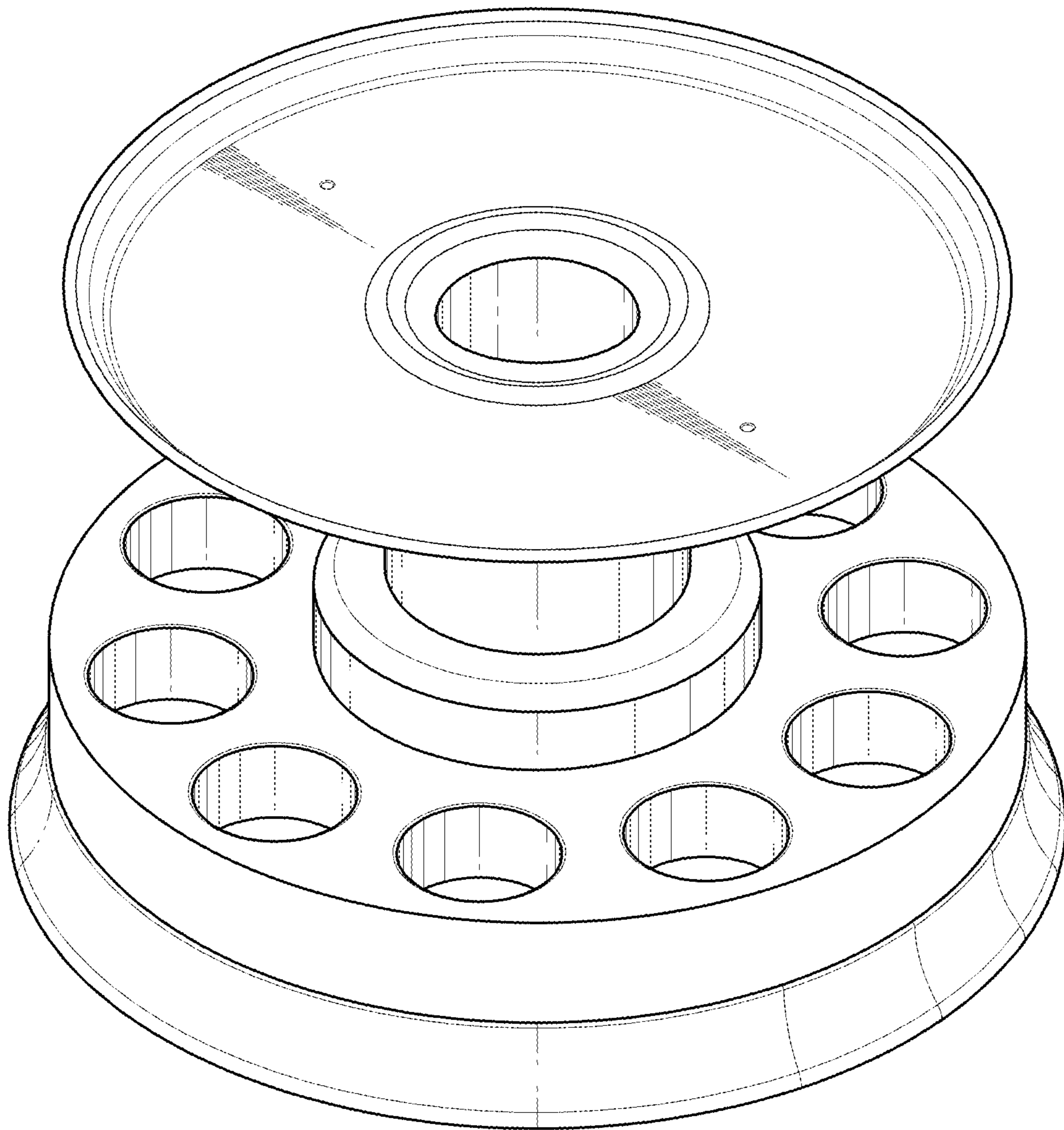


FIG. 2

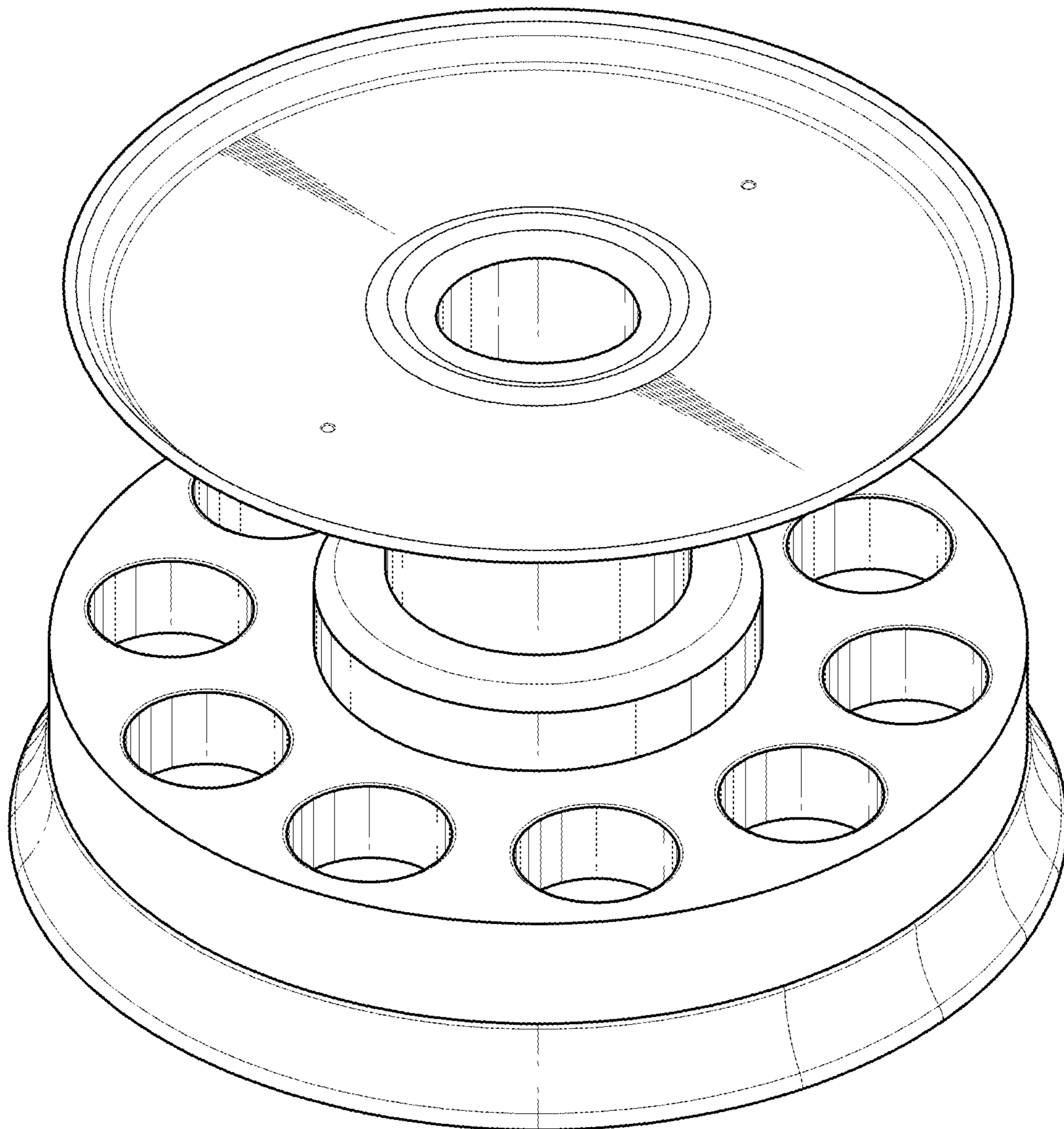


FIG. 3

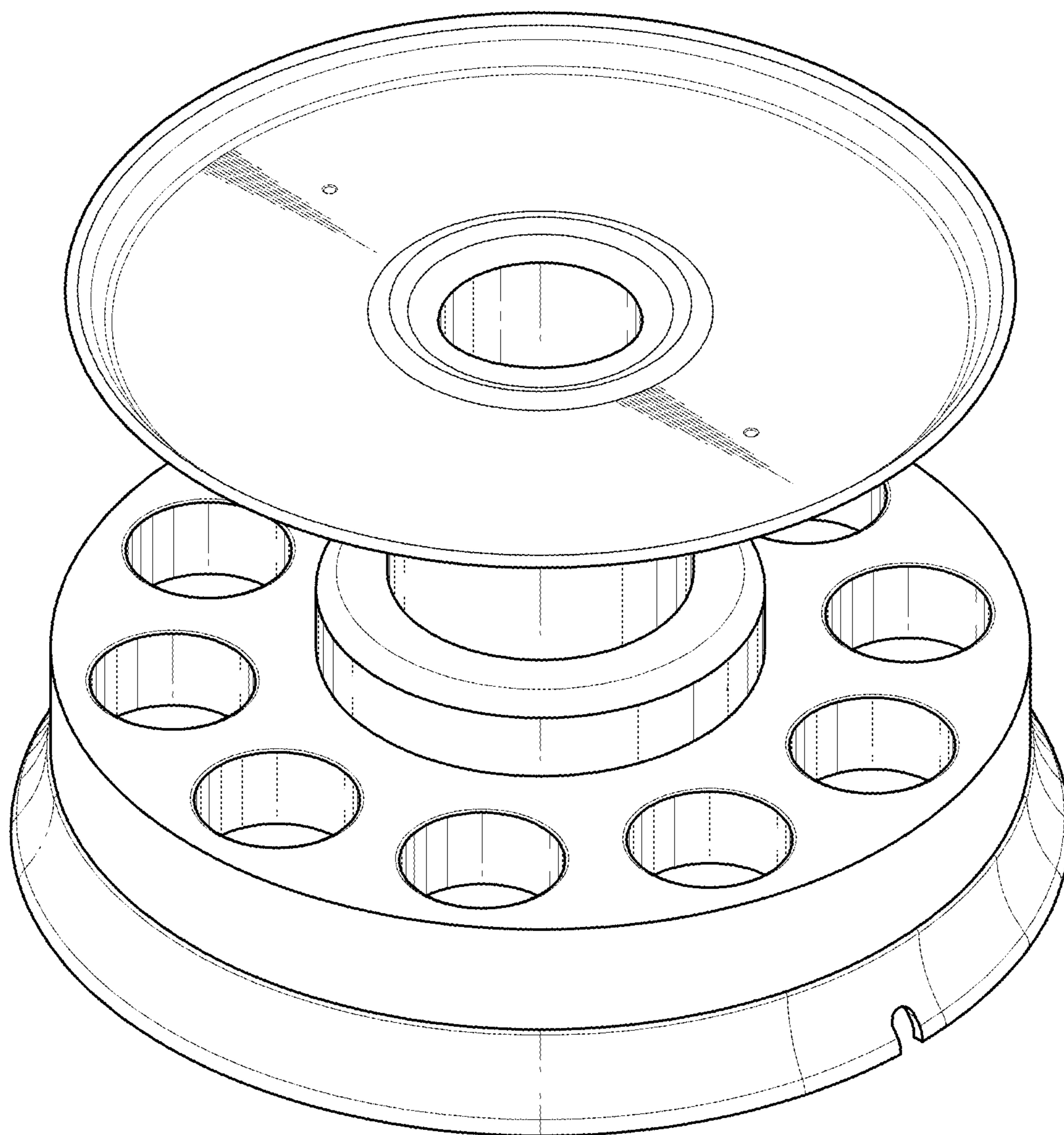


FIG. 4

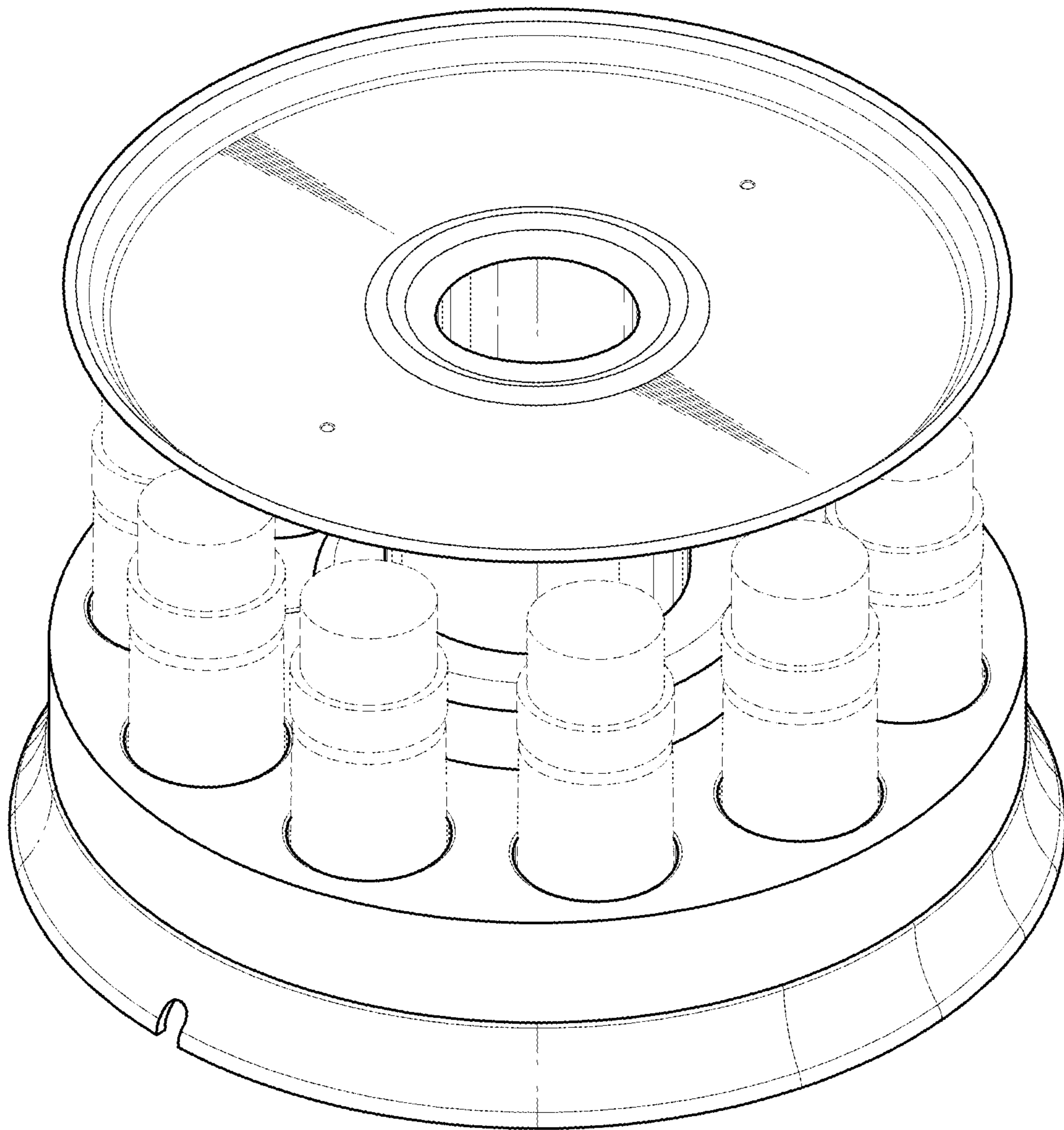


FIG. 5

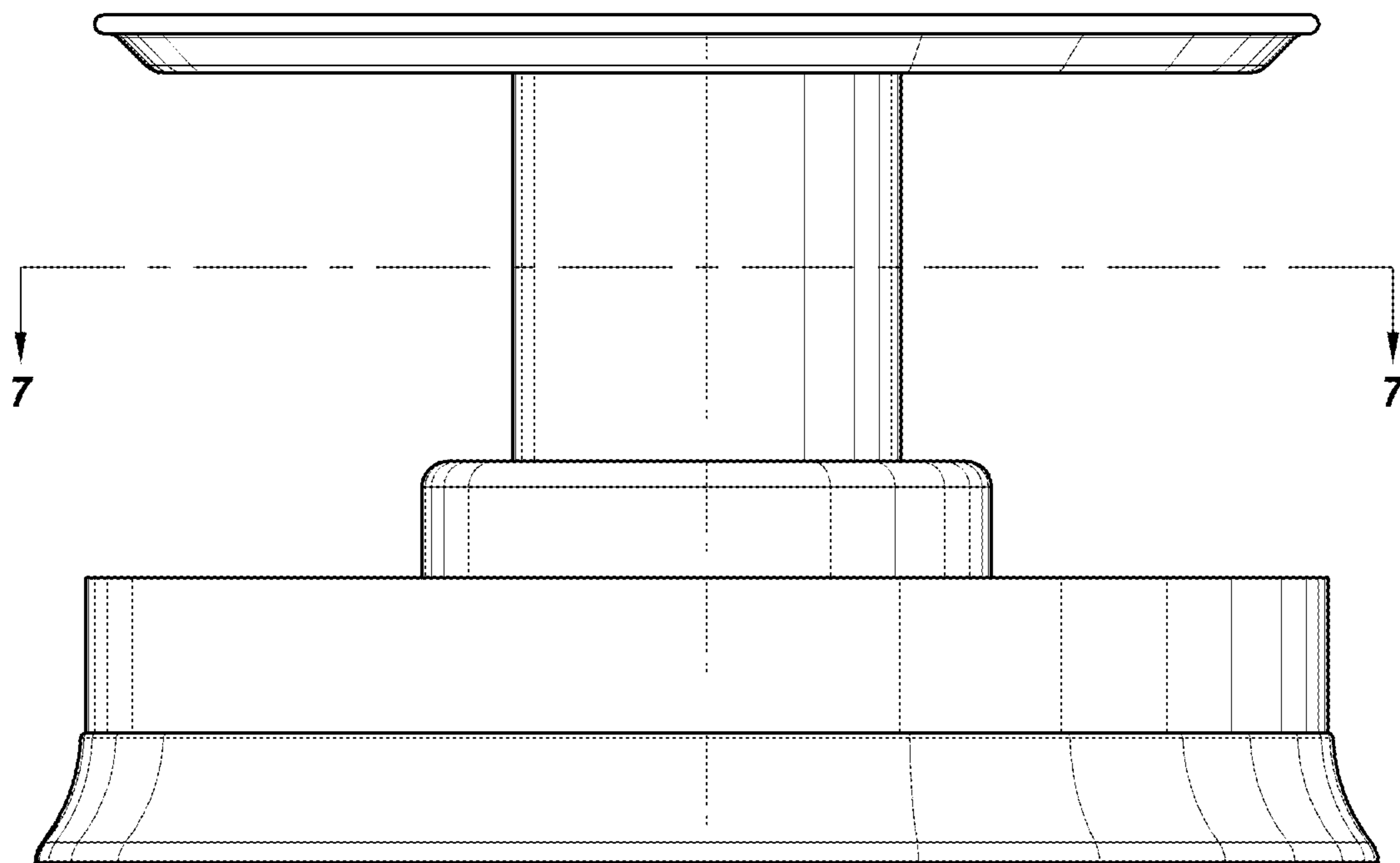


FIG. 6

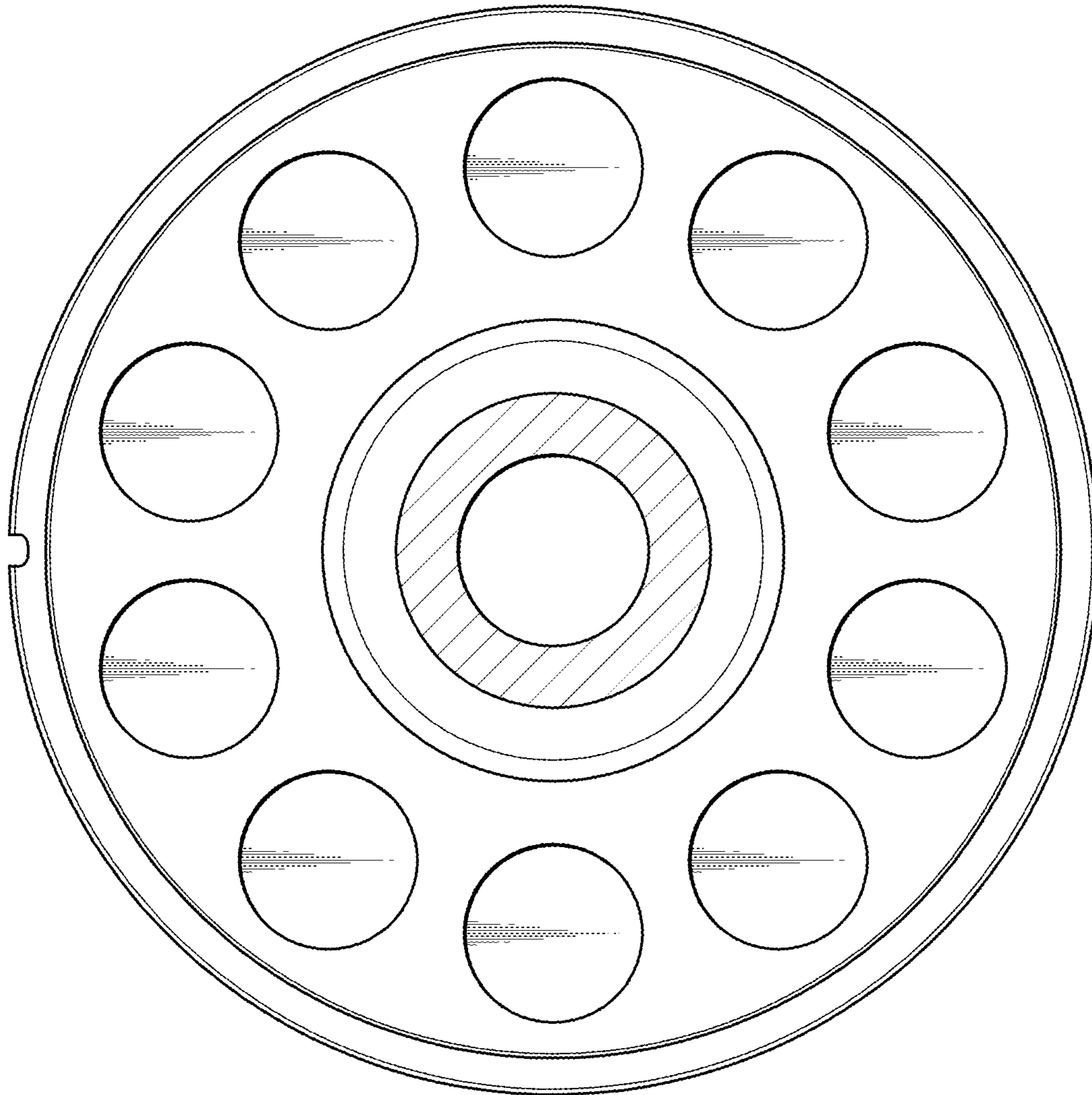


FIG. 7

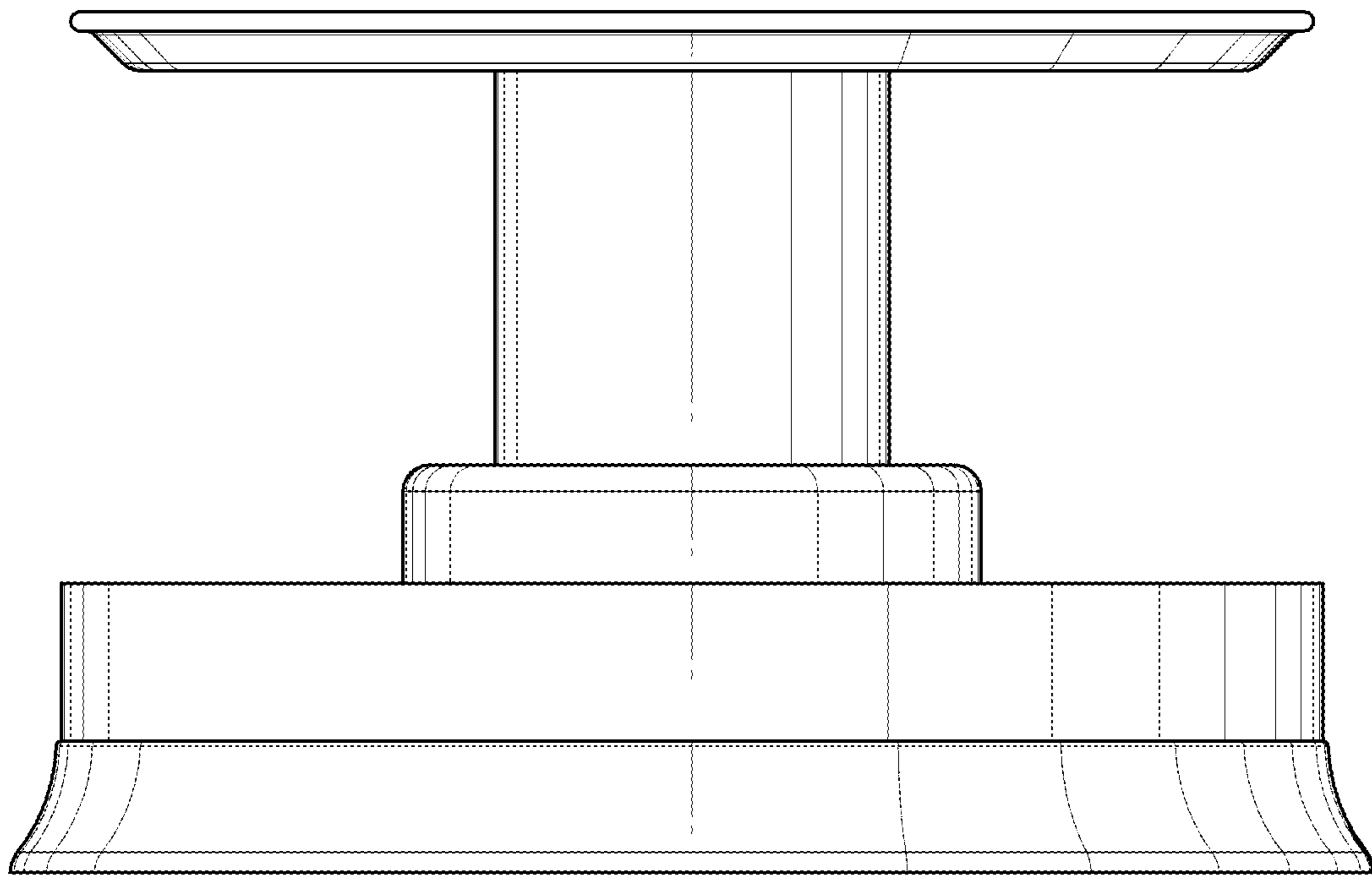


FIG. 8

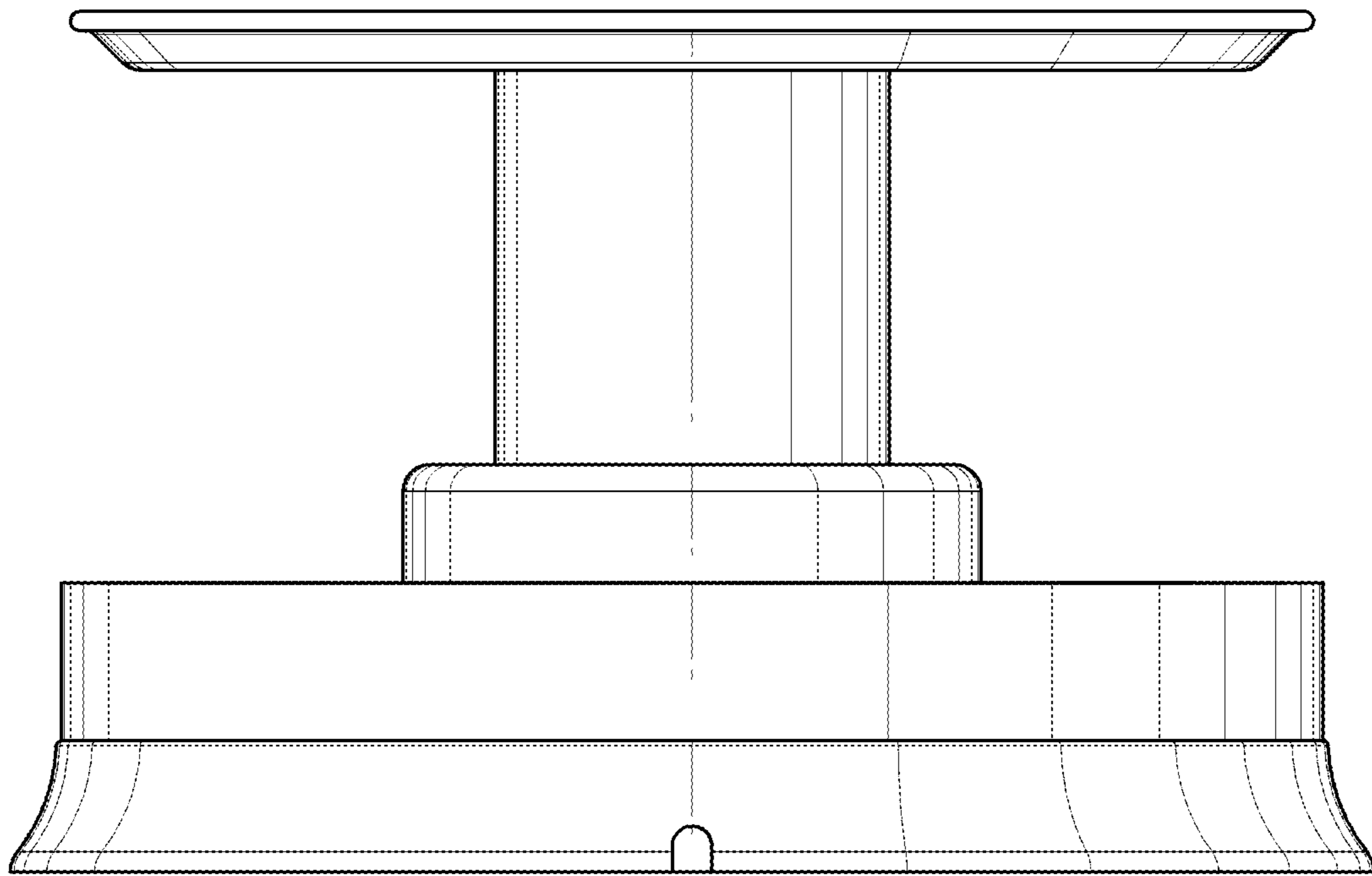


FIG. 9

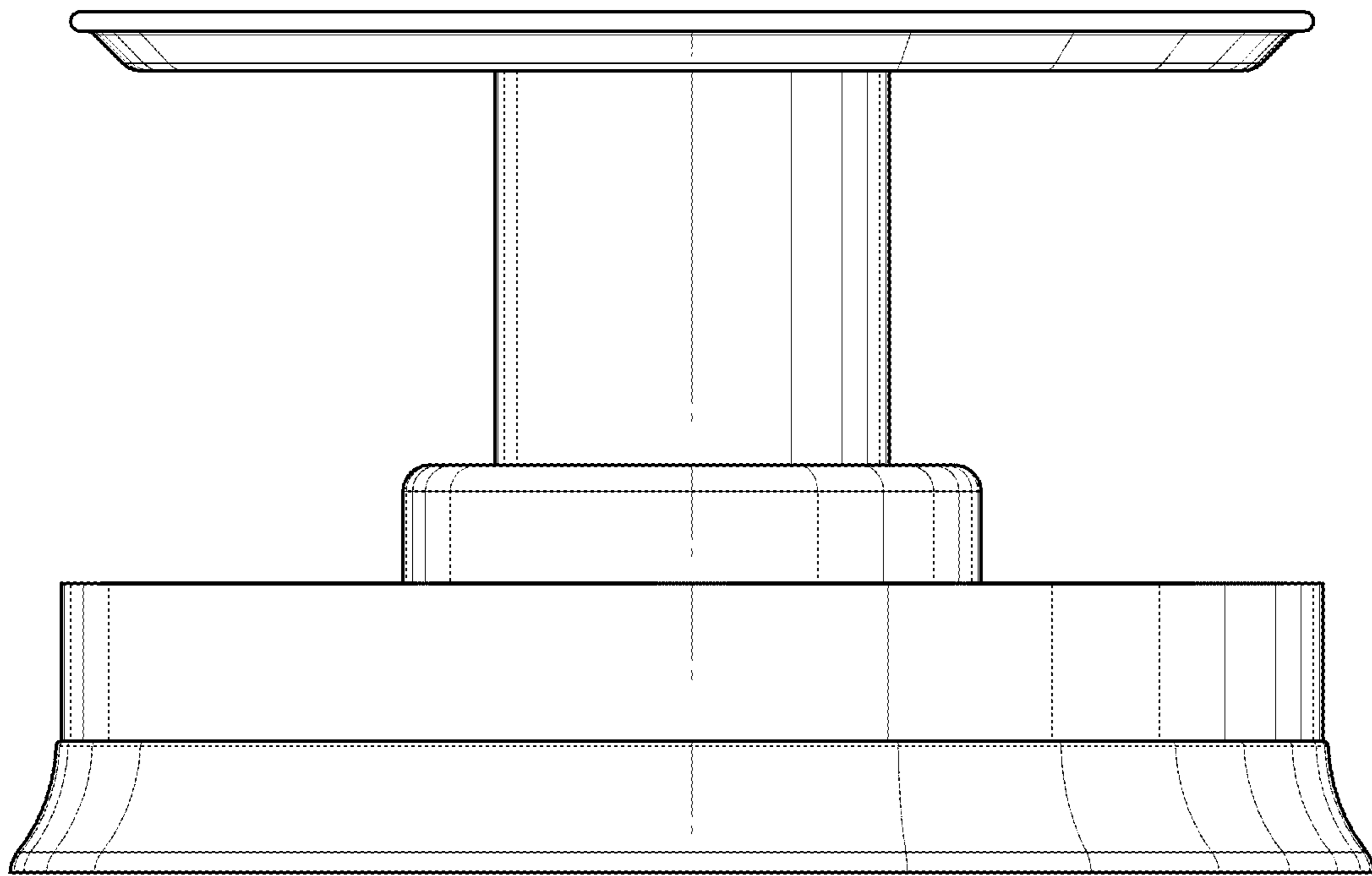


FIG. 10

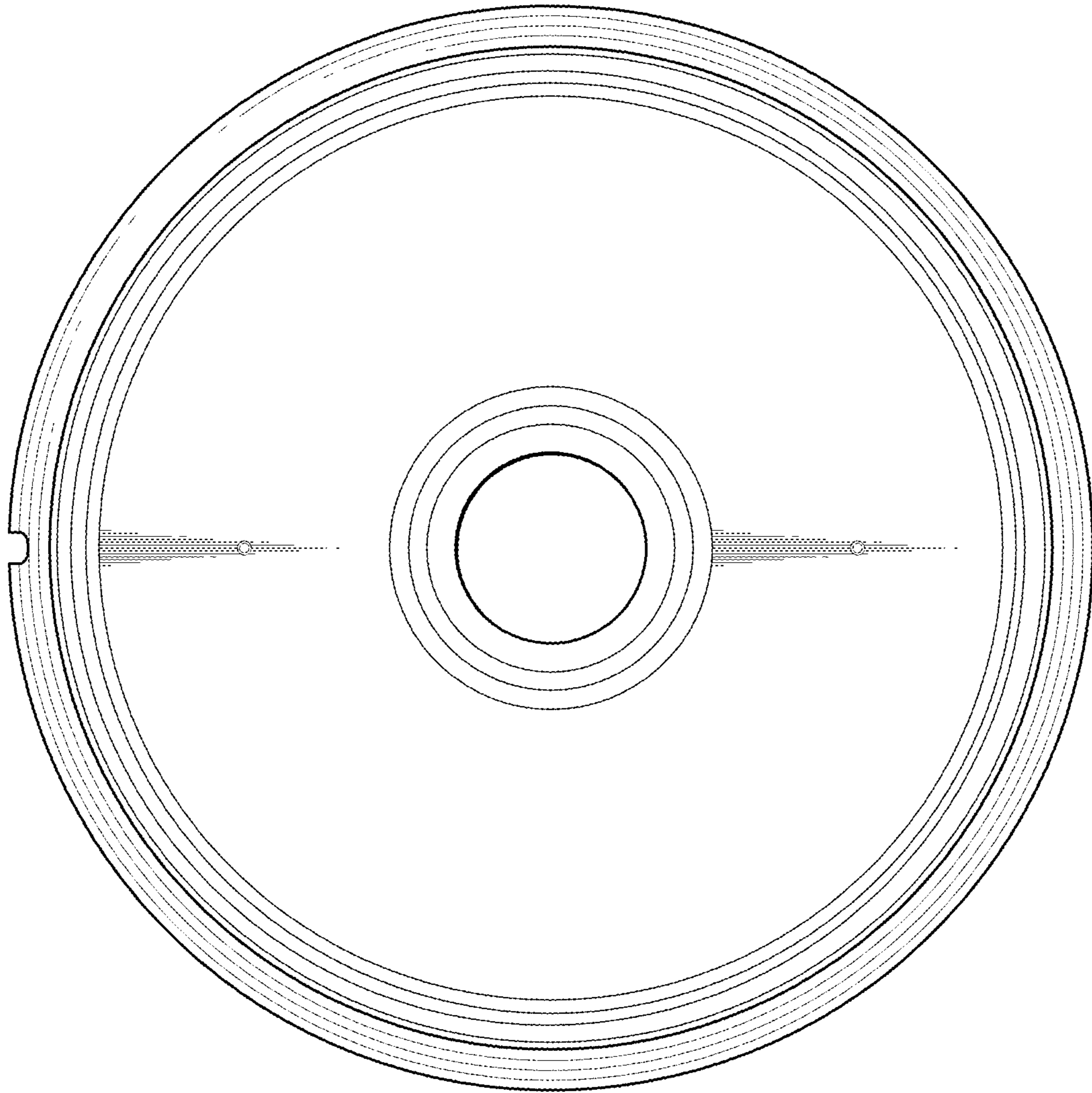


FIG. 11

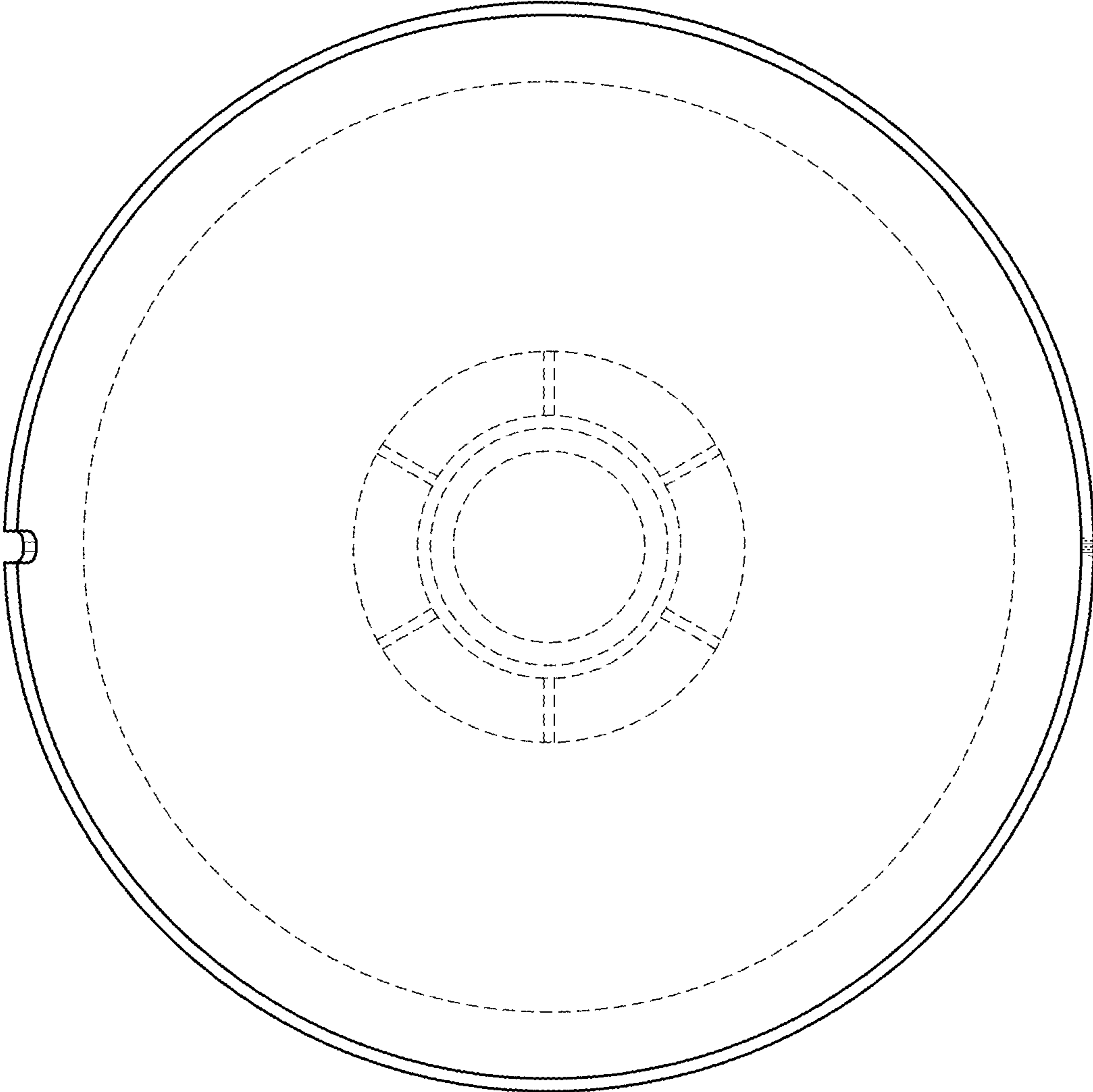


FIG. 12