



US00D977077S

(12) **United States Design Patent** (10) **Patent No.:** **US D977,077 S**
Yu (45) **Date of Patent:** **** Jan. 31, 2023**

(54) **SIDE SINK**
(71) Applicant: **Mila International Inc.**, Huntington Beach, CA (US)
(72) Inventor: **Shujen Yu**, Las Vegas, NV (US)
(73) Assignee: **Mila International Inc.**, Huntington Beach, CA (US)
(**) Term: **15 Years**
(21) Appl. No.: **29/778,906**
(22) Filed: **Apr. 15, 2021**
(51) **LOC (14) Cl.** **23-02**
(52) **U.S. Cl.**
USPC **D23/285**
(58) **Field of Classification Search**
USPC D23/284–286, 290, 293.1, 308, 499
CPC A47B 77/06; A47K 1/02; A47L 17/02;
E03C 1/14; E03C 1/18; E03C 1/182;
E03C 1/186
See application file for complete search history.

D810,285 S * 2/2018 Adams D24/123
D814,613 S * 4/2018 Taylor D23/284
D857,182 S * 8/2019 Lilly D23/308
10,851,530 B1 * 12/2020 Zhang E03C 1/048
11,377,831 B2 * 7/2022 Yu E03C 1/335
2010/0275369 A1 11/2010 Eilmus et al.
2012/0266377 A1 10/2012 Eilmus

(Continued)

FOREIGN PATENT DOCUMENTS

CA 2639213 C 2/2014
CA 172032 * 8/2017

(Continued)

OTHER PUBLICATIONS

Rubbermaid Antimicrobial Dish Bucket, first available Jun. 27, 2015[online], [site visited Sep. 6, 2022]. Available from internet, URL:<<https://www.amazon.ca/dp/B00D8OI13S>> (Year: 2015).*

(Continued)

Primary Examiner — David G Muller
Assistant Examiner — Jamaal Rasheed
(74) *Attorney, Agent, or Firm* — Harness, Dickey & Pierce, P.L.C.

(56) **References Cited**
U.S. PATENT DOCUMENTS

62,082 A 2/1867 Smith
4,033,461 A 7/1977 Nevai
4,041,964 A 8/1977 Shamoon
D346,014 S * 4/1994 Berge D23/284
D354,119 S * 1/1995 Hauser, II D23/284
D393,699 S * 4/1998 Bonnell D23/284
6,814,090 B2 11/2004 DeBoer et al.
7,305,723 B2 12/2007 Fulks
D602,132 S * 10/2009 Mahon D23/284
D606,176 S * 12/2009 Urquiola D23/293.1
D606,177 S * 12/2009 Urquiola D23/293.1
D657,028 S * 4/2012 Eilmus D23/284
D677,991 S * 3/2013 Chan D7/586
D758,601 S * 6/2016 Galati, Jr. D24/204
9,574,333 B2 2/2017 O'Brien et al.

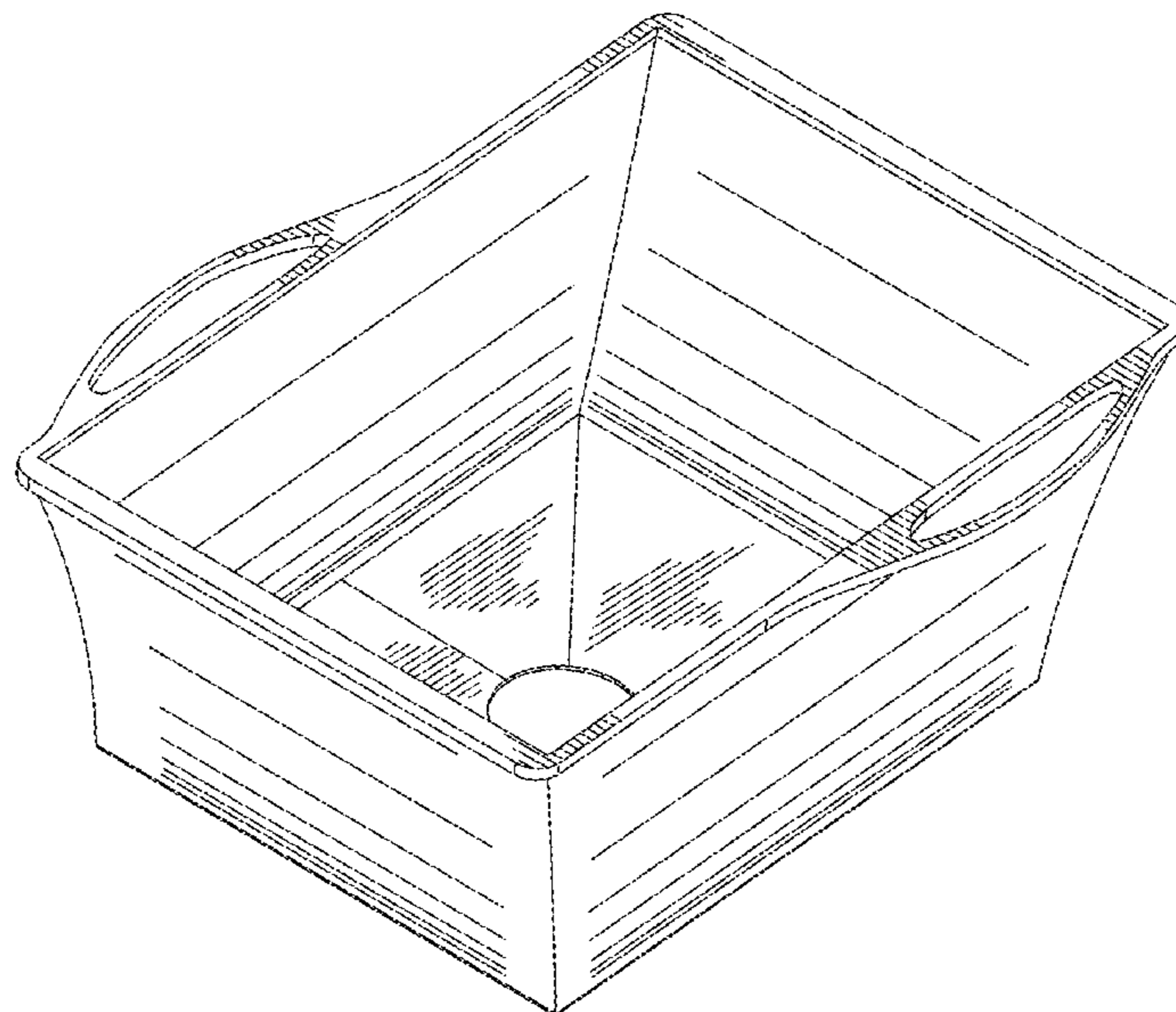
(57) **CLAIM**

The ornamental design for a side sink, as shown and described.

DESCRIPTION

FIG. 1 is a top perspective view of a side sink;
FIG. 2 is a right side view thereof (the left side view is identical to the right side view);
FIG. 3 is a top plan view thereof;
FIG. 4 is a bottom plan view thereof; and,
FIG. 5 is a front view thereof (the rear view is identical to the front view).

1 Claim, 5 Drawing Sheets



(56)

References Cited

U.S. PATENT DOCUMENTS

2013/0312176 A1 11/2013 Yencho
2017/0172379 A1* 6/2017 Keller A47L 19/02
2019/0085503 A1* 3/2019 Tsui B65D 41/04

FOREIGN PATENT DOCUMENTS

CN 301106481 * 1/2010
CN 103422546 B 9/2015
GB 6122543 * 3/2021
KR 300419019.0000 * 7/2006

OTHER PUBLICATIONS

Collapsible Cutting Board, first available Jan. 13, 2021 [online],
[site visited Sep. 6, 2022]. Available from internet, URL:<<https://www.amazon.com/dp/B08R57FVBB>> (Year: 2021).*

* cited by examiner

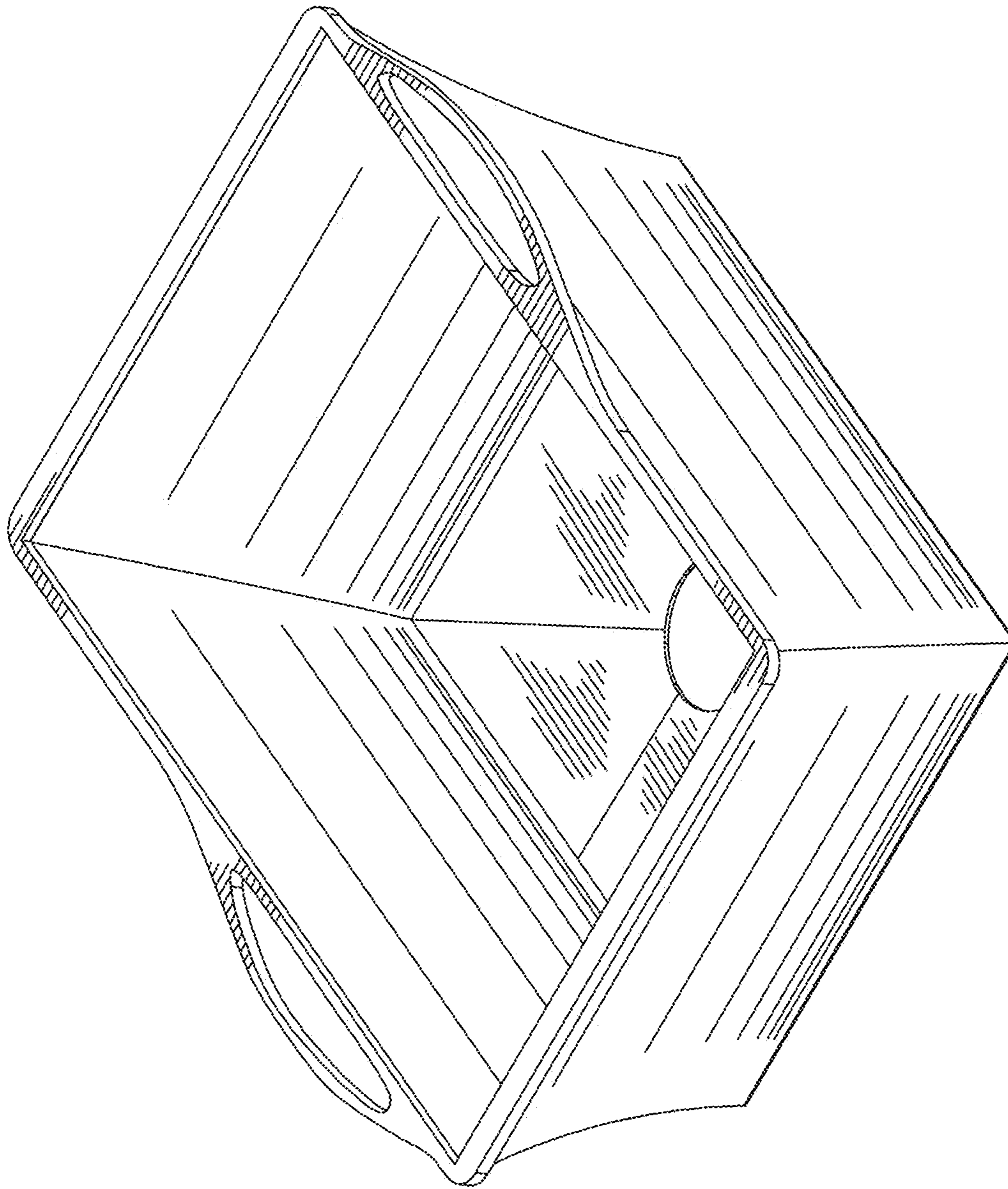


FIG. 1

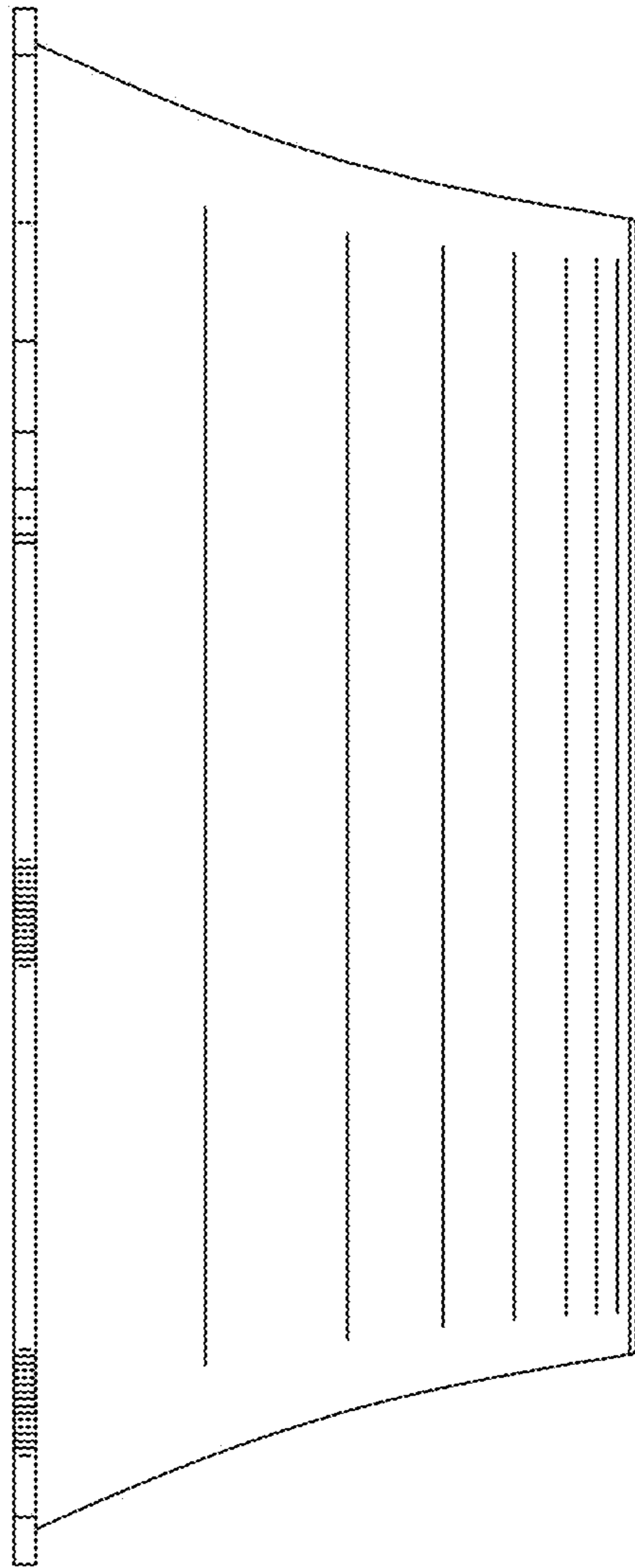


FIG. 2

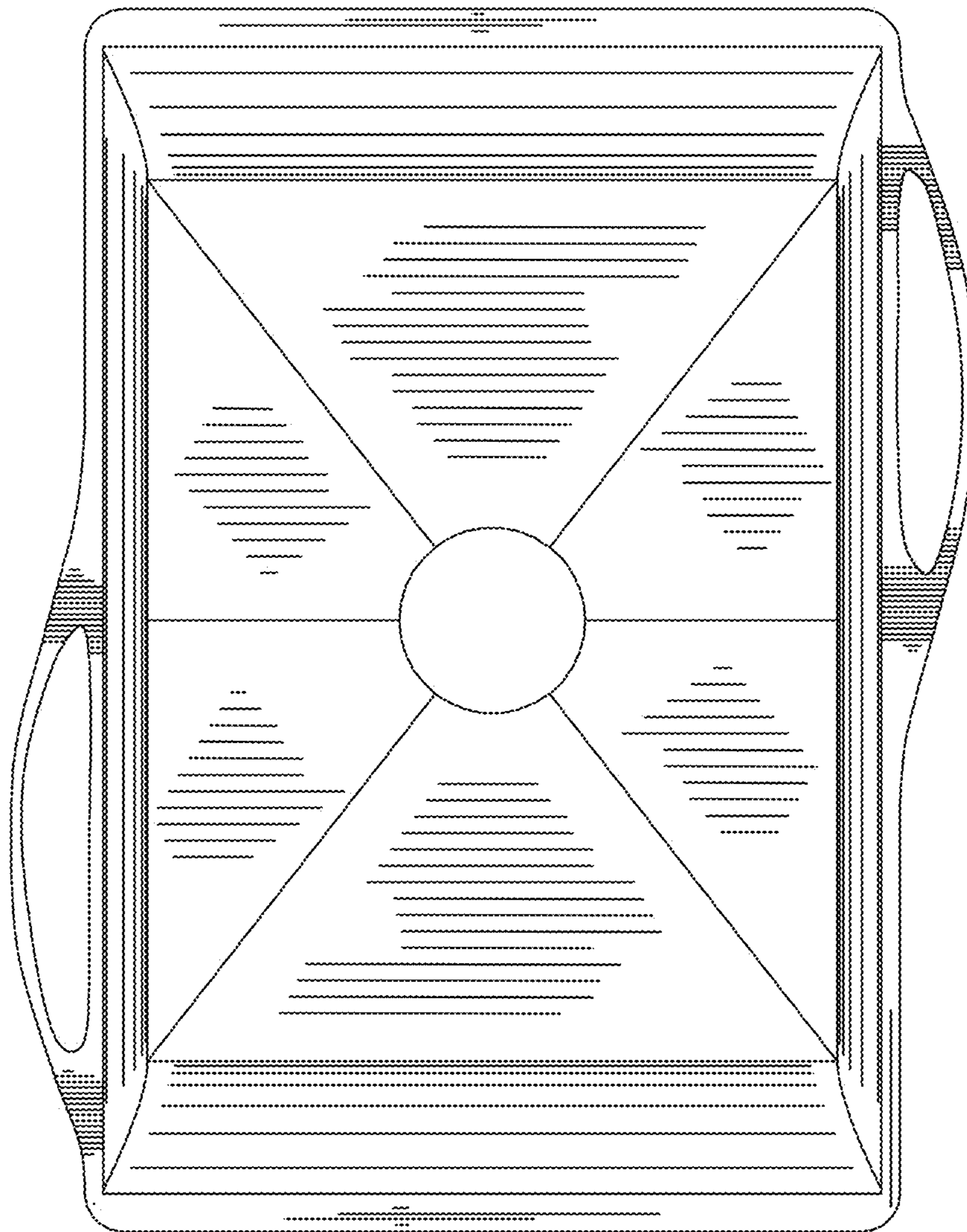


FIG. 3

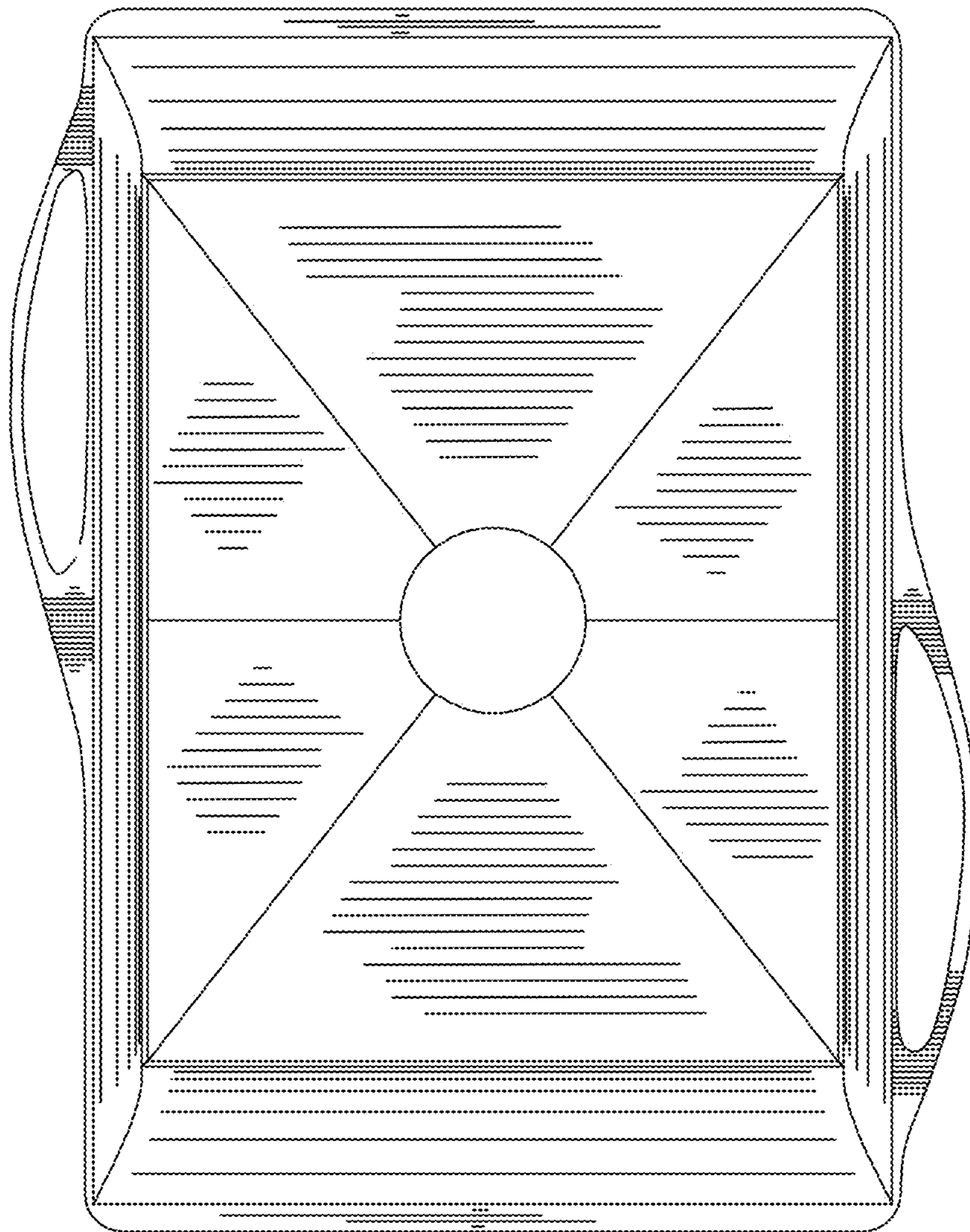


FIG. 4

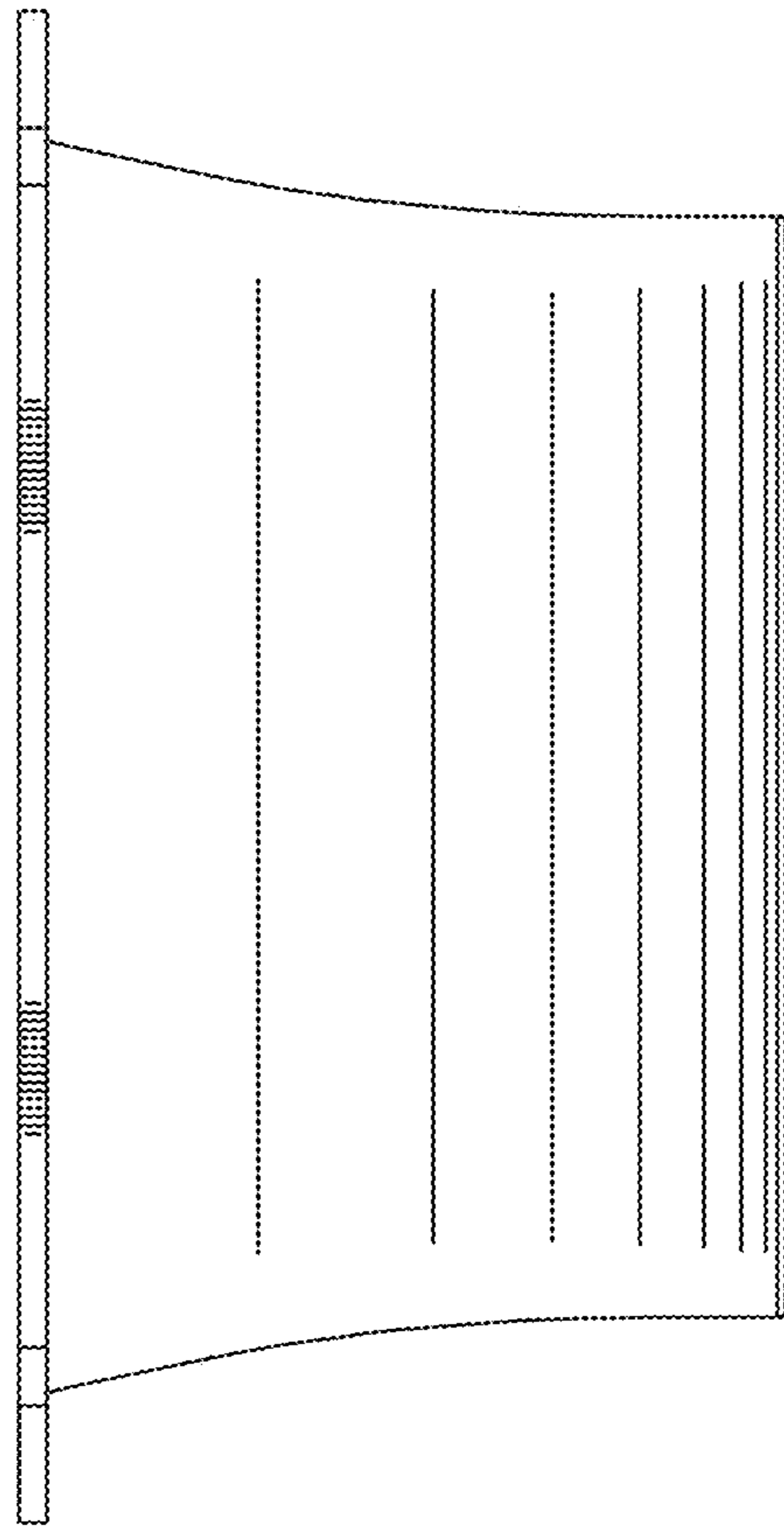


FIG. 5