



US00D977076S

(12) **United States Design Patent**
Luo

(10) **Patent No.:** **US D977,076 S**
(45) **Date of Patent:** **** Jan. 31, 2023**

(54) **BABY BATH SEAT**

https://www.amazon.com/Watolt-Baby-Bath-Babies-Months/dp/B094CHZ3MN/ref=zg_bs_23533910011_sccl_2/130-4 (Year: 2021).*

(71) Applicant: **Jiaxing Subang Trading Co., Ltd.**,
Zhejiang (CN)

* cited by examiner

(72) Inventor: **Yang Luo**, Anhui (CN)

Primary Examiner — Robert A Delehanty

(**) Term: **15 Years**

(74) *Attorney, Agent, or Firm* — Che-Yang Chen; Law
Office of Michael Chen

(21) Appl. No.: **29/849,359**

(22) Filed: **Aug. 10, 2022**

(51) **LOC (14) Cl.** **23-02**

(52) **U.S. Cl.**
USPC **D23/278**

(58) **Field of Classification Search**
USPC D23/278, 304; D6/333
See application file for complete search history.

(57) **CLAIM**

The ornamental design for a baby bath seat, as shown and described.

(56) **References Cited**

U.S. PATENT DOCUMENTS

D489,538 S *	5/2004	Shibata	D6/333
D600,027 S *	9/2009	Martin	D6/333
D873,038 S *	1/2020	Zhang	D6/333
D946,291 S *	3/2022	Wang	D6/339

OTHER PUBLICATIONS

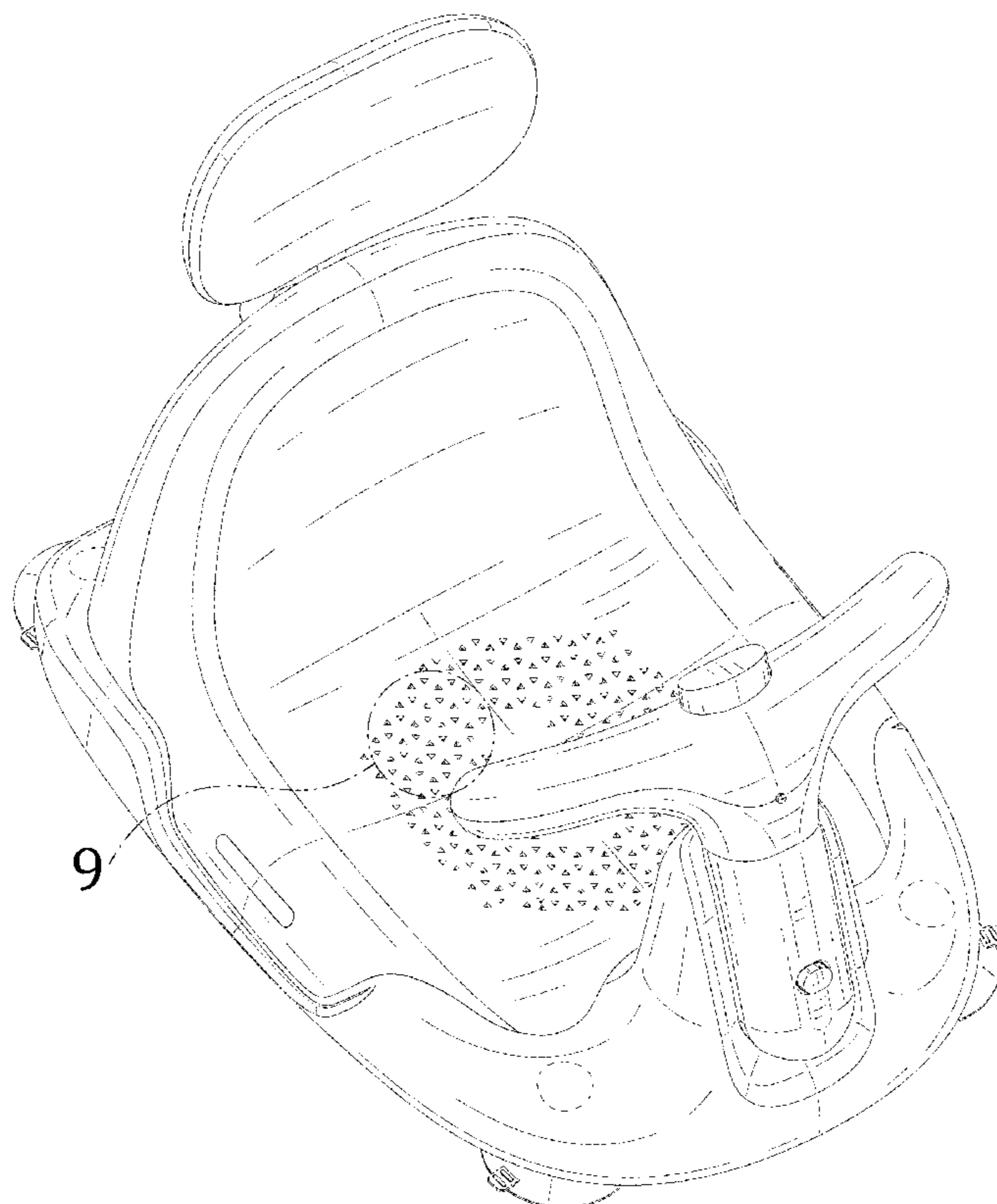
Amazon.com: Baby Bath Seat for Babies 6 Months & Up—Infant Bathtub Seat for Sit-up Bathing—Summer Toddler Bath Chair for Sitting Up in The Tub—Safety Baby Shower Chair Bath Tub Seater Bath Ring. (Year: 2021).*

DESCRIPTION

FIG. 1 is a perspective view of the baby bath seat showing my new design;
FIG. 2 is a perspective view thereof from another angle;
FIG. 3 is a front elevational view thereof;
FIG. 4 is a rear elevational view thereof;
FIG. 5 is a left side elevational view thereof;
FIG. 6 is a right side elevational view thereof;
FIG. 7 is a top plan view thereof;
FIG. 8 is a bottom plan view thereof; and,
FIG. 9 is an enlarged view of a portion indicated with numeric 9 in FIG. 1.

The broken lines shown in the drawings represent portions of the baby bath seat that form no part of the claimed design.

1 Claim, 9 Drawing Sheets



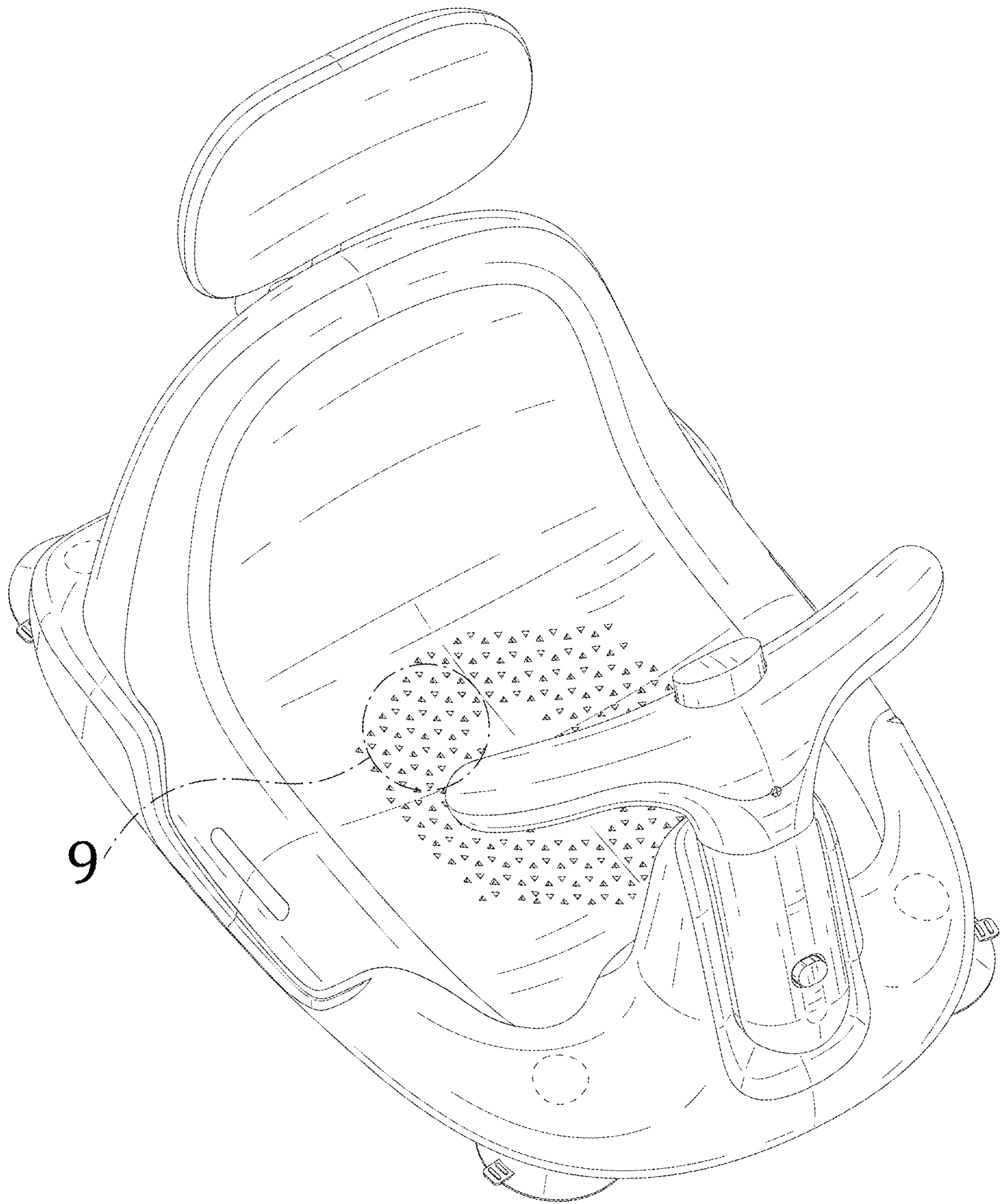


FIG. 1

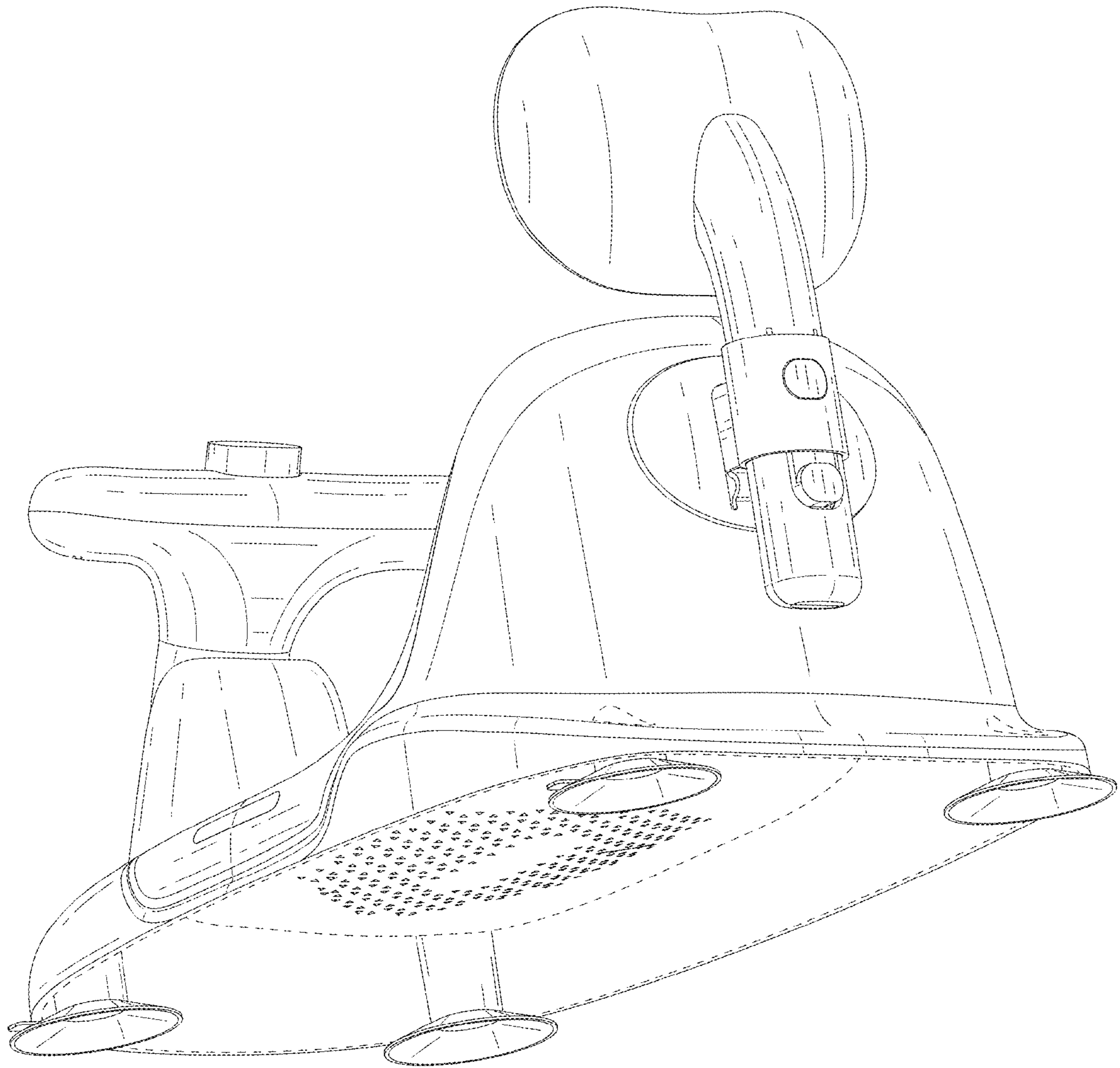


FIG. 2

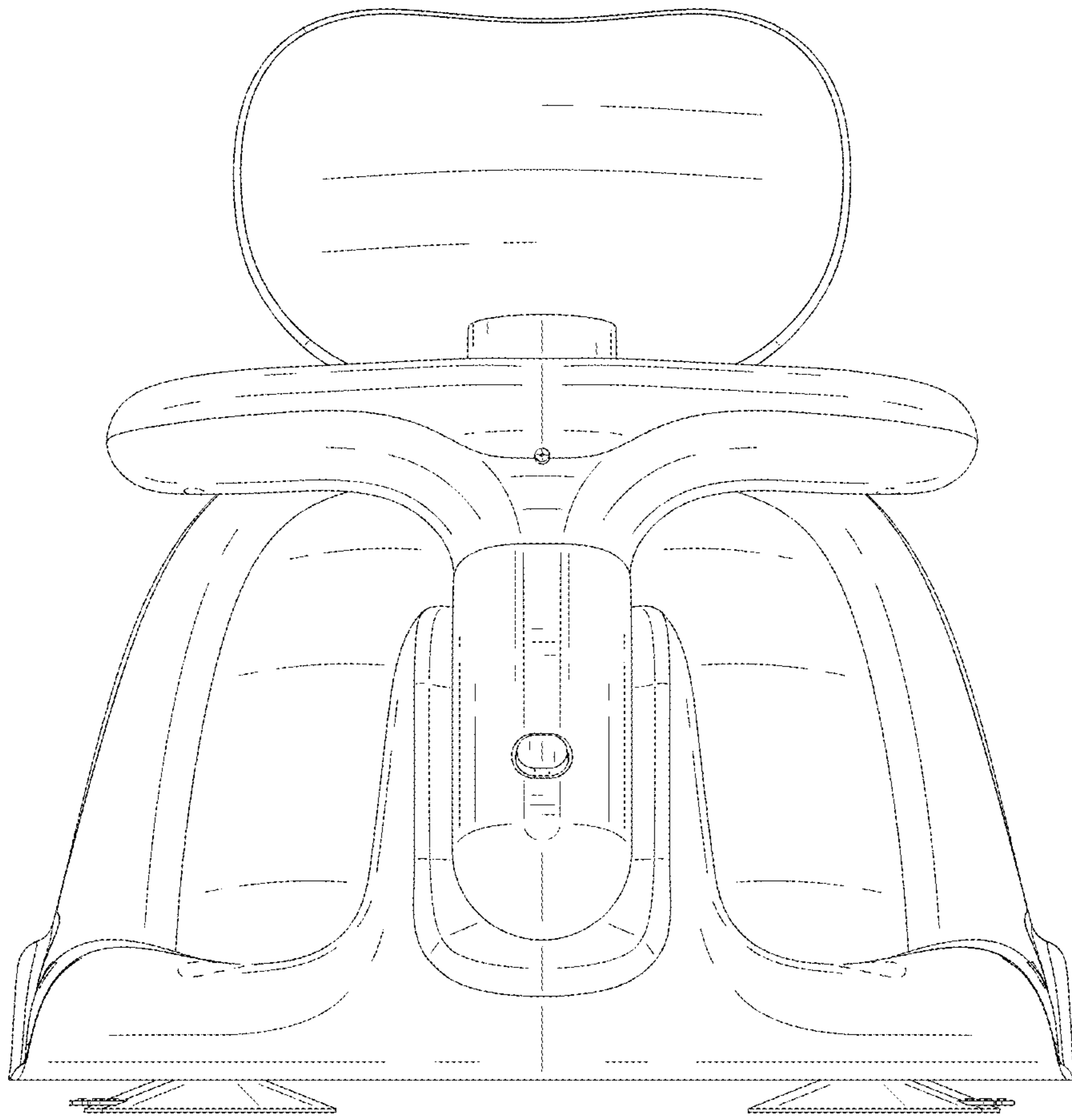


FIG. 3

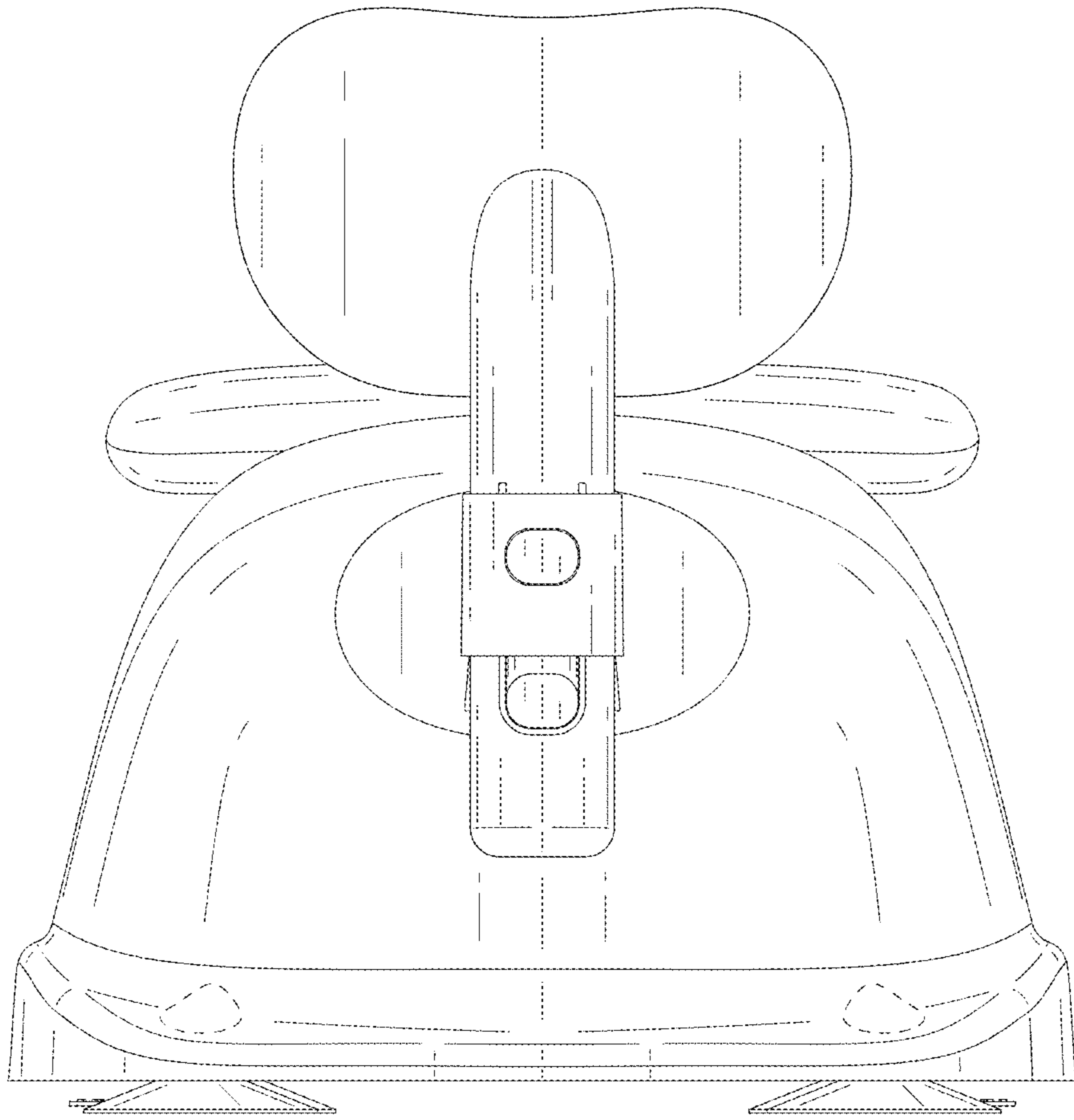


FIG. 4

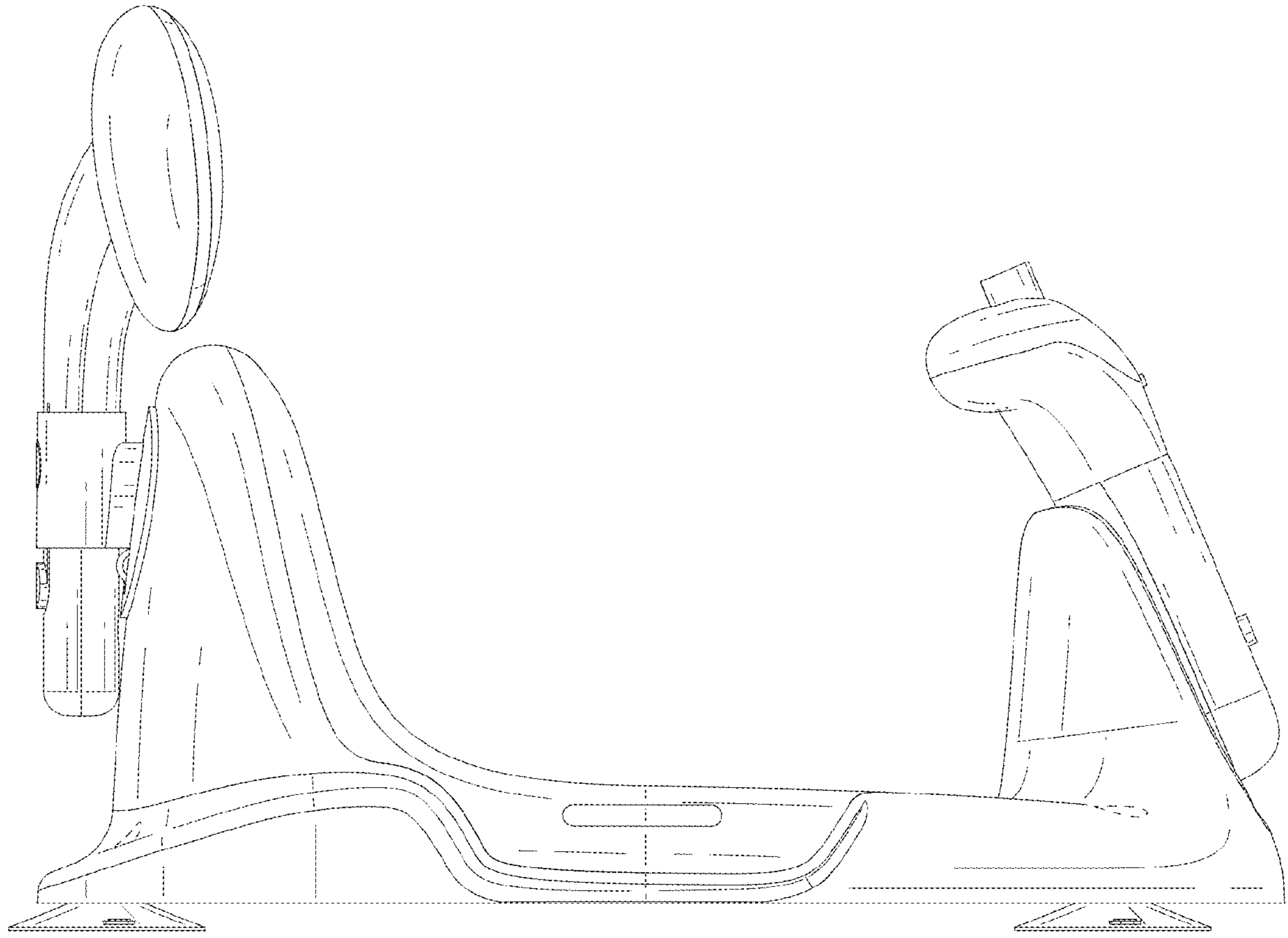


FIG. 5

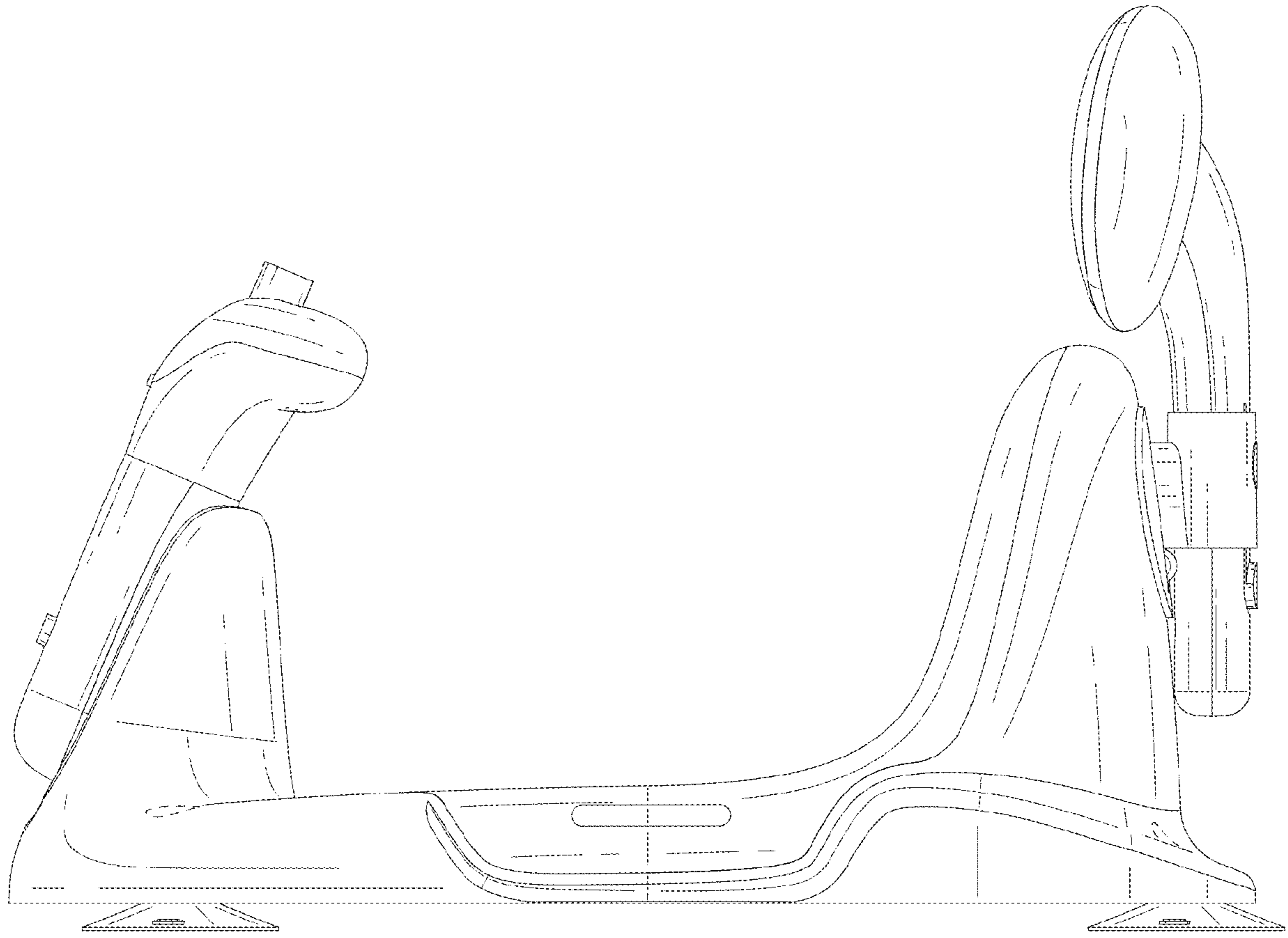


FIG. 6

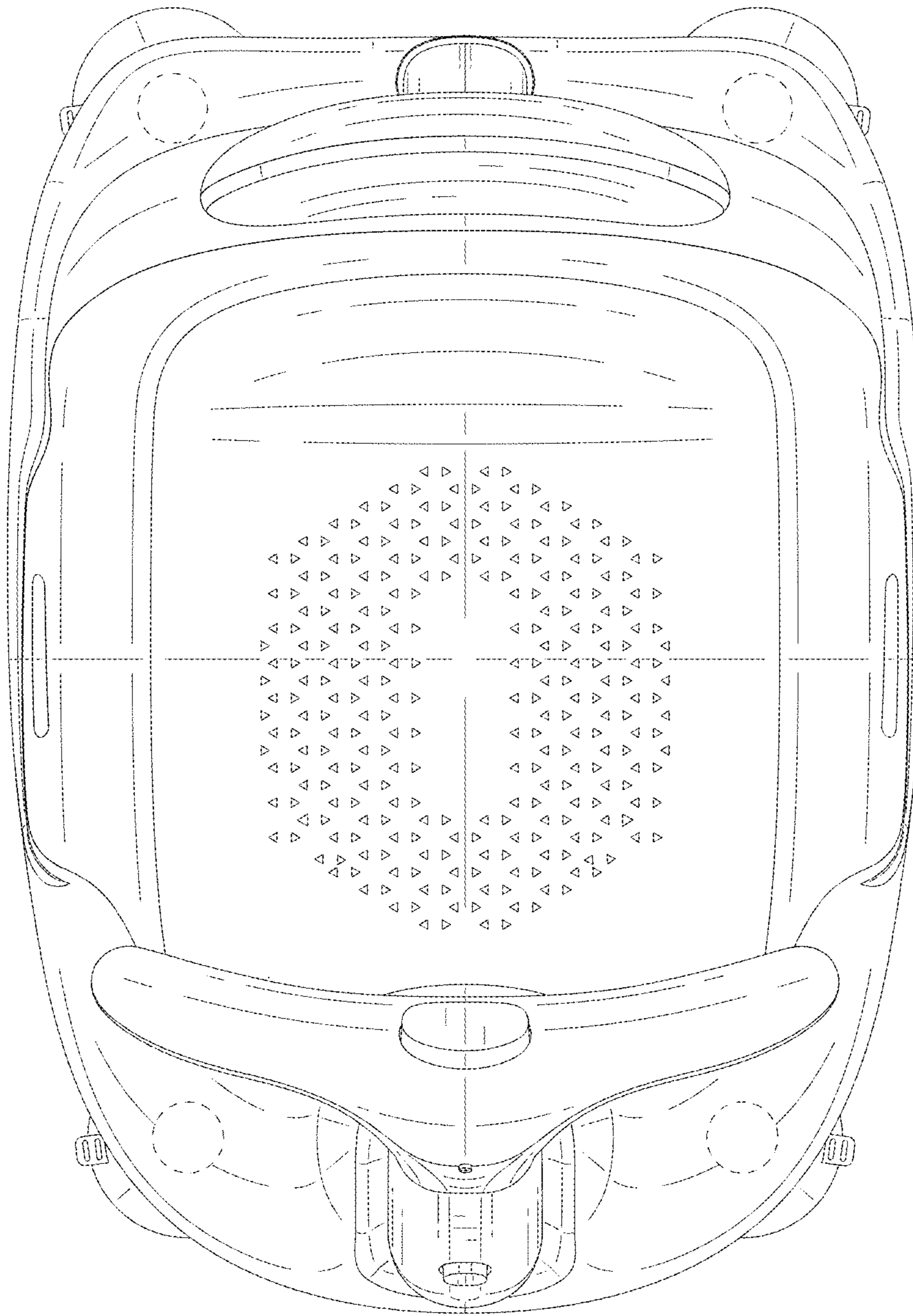


FIG. 7

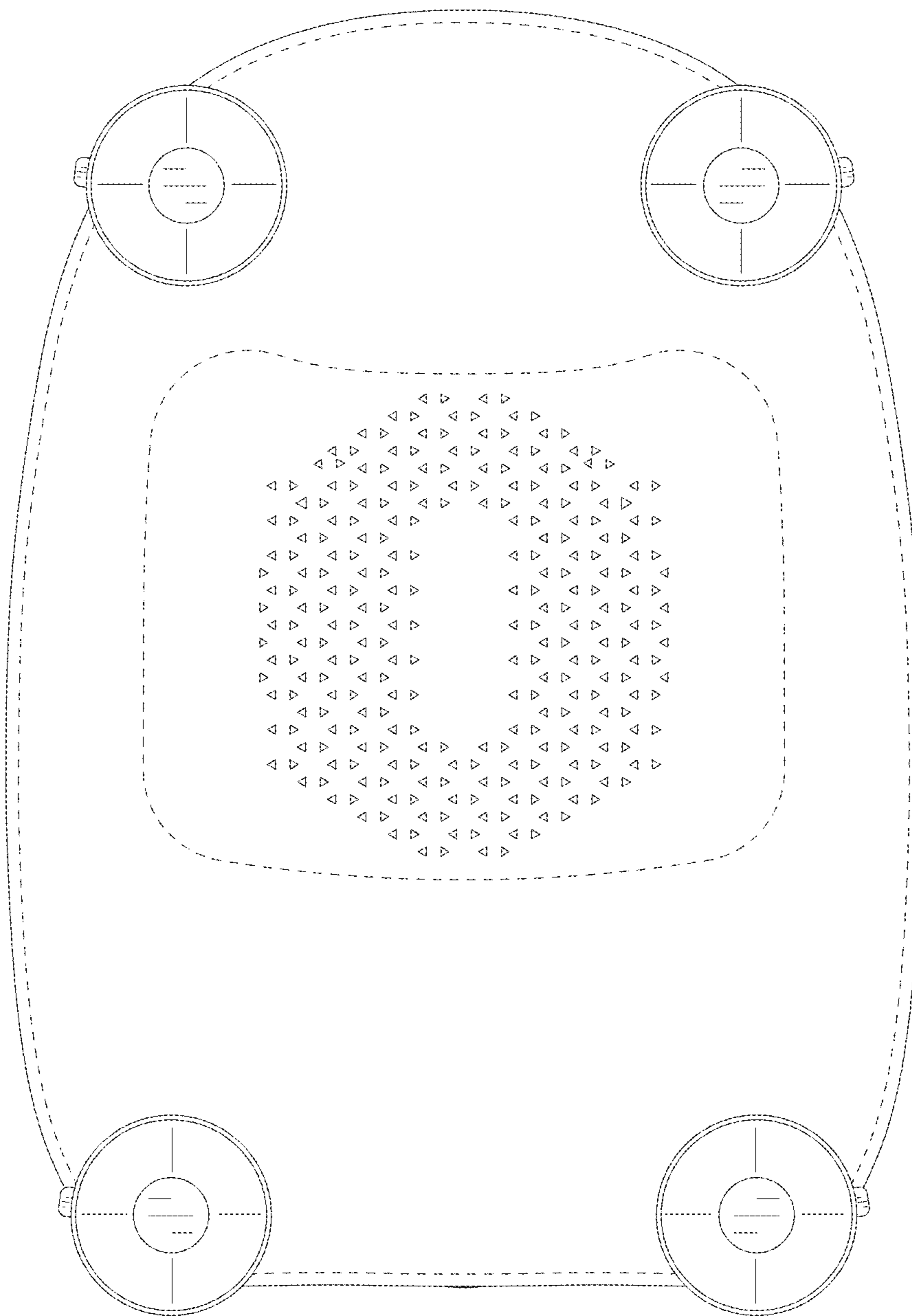


FIG. 8

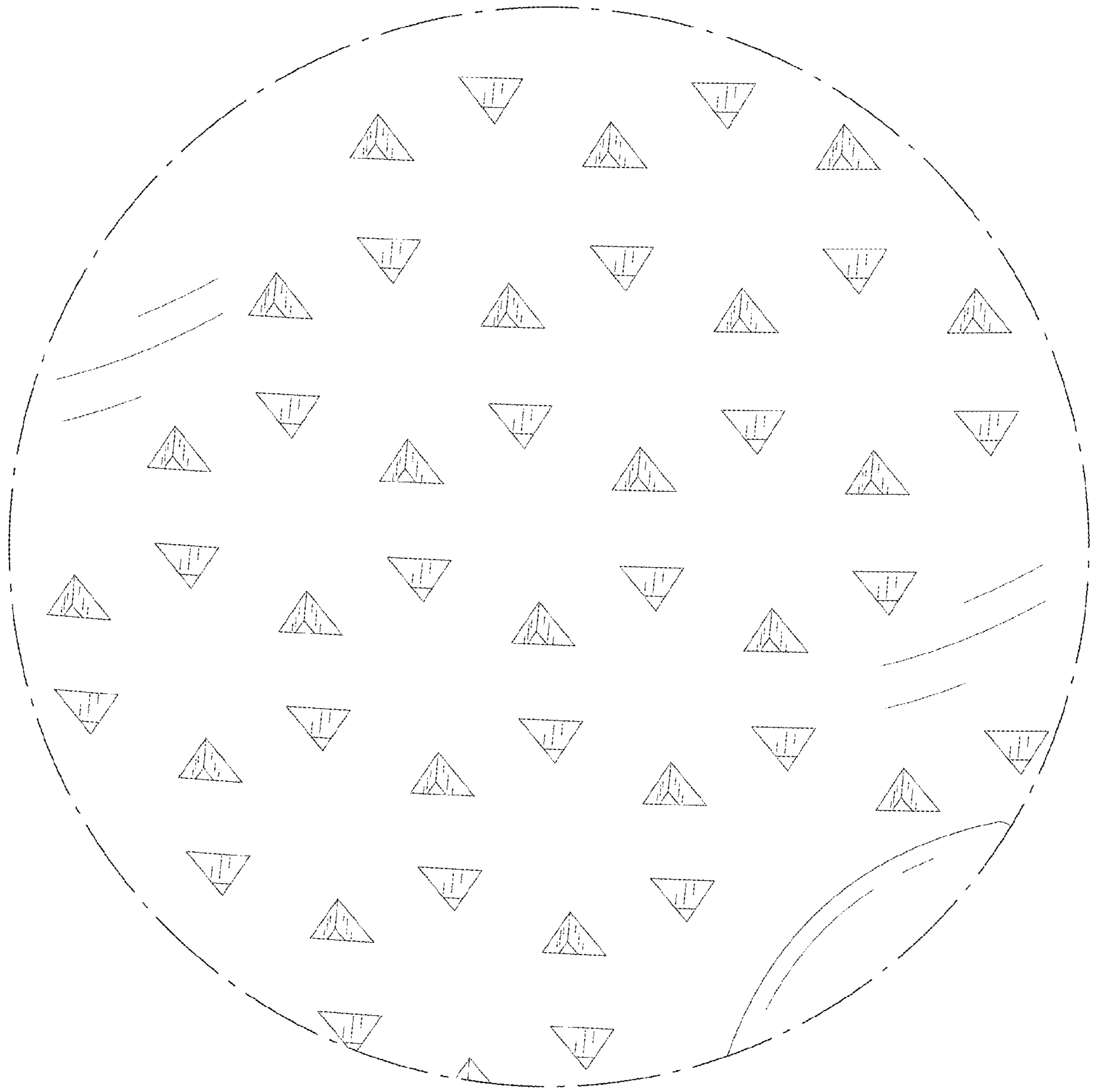


FIG. 9