



US00D977075S

(12) **United States Design Patent**  
**Boal et al.**

(10) **Patent No.:** **US D977,075 S**

(45) **Date of Patent:** **\*\* Jan. 31, 2023**

(54) **SHOWER CONTROLLER**

(71) Applicant: **Kohler Co.**, Kohler, WI (US)

(72) Inventors: **Roland Boal**, London (GB); **Margaret C. Mazz**, Atlanta, GA (US); **Gregory de Swarte**, Sheboygan, WI (US)

(73) Assignee: **KOHLER CO.**, Kohler, WI (US)

(\*\*) Term: **15 Years**

(21) Appl. No.: **29/758,475**

(22) Filed: **Nov. 16, 2020**

(51) **LOC (14) Cl.** ..... **23-01**

(52) **U.S. Cl.**  
USPC ..... **D23/250**; D8/310

(58) **Field of Classification Search**  
USPC ..... D23/238–243, 249–250, 252;  
D8/307–308, 300, 310; D7/393  
See application file for complete search history.

(56) **References Cited**

**U.S. PATENT DOCUMENTS**

D184,630 S *	3/1959	Maffei	.....	D8/310
D265,581 S *	7/1982	Kohler, Jr.	.....	D23/254
D386,383 S *	11/1997	Lougee	.....	D8/310
D613,825 S *	4/2010	Ishikawa	.....	D23/254
D713,235 S *	9/2014	Lee	.....	D8/310
D763,410 S *	8/2016	Schoenherr	.....	D23/250
D806,512 S *	1/2018	Chow	.....	D8/311

D896,927 S *	9/2020	Soulier	.....	D23/250
D898,877 S *	10/2020	Schoenherr	.....	D23/254
D918,204 S *	5/2021	Raken	.....	D14/388

\* cited by examiner

*Primary Examiner* — Robert A Delehanty

(74) *Attorney, Agent, or Firm* — Foley & Lardner LLP

(57) **CLAIM**

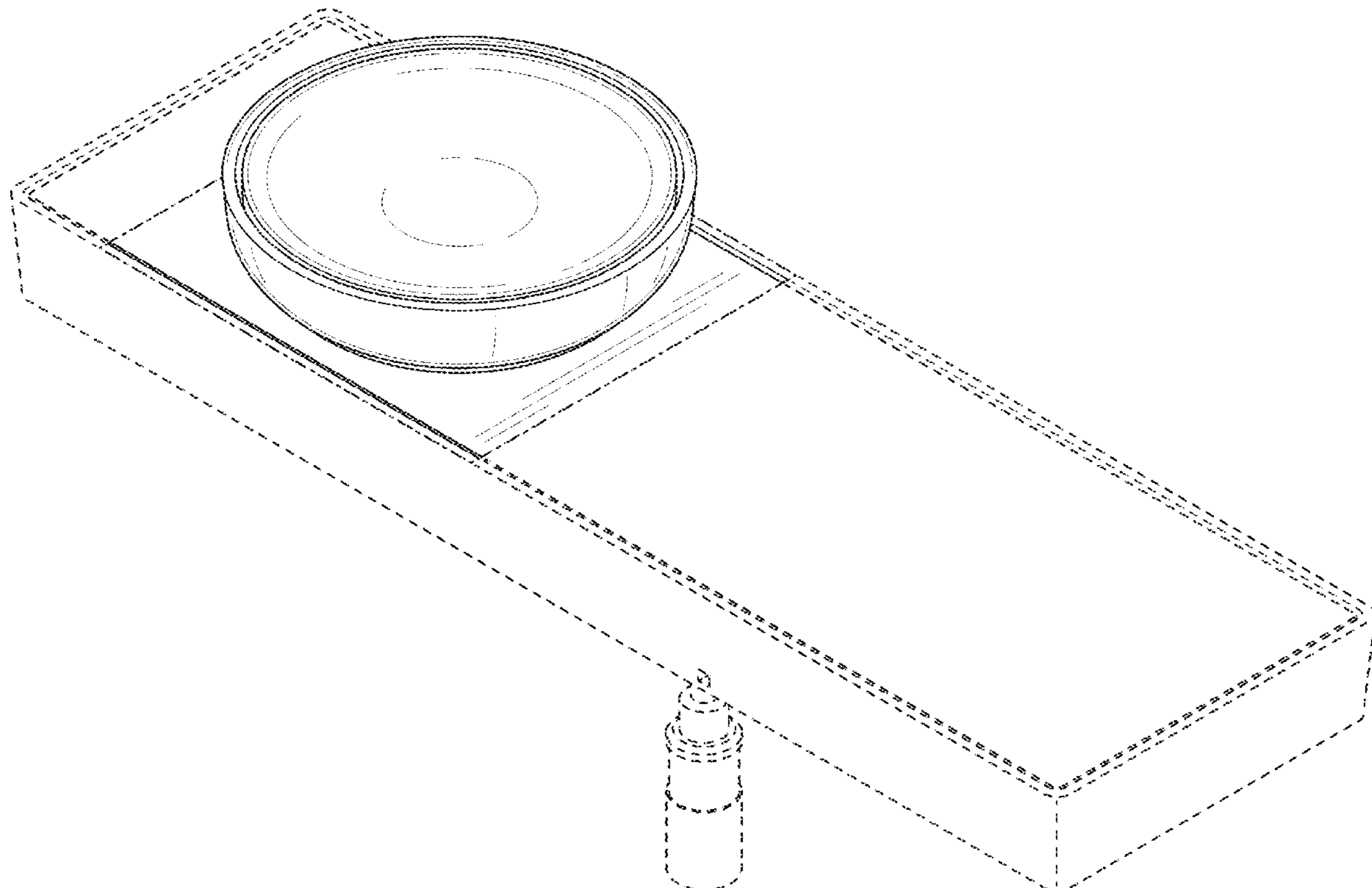
We claim the ornamental design for a shower controller, as shown and described.

**DESCRIPTION**

FIG. 1 is a perspective view of an embodiment of a shower controller of the claimed design; FIG. 2 is a front view of the claimed design shown in FIG. 1; FIG. 3 is a top view of the claimed design shown in FIG. 1; FIG. 4 is a bottom view of the claimed design shown in FIG. 1; FIG. 5 is a side view of the claimed design shown in FIG. 1; and, FIG. 6 is another side view of the claimed design shown in FIG. 1.

The ornamental design that is claimed is shown in the drawings as solid lines and surfaces having surface shading. The broken lines in the drawings are for illustrative purposes only and form no part of the claimed design. For example, broken lines formed by equal length dashes show unclaimed portions of the design. Broken lines formed of unequal length dashes (i.e., dash-dot) show boundaries between either claimed and unclaimed portions of the design or between unclaimed and unclaimed portions of the design.

**1 Claim, 5 Drawing Sheets**



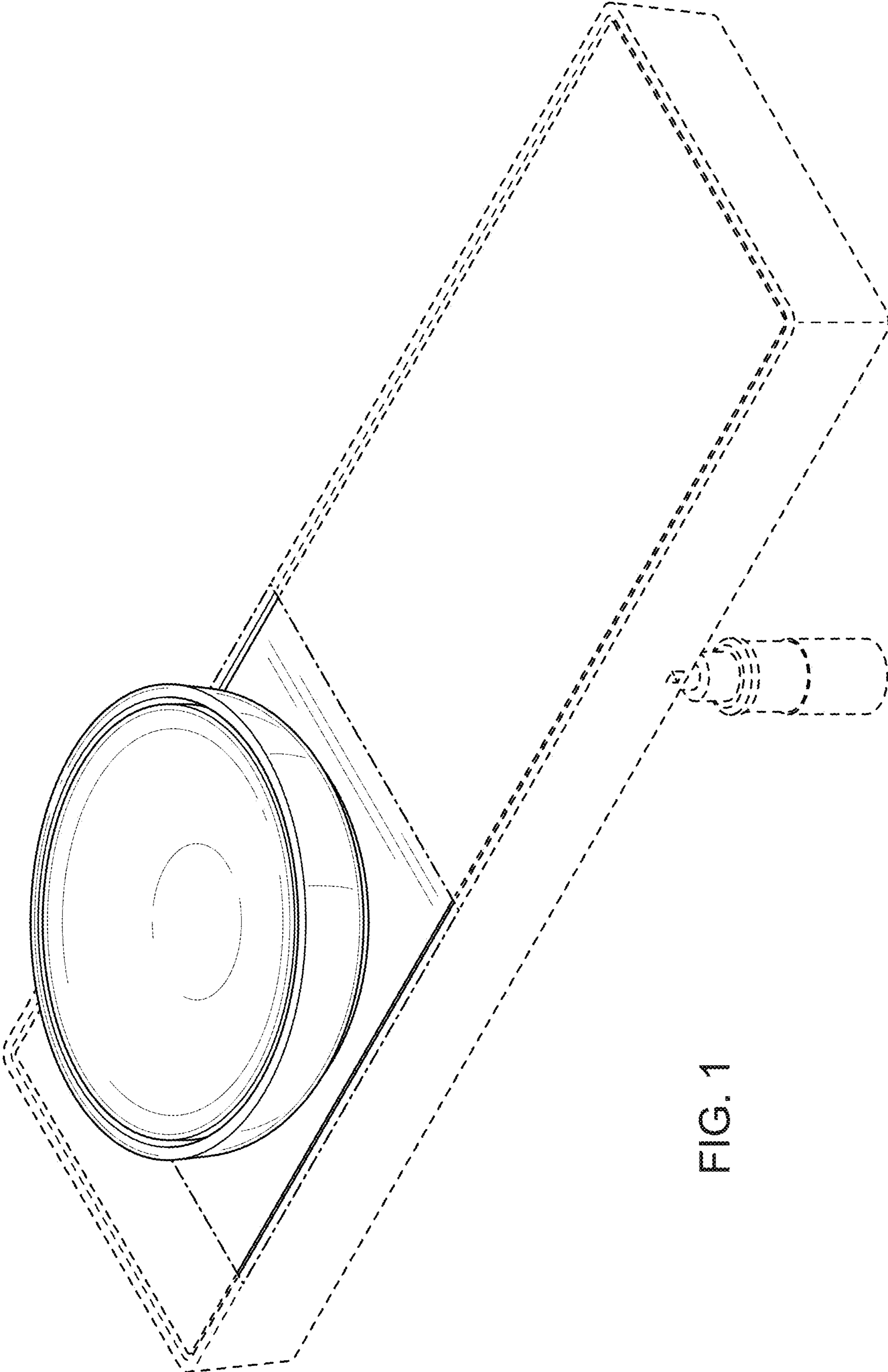


FIG. 1

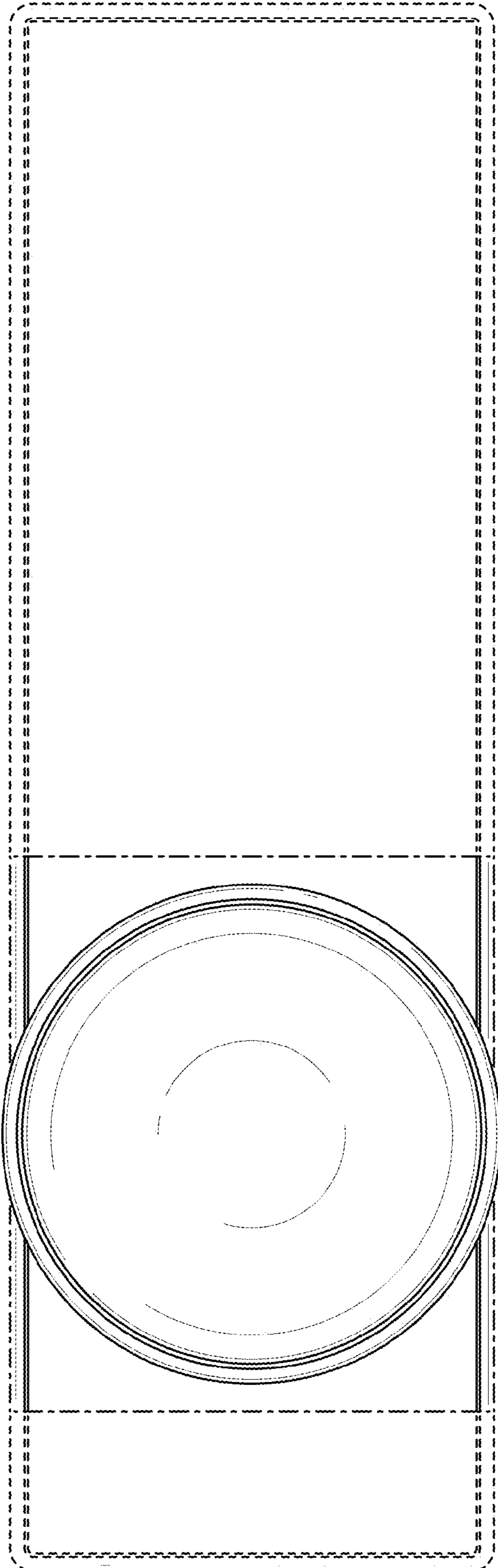


FIG. 2

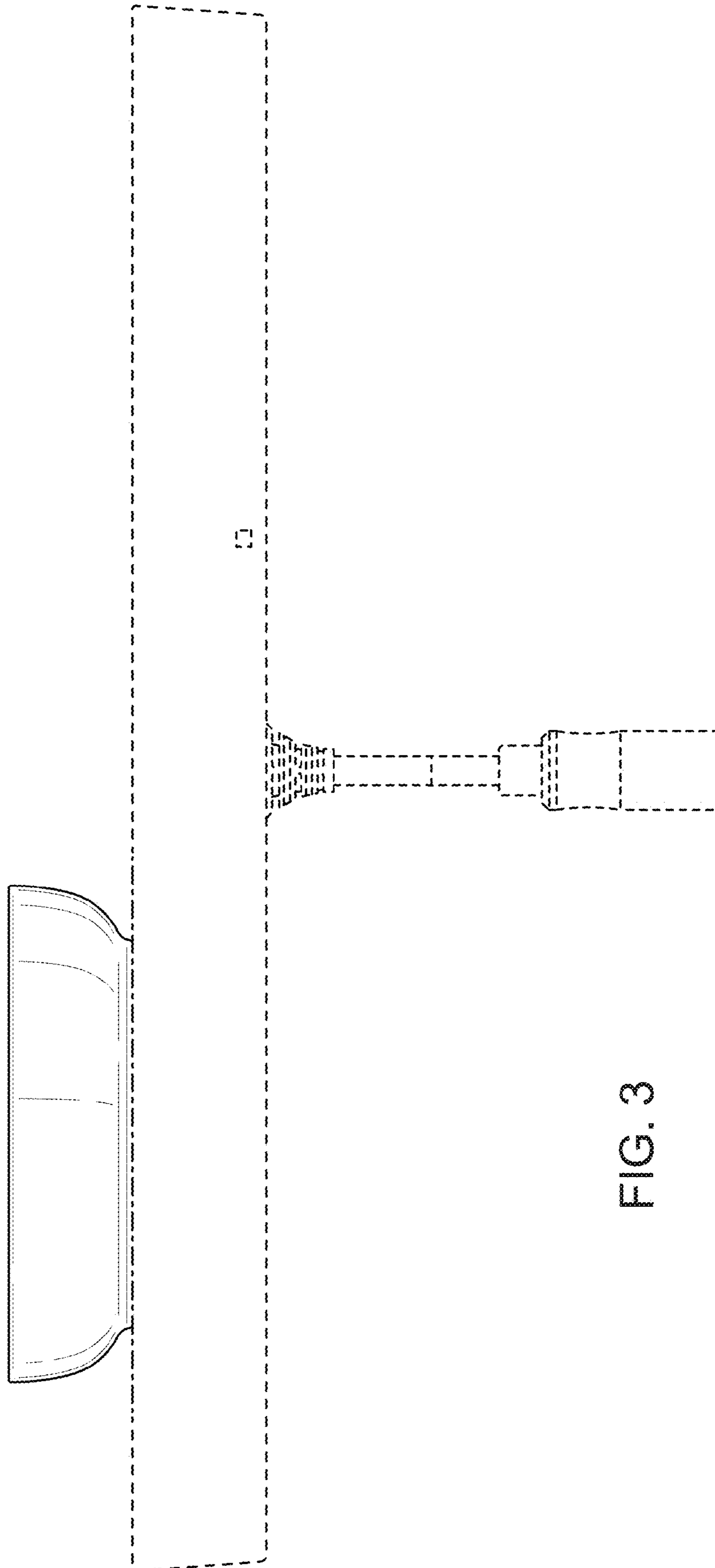


FIG. 3

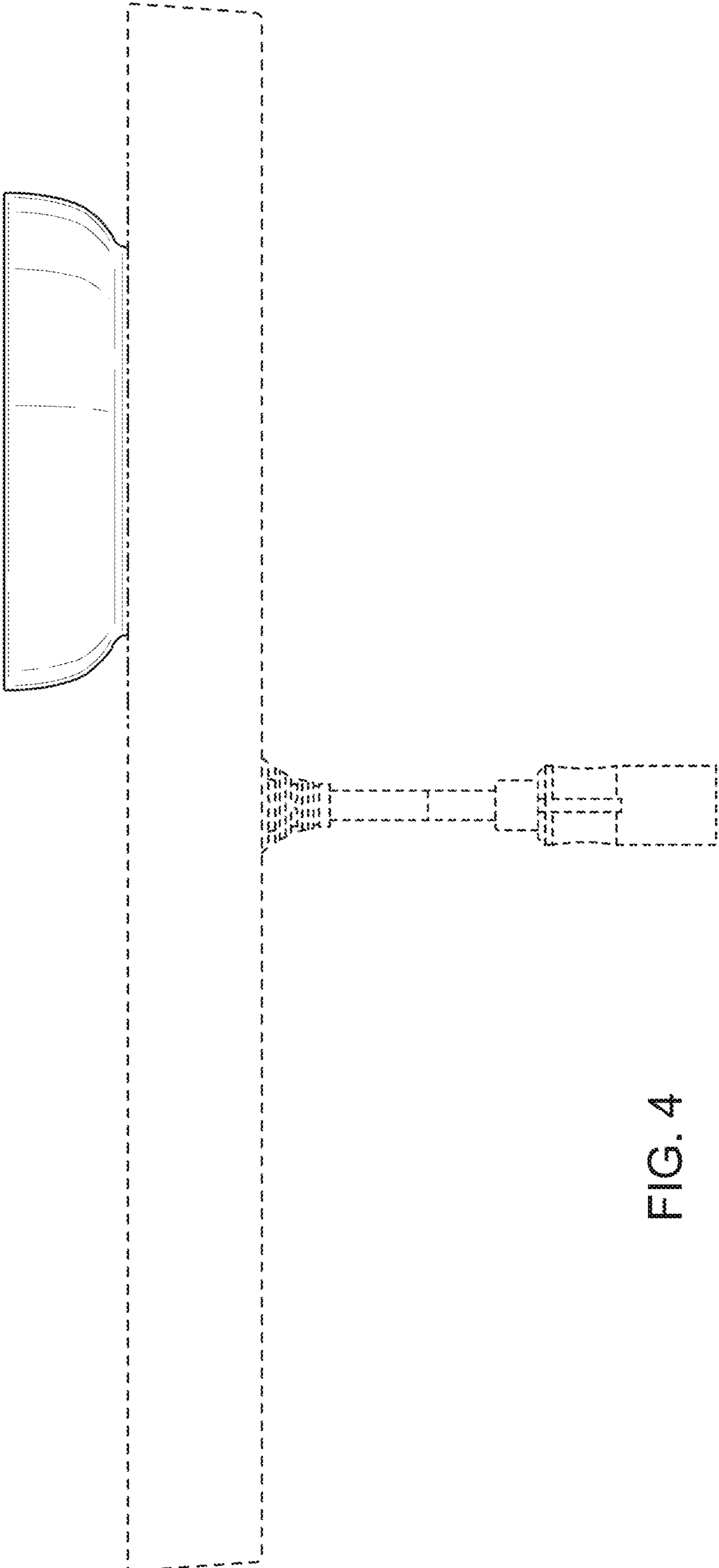


FIG. 4

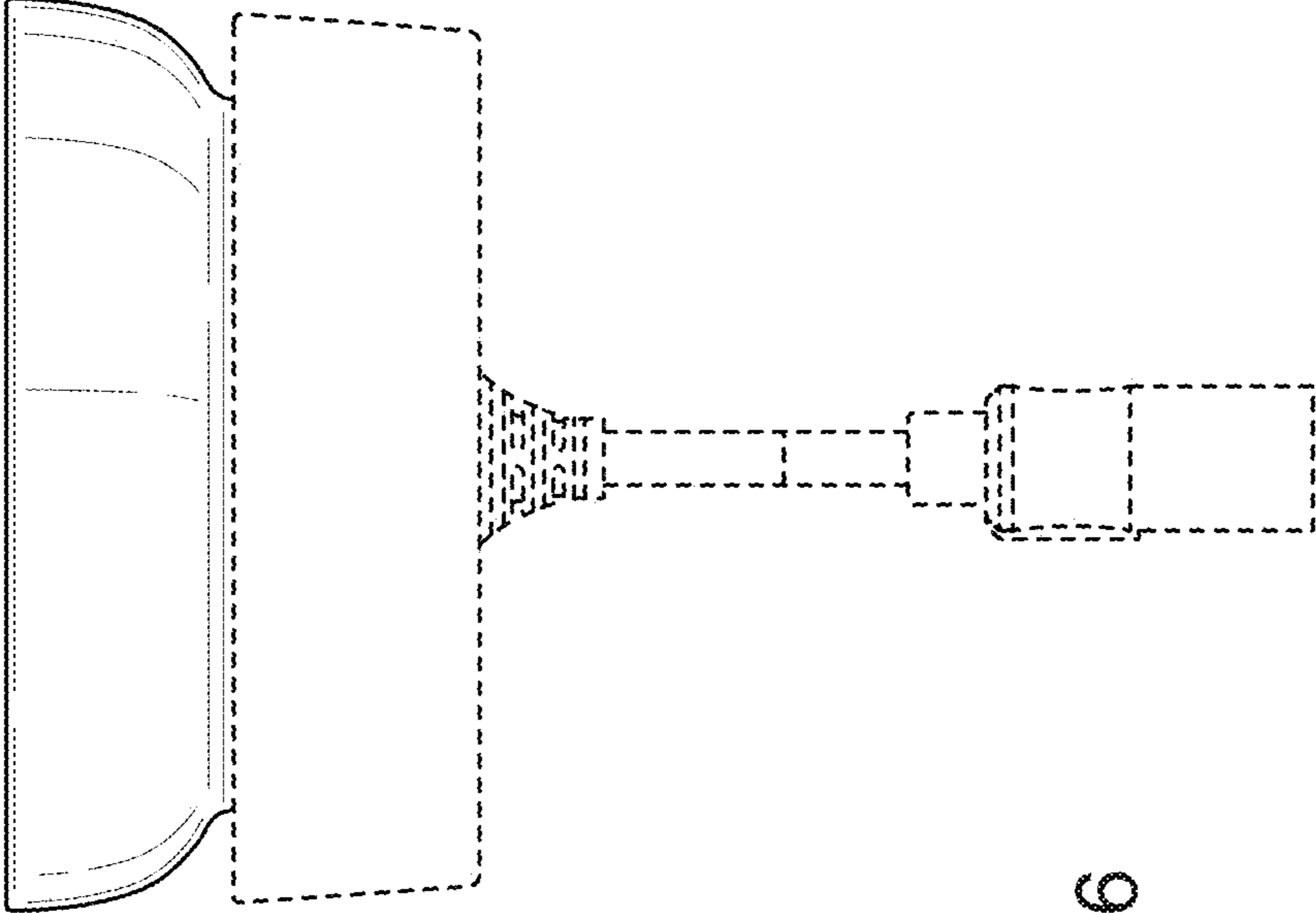


FIG. 6

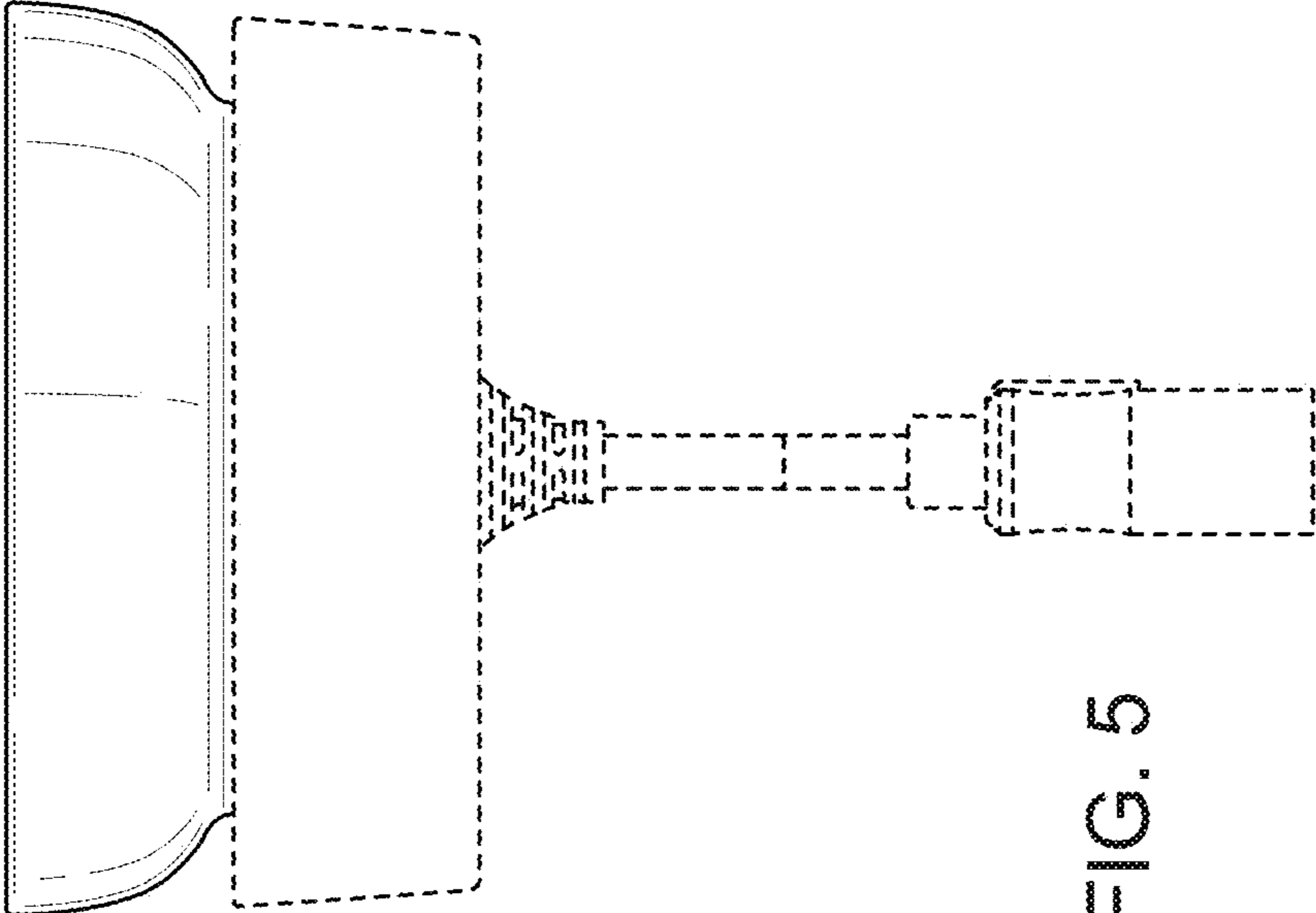


FIG. 5