



US00D977072S

(12) **United States Design Patent**
Zhu et al.

(10) **Patent No.:** **US D977,072 S**
(45) **Date of Patent:** **** Jan. 31, 2023**

(54) **BATHROOM FAUCET**

FOREIGN PATENT DOCUMENTS

(71) Applicant: **Xiamen Lota International Co., Ltd.**,
Fujian (CN)

CN 302589606 S 9/2013
CN 303586291 2/2016

(72) Inventors: **Chuanbao Zhu**, Fujian (CN); **Liming Ye**, Fujian (CN); **Yunlong Xie**, Fujian (CN); **Fahong Chen**, Fujian (CN); **Jiaqun Lin**, Fujian (CN)

Primary Examiner — Robert A Delehanty
(74) *Attorney, Agent, or Firm* — Barnes & Thornburg LLP

(73) Assignee: **Xiamen Lota International Co., Ltd.**,
Xiamen (CN)

(57) **CLAIM**

We claim the ornamental design for a bathroom faucet, as shown and described.

(**) Term: **15 Years**

DESCRIPTION

(21) Appl. No.: **29/844,508**

(22) Filed: **Jun. 29, 2022**

(51) **LOC (14) Cl.** **23-01**

(52) **U.S. Cl.**
USPC **D23/238**

(58) **Field of Classification Search**
USPC D23/238, 241–243, 249–250, 252, 254;
D8/307–308, 352

See application file for complete search history.

FIG. 1 is an upper perspective view of a first embodiment of a bathroom faucet according to the new design.

FIG. 2 is a lower perspective view of the bathroom faucet shown in FIG. 1.

FIG. 3 is a front view of the bathroom faucet shown in FIG. 1.

FIG. 4 is a rear view of the bathroom faucet shown in FIG. 1.

FIG. 5 is a right side view of the bathroom faucet shown in FIG. 1.

FIG. 6 is a left side view of the bathroom faucet shown in FIG. 1.

FIG. 7 is a top view of the bathroom faucet shown in FIG. 1; and,

FIG. 8 is a bottom view of the bathroom faucet shown in FIG. 1.

Those portions of the bathroom faucet which are presented in the Figures with dotted lines (“--”) show unclaimed aspects of the bathroom faucet and as a result, they form no part of the claimed bathroom faucet. Further, any surface shading presented in the accompanying Figures is provided to indicate contours of the bathroom faucet and is not intended to be illustrative of the bathroom faucet’s surface finish, texture or gloss.

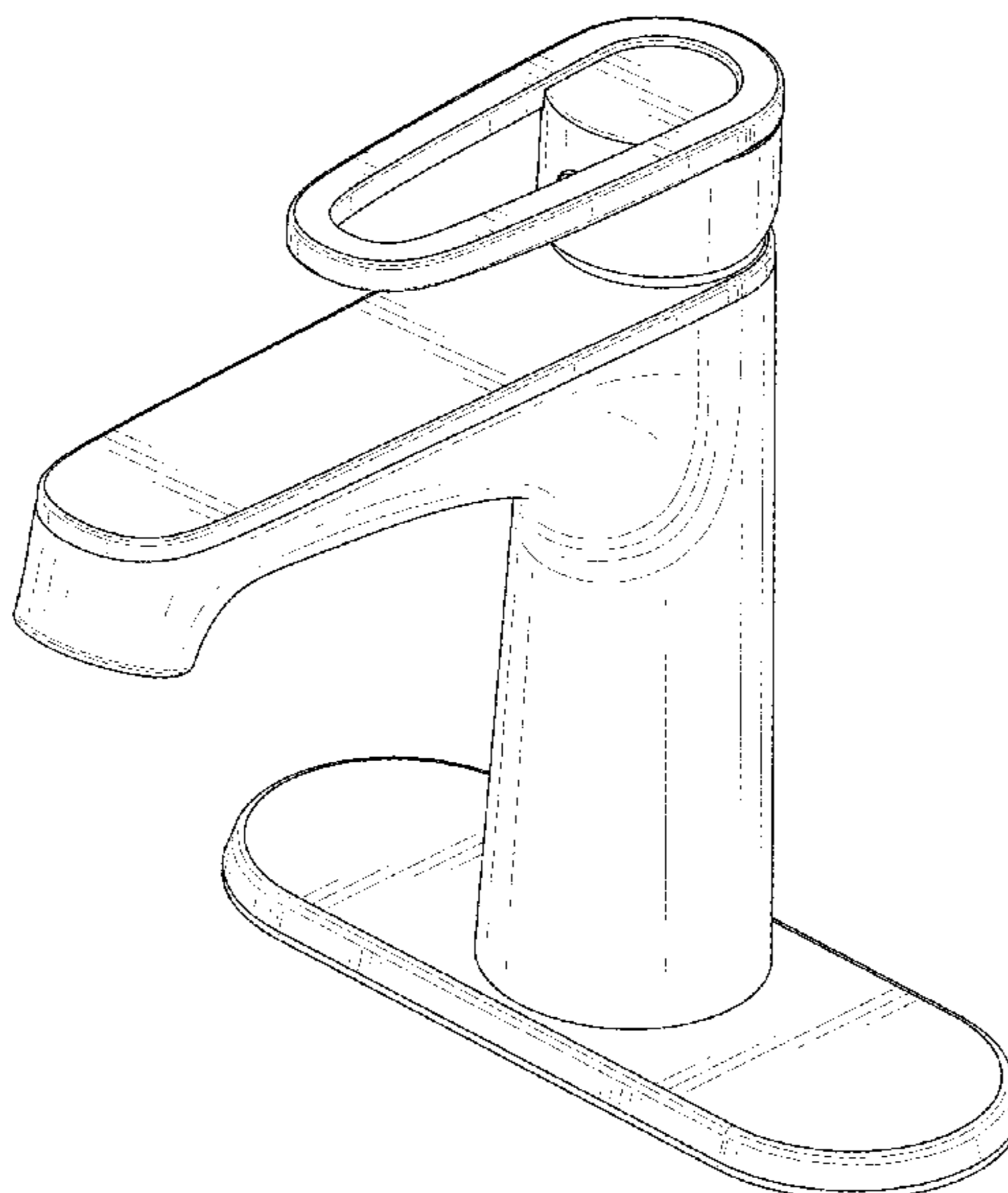
(56) **References Cited**

U.S. PATENT DOCUMENTS

D339,849 S 9/1993 Jans
D342,988 S * 1/1994 Jans D23/252
D351,017 S 9/1994 Gottwald
D353,650 S 12/1994 Haug et al.
D393,052 S * 3/1998 Lobermeier D23/250
D403,745 S 1/1999 Lobermeier
D474,261 S 5/2003 Schönherr et al.
D532,866 S * 11/2006 Kirar D23/255
D582,008 S 12/2008 Citterio
D693,907 S 11/2013 Mendoza et al.
D713,017 S 9/2014 Citterio
D737,935 S 9/2015 Downey et al.
D760,354 S 6/2016 Citterio
D835,759 S 12/2018 Schoenherr et al.

(Continued)

1 Claim, 8 Drawing Sheets



(56)

References Cited

U.S. PATENT DOCUMENTS

10,174,487 B2 * 1/2019 Hong E03C 1/0404
D939,053 S 12/2021 Soulier et al.
D954,200 S * 6/2022 Williams D23/238
2020/0172995 A1 * 6/2020 Romanowski E03C 1/04

* cited by examiner

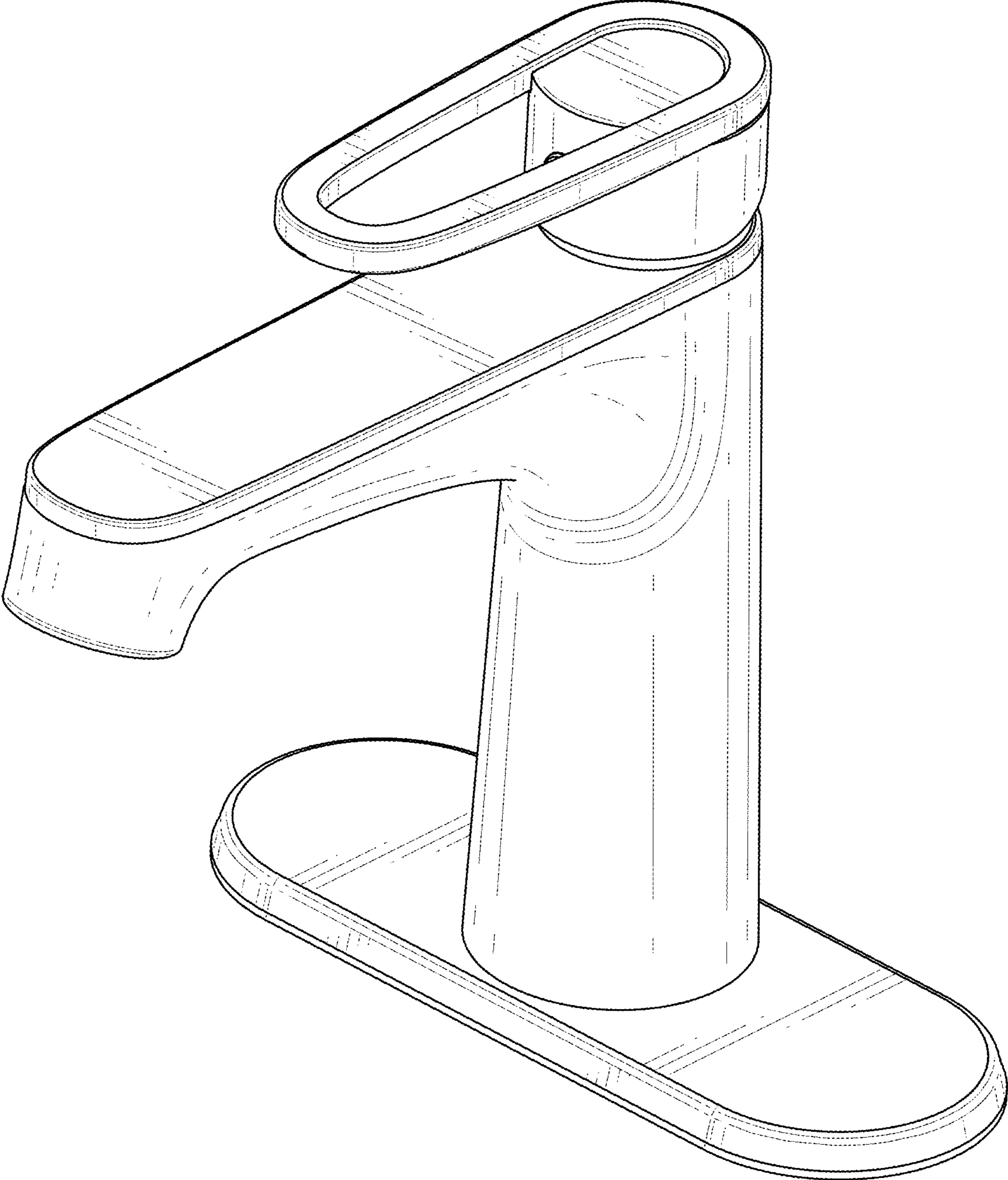


FIG. 1

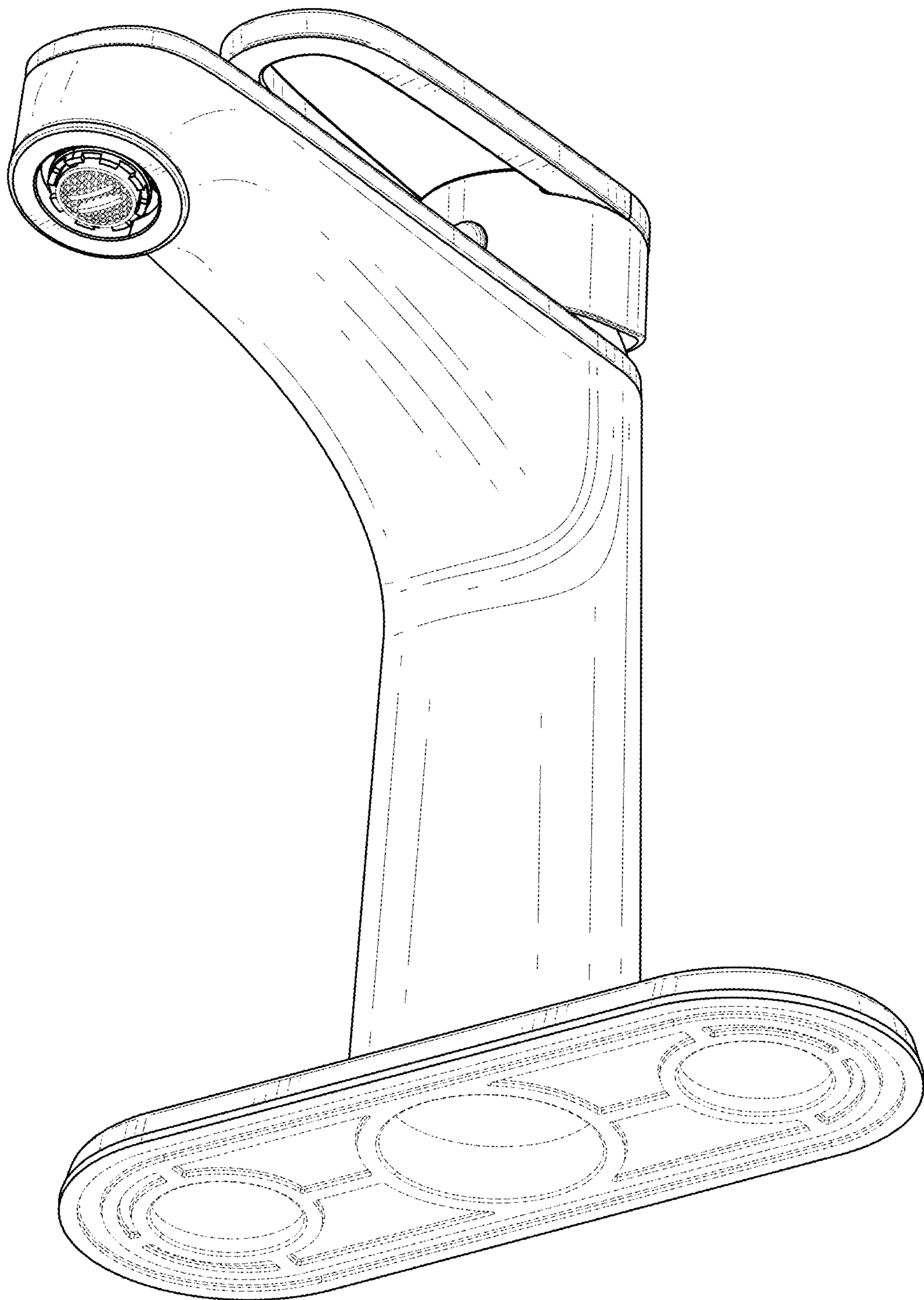


FIG. 2

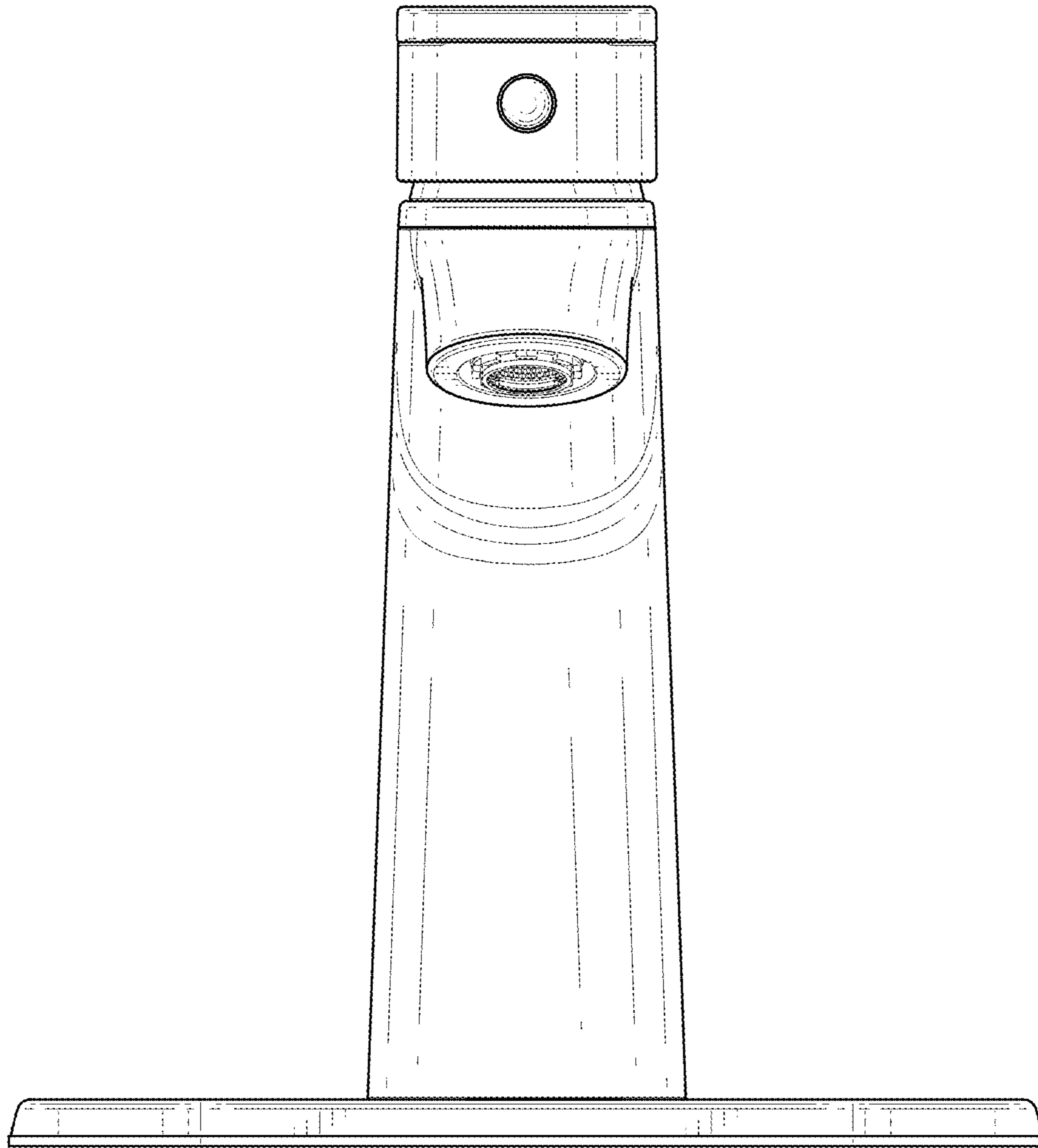


FIG. 3

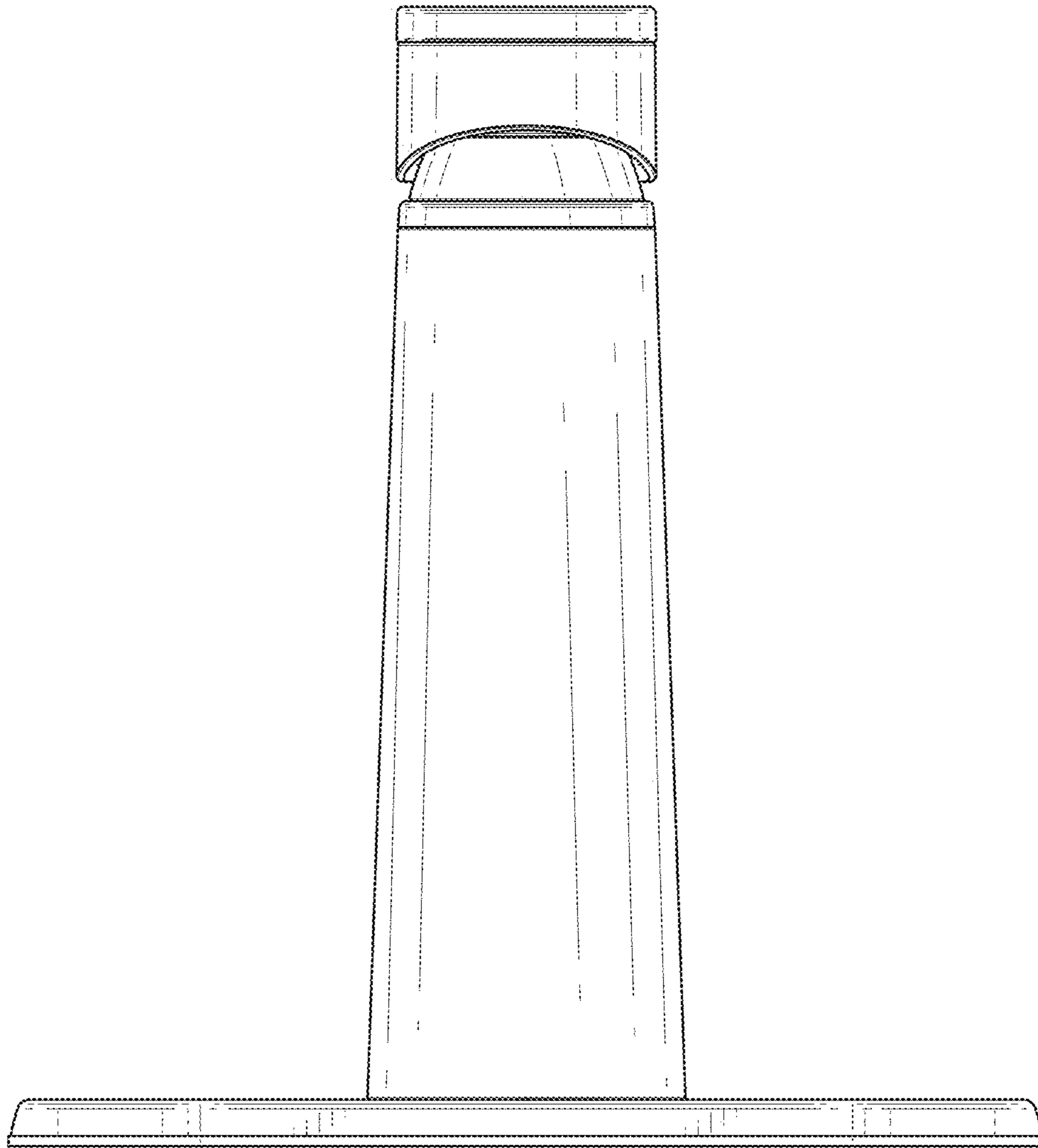


FIG. 4

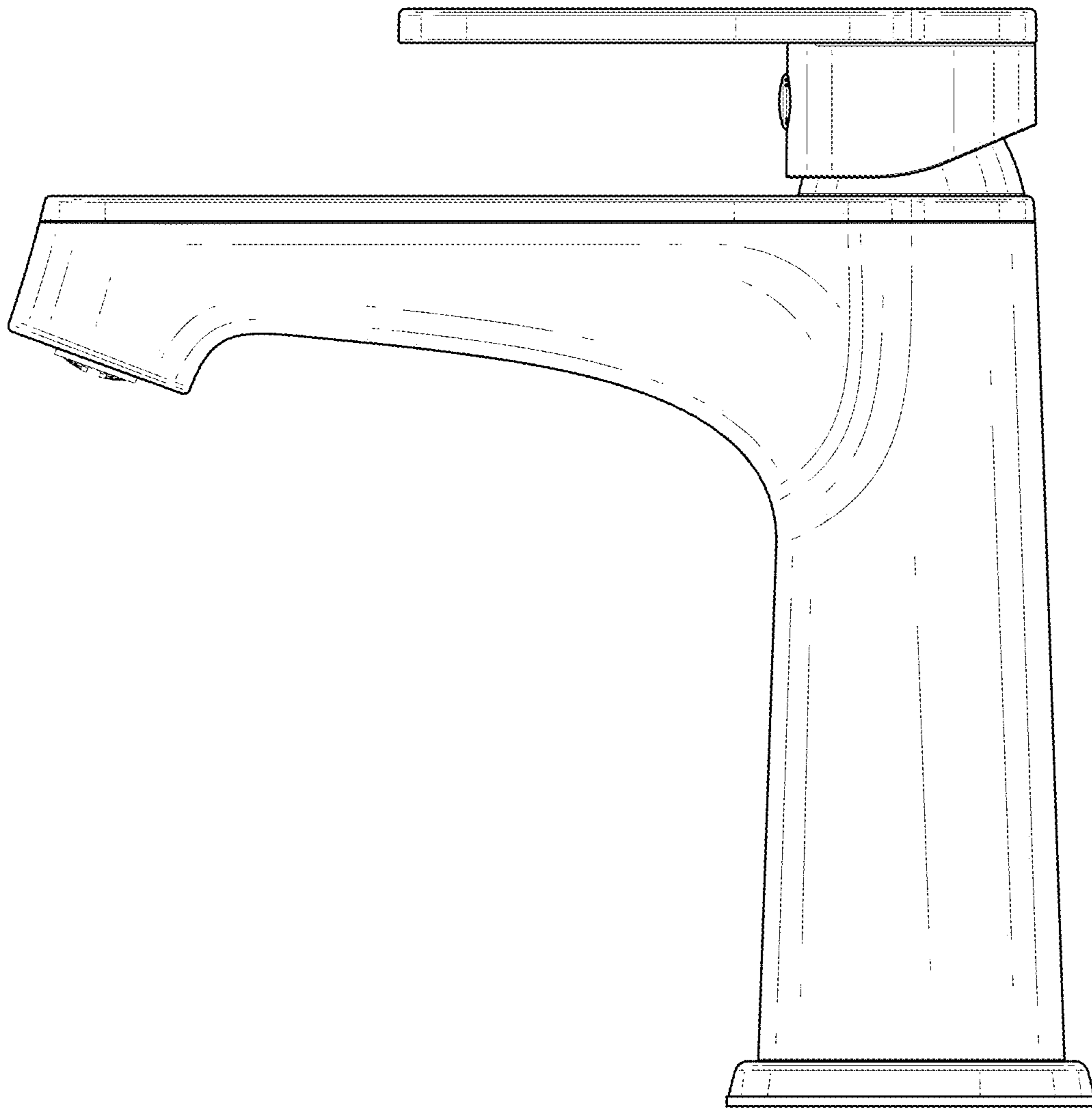


FIG. 5

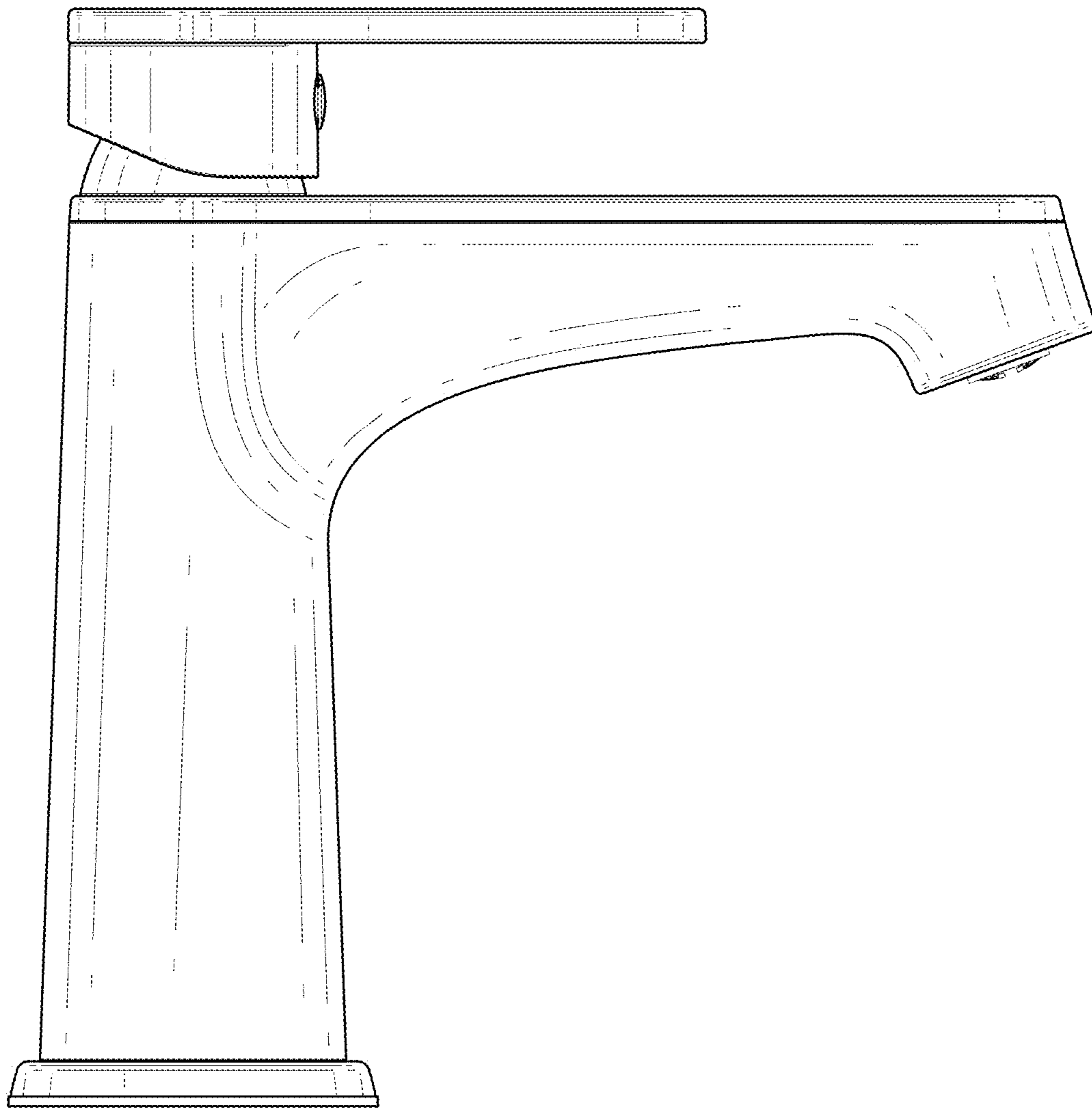


FIG. 6

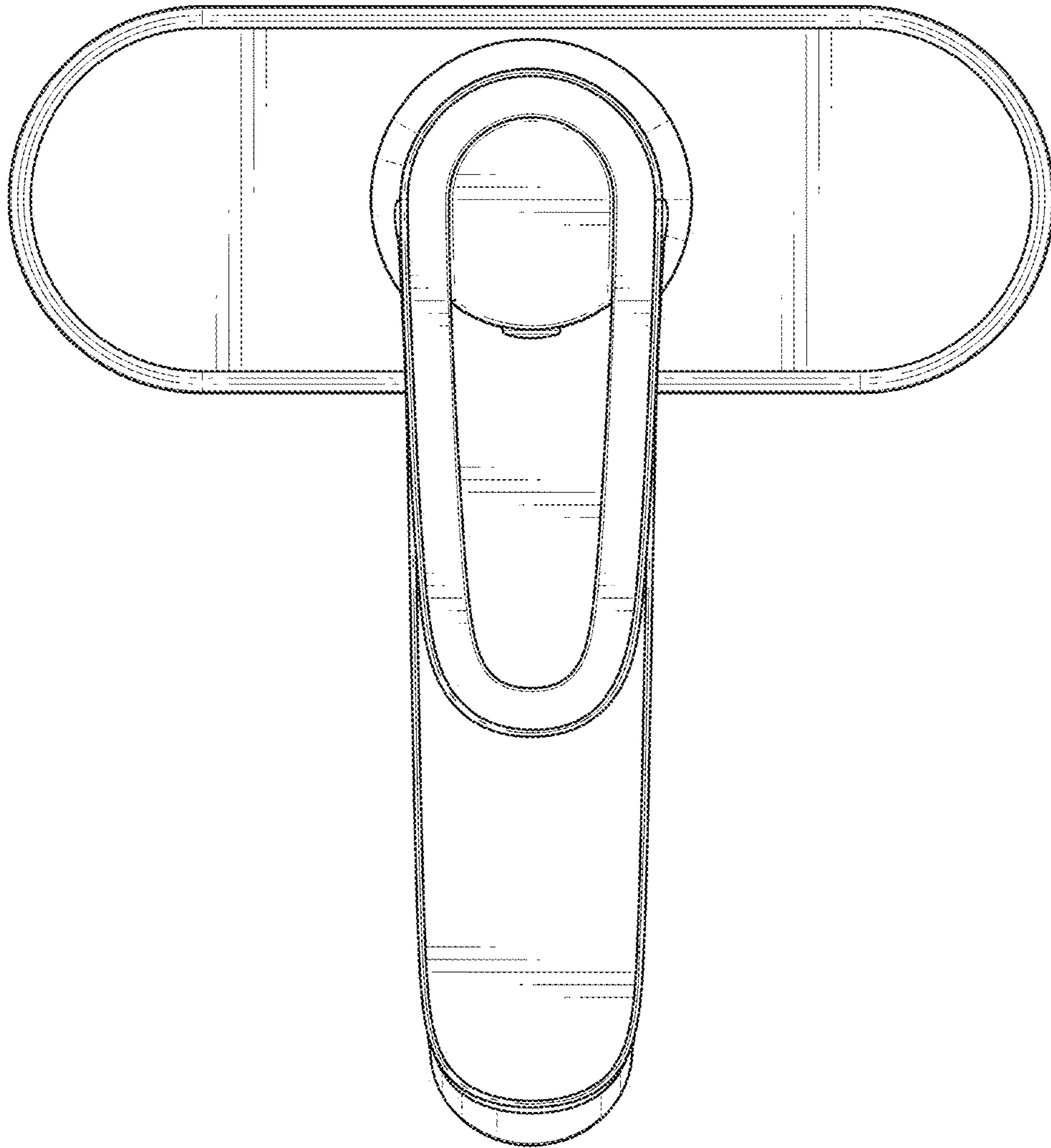


FIG. 7

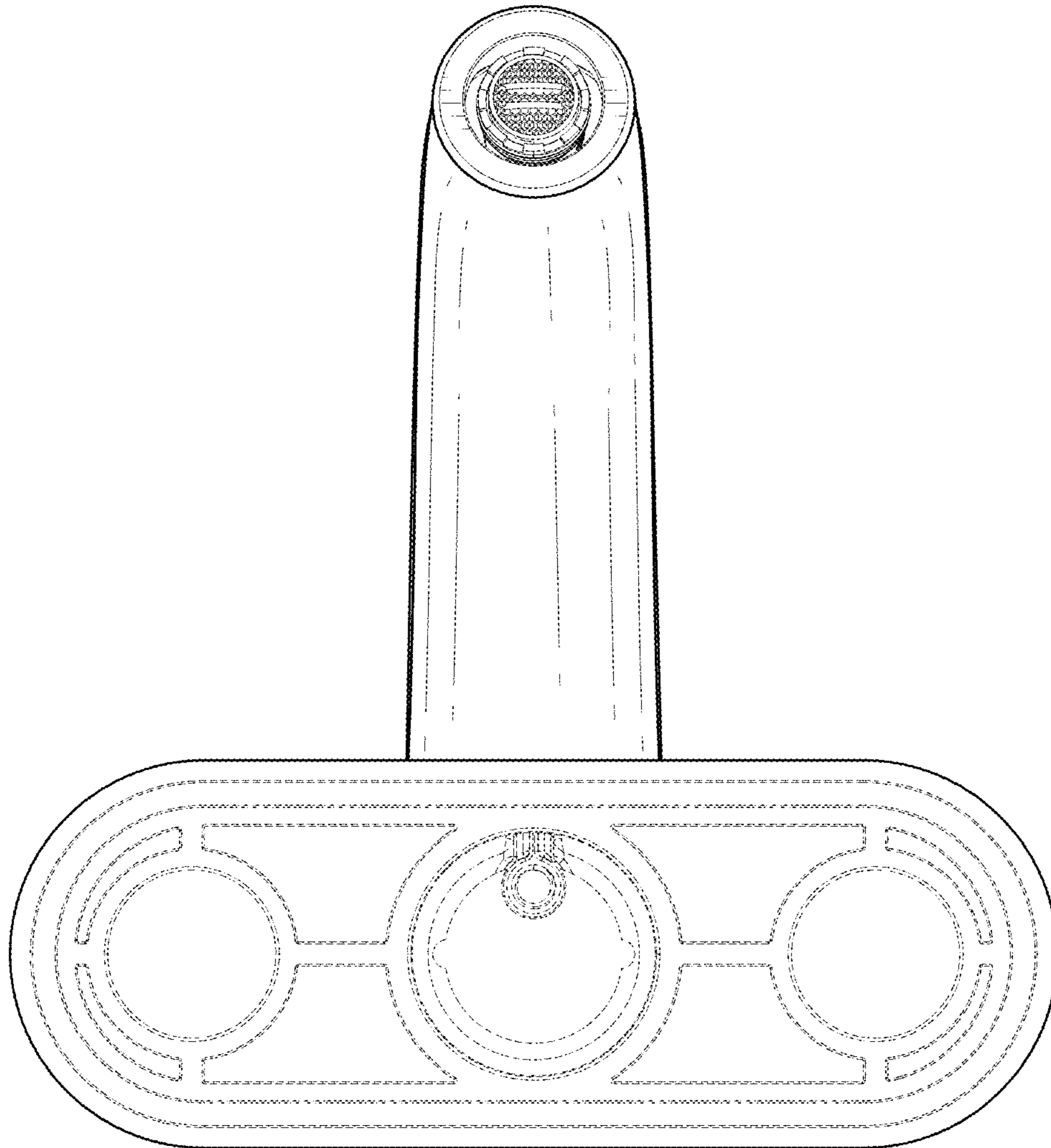


FIG. 8