



US00D977071S

(12) **United States Design Patent**  
**Makowski et al.**

(10) **Patent No.:** **US D977,071 S**

(45) **Date of Patent:** **\*\* Jan. 31, 2023**

(54) **VALVE BODY**

(71) Applicant: **Automatic Switch Company**, Florham Park, NJ (US)

(72) Inventors: **Daniel Makowski**, Passaic, NJ (US);  
**Kiran Ashok Jagtap**, Pune (IN);  
**Jeffrey D. Accursi**, Columbus, OH (US);  
**Aaron M. Searles**, Columbus, OH (US);  
**Grace Victoria Tesmer**, Dublin, OH (US)

(73) Assignee: **AUTOMATIC SWITCH COMPANY**, Florham Park, NJ (US)

(\*\*) Term: **15 Years**

(21) Appl. No.: **29/804,889**

(22) Filed: **Aug. 23, 2021**

**Related U.S. Application Data**

(63) Continuation-in-part of application No. 29/675,732, filed on Jan. 4, 2019, now Pat. No. Des. 928,921.

(51) **LOC (14) Cl.** ..... **23-01**

(52) **U.S. Cl.**  
USPC ..... **D23/233**

(58) **Field of Classification Search**  
USPC ..... D23/233, 235, 237, 241, 244-249;  
137/43, 493.8, 197, 198, 588, 589  
CPC .... B60K 15/03519; B60K 2015/03542; F16K 24/04

See application file for complete search history.

(56) **References Cited**

U.S. PATENT DOCUMENTS

10,483,706 B2 \* 11/2019 Ingles ..... F16K 37/0041  
D919,047 S \* 5/2021 Makowski ..... D23/233  
D928,921 S \* 8/2021 Makowski ..... D23/249

\* cited by examiner

*Primary Examiner* — Gino Colan

(74) *Attorney, Agent, or Firm* — Mackey Law Firm PLLC

(57) **CLAIM**

The ornamental design for a valve body, as shown and described.

**DESCRIPTION**

FIG. 1 is a top perspective view of a first embodiment of a valve body showing our new design.

FIG. 2 is a front view of the valve body of FIG. 1.

FIG. 3 is a rear view of the valve body of FIG. 1.

FIG. 4 is a side view of the valve body of FIG. 1.

FIG. 5 is another side view of the valve body of FIG. 1.

FIG. 6 is a top view of the valve body of FIG. 1.

FIG. 7 is a bottom view of the valve body of FIG. 1.

FIG. 8 is a top perspective view of a second embodiment of a valve body showing our new design.

FIG. 9 is a front view of the valve body of FIG. 8.

FIG. 10 is a rear view of the valve body of FIG. 8.

FIG. 11 is a side view of the valve body of FIG. 8.

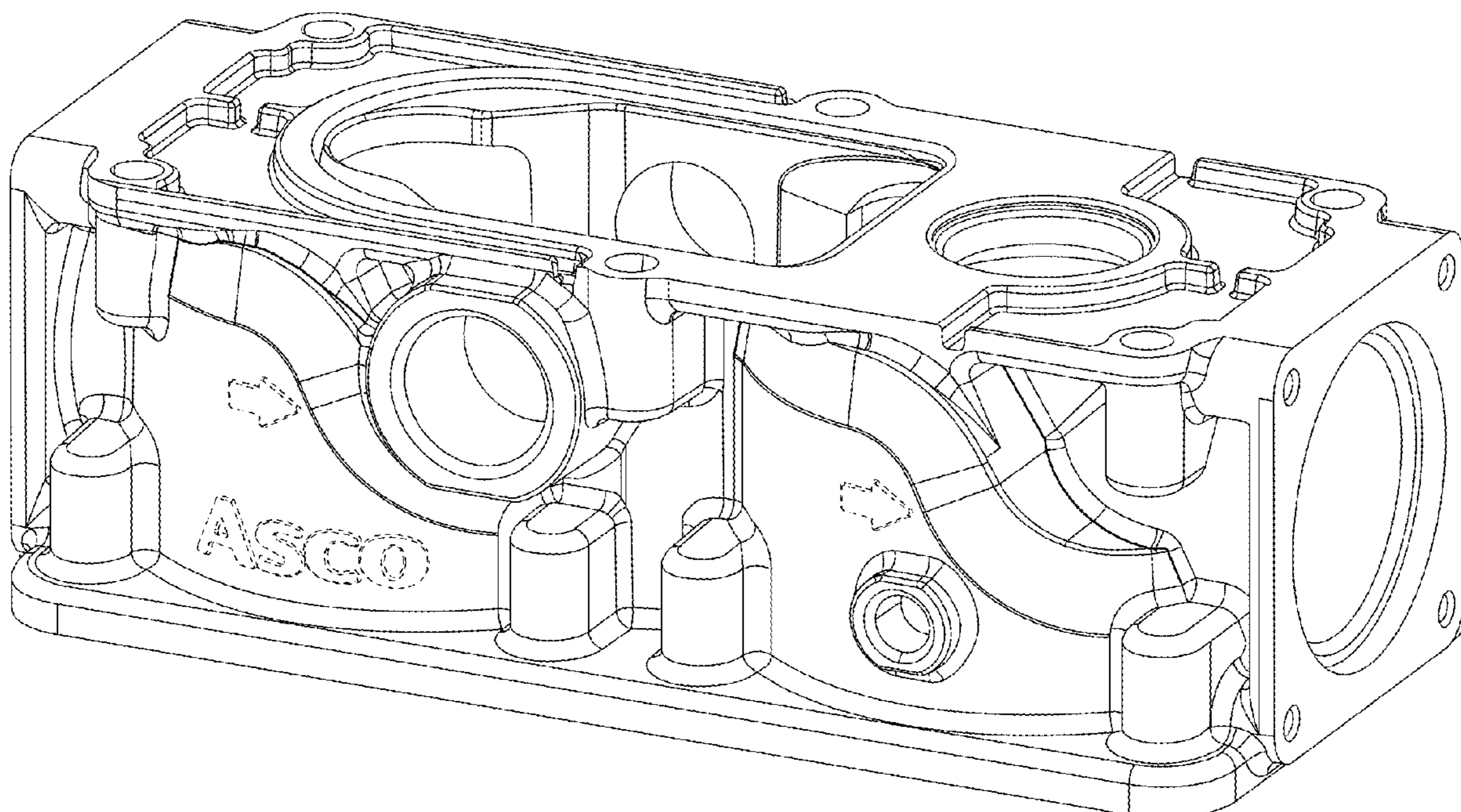
FIG. 12 is another side view of the valve body of FIG. 8.

FIG. 13 is a top view of the valve body of FIG. 8; and,

FIG. 14 is a bottom view of the valve body of FIG. 8.

The broken lines shown in the figures are for the purpose of illustrating portions of the valve body and form no part of the claimed design.

**1 Claim, 12 Drawing Sheets**



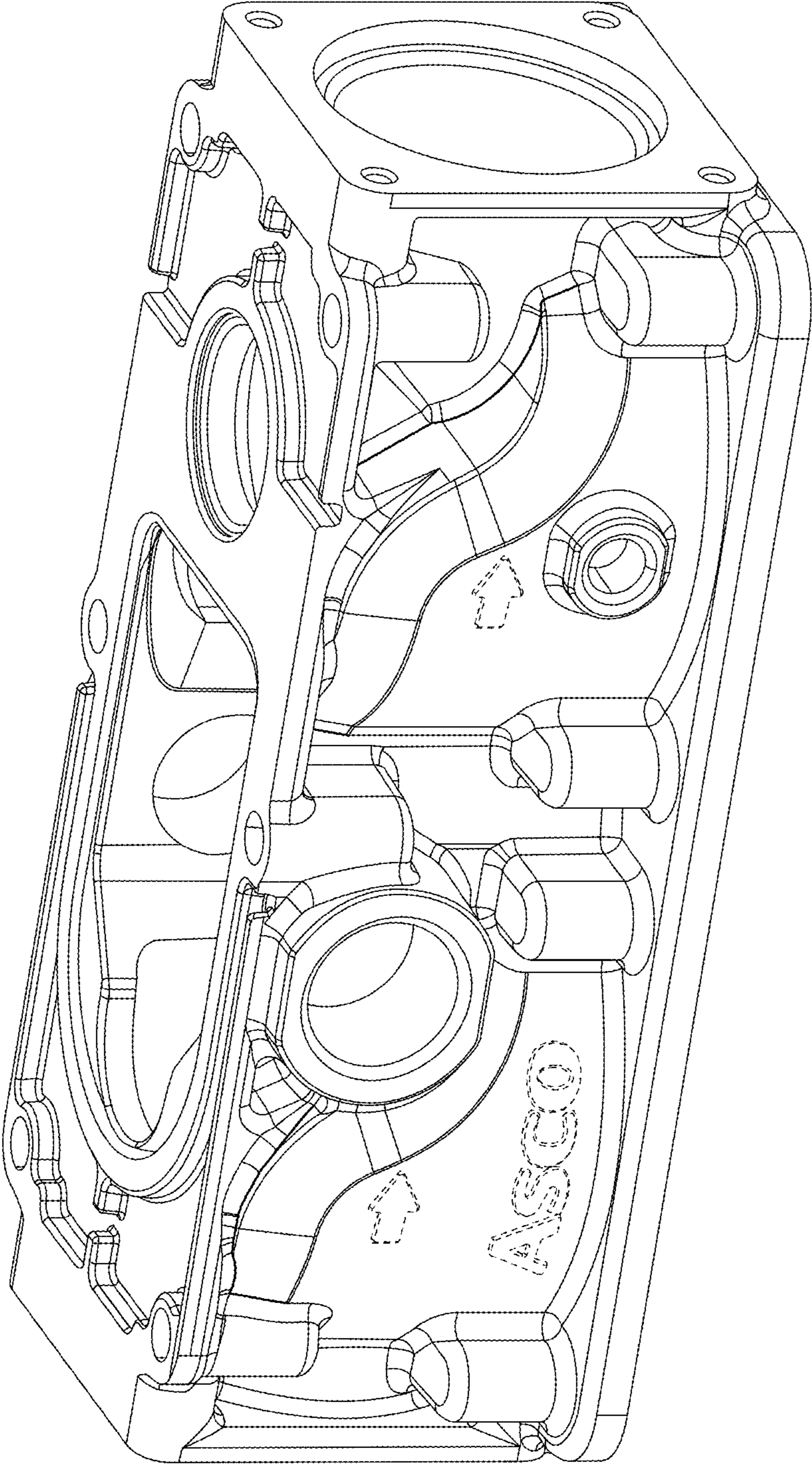


FIG. 1

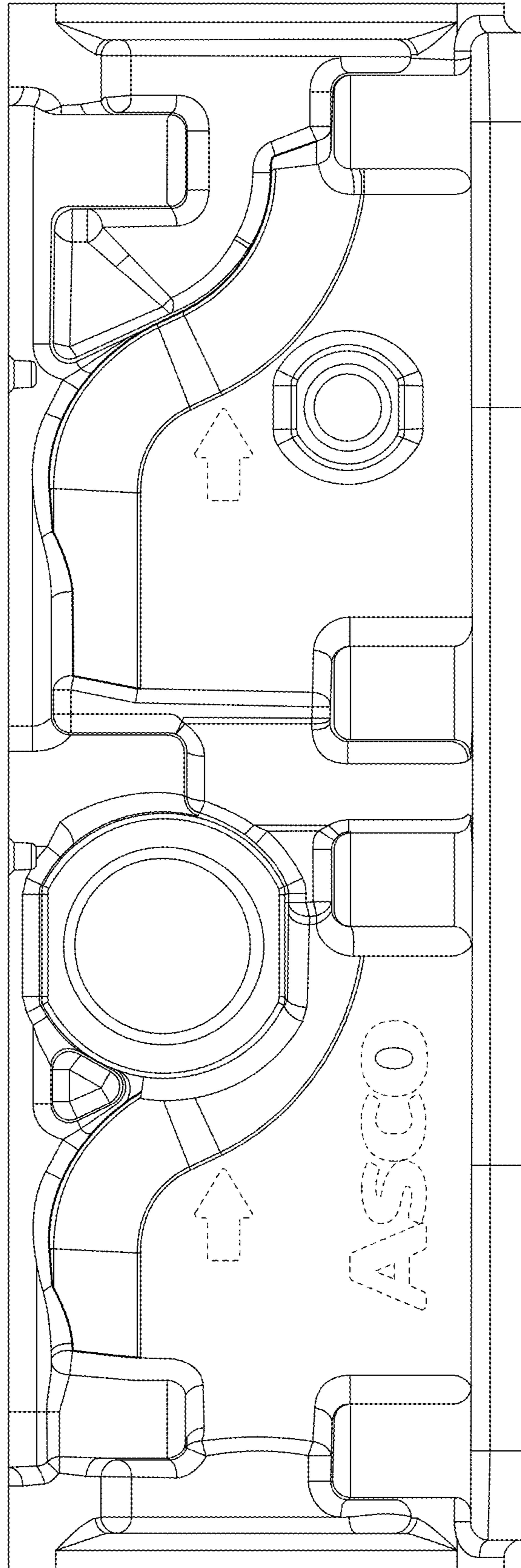


FIG. 2

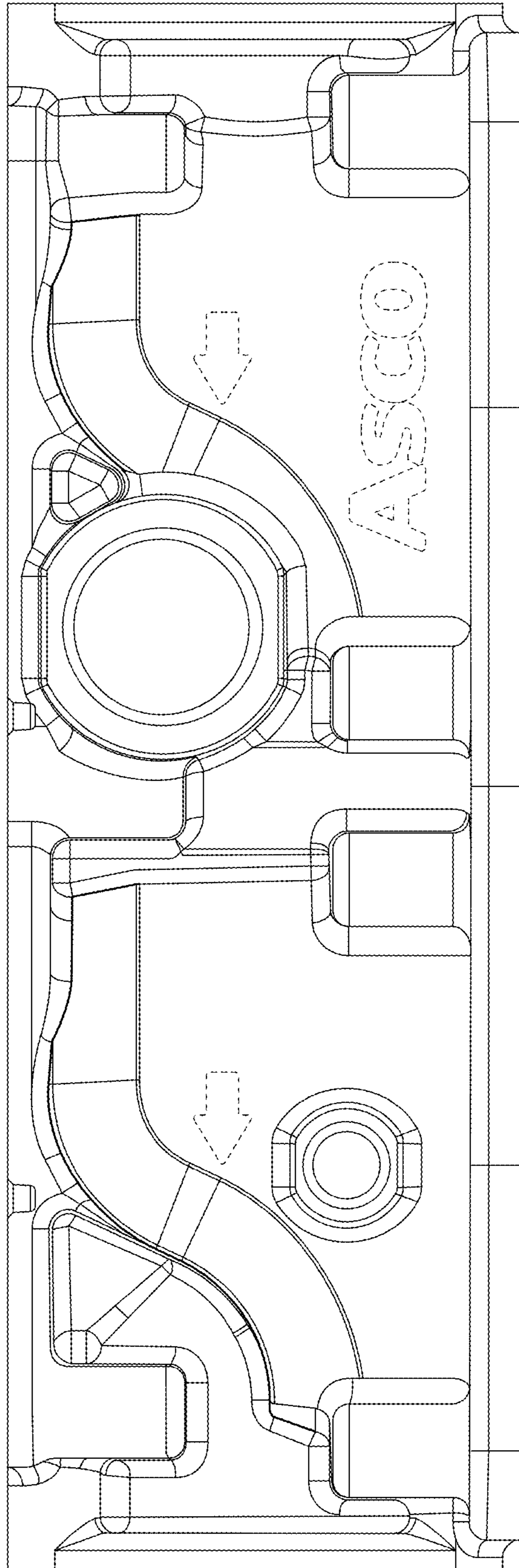


FIG. 3

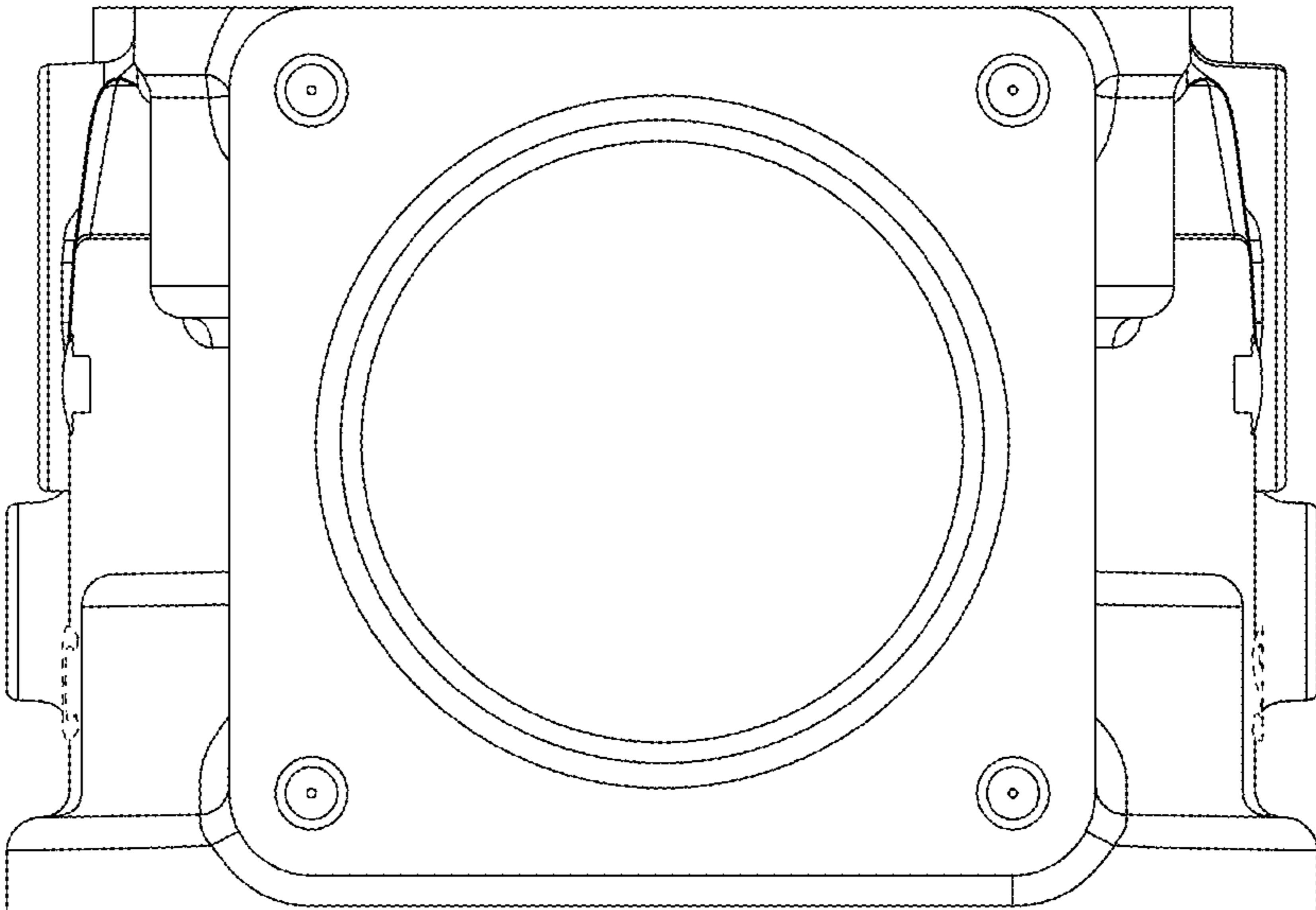


FIG. 4

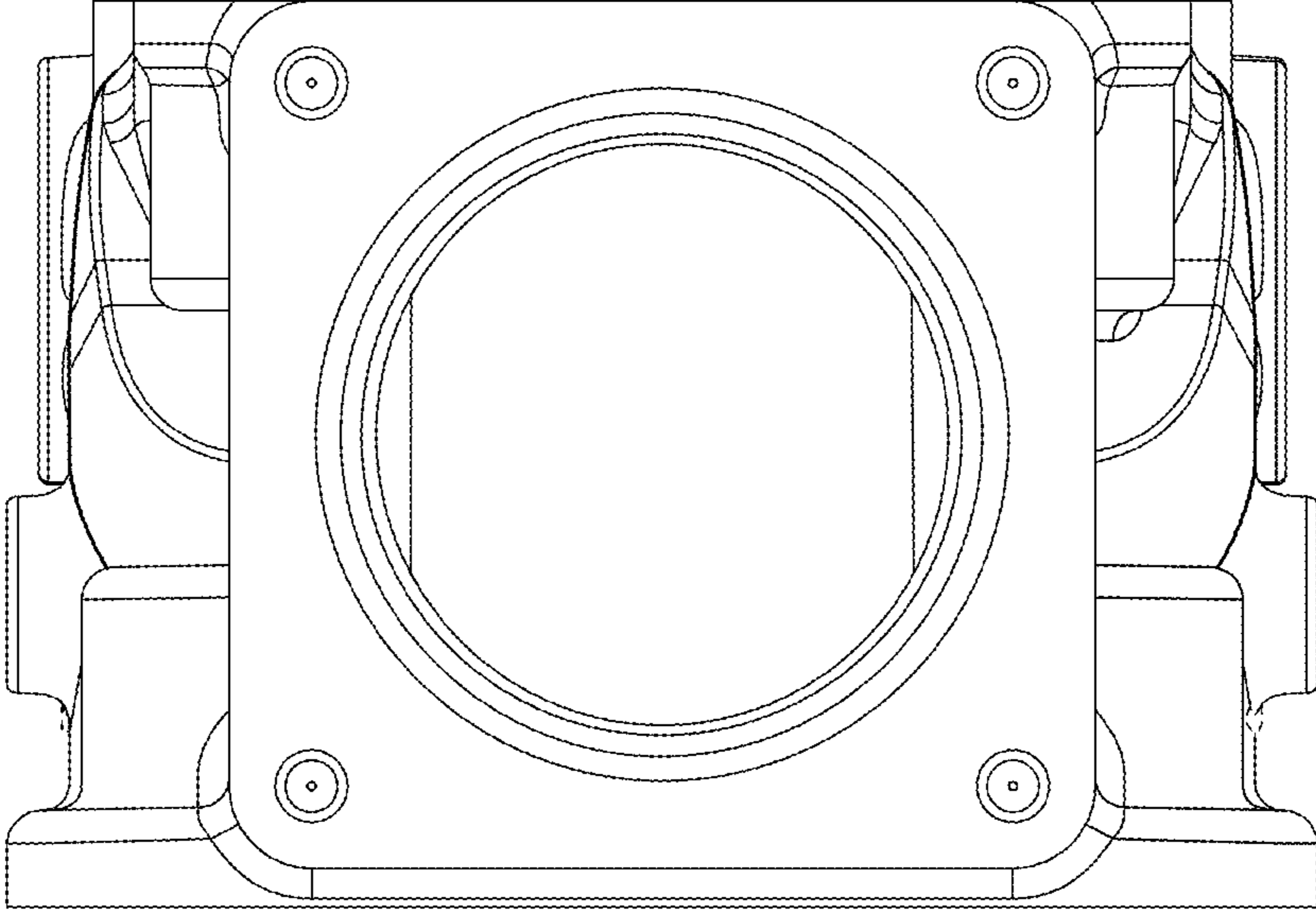


FIG. 5

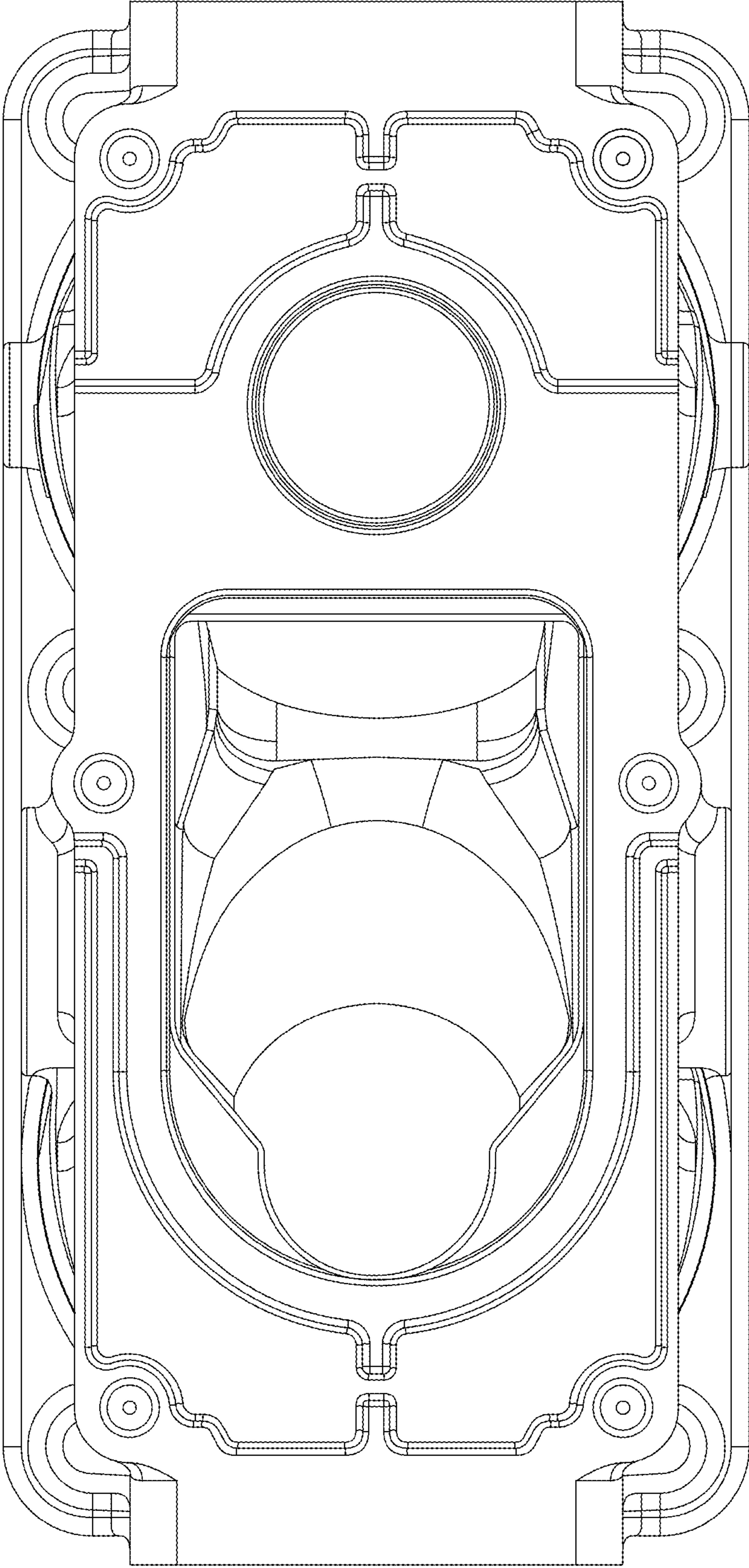


FIG. 6

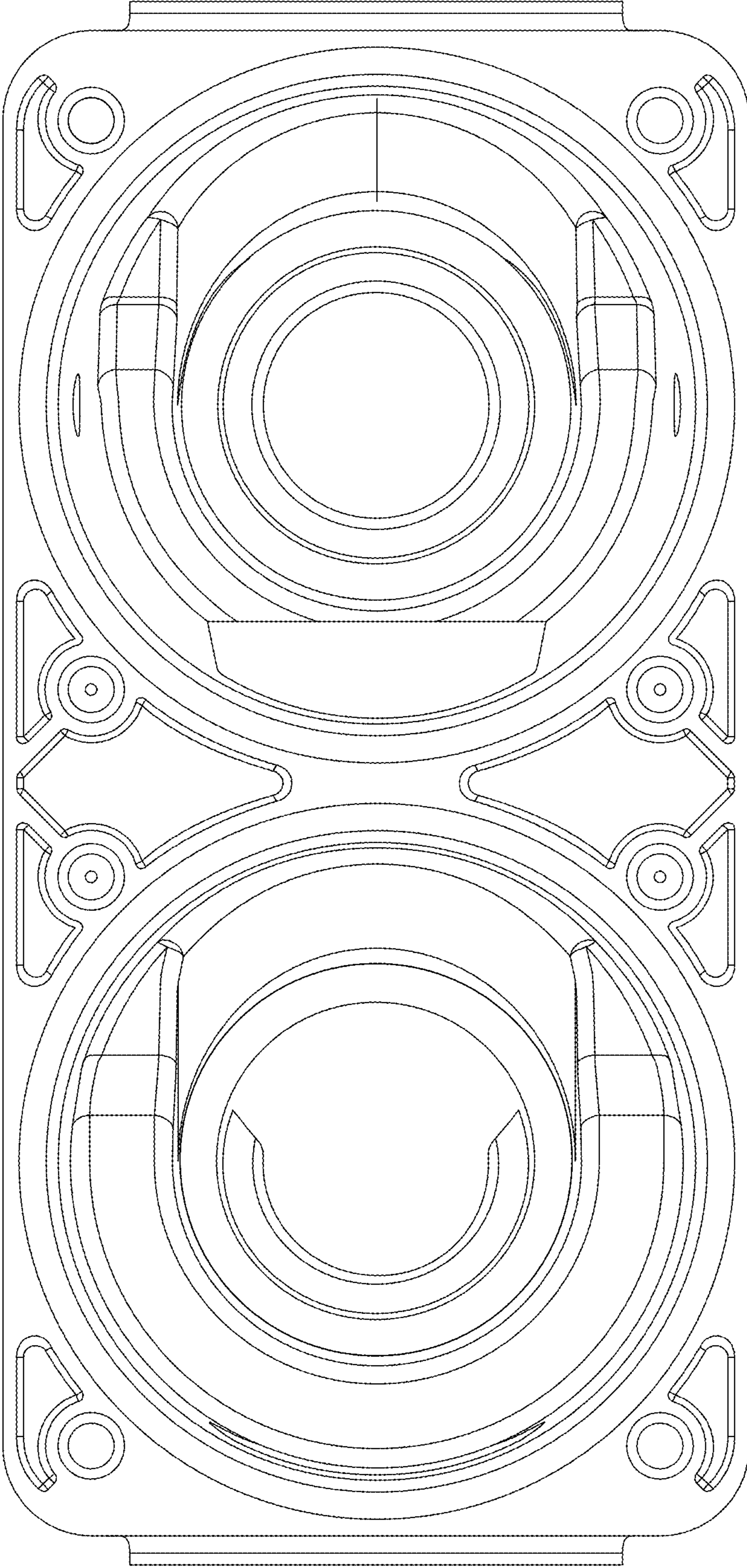


FIG. 7

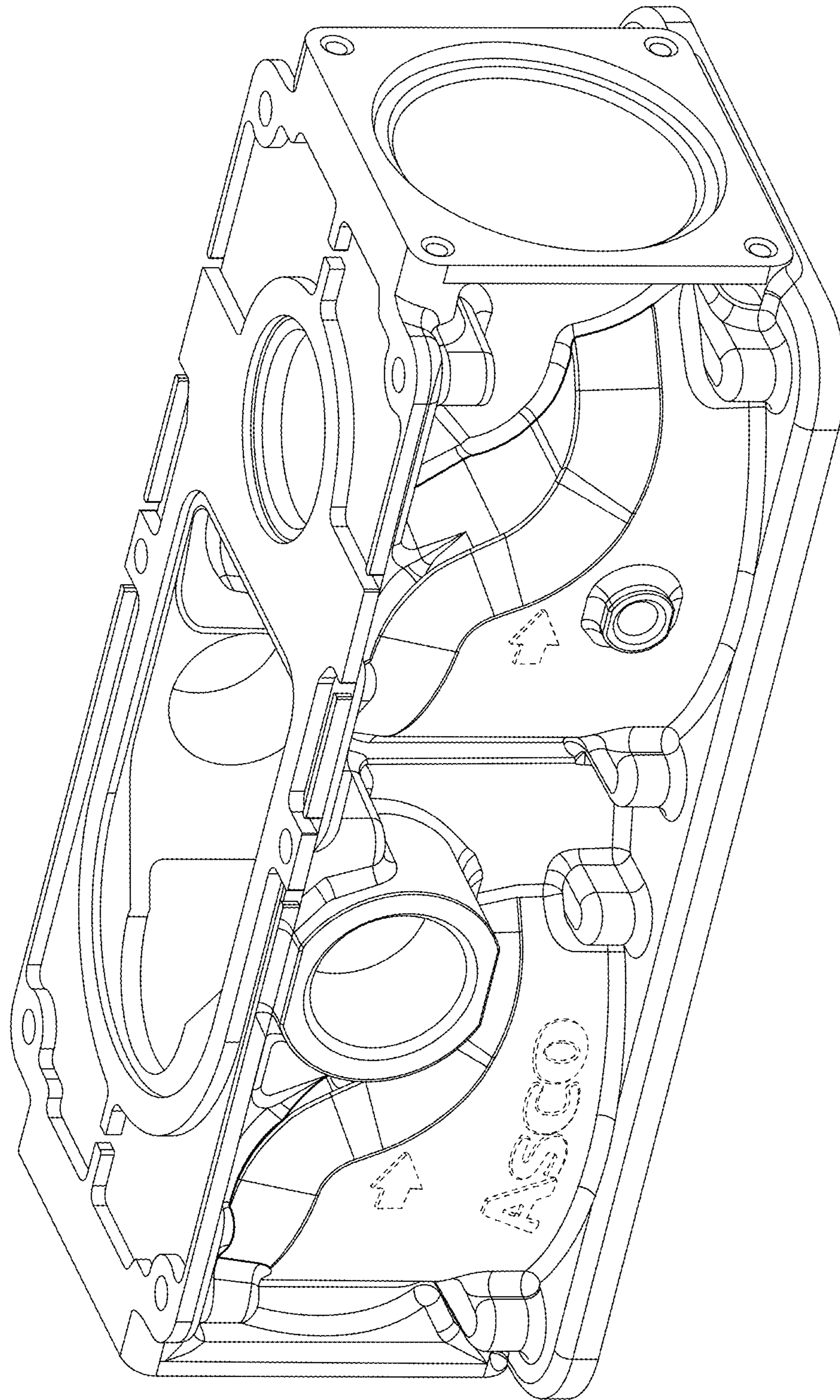


FIG. 8



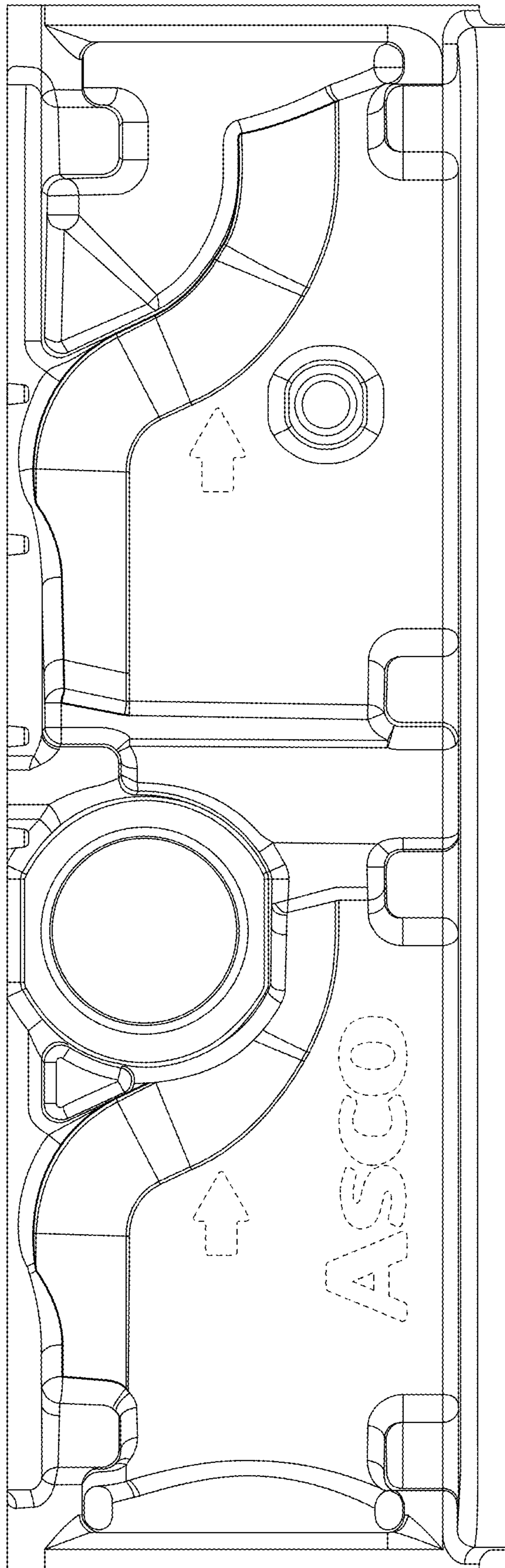


FIG. 9

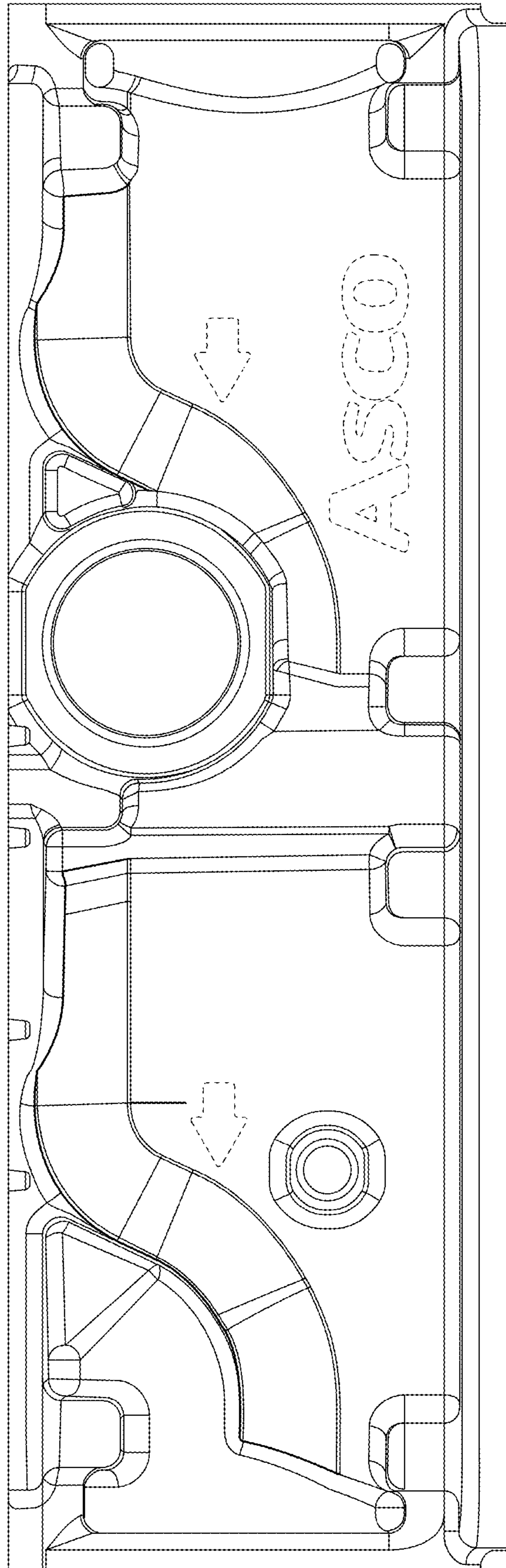


FIG. 10

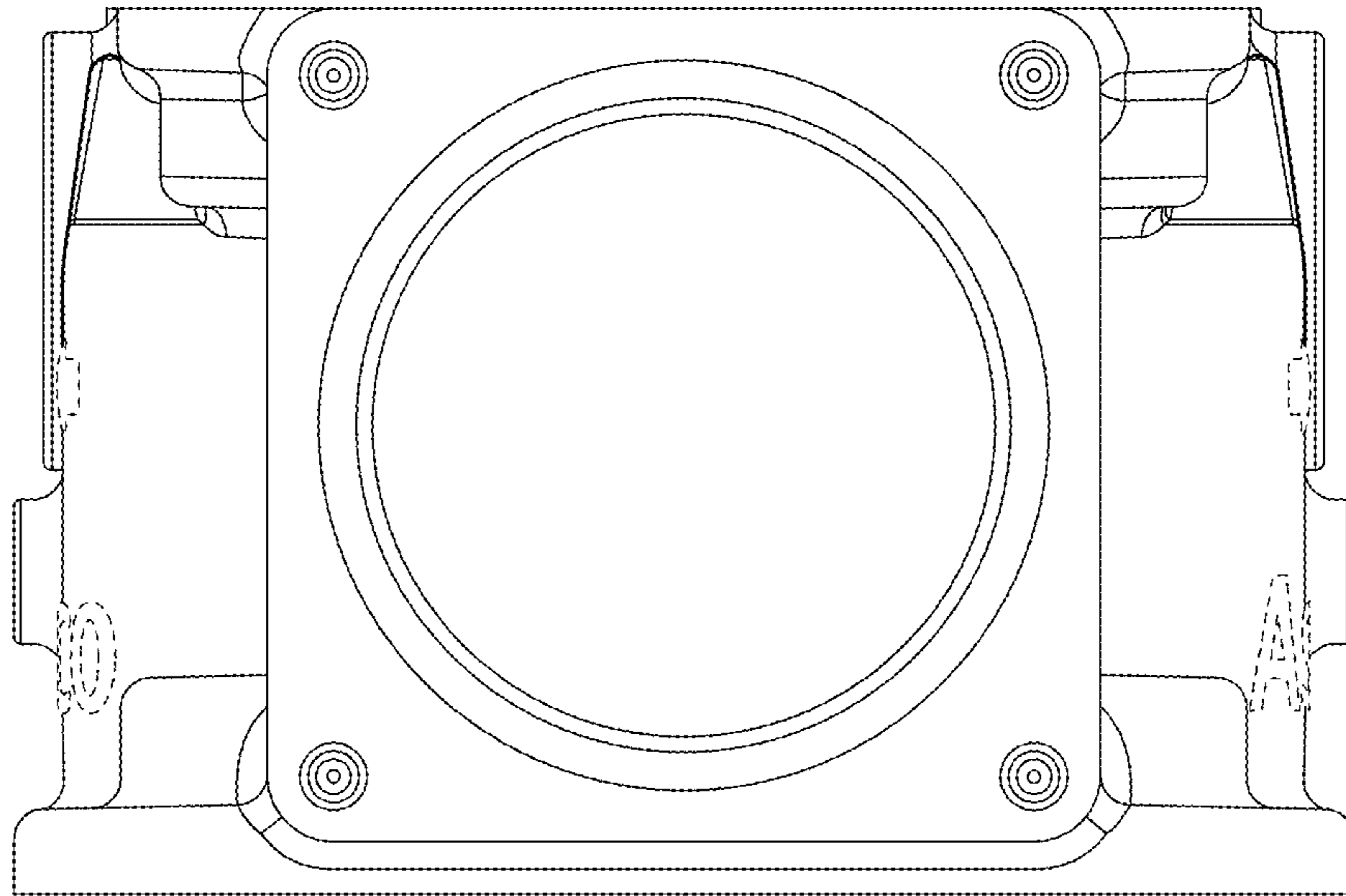


FIG. 11

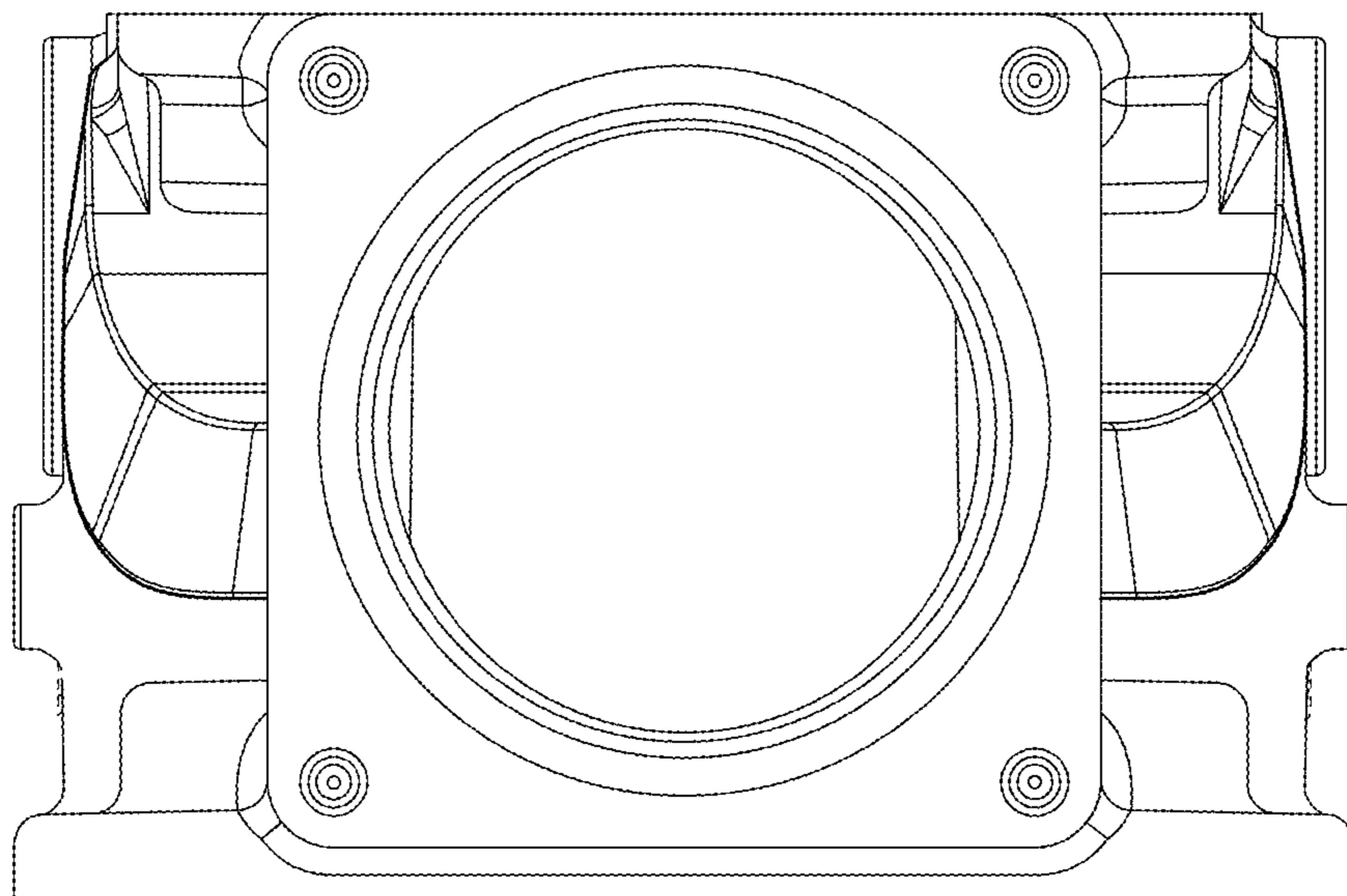


FIG. 12

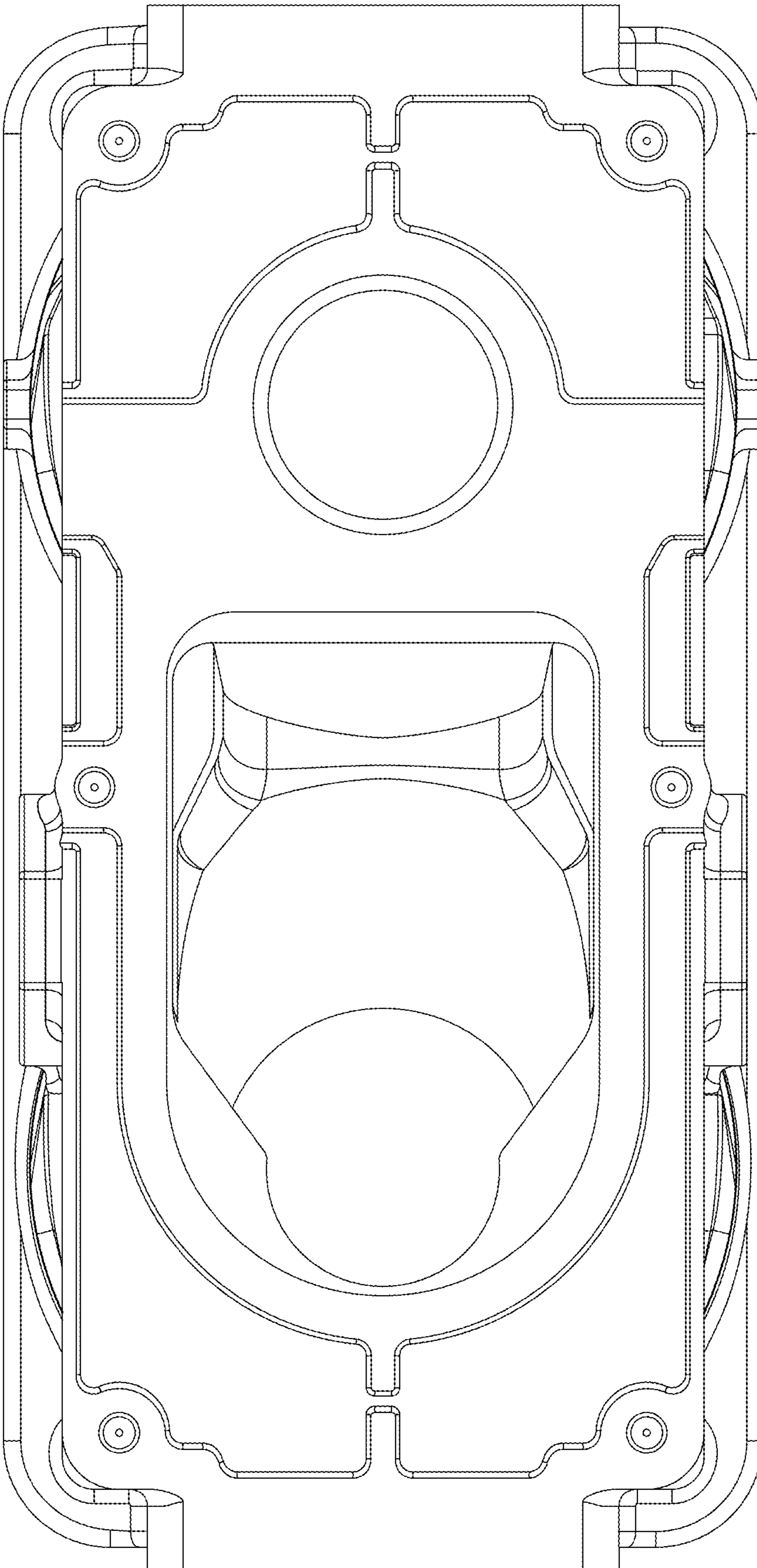


FIG. 13

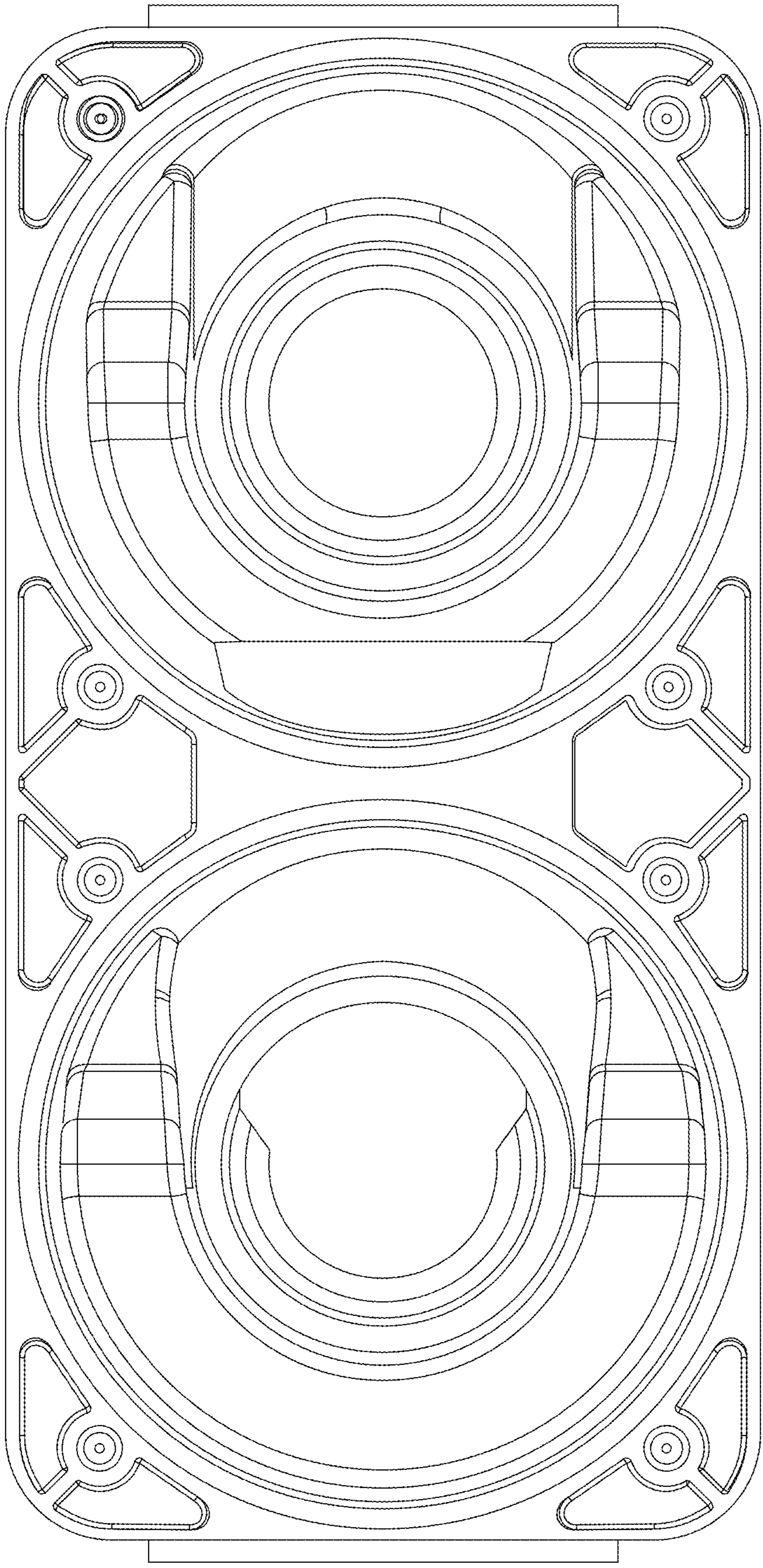


FIG. 14