



US00D977069S

(12) **United States Design Patent** (10) **Patent No.:** **US D977,069 S**  
**Urry** (45) **Date of Patent:** **\*\* Jan. 31, 2023**

(54) **SPRAYER**

(71) Applicant: **Husqvarna AB**, Huskvarna (SE)  
(72) Inventor: **Andrew Mark Urry**, Riverton, UT (US)  
(73) Assignee: **Husqvarna AB**, Huskvarna (SE)  
(\*\*) Term: **15 Years**  
(21) Appl. No.: **29/733,455**

(22) Filed: **May 1, 2020**  
(51) **LOC (14) Cl.** ..... **23-01**  
(52) **U.S. Cl.**  
USPC ..... **D23/226**  
(58) **Field of Classification Search**  
USPC ..... D8/2; D23/206, 213–215, 223, 225–226,  
D23/229, 232, 238, 243, 249–250, 283  
CPC ..... B05B 5/025; B05B 5/03; B05B 7/0018;  
B05B 7/02; B05B 7/064; B05B 7/129;  
B05B 7/2475; B05B 15/63  
See application file for complete search history.

(56) **References Cited**

**U.S. PATENT DOCUMENTS**

D251,917 S	5/1979	Morgan	
4,534,512 A	8/1985	Chow	
4,666,085 A	5/1987	Liaw	
D315,782 S	3/1991	Clivio	
5,501,400 A	3/1996	Kuo	
D369,853 S	5/1996	Wang	
D372,297 S	7/1996	Wang	
D377,966 S	2/1997	Wang	
D382,939 S	8/1997	Wang	
D409,275 S	5/1999	Wang	
D409,720 S *	5/1999	Guo	D23/226
D422,339 S	4/2000	Ericksen	
D434,107 S *	11/2000	Kuo	D23/226
D437,029 S *	1/2001	Chao	D23/226
D446,282 S	8/2001	Wang	

(Continued)

**OTHER PUBLICATIONS**

Orbit Irrigation Products, LLC, Product Nos. 58958 or 26032, shown in Attachment 1, apparently sold or offered for sale as part or the entirety of a multi-pack on or before Nov. 1, 2018.

(Continued)

*Primary Examiner* — Karen S Acker  
*Assistant Examiner* — Jonathan E Fiencke  
(74) *Attorney, Agent, or Firm* — Austin Rapp

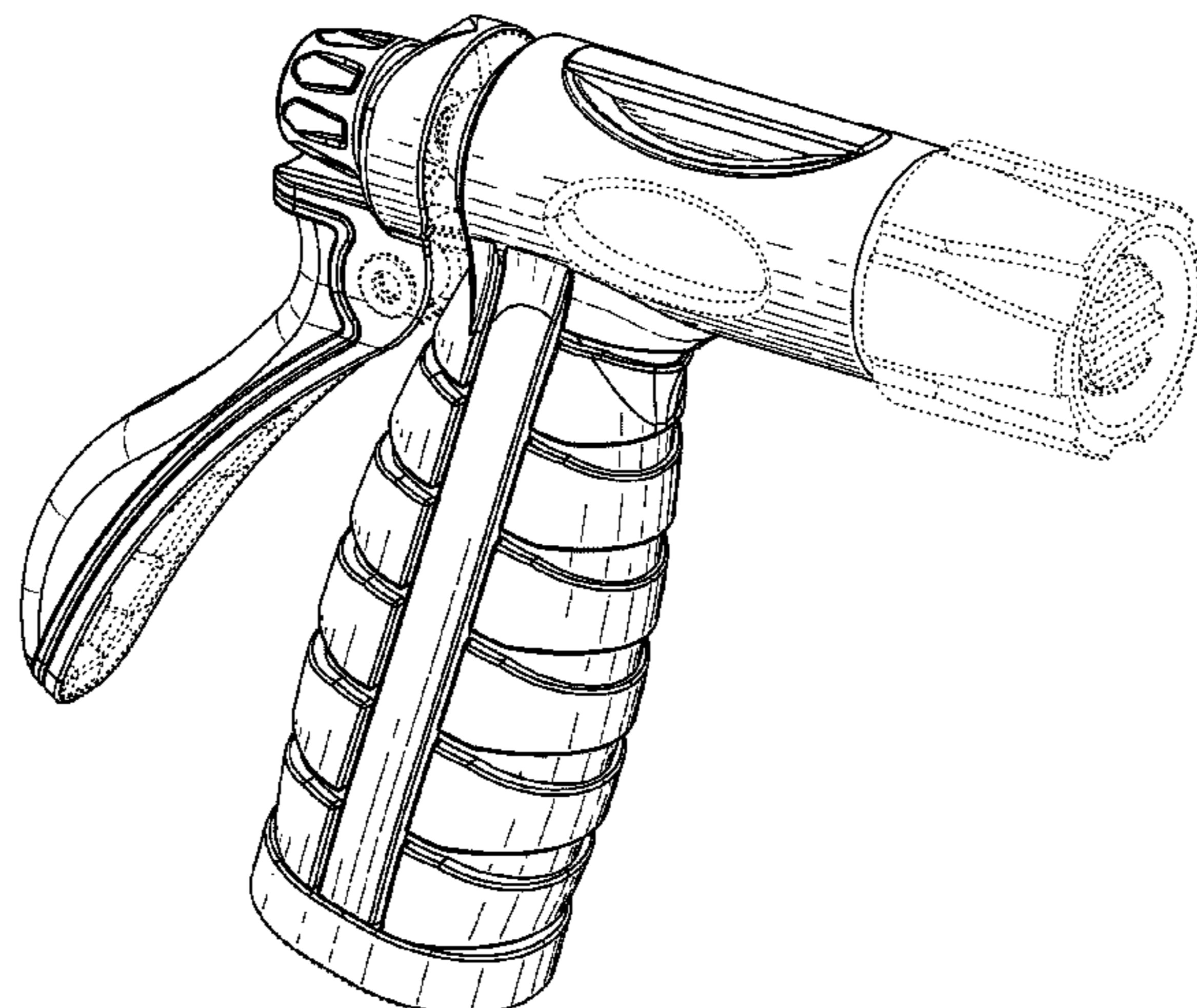
(57) **CLAIM**

The ornamental design for a sprayer, as shown and described.

**DESCRIPTION**

FIG. 1 is a first top perspective view of a sprayer according to my new design;  
FIG. 2 is a second top perspective view of the sprayer shown in FIG. 1;  
FIG. 3 is a first bottom perspective view of the sprayer shown in FIG. 1;  
FIG. 4 is a second bottom perspective view of the sprayer shown in FIG. 1;  
FIG. 5 is a front elevational view of the sprayer shown in FIG. 1;  
FIG. 6 is a rear elevational view of the sprayer shown in FIG. 1;  
FIG. 7 is a top view of the sprayer shown in FIG. 1;  
FIG. 8 is a bottom view of the sprayer shown in FIG. 1;  
FIG. 9 is a right side elevational view of the sprayer shown in FIG. 1;  
FIG. 10 is a left side elevational view of the sprayer shown in FIG. 1; and,  
FIG. 11 is a first top perspective view of the sprayer shown in FIG. 1 with an alternative, unclaimed sprayer head.  
The broken lines and areas between the broken lines depict portions of the sprayer that form no portion of the claimed design. In addition, each region that meets the following two criteria is also unclaimed and forms no portion of the claimed design: (1) the region at issue is between broken line(s) and solid line(s), and (2) the entirety of the region at issue is devoid of contour lines.

**1 Claim, 11 Drawing Sheets**



(56)

**References Cited**

U.S. PATENT DOCUMENTS

D446,283	S	8/2001	Wang	
D714,908	S *	10/2014	Mammen	..... D23/226
9,038,928	B2 *	5/2015	Ye	..... B05B 9/01 239/526
D766,400	S *	9/2016	Chen	..... D23/226
D767,094	S	9/2016	Chen	
D770,017	S *	10/2016	Chen	..... D23/226
D779,634	S *	2/2017	Chen	..... D23/226
D800,254	S *	10/2017	Chen	..... D23/226
D820,952	S	6/2018	Chen	
D824,492	S	7/2018	Chen	
10,213,800	B2	2/2019	Chen	
D846,074	S *	4/2019	Pease	..... D23/226
D919,748	S *	5/2021	Chen	..... B05B 9/01 D23/226
D919,749	S *	5/2021	Chen	..... D23/226
D946,118	S *	3/2022	Chen	..... D23/226
D952,796	S *	5/2022	Svendsen	..... D23/223
D953,486	S *	5/2022	Rigolio	..... D23/226
D959,606	S *	8/2022	Tobler	..... D23/226

OTHER PUBLICATIONS

Gilmour Ltd., Product No. 410GWT, shown in Attachment 2, apparently sold or offered for sale on or before Apr. 1, 2013.

Orbit Irrigation Products, Inc., Product No. 56621, shown in Attachment 3, apparently sold or offered for sale on or before Nov. 1, 2008.

\* cited by examiner

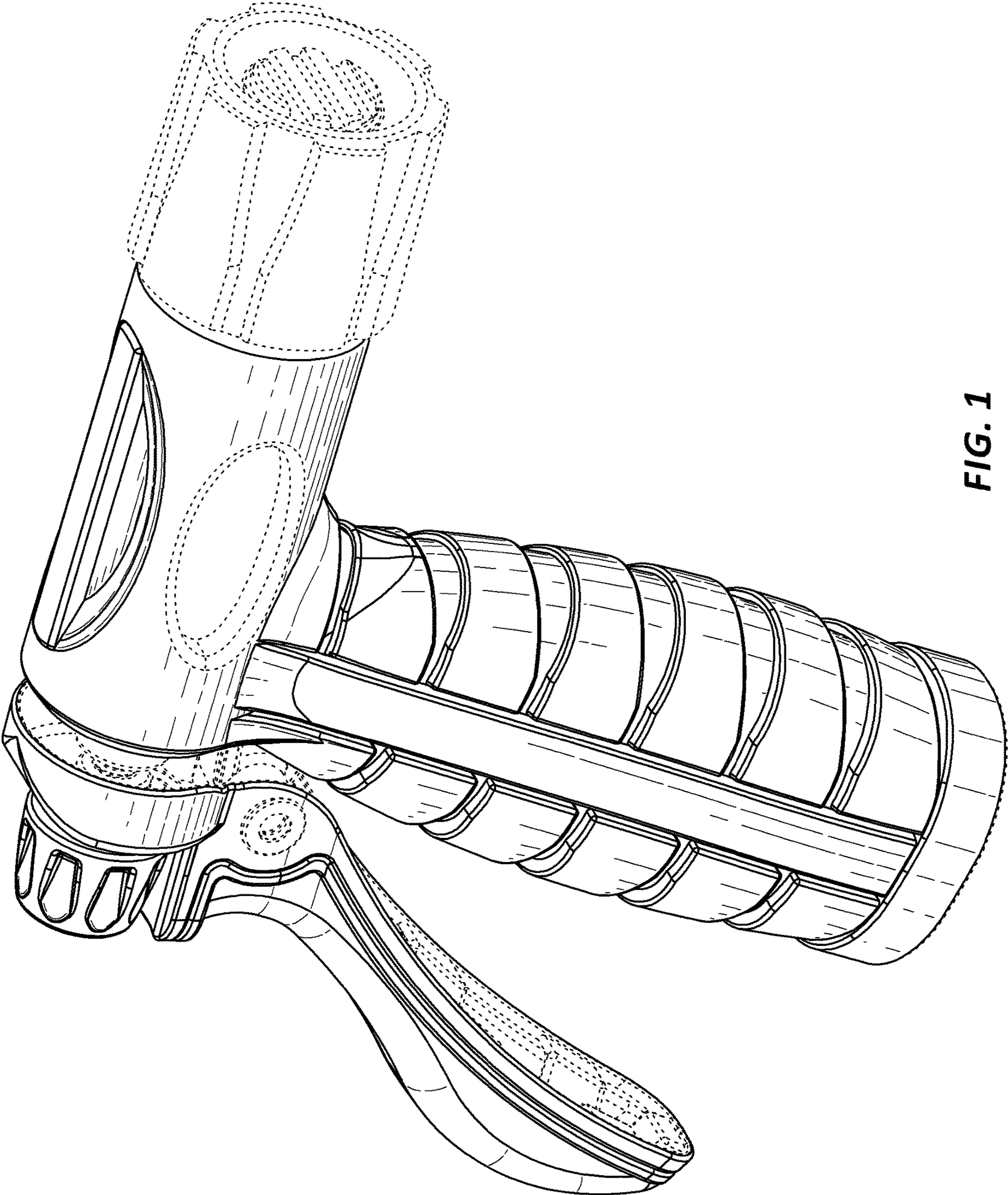


FIG. 1



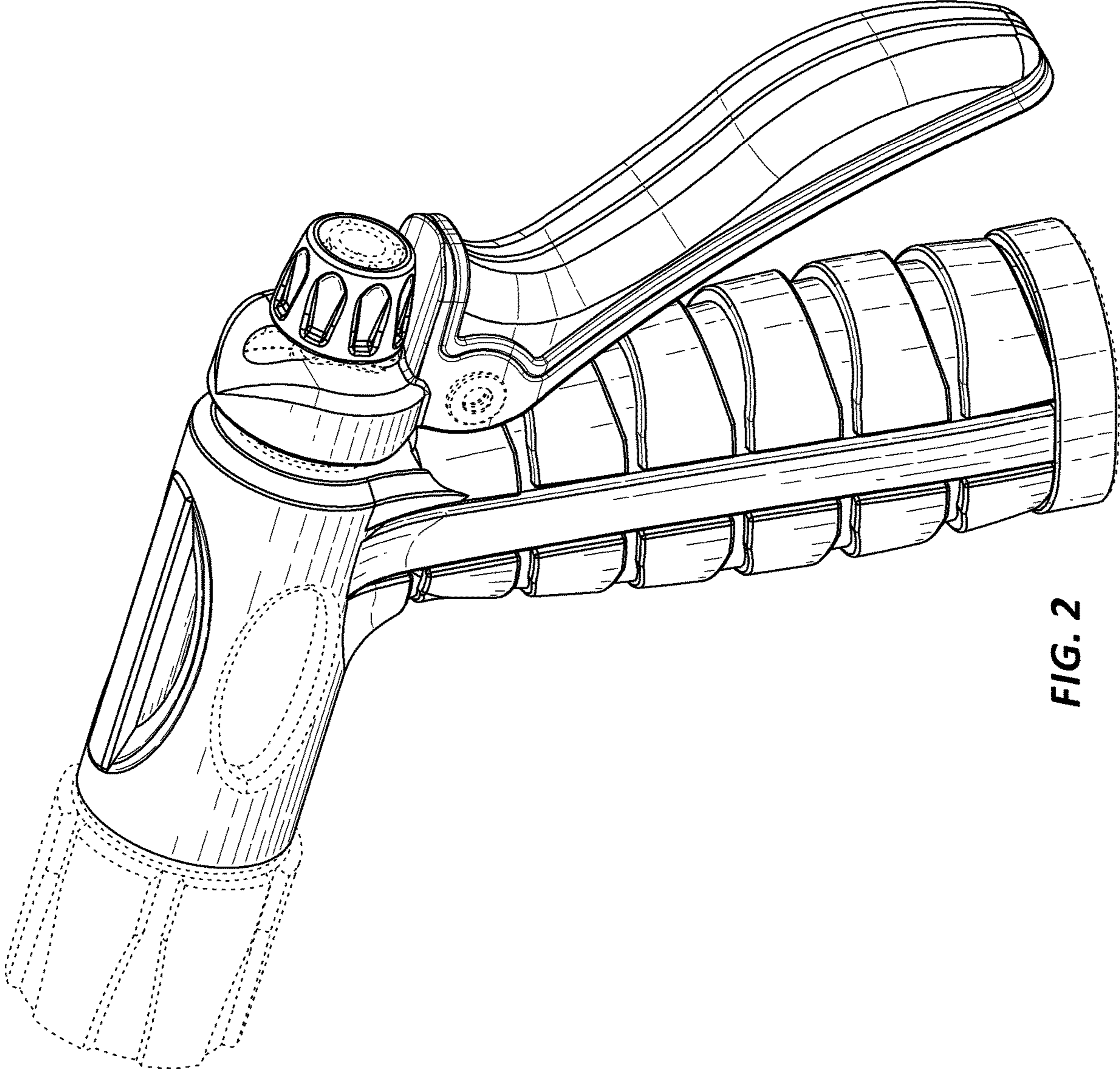


FIG. 2

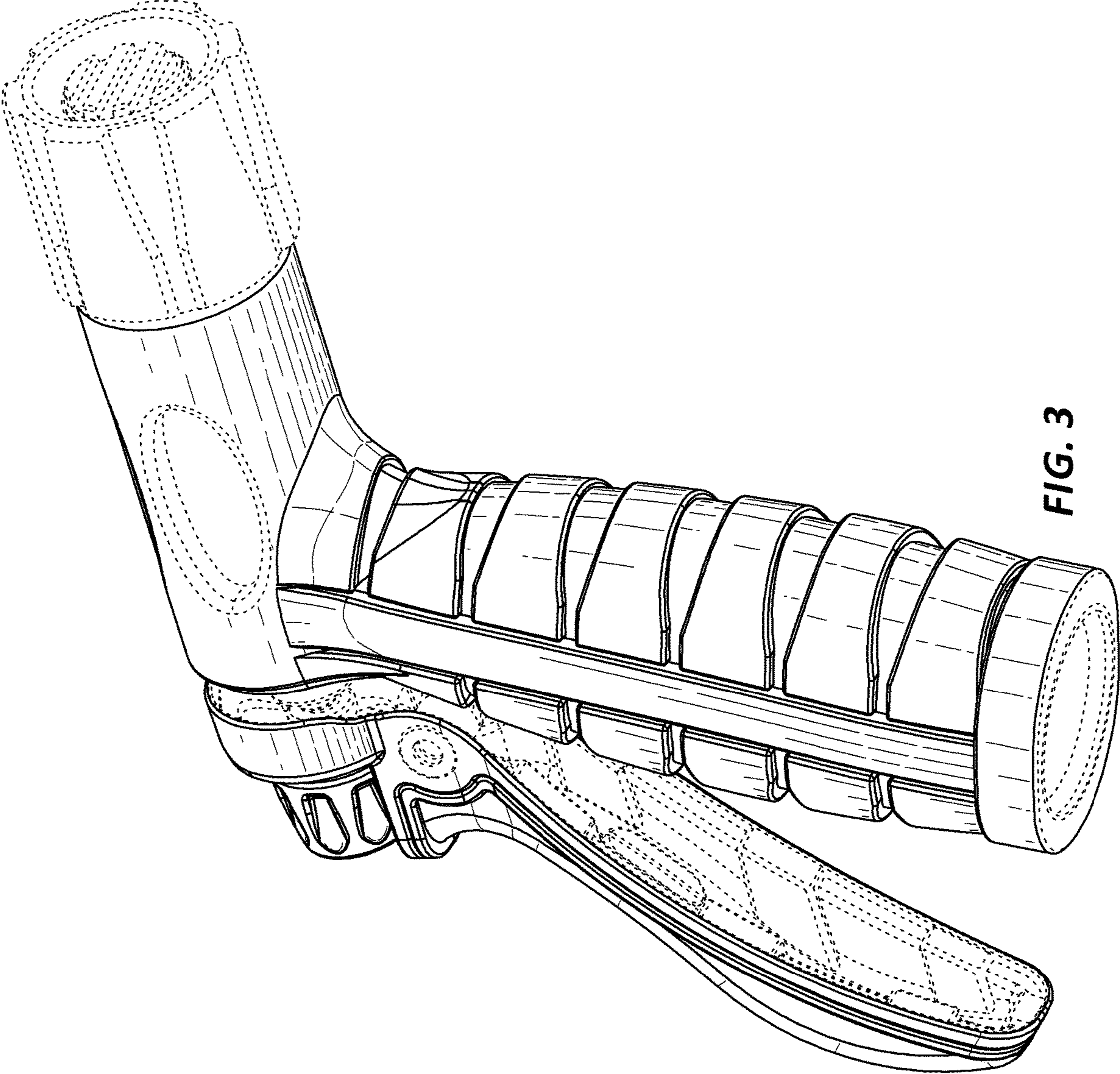


FIG. 3



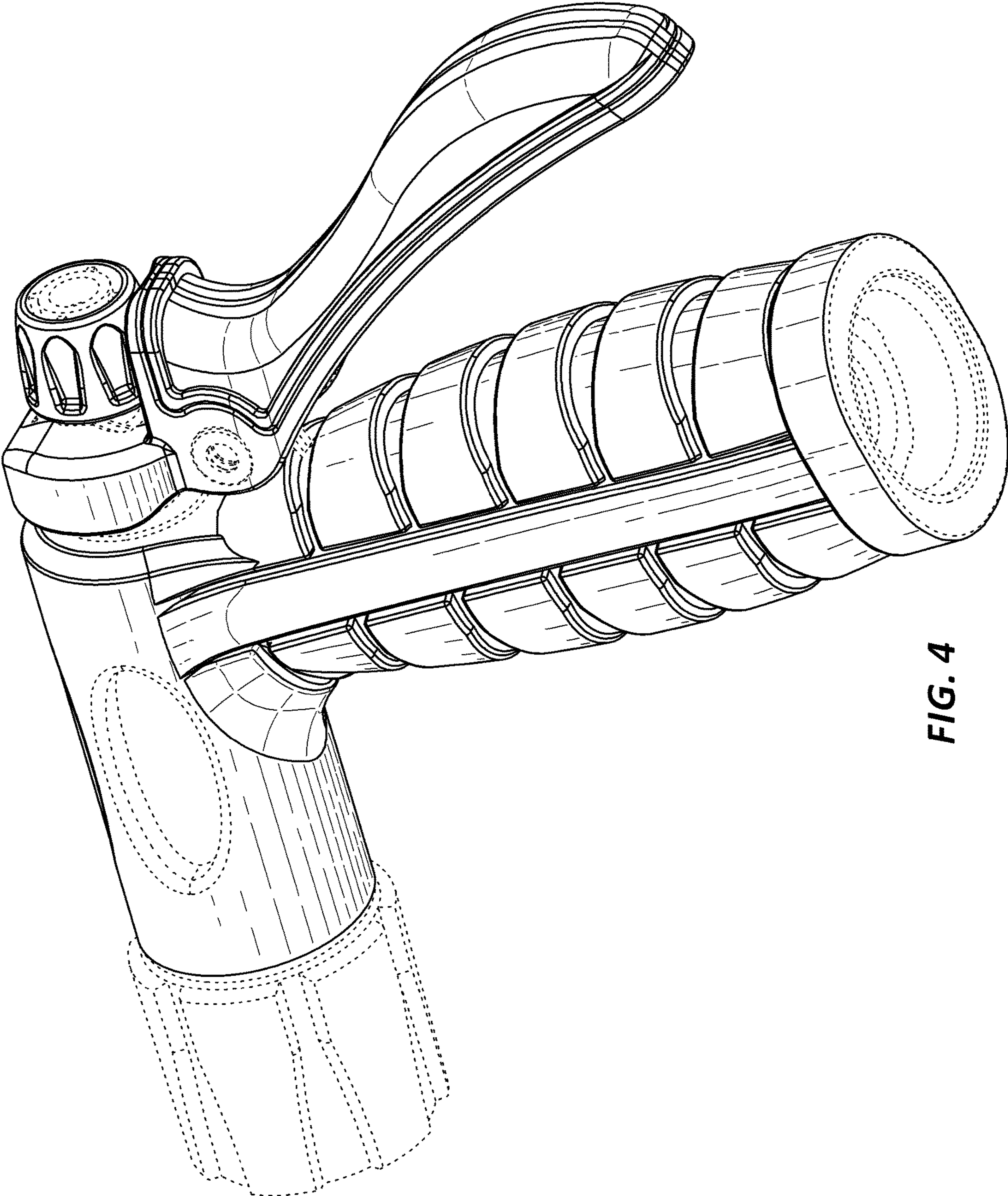
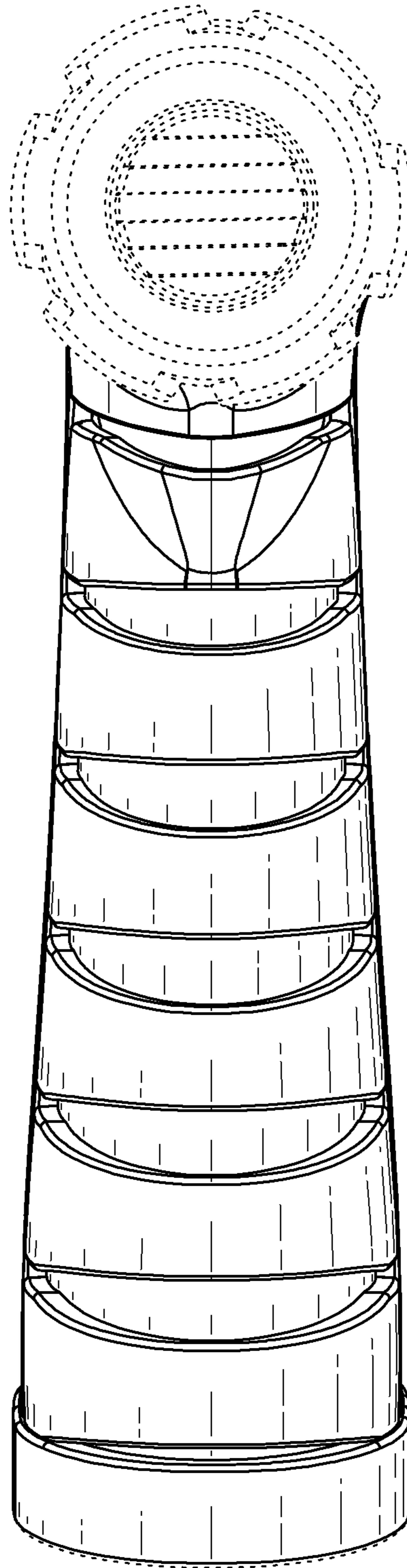
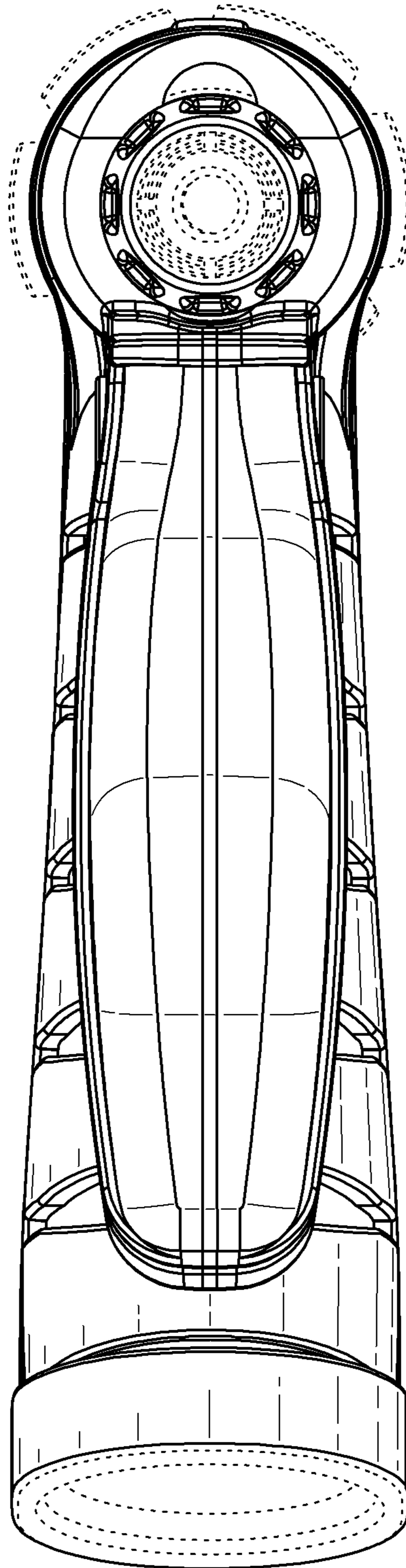


FIG. 4

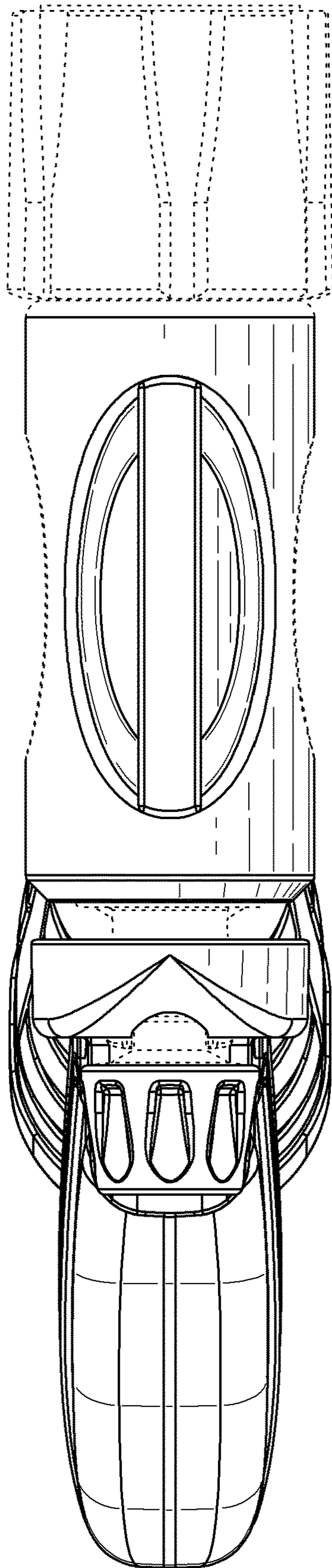


**FIG. 5**

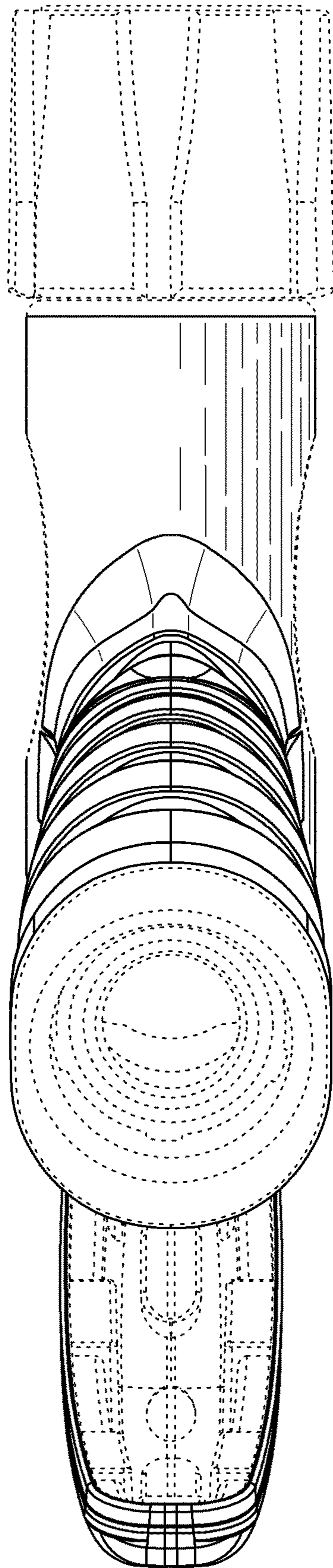


**FIG. 6**





**FIG. 7**



**FIG. 8**

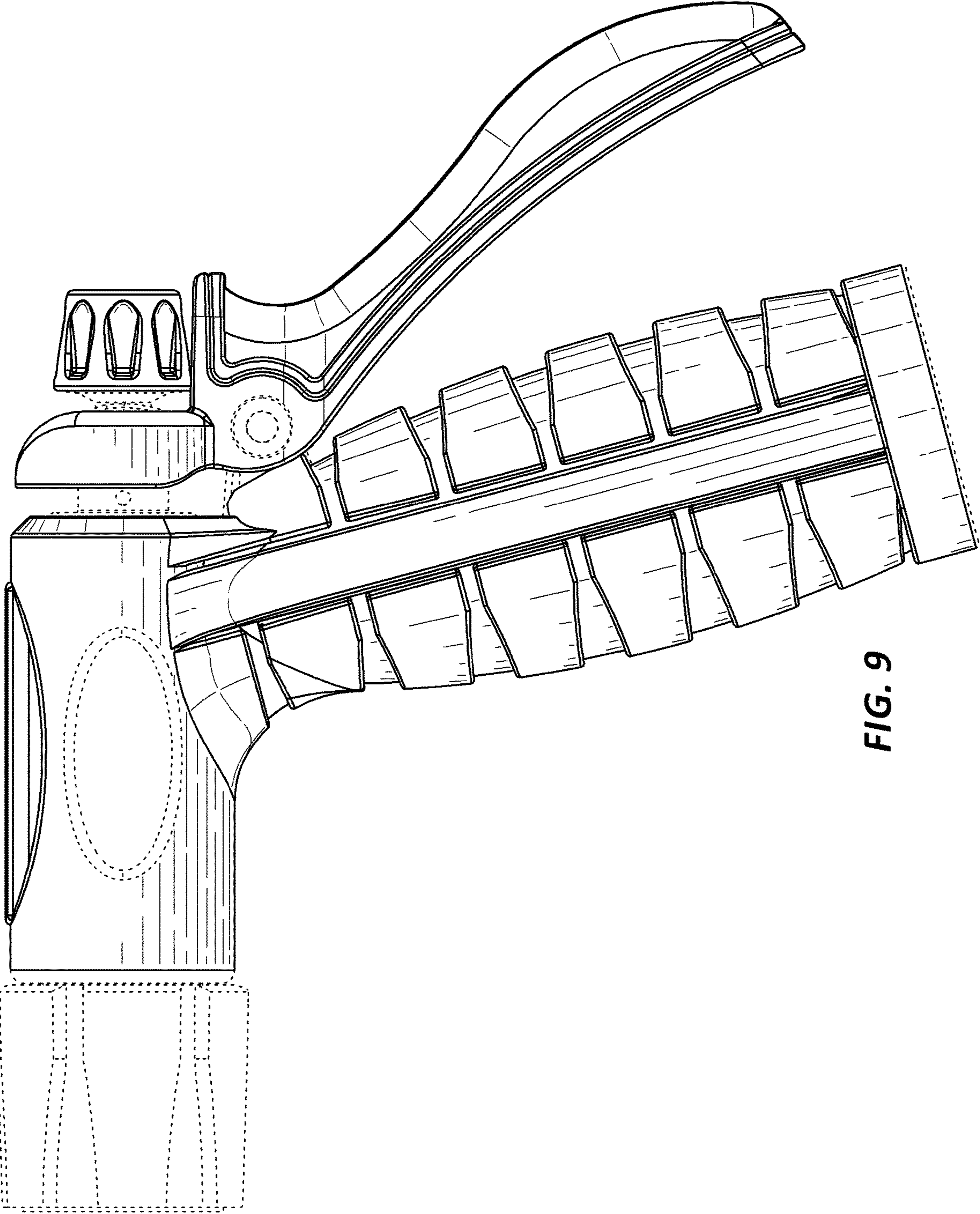


FIG. 9



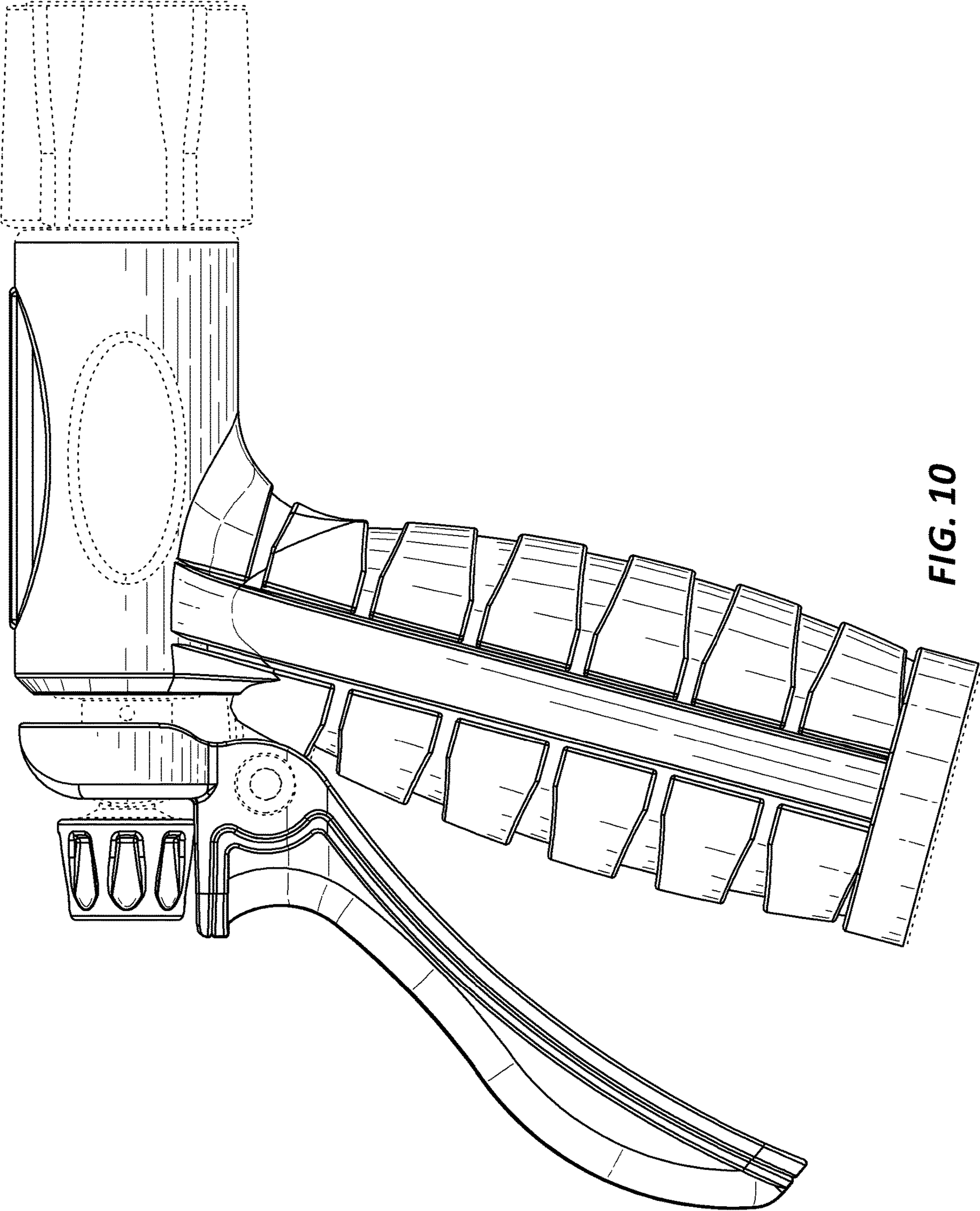


FIG. 10

