



US00D977068S

(12) **United States Design Patent**
Miller et al.

(10) **Patent No.: US D977,068 S**

(45) **Date of Patent: ** Jan. 31, 2023**

(54) **SHOWER COMPONENTS**

(71) Applicant: **Kohler Co.**, Kohler, WI (US)
(72) Inventors: **Brandon H. Miller**, Sheboygan, WI (US); **Gary N. Clarke**, Sheboygan, WI (US)

(73) Assignee: **KOHLER CO.**, Kohler, WI (US)

(**) Term: **15 Years**

(21) Appl. No.: **29/717,005**

(22) Filed: **Dec. 13, 2019**

(51) **LOC (14) Cl.** **23-01**

(52) **U.S. Cl.**
USPC **D23/226**

(58) **Field of Classification Search**
USPC D23/213, 214, 215, 223, 224, 226, 229, 230
CPC A61H 9/0021; A61H 33/00; B05B 1/00; B05B 1/14; B05B 1/185; B05B 1/08; B05B 1/02; B05B 1/26; B05B 12/002; B05B 1/18; B05B 9/01

See application file for complete search history.

(56) **References Cited**

U.S. PATENT DOCUMENTS

D299,850 S *	2/1989	Feher	D23/229
D329,276 S *	9/1992	Blake	D23/213
D341,874 S *	11/1993	Meilman	D23/213
D386,567 S *	11/1997	Reeves	D23/213
D461,872 S *	8/2002	Lobermeier	D23/228
D483,837 S *	12/2003	Fan	D23/213
D559,949 S *	1/2008	Bickler	D23/228
7,360,723 B2	4/2008	Lev		
7,665,676 B2	2/2010	Lev		

(Continued)

OTHER PUBLICATIONS

Azos Double Shower Head with Shower Head Shut-Off Valve, Sep. 3, 2020, amazon.ca, Sep. 15, 2022, URL: <https://www.amazon.com/dp/B08HDQ1VZK/> (Year: 2020).*

(Continued)

Primary Examiner — Keith J Wilson

(74) *Attorney, Agent, or Firm* — Foley & Lardner LLP

(57) **CLAIM**

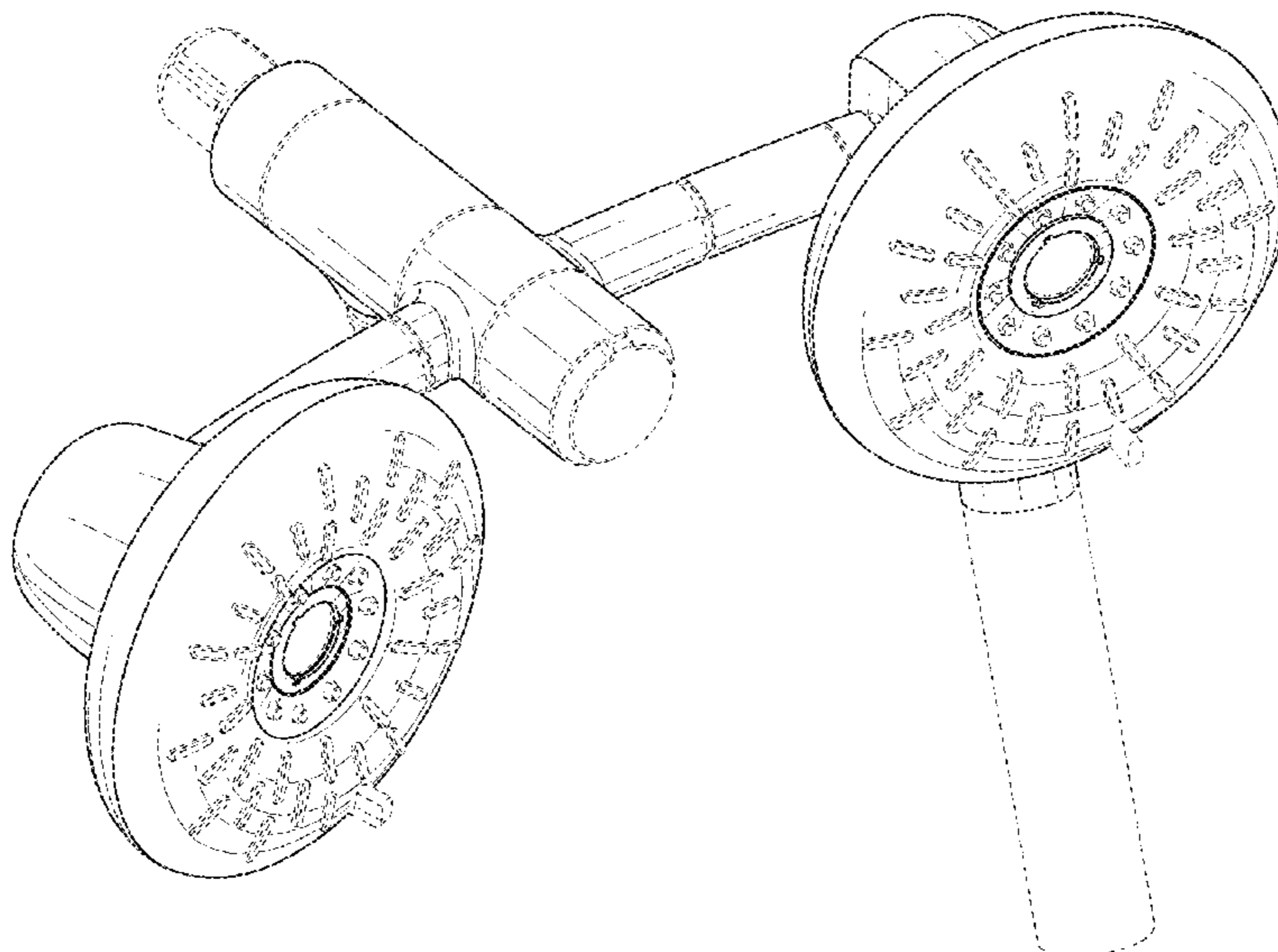
We claim the ornamental design for a shower components, as shown and described.

DESCRIPTION

FIG. 1 is a perspective view of the claimed design; FIG. 2 is a front view of the claimed design shown in FIG. 1; FIG. 3 is a rear view of the claimed design shown in FIG. 1; FIG. 4 is a side view of the claimed design shown in FIG. 1; FIG. 5 is another side view of the claimed design shown in FIG. 1; FIG. 6 is a top view of the claimed design shown in FIG. 1; and, FIG. 7 is a bottom view of the claimed design shown in FIG. 1.

The ornamental design that is claimed is shown in the drawings as solid lines and surfaces having surface shading: The broken lines in the drawings are for illustrative purposes only and form no part of the claimed design. For example, broken lines formed by equal length dashes show unclaimed portions of the design. Broken lines formed of unequal length dashes (i.e., dash-dot) show boundaries between either claimed and unclaimed portions of the design or between unclaimed and unclaimed portions of the design. Break lines having a jagged element are not part of the claimed design and show unspecified lengths of the portion are possible. The appearance of any portion of the article between the break lines forms no part of the claimed design.

1 Claim, 7 Drawing Sheets



(56)

References Cited

U.S. PATENT DOCUMENTS

D619,216 S * 7/2010 Yongyan D23/228
 D621,002 S * 8/2010 Yongyan D23/228
 D639,391 S * 6/2011 Yongyan D23/228
 8,066,204 B2 11/2011 Petrovic et al.
 D665,049 S * 8/2012 Flowers D23/228
 D665,476 S * 8/2012 Flowers D23/228
 8,479,772 B2 7/2013 Petrovic et al.
 D704,301 S * 5/2014 Standefer D23/304
 D705,900 S * 5/2014 Bailey D23/228
 D719,640 S * 12/2014 Yu D23/228
 9,050,612 B2 6/2015 Miller et al.
 9,162,237 B2 10/2015 Huffington et al.
 9,486,817 B2 11/2016 Patton et al.
 9,566,593 B2 2/2017 Marty et al.
 9,687,860 B2 6/2017 Huffington et al.
 D803,350 S * 11/2017 Tian D23/228
 9,828,752 B2 11/2017 Genord et al.
 10,017,923 B2 7/2018 Genord et al.
 D841,128 S * 2/2019 Zhou D23/228
 D884,834 S * 5/2020 Breda D23/228
 D935,556 S * 11/2021 Yan D23/213

D935,557 S * 11/2021 Yan D23/213
 D942,589 S * 2/2022 Su D23/226
 D943,060 S * 2/2022 Fan D23/213
 11,243,010 B2 * 2/2022 Emery E03C 1/0408
 11,247,223 B2 * 2/2022 Huang B05B 15/68
 D944,919 S * 3/2022 Yu D23/213
 D954,900 S * 6/2022 Cocks D23/228
 2013/0299608 A1 11/2013 Spangler et al.
 2018/0056308 A1 * 3/2018 Borges B05B 1/185
 2018/0291601 A1 10/2018 Genord et al.
 2022/0032326 A1 * 2/2022 Cacka E03C 1/0405
 2022/0038802 A1 * 2/2022 Hanna E03C 1/0408
 2022/0048049 A1 * 2/2022 Rexach B05B 1/3046
 2022/0167801 A1 * 6/2022 Gospel A47K 3/283

OTHER PUBLICATIONS

Haoxin Shower Head Manifold with Double Outlet and Shut Off Valves, Jul. 29, 2018, amazon.ca, Sep. 15, 2022, URL: <https://www.amazon.com/HAOXIN-Manifold-Sprayer-Showering-Showerheads/dp/B07FZJZTX/> (Year: 2018).*

* cited by examiner

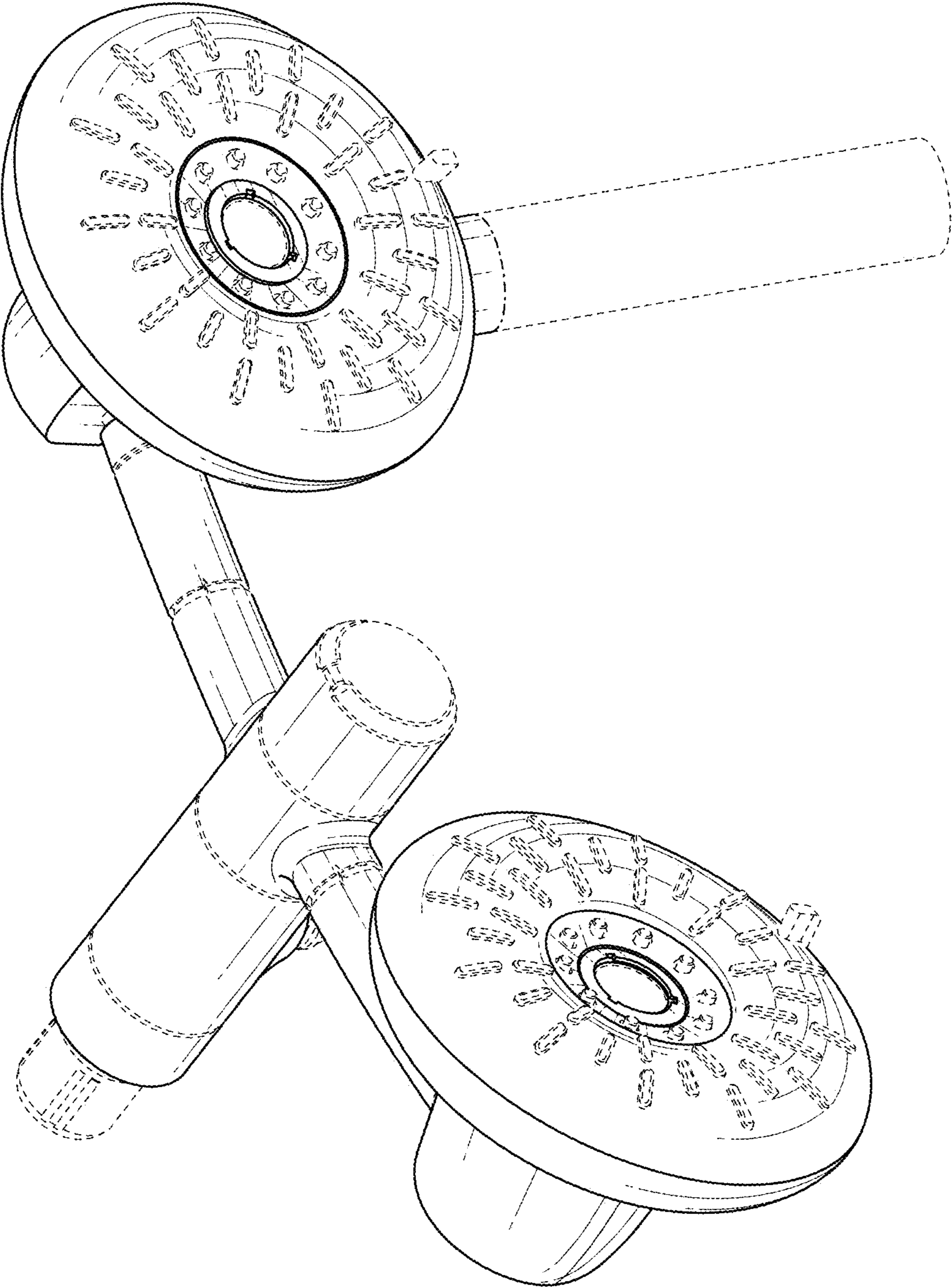


FIG. 1

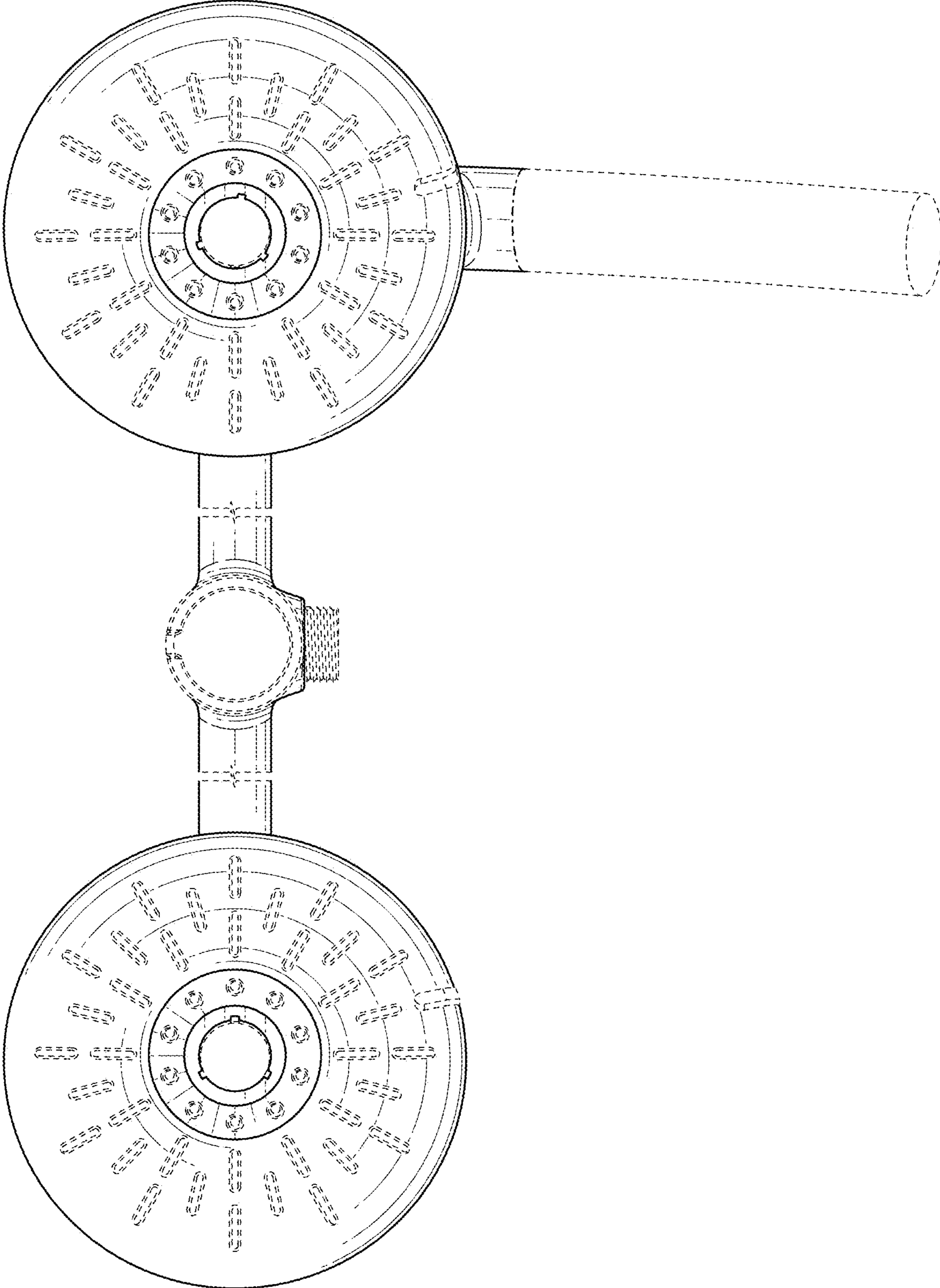


FIG. 2

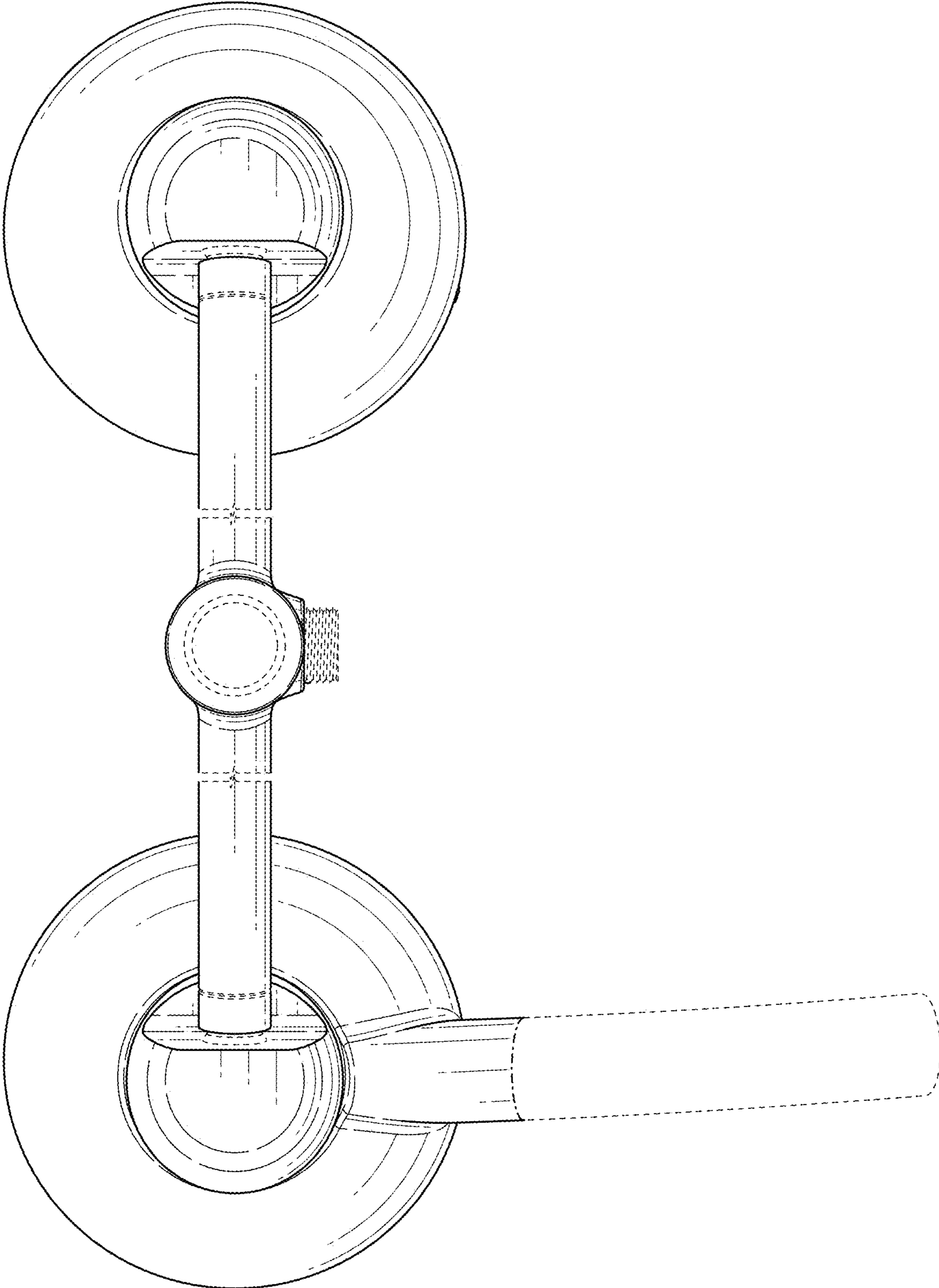


FIG. 3

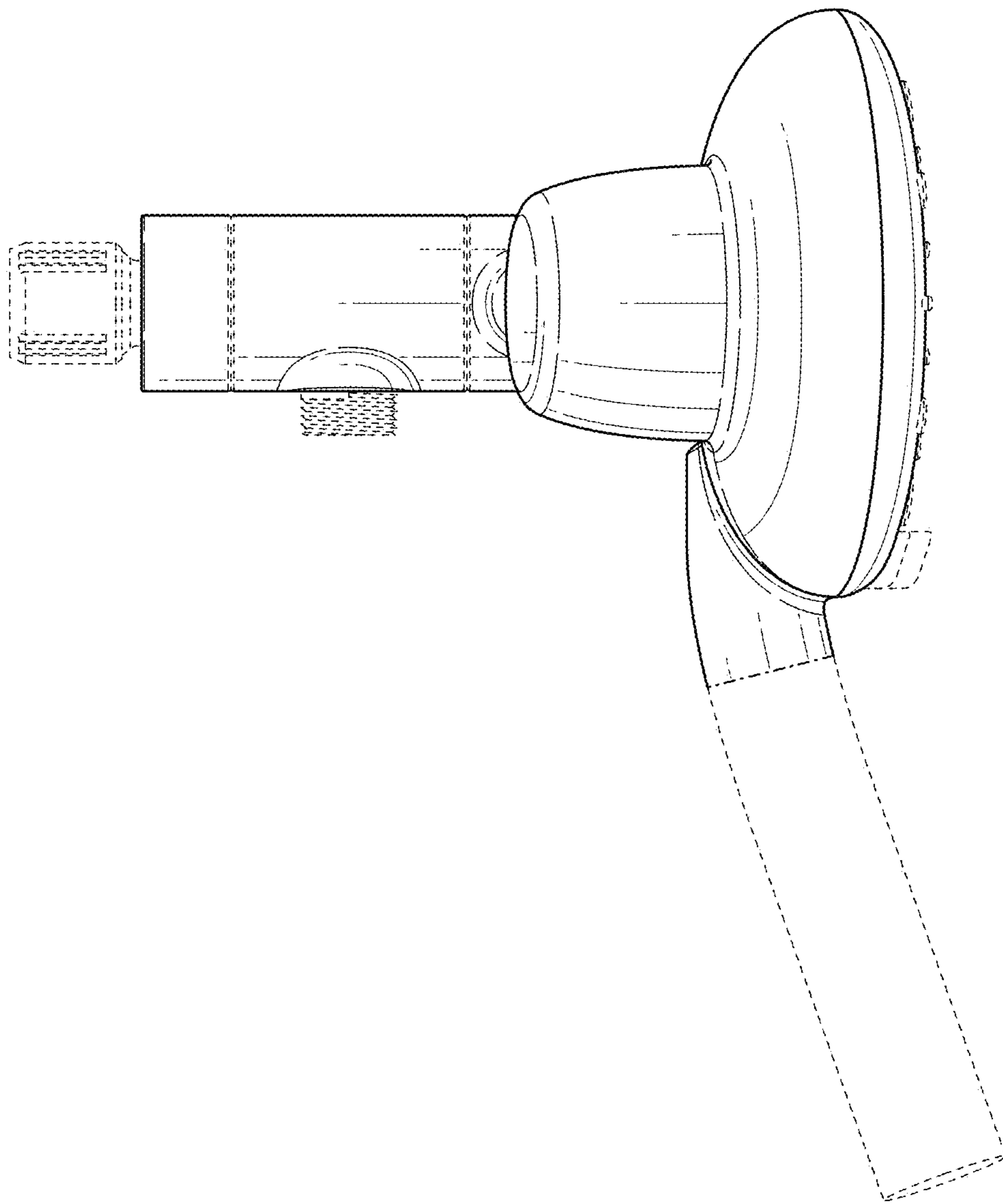


FIG. 4

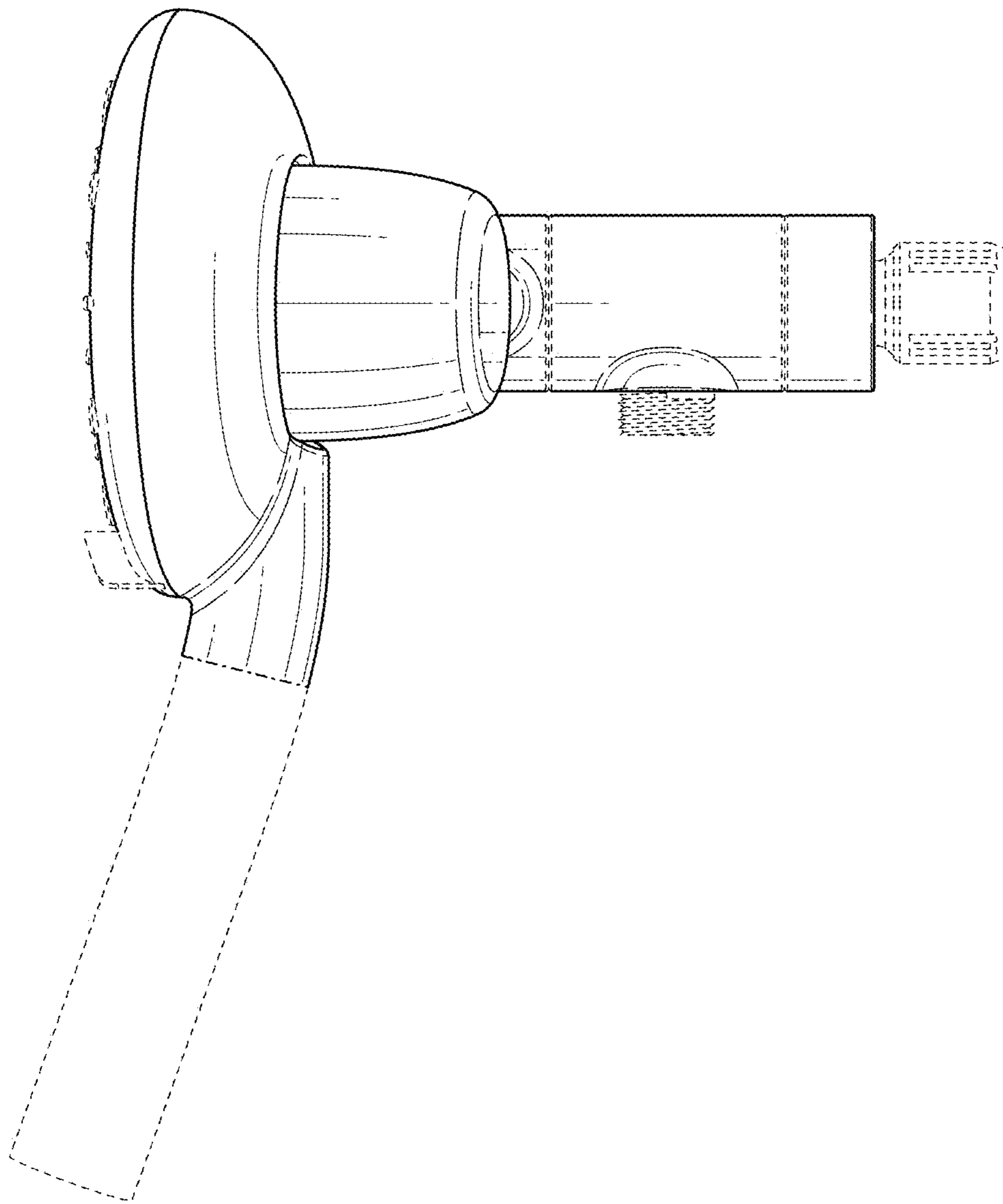


FIG. 5

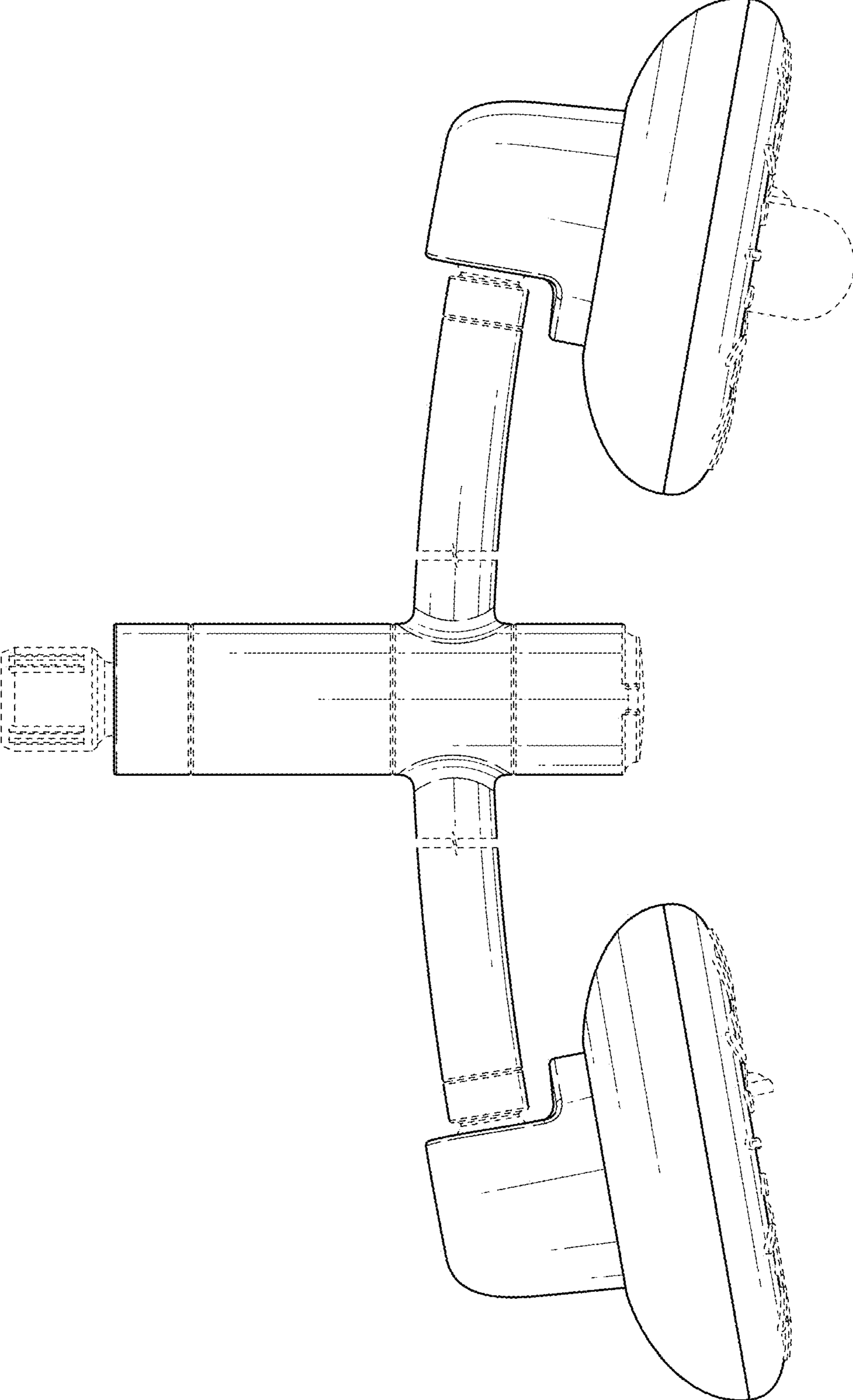


FIG. 6

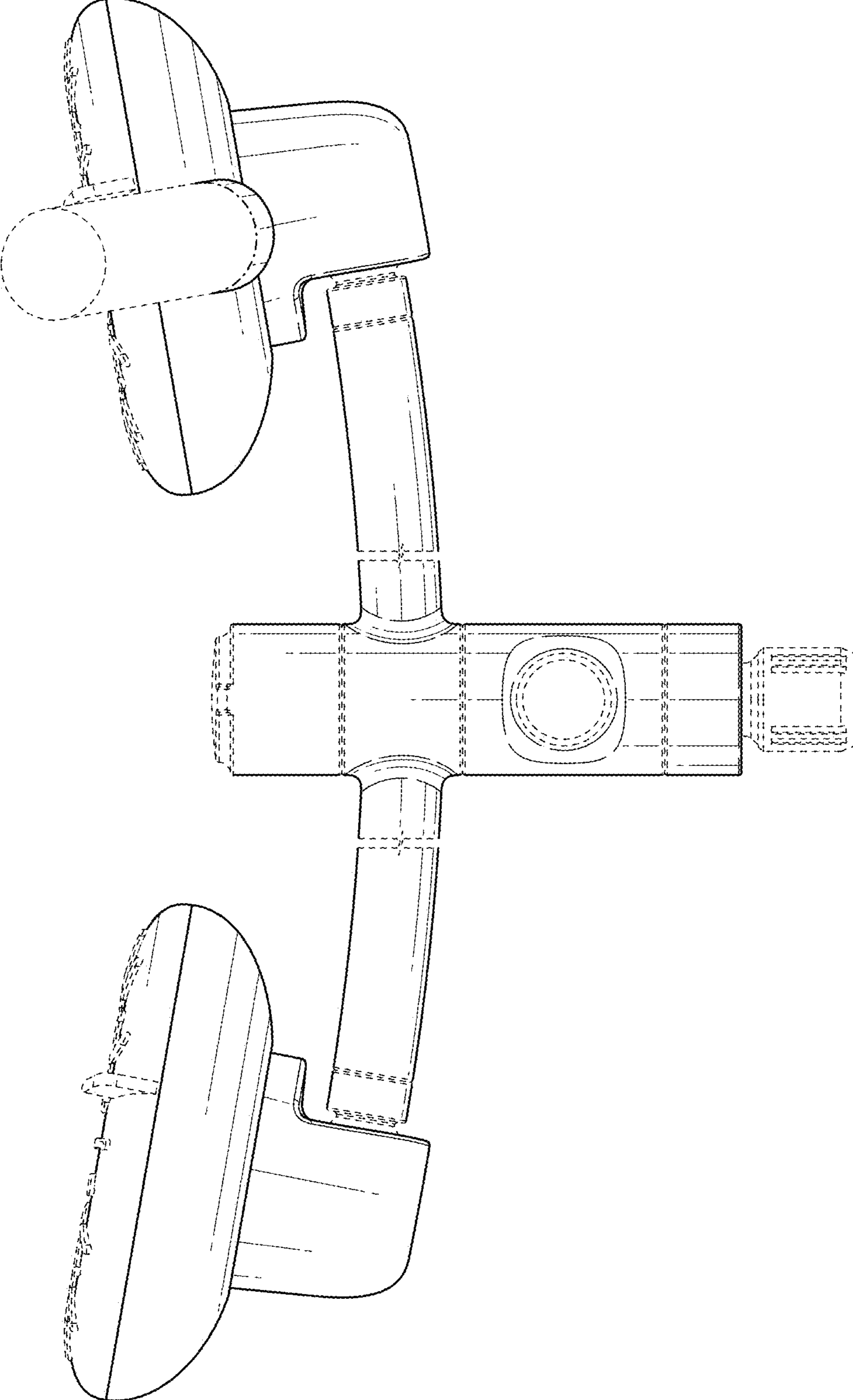


FIG. 7