



US00D977067S

(12) **United States Design Patent**
Yan

(10) **Patent No.:** **US D977,067 S**

(45) **Date of Patent:** **** Jan. 31, 2023**

(54) **SHOWER HEAD**

(71) Applicant: **XIAMEN GALENPOO
KITCHEN&BATHROOM
TECHNOLOGY CO., LTD**, Xiamen
(CN)

(72) Inventor: **Xiaoling Yan**, Xiamen (CN)

(**) Term: **15 Years**

(21) Appl. No.: **29/858,736**

(22) Filed: **Nov. 3, 2022**

(51) **LOC (14) Cl.** **23-01**

(52) **U.S. Cl.**
USPC **D23/223**

(58) **Field of Classification Search**
USPC D23/213, 214, 215, 223, 224, 226, 229,
D23/230

CPC A61H 9/0021; A61H 33/00; B05B 1/00;
B05B 1/14; B05B 1/185; B05B 1/08;
B05B 1/02; B05B 1/26; B05B 12/002;
B05B 1/18; B05B 9/01

See application file for complete search history.

(56) **References Cited**

U.S. PATENT DOCUMENTS

D575,372 S *	8/2008	Mullenmeister	D23/223
D617,873 S *	6/2010	Lee	D23/229
D617,874 S *	6/2010	Lee	D23/229
D631,133 S *	1/2011	Yoo	D23/223
D634,810 S *	3/2011	Yoo	D23/213
D667,531 S *	9/2012	Romero	D23/223
D667,928 S *	9/2012	Cutler	D23/223
D670,358 S *	11/2012	Bai	D23/223
D672,011 S *	12/2012	Andrew	D23/223
D672,433 S *	12/2012	Yoo	D23/223
D681,776 S *	5/2013	Cutler	D23/223

D900,963 S *	11/2020	Wu	D23/223
D901,630 S *	11/2020	Wu	D23/213
D907,743 S *	1/2021	Wu	D23/213
D919,747 S *	5/2021	Lin	D23/223
D930,790 S *	9/2021	Yan	D23/223
D931,411 S *	9/2021	Yan	D23/213
D935,556 S *	11/2021	Yan	D23/213
D935,559 S *	11/2021	He	D23/226
D936,178 S *	11/2021	Lin	D23/213
D962,389 S	8/2022	Yu et al.		

OTHER PUBLICATIONS

Shower Head, SR Sun Rise 6-Settings 4.8" High Pressure Hand-held, Jan. 13, 2017, amazon.ca, Jul. 15, 2022, URL: <https://www.amazon.ca/SR-SUN-RISE-6-Settings-Pressure/dp/B07FKHCGK1/> (Year: 2017).*

(Continued)

Primary Examiner — Keith J Wilson

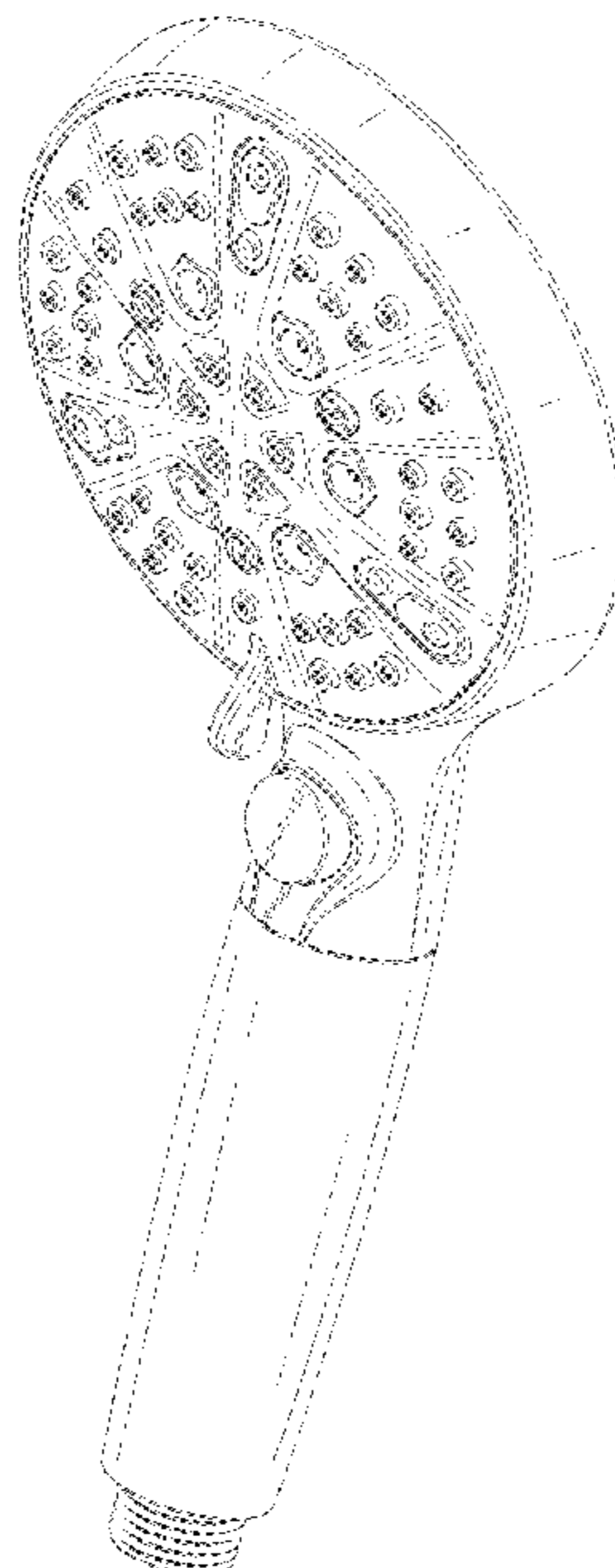
(57) **CLAIM**

The ornamental design for a shower head, as shown and described.

DESCRIPTION

FIG. 1 is a front perspective view of a shower head, showing my new design;
FIG. 2 is a rear perspective view thereof;
FIG. 3 is a front view thereof;
FIG. 4 is a rear view thereof;
FIG. 5 is a left side view thereof;
FIG. 6 is a right side view thereof;
FIG. 7 is a top view thereof; and,
FIG. 8 is a bottom view thereof.
The broken lines in the drawings illustrate the portions of the shower head, which form no part of the claimed design.

1 Claim, 8 Drawing Sheets



(56)

References Cited

OTHER PUBLICATIONS

AquaSpa High Pressure 6-setting Luxury Handheld Shower, Sep. 17, 2019, amazon.ca, Jul. 15, 2022, URL: https://www.amazon.ca/dp/B07XSBWCFJ/ref=sbl_dpx_ca-home-improvement-bathroom-handheld-showerheads_B088R3D455_0 (Year: 2019).*

QLFJ-FurDec 7 Settings Shower Head, Nov. 2, 2021, amazon.ca, Jul. 15, 2022, URL: <https://www.amazon.ca/QLFJ-FurDec-Settings-Pressure-Handheld-Showerhead/dp/B09KTX5Z6V/> (Year: 2021).*

Shower Head, 6-Settings Handheld Shower Head, Jul. 16, 2021, amazon.ca, Jul. 19, 2022, URL: <https://www.amazon.ca/6-Settings-Detachable-Adjustable-Showerheads-Accessories/dp/B099N7H4QQ/> (Year: 2021).*

Apaix Handheld Shower Head, May 31, 2021, amazon.ca, Jul. 20, 2022, URL: <https://www.amazon.ca/dp/B093QFMQ7H/> (Year: 2021).*

Janvier High Pressure Shower Head Set, Nov. 17, 2021, amazon.ca, Jul. 22, 2022, URL: https://www.amazon.ca/dp/B09FLQ29CJ/ref=sbl_dpx_ca-home-improvement-bathroom-handheld-showerheads_B09PV52VM7_0 (Year: 2021).*

Waterpik High Pressure Shower Head Handheld Spray, Aug. 14, 2018, amazon.ca, Aug. 3, 2022, URL: <https://www.amazon.ca/Waterpik-XET-633-643-Pressure-PowerPulse-Combination/dp/B07GBN8NCK/> (Year: 2018).*

Egrets High Pressure Handheld Shower Head, Jun. 17, 2022, amazon.ca, Dec. 1, 2022, URL: <https://www.amazon.ca/Pressure-10-Setting-Showerhead-Detachable-Adjustable/dp/B09YRBL54Y/> (Year: 2022).*

* cited by examiner

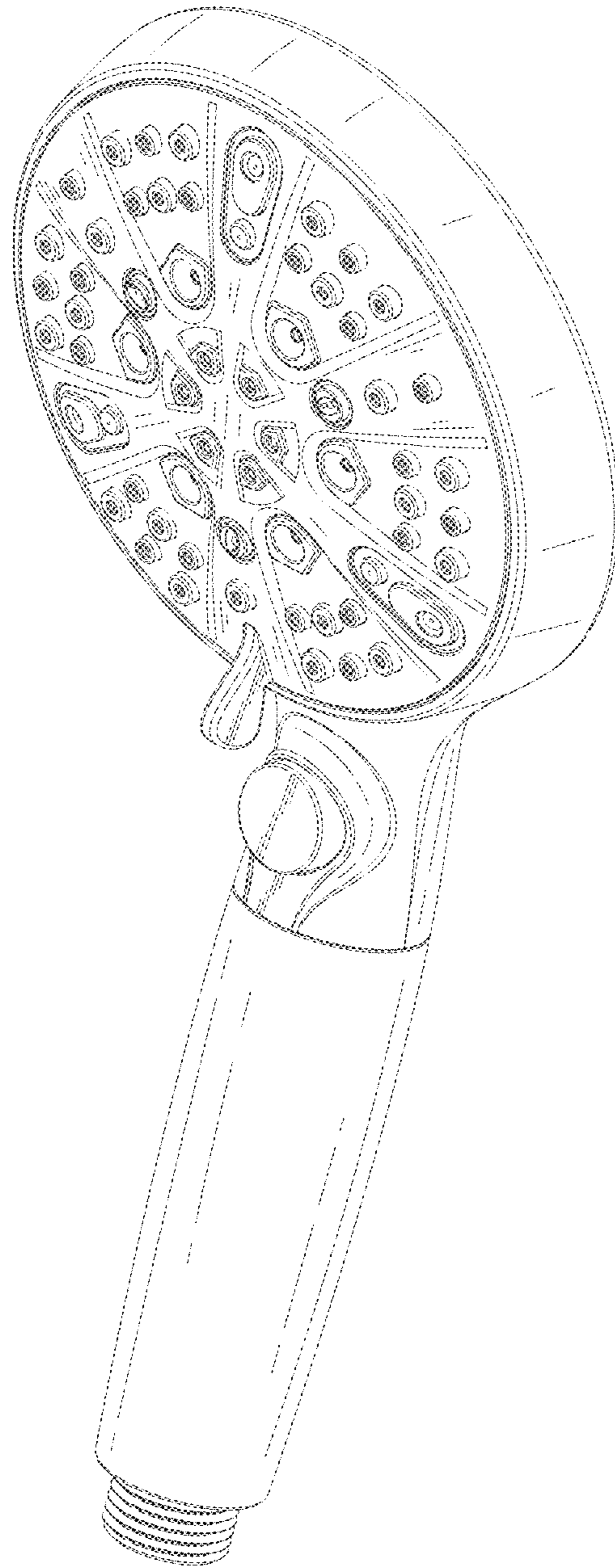


FIG. 1

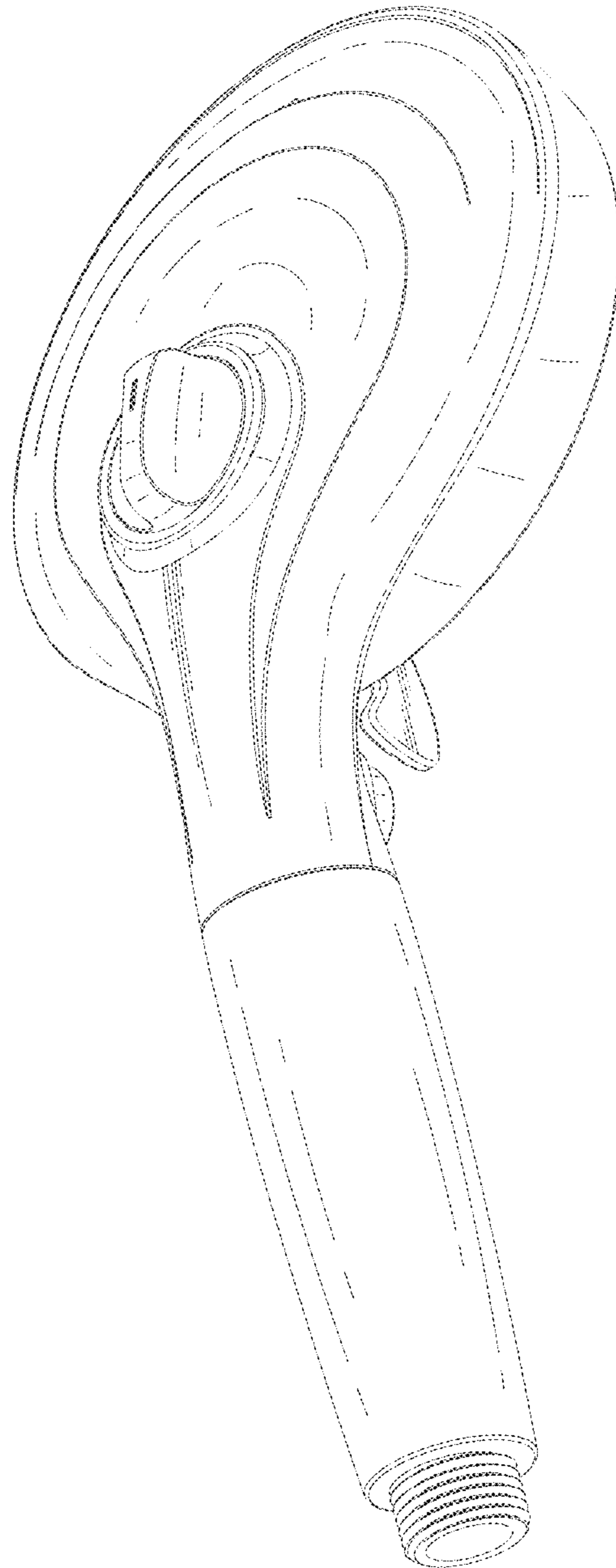


FIG. 2

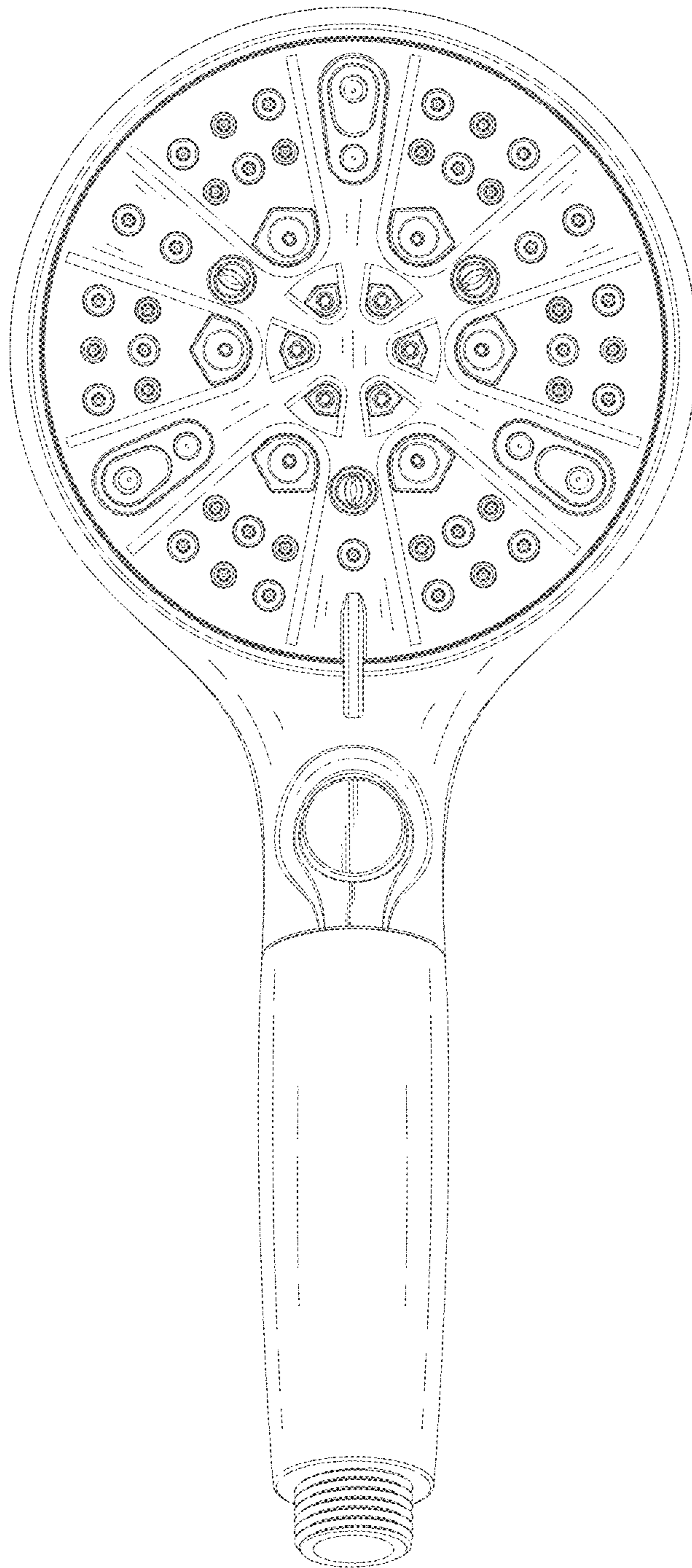


FIG. 3

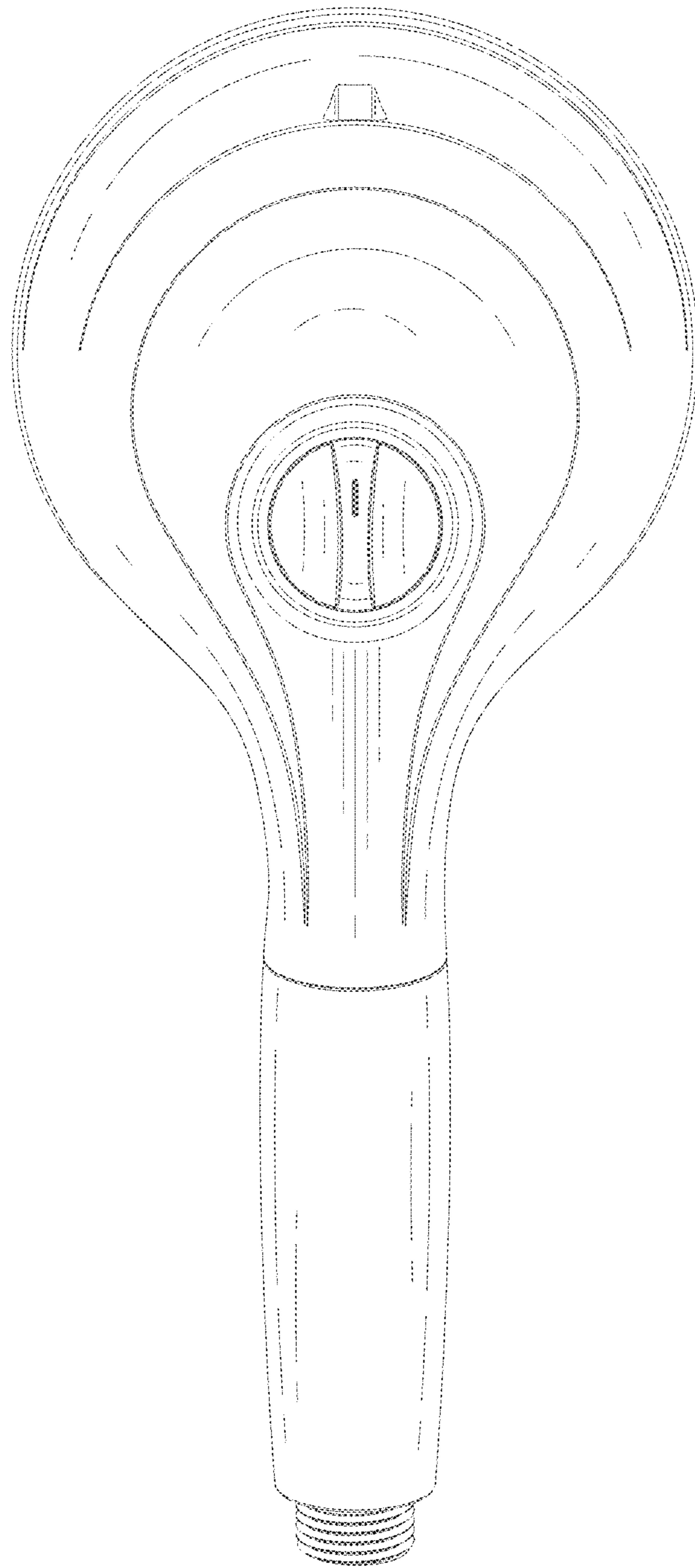


FIG. 4

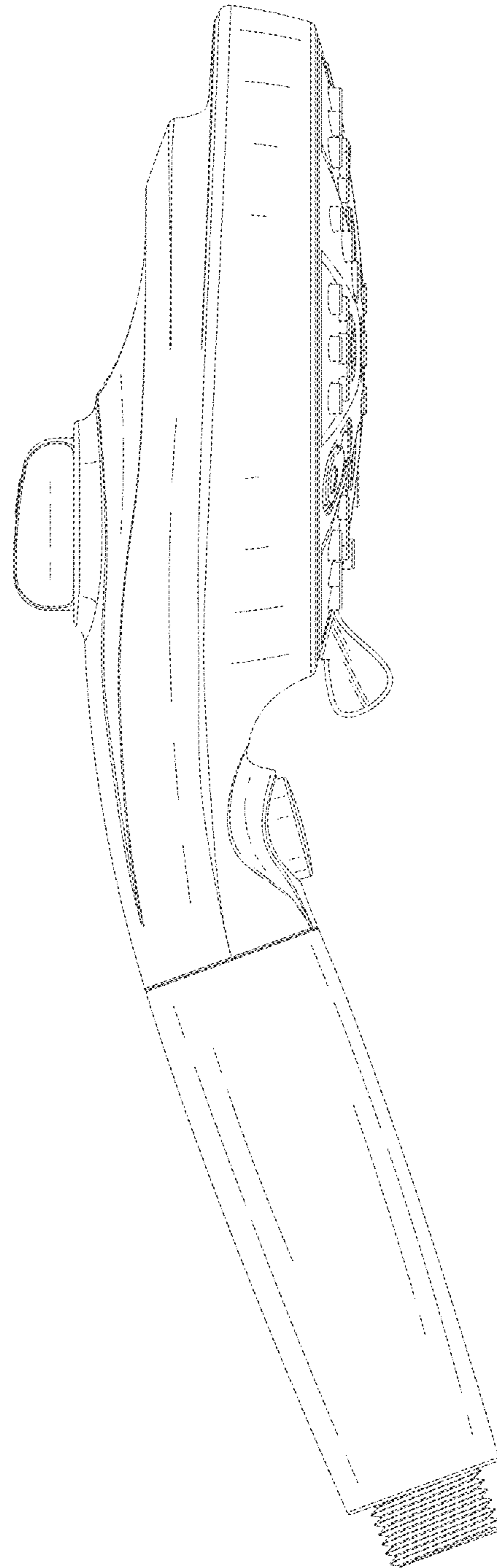


FIG. 5

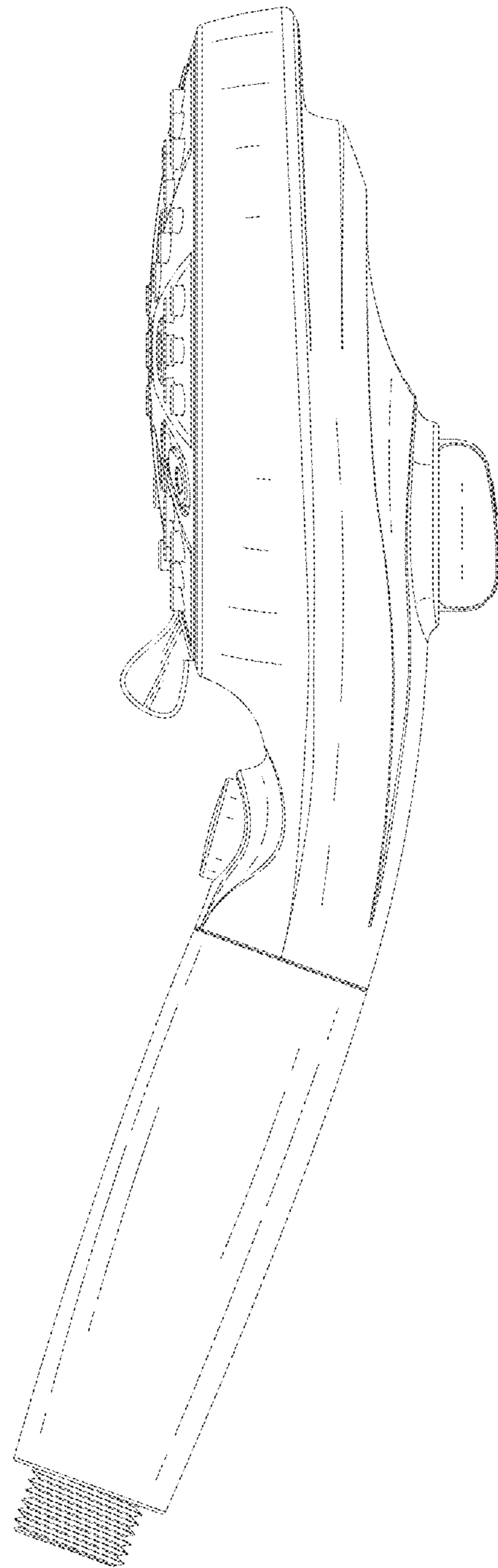


FIG. 6

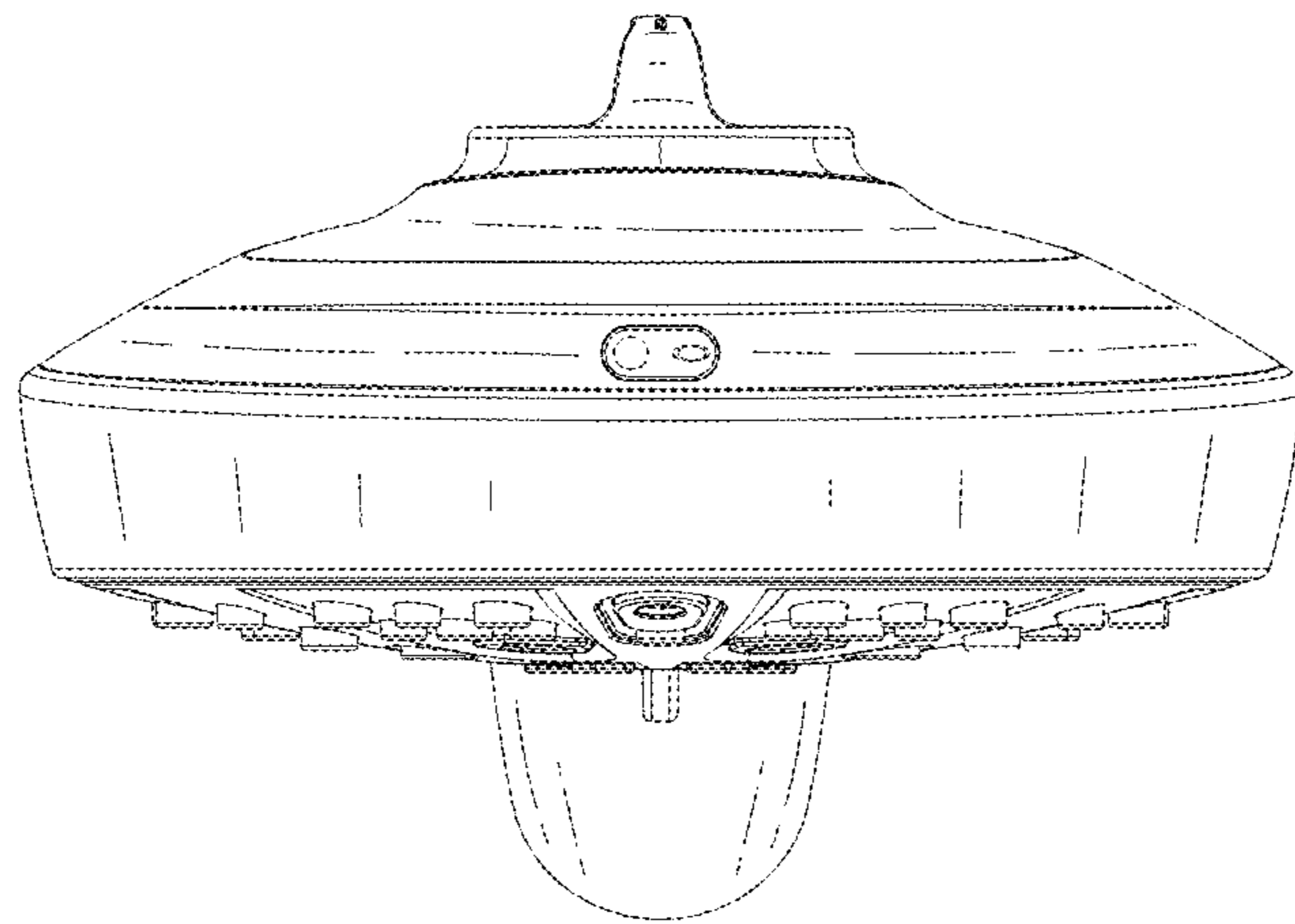


FIG. 7

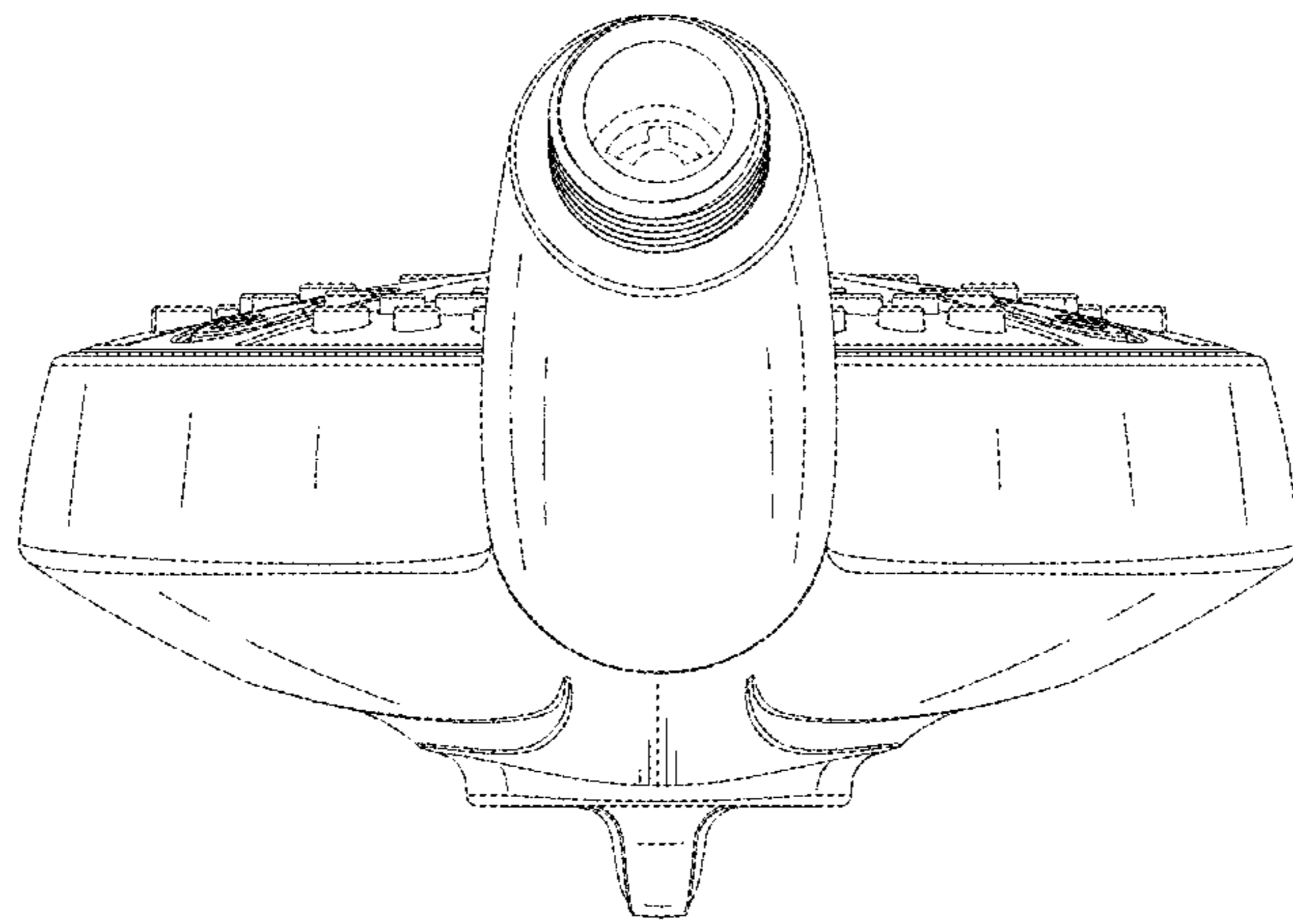


FIG. 8