



US00D977066S

(12) **United States Design Patent** (10) **Patent No.:** **US D977,066 S**
Yan (45) **Date of Patent:** **** Jan. 31, 2023**

(54) **SHOWER HEAD**
(71) Applicant: **XIAMEN GALENPOO KITCHEN & BATHROOM TECHNOLOGY CO., LTD**, Xiamen (CN)
(72) Inventor: **Xiaoling Yan**, Xiamen (CN)
(**) Term: **15 Years**
(21) Appl. No.: **29/858,616**
(22) Filed: **Nov. 2, 2022**
(51) **LOC (14) Cl.** **23-01**
(52) **U.S. Cl.**
USPC **D23/223**
(58) **Field of Classification Search**
USPC D23/213, 214, 215, 223, 224, 226, 229, D23/230
CPC A61H 9/0021; A61H 33/00; B05B 1/00; B05B 1/14; B05B 1/185; B05B 1/08; B05B 1/02; B05B 1/26; B05B 12/002; B05B 1/18; B05B 9/01
See application file for complete search history.

D919,747 S * 5/2021 Lin D23/223
D930,790 S * 9/2021 Yan D23/223
D931,411 S * 9/2021 Yan D23/213
D935,556 S * 11/2021 Yan D23/213
D935,559 S * 11/2021 He D23/226
D936,178 S * 11/2021 Lin D23/213
D965,742 S 10/2022 Yan

OTHER PUBLICATIONS

Shower Head, SR Sun Rise 6-Settings 4.8" High Pressure Handheld, Jan. 13, 2017, amazon.ca, Jul. 15, 2022, URL: <https://www.amazon.ca/SR-SUN-RISE-6-Settings-Pressure/dp/B07FKHCGK1/> (Year: 2017).*
AquaSpa High Pressure 6-setting Luxury Handheld Shower, Sep. 17, 2019, amazon.ca, Jul. 15, 2022, URL: https://www.amazon.ca/dp/B07XSBWCFJ/ref=sbl_dpx_ca-home-improvement-bathroom-handheld-showerheads_B088R3D455_0 (Year: 2019).*

(Continued)

Primary Examiner — Keith J Wilson

(57) **CLAIM**

The ornamental design for a shower head, as shown and described.

DESCRIPTION

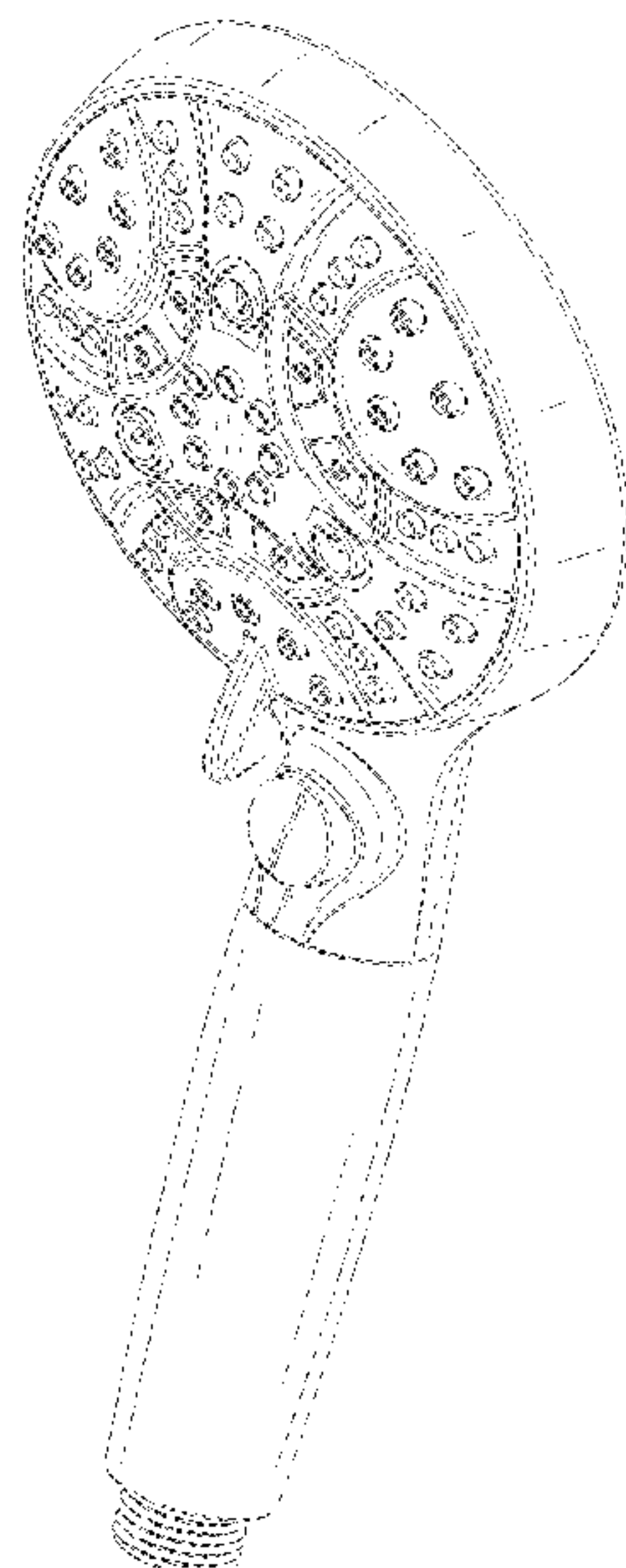
FIG. 1 is a front perspective view of a shower head, showing my new design;
FIG. 2 is a rear perspective view;
FIG. 3 is a front view thereof;
FIG. 4 is a rear view thereof;
FIG. 5 is a left side view thereof;
FIG. 6 is a right side view thereof;
FIG. 7 is a top view thereof; and,
FIG. 8 is a bottom view thereof.
The broken lines in the drawings illustrate the portions of the shower head, which form no part of the claimed design.

1 Claim, 8 Drawing Sheets

(56) **References Cited**

U.S. PATENT DOCUMENTS

D575,372 S * 8/2008 Mullenmeister D23/223
D617,873 S * 6/2010 Lee D23/229
D617,874 S * 6/2010 Lee D23/229
D631,133 S * 1/2011 Yoo D23/223
D634,810 S * 3/2011 Yoo D23/213
D667,531 S * 9/2012 Romero D23/223
D667,928 S * 9/2012 Cutler D23/223
D670,358 S * 11/2012 Bai D23/223
D672,011 S * 12/2012 Andrew D23/223
D672,433 S * 12/2012 Yoo D23/223
D681,776 S * 5/2013 Cutler D23/223
D900,963 S * 11/2020 Wu D23/223
D901,630 S * 11/2020 Wu D23/213
D907,743 S * 1/2021 Wu D23/213



(56)

References Cited

OTHER PUBLICATIONS

QLFJ-FurDec 7 Settings Shower Head, Nov. 2, 2021, amazon.ca, Jul. 15, 2022, URL: <https://www.amazon.ca/QLFJ-FurDec-Settings-Pressure-Handheld-Showerhead/dp/B09KTX5Z6V/> (Year: 2021).*

Shower Head, 6-Settings Handheld Shower Head, Jul. 16, 2021, amazon.ca, Jul. 19, 2022, URL: <https://www.amazon.ca/6-Settings-Detachable-Adjustable-Showerheads-Accessories/dp/B099N7H4QQ/> (Year: 2021).*

Apaix Handheld Shower Head, May 31, 2021, amazon.ca, Jul. 20, 2022, URL: <https://www.amazon.ca/dp/B093QFMQ7H/> (Year: 2021).*

Janvier High Pressure Shower Head Set, Nov. 17, 2021, amazon.ca, Jul. 22, 2022, URL: https://www.amazon.ca/dp/B09FLQ29CJ/ref=sbl_dpx_ca-home-improvement-bathroom-handheld-showerheads_B09PV52VM7_0 (Year: 2021).*

Waterpik High Pressure Shower Head Handheld Spray, Aug. 14, 2018, amazon.ca, Aug. 3, 2022, URL: <https://www.amazon.ca/Waterpik-XET-633-643-Pressure-PowerPulse-Combination/dp/B07GBN8NCK/> (Year: 2018).*

Egrets High Pressure Handheld Shower Head, Jun. 17, 2022, amazon.ca, Dec. 1, 2022, URL: <https://www.amazon.ca/Pressure-10-Setting-Showerhead-Detachable-Adjustable/dp/B09YRBL54Y/> (Year: 2022).*

* cited by examiner

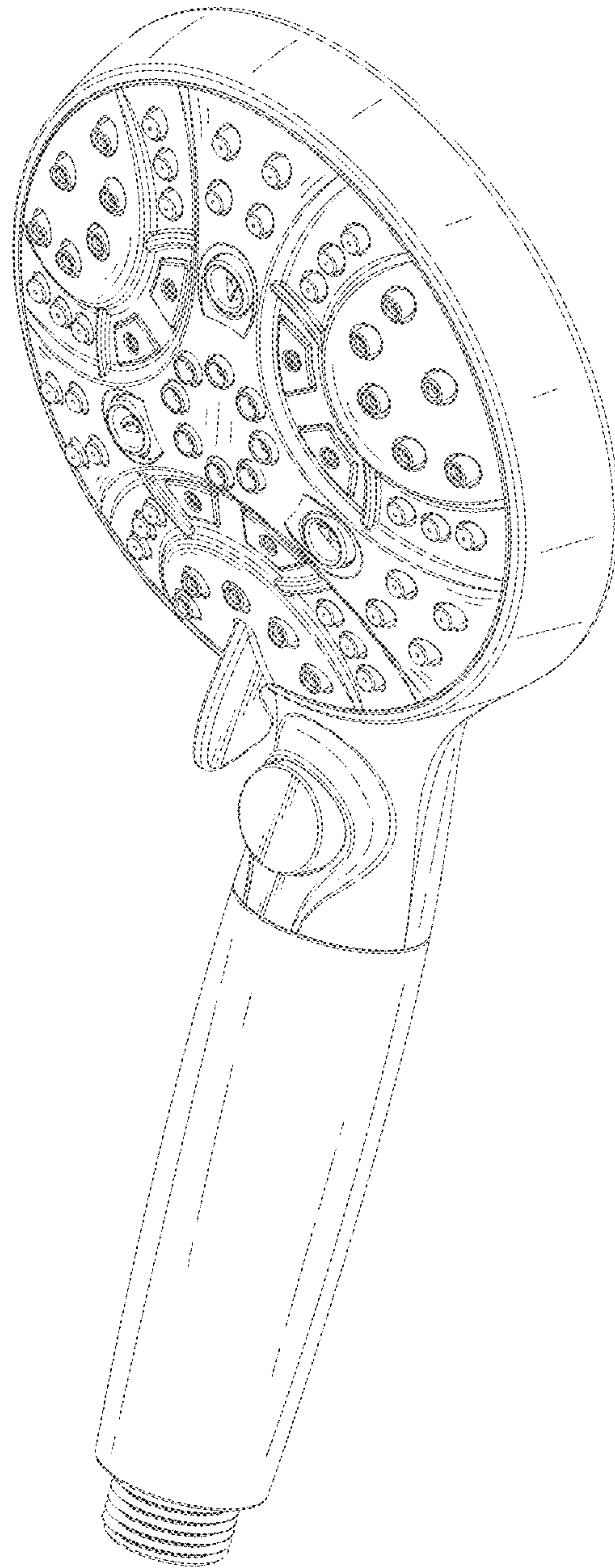


FIG. 1

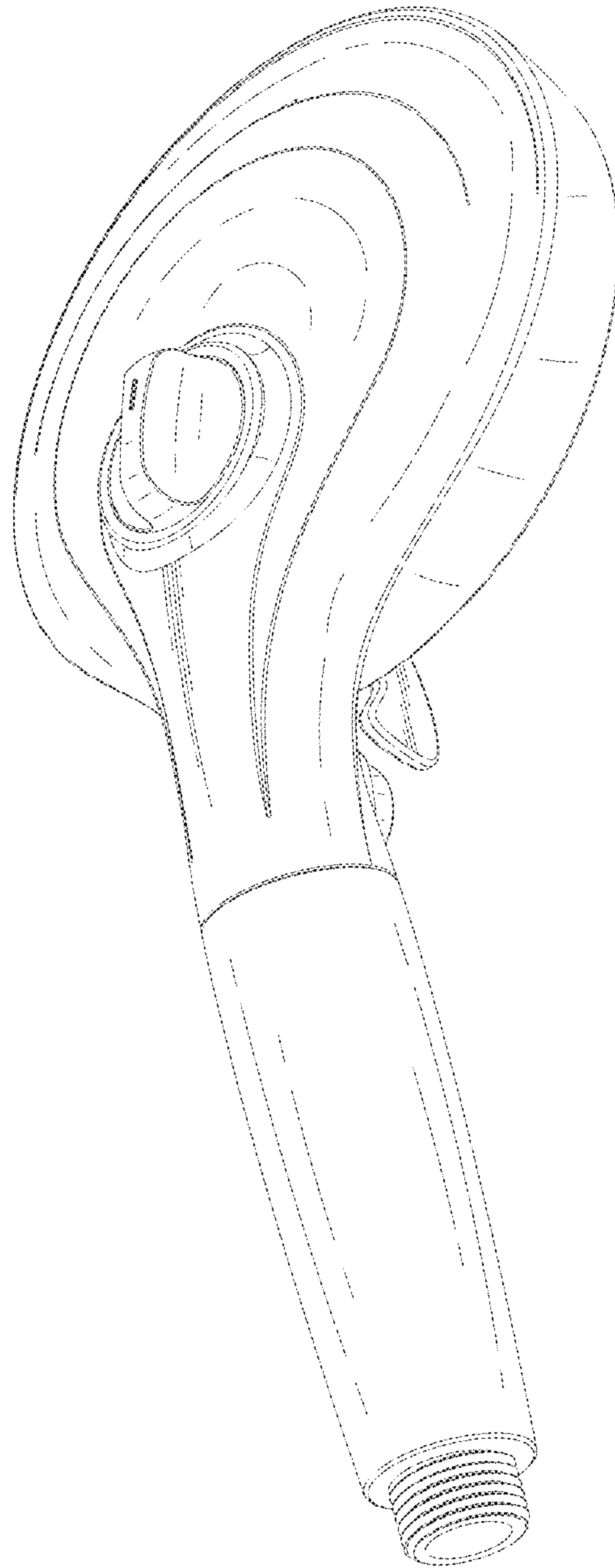


FIG. 2

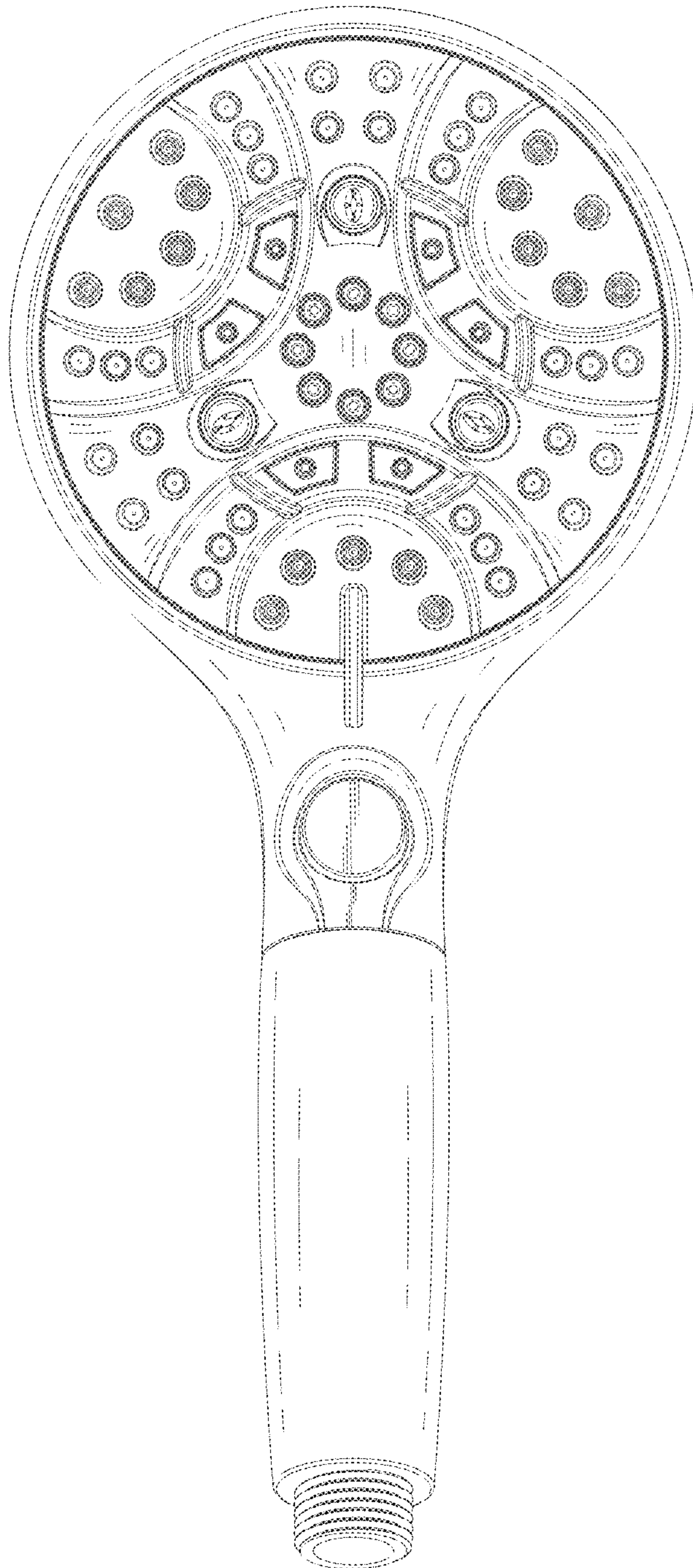


FIG. 3

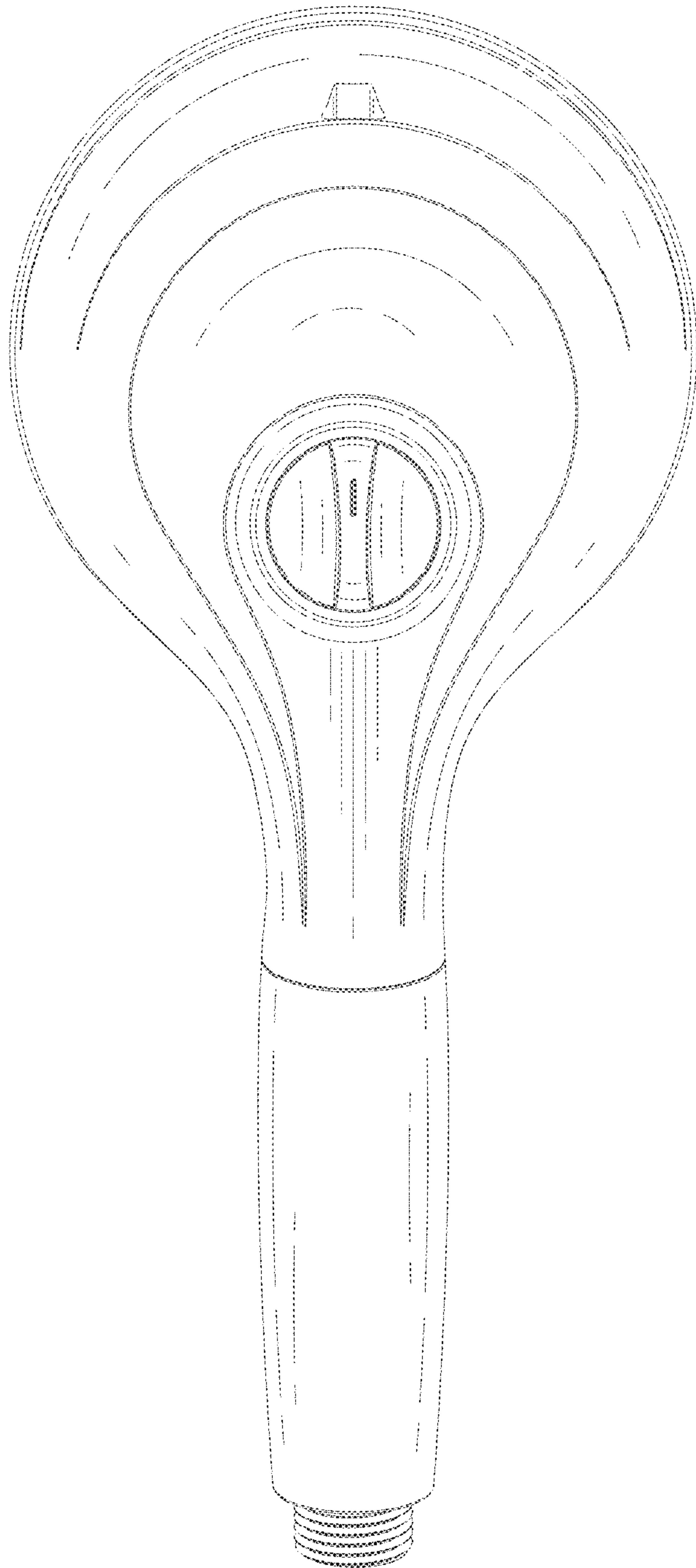


FIG. 4

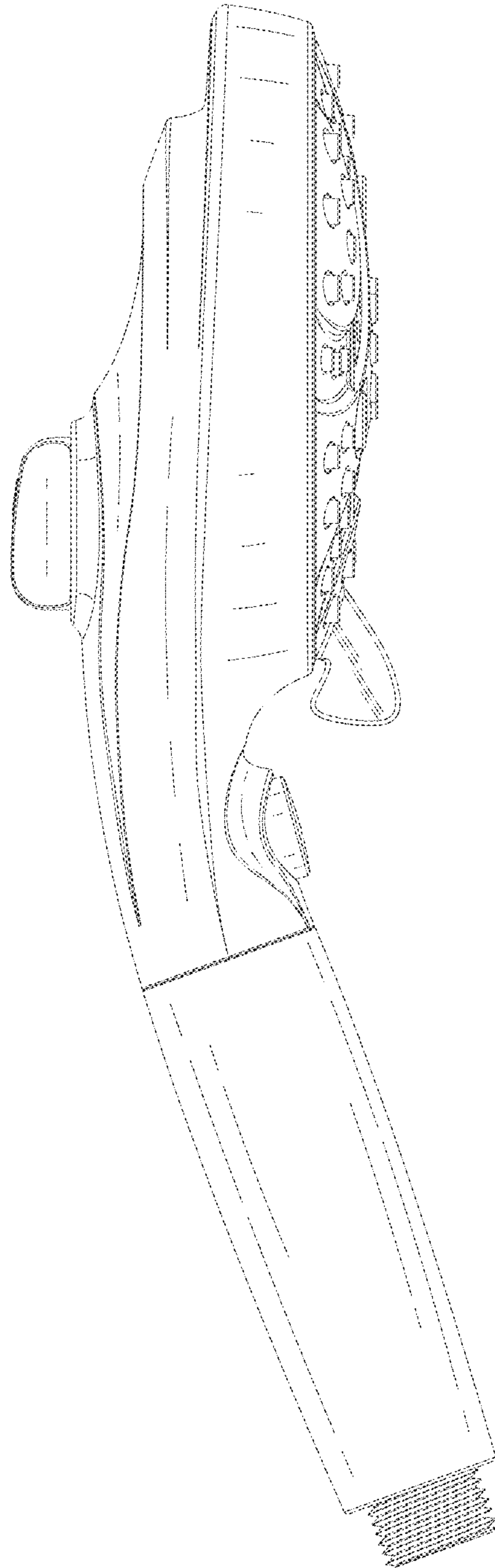


FIG. 5

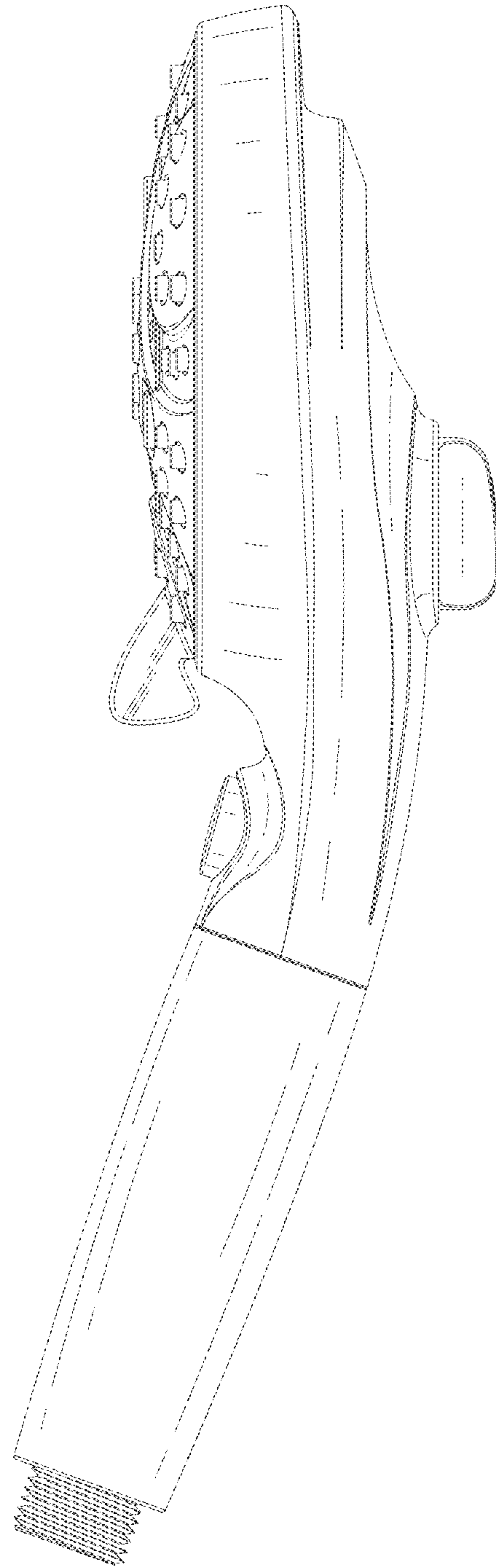


FIG. 6

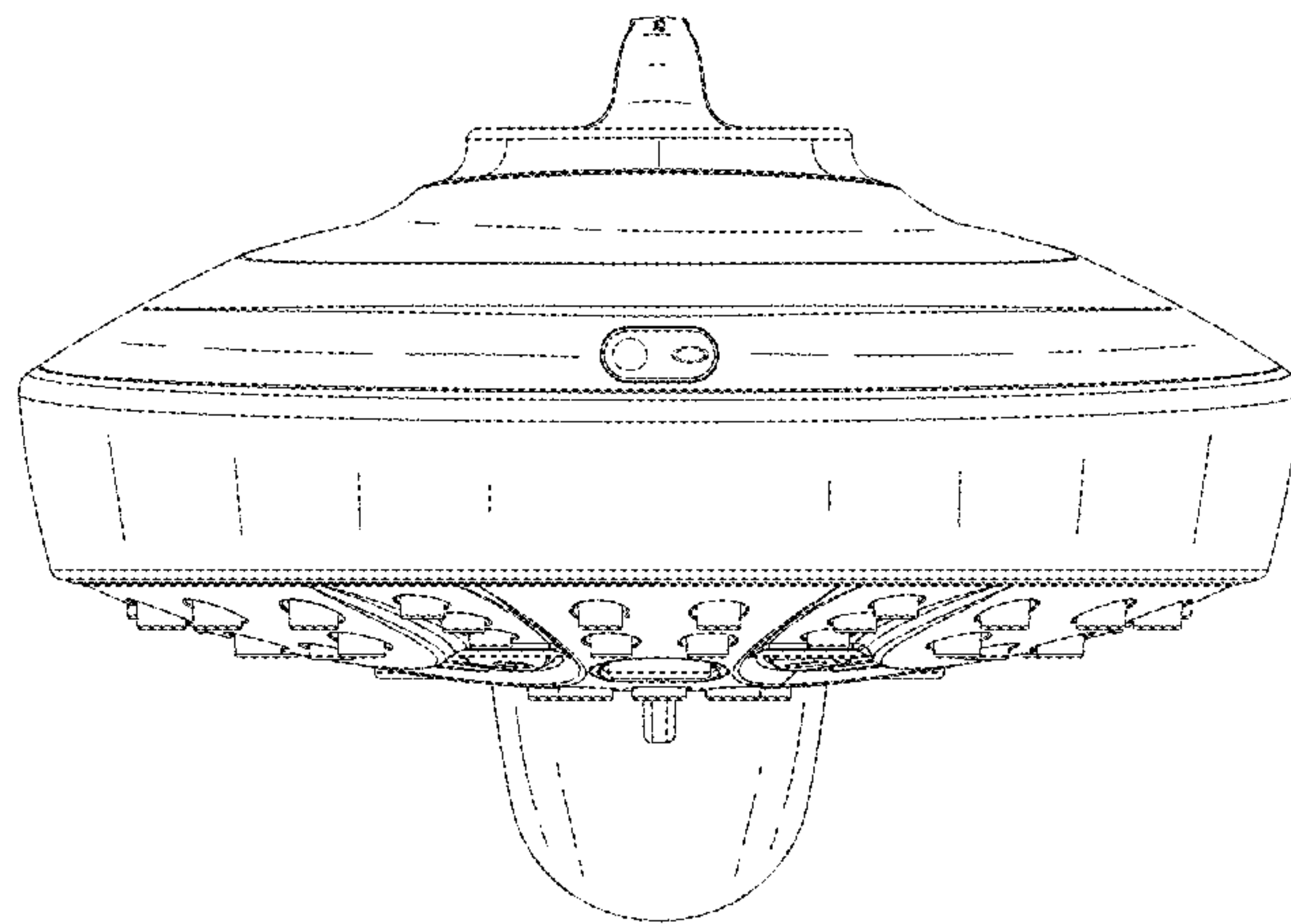


FIG. 7

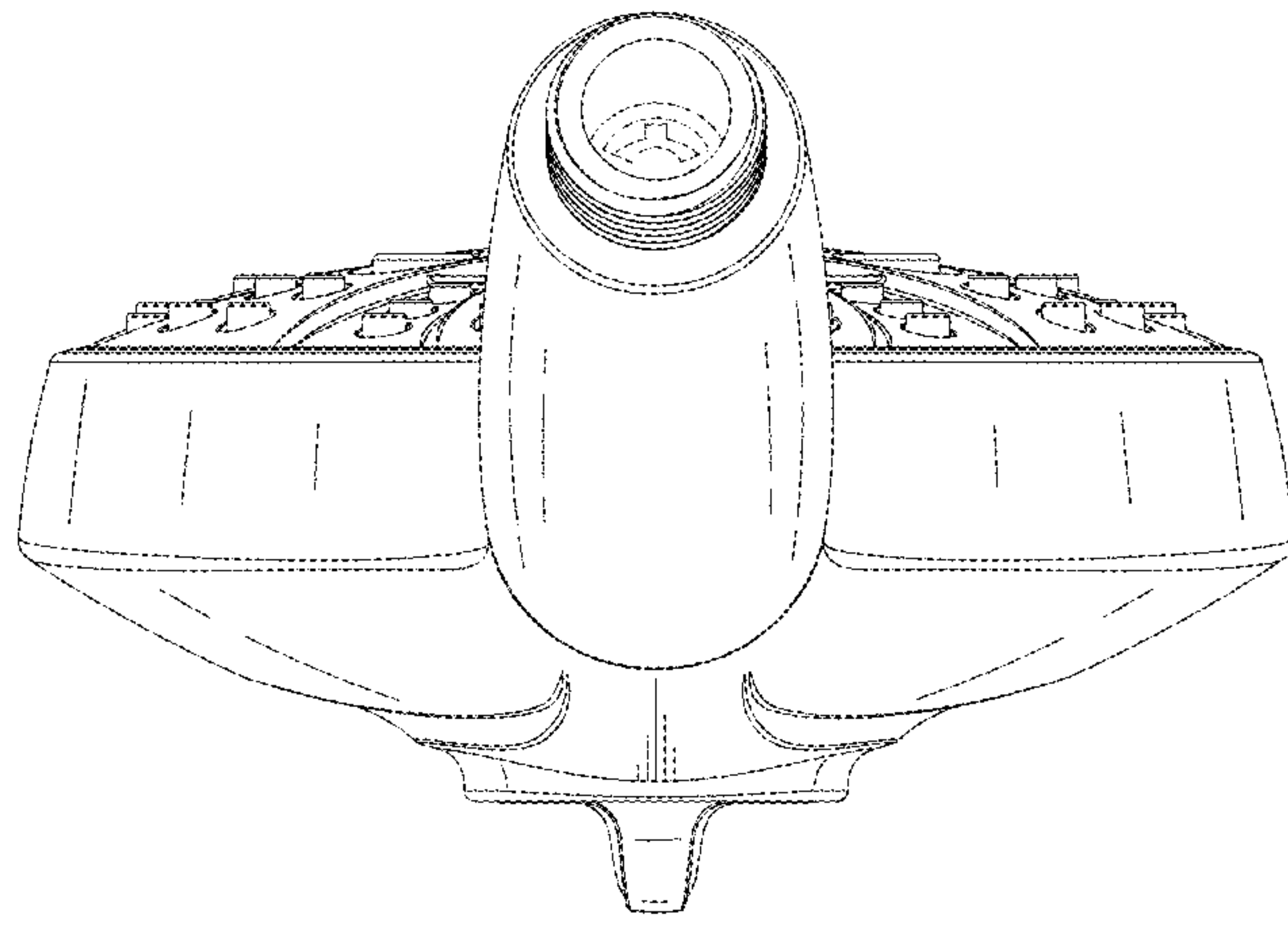


FIG. 8