



US00D977065S

(12) **United States Design Patent** (10) **Patent No.:** **US D977,065 S**
Yu et al. (45) **Date of Patent:** **** Jan. 31, 2023**

(54) **SHOWER HEAD** D528,631 S * 9/2006 Gillette D23/223
7,191,475 B1 * 3/2007 Marcotte E03C 1/0408
4/615
(71) Applicant: **Sinyu Technology (Fujian) Co., Ltd.,** D567,904 S * 4/2008 Schonherr D23/228
Fujian (CN) D591,396 S * 4/2009 Lobermeier D23/223
(72) Inventors: **Zhangjun Yu, Fujian (CN); Shaoming** D609,777 S * 2/2010 Wu D23/223
Gao, Fujian (CN); Shengda Yu, Fujian D610,231 S * 2/2010 Wu D23/223
(CN) D621,002 S * 8/2010 Yongyan D23/228
D639,391 S * 6/2011 Yongyan D23/228
D654,983 S * 2/2012 Schoenherr D23/223
(73) Assignee: **Sinyu Technology (Fujian) Co., Ltd.,**
Zhangzhou (CN) (Continued)

(**) Term: **15 Years**

(21) Appl. No.: **29/782,190**

(22) Filed: **May 5, 2021**

(51) **LOC (14) Cl.** **23-01**

(52) **U.S. Cl.**
USPC **D23/223**

(58) **Field of Classification Search**
USPC D23/213, 214, 215, 221-222, 223, 224,
D23/226, 229, 230
CPC A61H 9/0021; A61H 33/00; B05B 1/00;
B05B 1/14; B05B 1/185; B05B 1/08;
B05B 1/02; B05B 1/26; B05B 12/002;
B05B 1/18; B05B 9/01
See application file for complete search history.

(56) **References Cited**

U.S. PATENT DOCUMENTS

D328,944 S *	8/1992	Robbins	D23/213
D385,333 S *	10/1997	Caroen	D23/304
D440,630 S *	4/2001	Gottwald	D23/223
D452,897 S *	1/2002	Gillette	D23/223
D454,620 S *	3/2002	Starck	D23/283
D470,913 S *	2/2003	Petrovic	D23/228
D497,974 S *	11/2004	Haug	D23/223
D502,760 S *	3/2005	Zieger	D23/223
D503,774 S *	4/2005	Zieger	D23/223
D513,784 S *	1/2006	Tsang	D23/223
D526,384 S *	8/2006	Wu	D23/223

OTHER PUBLICATIONS

Kaiying Handheld Shower Head with Flow Control Push-Button, Jul. 14, 2020, amazon.ca, Apr. 19, 2022, URL: <https://www.amazon.ca/KAIYING-Push-Button-Removable-Showerhead-Adjustable/dp/B0894SQBN6/> (Year: 2020).*

(Continued)

Primary Examiner — Keith J Wilson

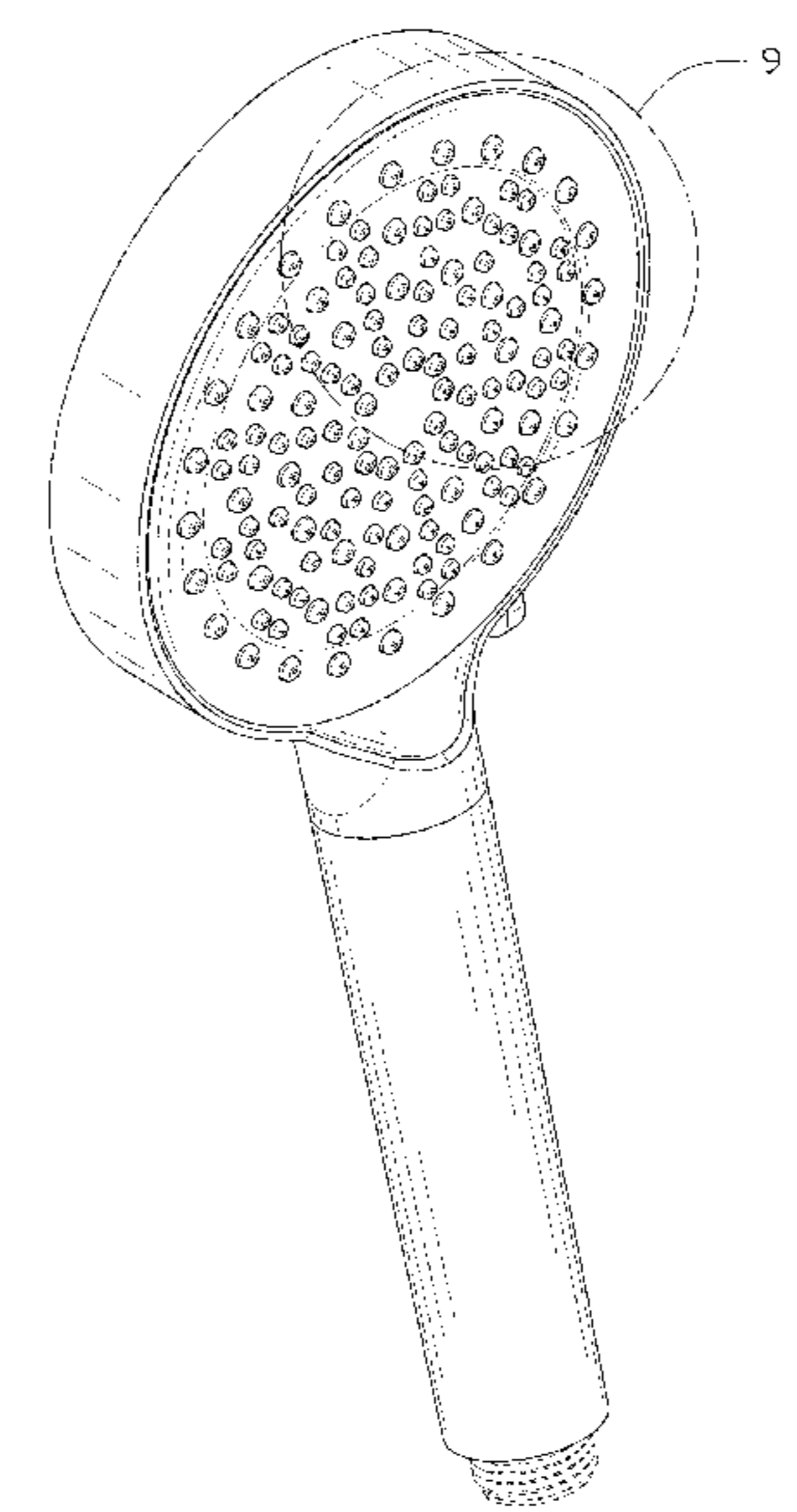
(57) **CLAIM**

The ornamental design for a shower head, as shown and described.

DESCRIPTION

FIG. 1 is a top, front and left side perspective view of a shower head showing our new design;
FIG. 2 is a bottom, rear and right side perspective view thereof;
FIG. 3 is a front elevational view thereof;
FIG. 4 is a rear elevational view thereof;
FIG. 5 is a left side view thereof;
FIG. 6 is a right side view thereof;
FIG. 7 is a top plan view thereof;
FIG. 8 is a bottom plan view thereof; and,
FIG. 9 is an enlarged view of portion 9 in FIG. 1.
The broken lines in the drawings illustrate portions of the shower head which form no part of the claimed design.

1 Claim, 9 Drawing Sheets



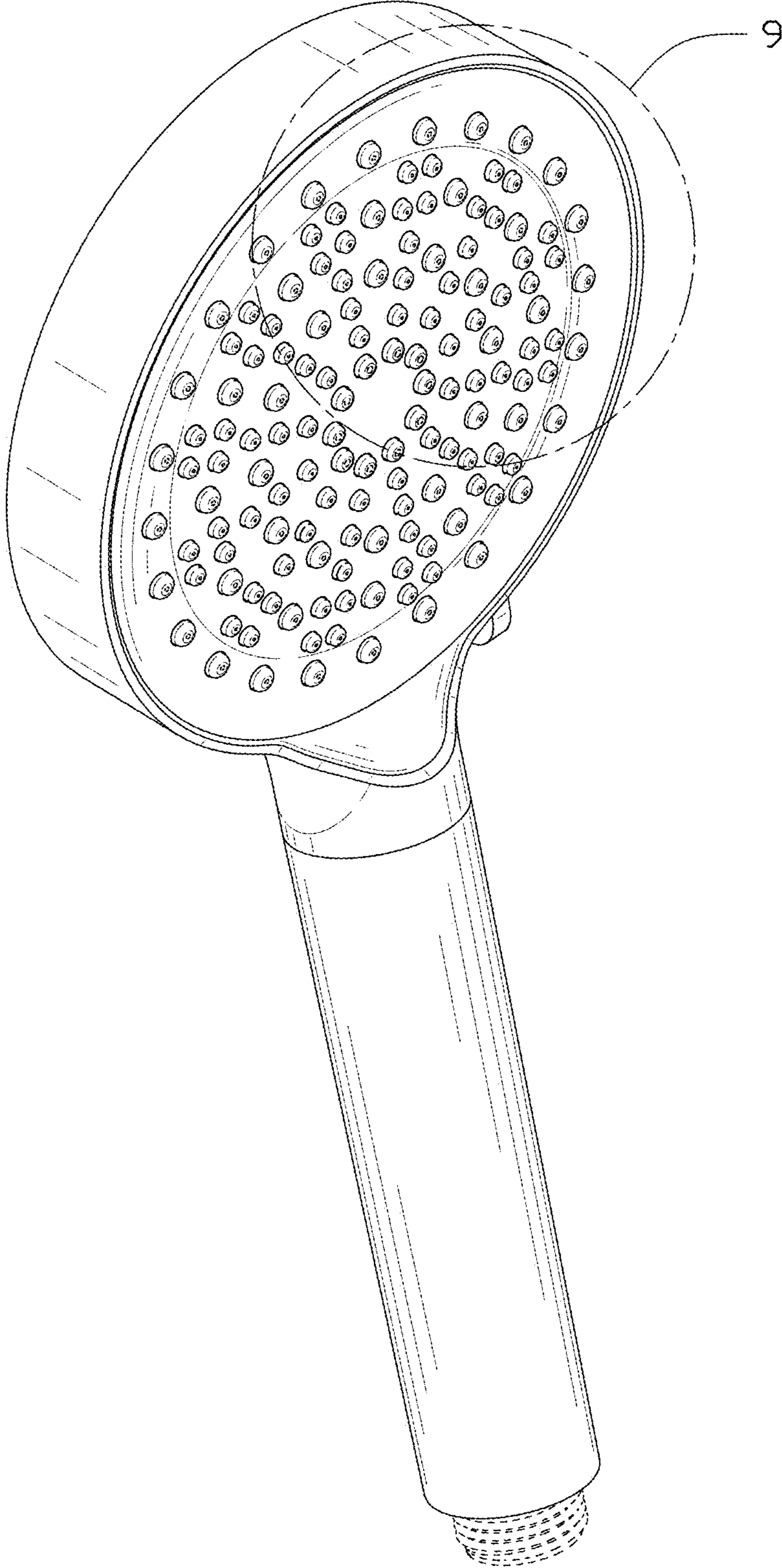


FIG. 1

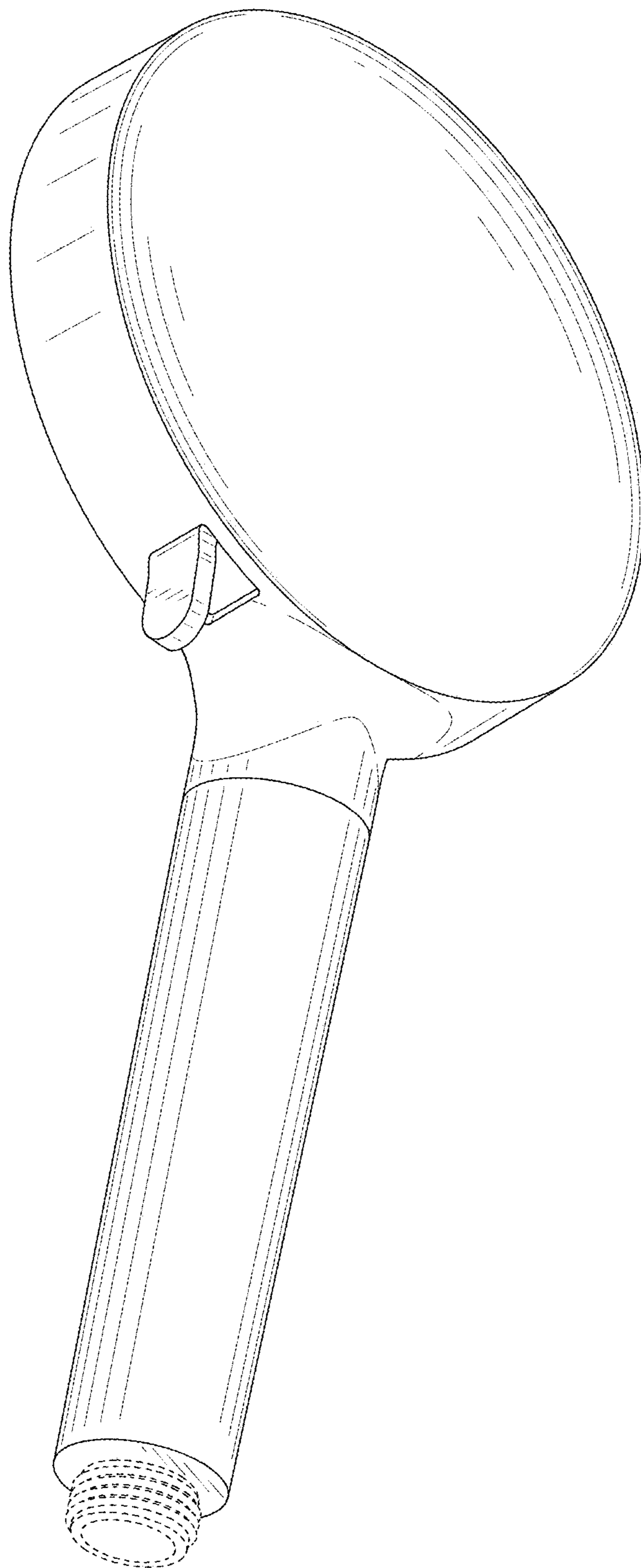


FIG. 2

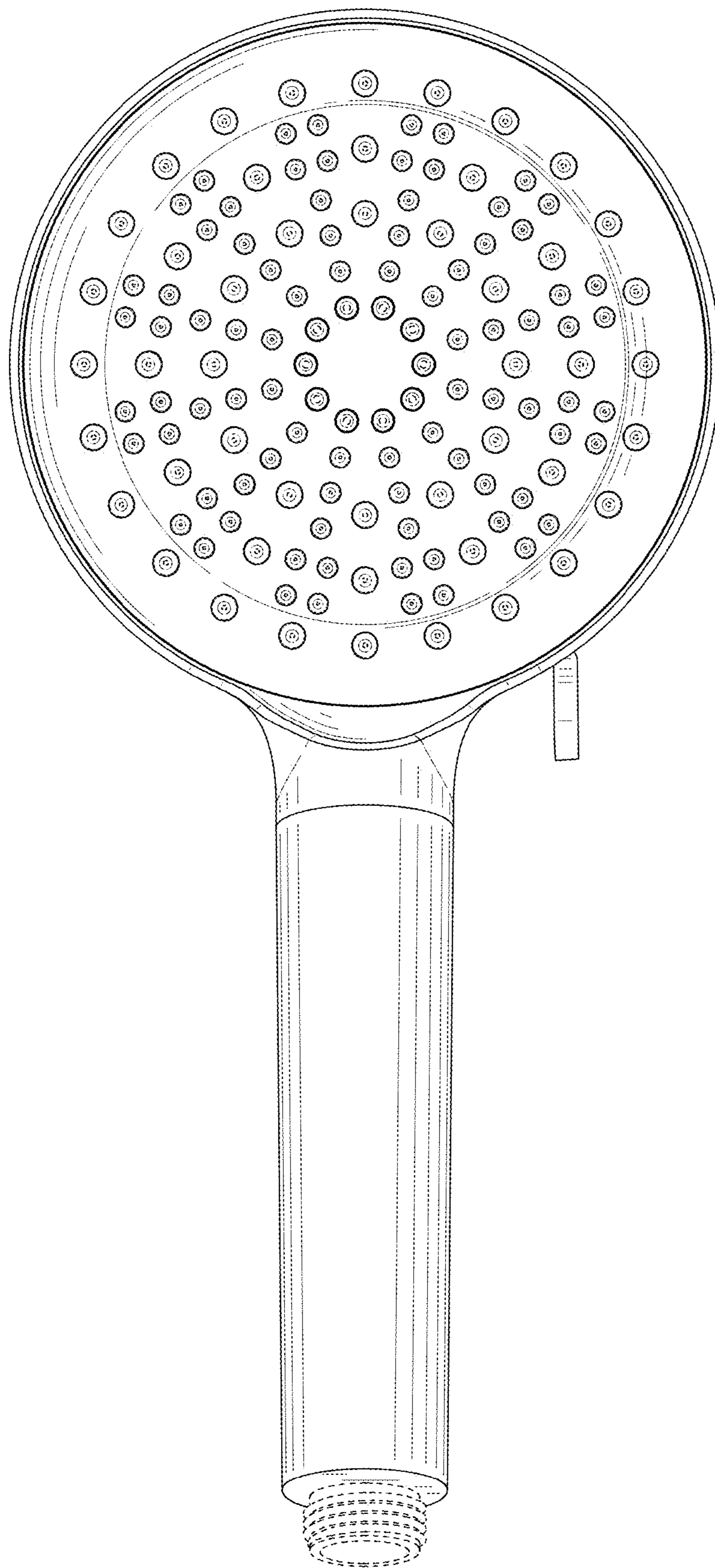


FIG. 3

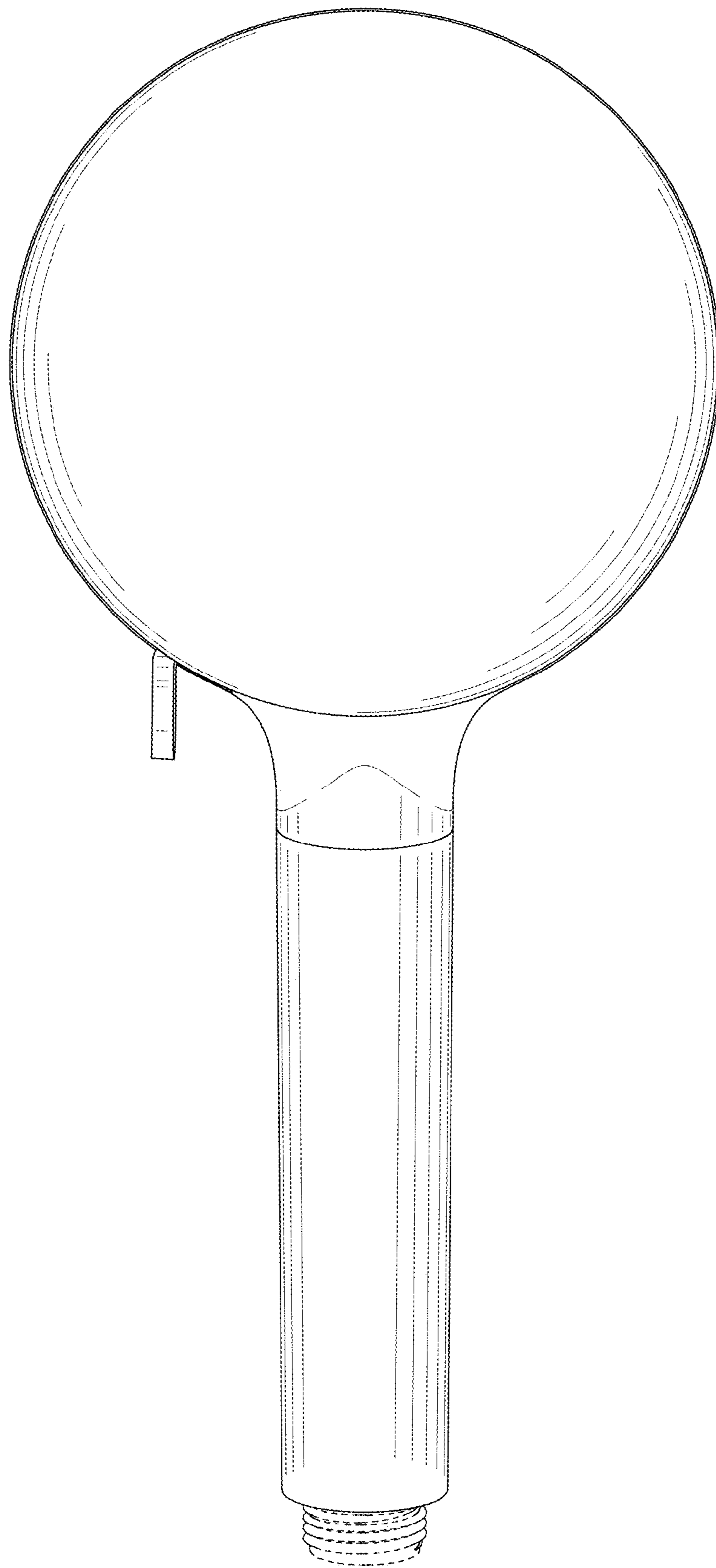


FIG. 4

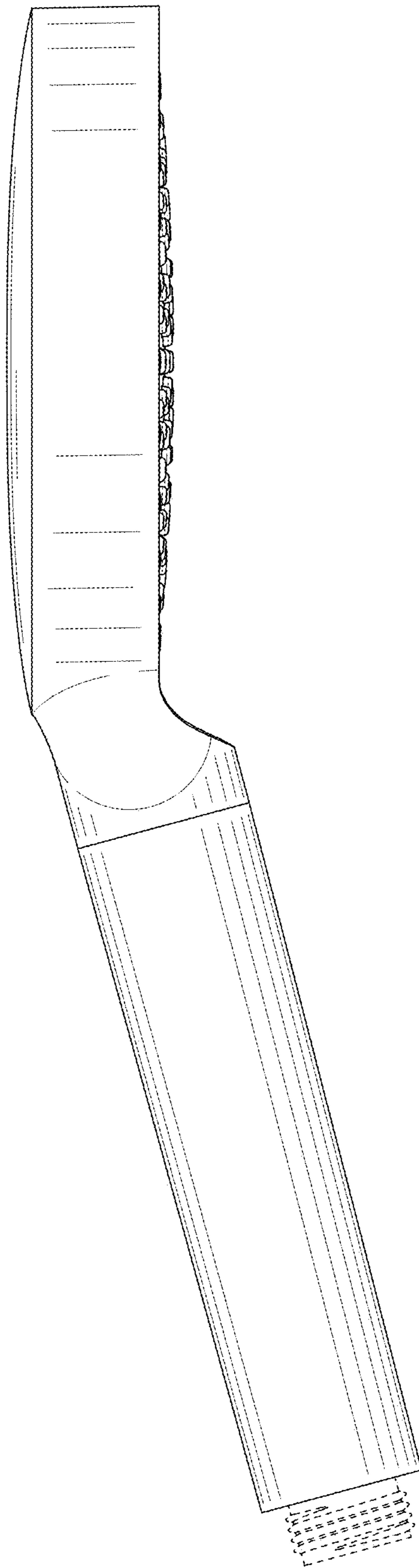


FIG. 5

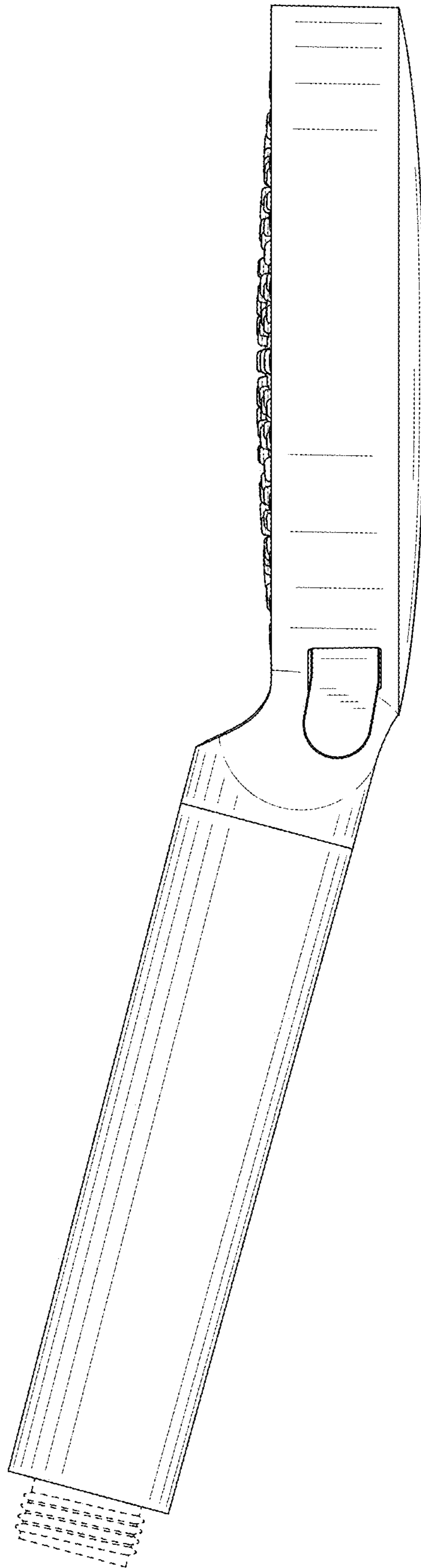


FIG. 6

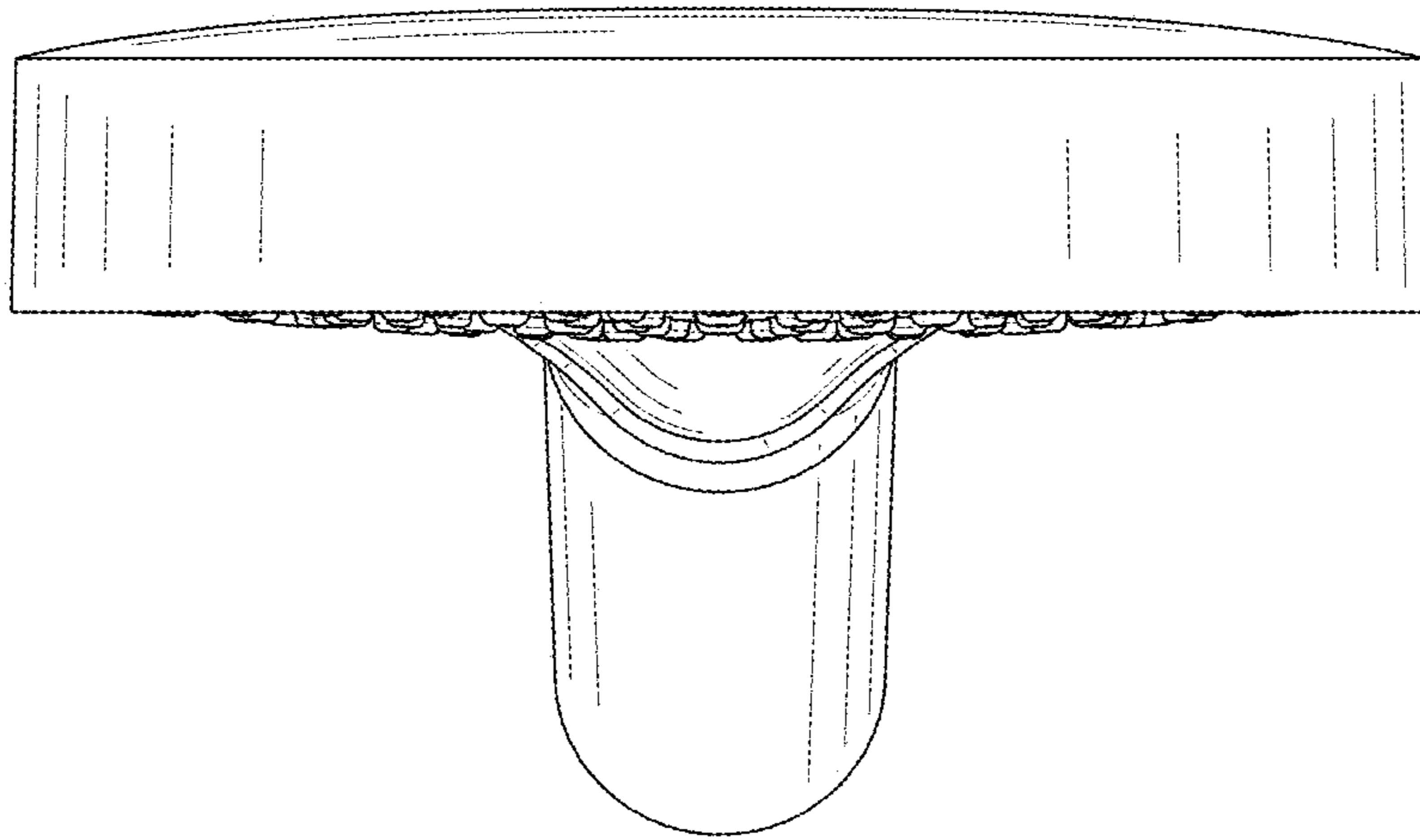


FIG. 7

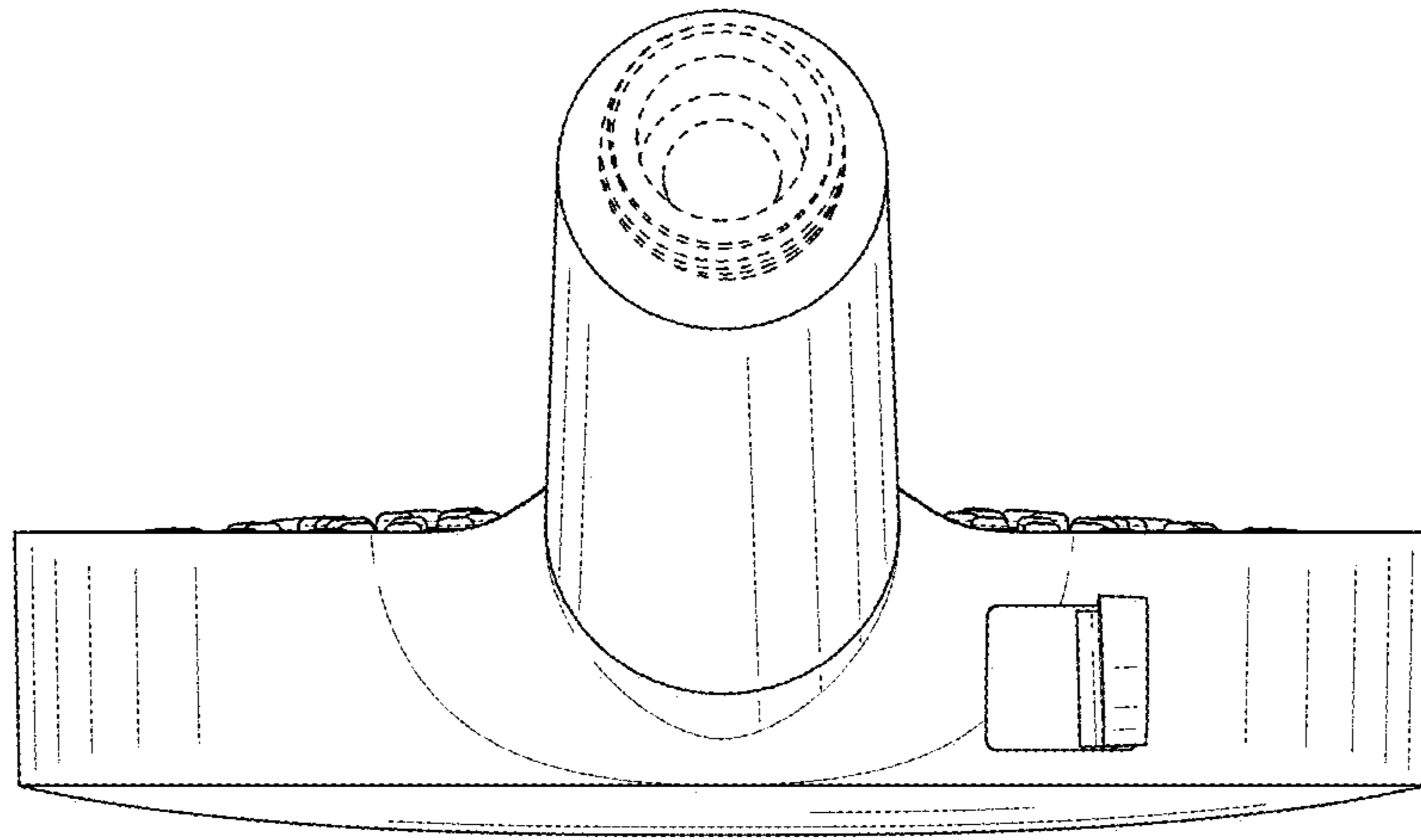


FIG. 8

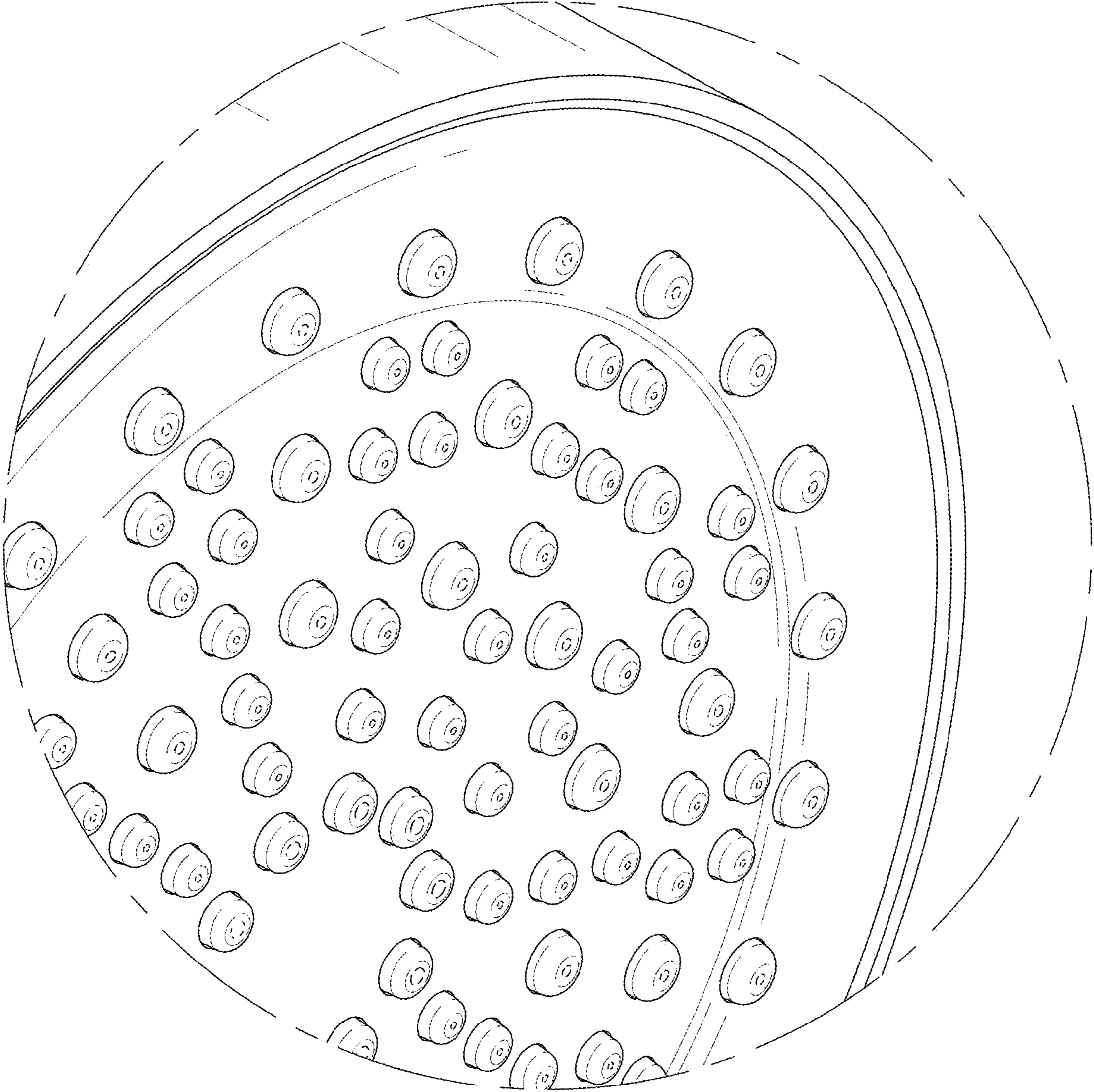


FIG. 9