



US00D977064S

(12) **United States Design Patent** (10) **Patent No.:** **US D977,064 S**
Yu et al. (45) **Date of Patent:** **** Jan. 31, 2023**

(54) **SHOWER HEAD**

(71) Applicant: **Sinyu Technology (Fujian) Co., Ltd.**,
Fujian (CN)

(72) Inventors: **Zhangjun Yu**, Fujian (CN); **Shaoming Gao**, Fujian (CN); **Shengda Yu**, Fujian (CN); **Huasheng Peng**, Fujian (CN)

(73) Assignee: **Sinyu Technology (Fujian) Co., Ltd.**,
Zhangzhou (CN)

(**) Term: **15 Years**

(21) Appl. No.: **29/782,036**

(22) Filed: **May 4, 2021**

(30) **Foreign Application Priority Data**

Nov. 6, 2020 (CN) 202030671853.4

(51) **LOC (14) Cl.** **23-01**

(52) **U.S. Cl.**
USPC **D23/223**

(58) **Field of Classification Search**
USPC D23/213, 214, 215, 221-222, 223, 224,
D23/226, 229, 230
CPC A61H 9/0021; A61H 33/00; B05B 1/00;
B05B 1/14; B05B 1/185; B05B 1/08;
B05B 1/02; B05B 1/26; B05B 12/002;
B05B 1/18; B05B 9/01
See application file for complete search history.

(56) **References Cited**

U.S. PATENT DOCUMENTS

D328,944 S * 8/1992 Robbins D23/213
D385,333 S * 10/1997 Caroen D23/304
D440,630 S * 4/2001 Gottwald D23/223
D452,897 S * 1/2002 Gillette D23/223
D454,620 S * 3/2002 Starck D23/283
D470,913 S * 2/2003 Petrovic D23/228
D497,974 S * 11/2004 Haug D23/223

D502,760 S * 3/2005 Zieger D23/223
D503,774 S * 4/2005 Zieger D23/223
D513,784 S * 1/2006 Tsang D23/223
D526,384 S * 8/2006 Wu D23/223

(Continued)

OTHER PUBLICATIONS

KAIYING Handheld Shower Head with Flow Control Push-Button, Jul. 14, 2020, amazon.ca, Apr. 19, 2022, URL: <https://www.amazon.ca/KAIYING-Push-Button-Removable-Showerhead-Adjustable/dp/B0894SQBN6/> (Year: 2020).*

(Continued)

Primary Examiner — Keith J Wilson

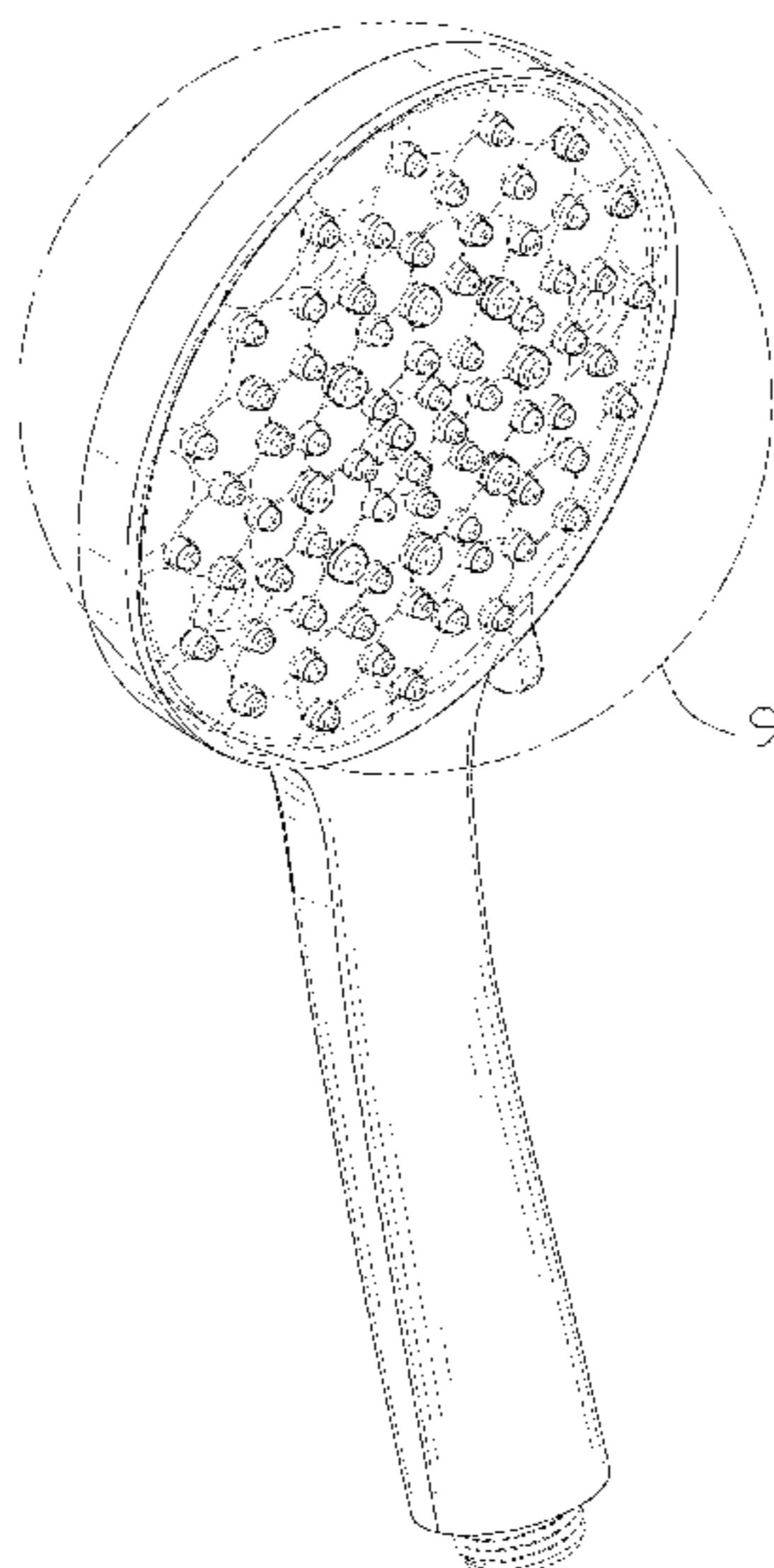
(57) **CLAIM**

The ornamental design for a shower head, as shown and described.

DESCRIPTION

FIG. 1 is a top, front and left side perspective view of a shower head showing our new design; FIG. 2 is a bottom, rear and right side perspective view thereof; FIG. 3 is a front elevational view thereof; FIG. 4 is a rear elevational view thereof; FIG. 5 is a left side view thereof; FIG. 6 is a right side view thereof; FIG. 7 is a top plan view thereof; FIG. 8 is a bottom plan view thereof; FIG. 9 is an enlarged view of portion 9 in FIG. 1; FIG. 10 is a top, front and left side perspective view showing the shower head in a disassembled State; and, FIG. 11 is a bottom, rear and right side perspective view showing the shower head in a disassembled State. The broken lines in the drawings illustrate portions of the shower head which form no part of the claimed design. The oblique shade lines in the drawings represent a transparent surface.

1 Claim, 11 Drawing Sheets



(56)

References Cited

U.S. PATENT DOCUMENTS

D528,631 S * 9/2006 Gillette D23/223
 7,191,475 B1 * 3/2007 Marcotte E03C 1/0408
 4/615
 D567,904 S * 4/2008 Schonherr D23/228
 D591,396 S * 4/2009 Lobermeier D23/223
 D609,777 S * 2/2010 Wu D23/223
 D610,231 S * 2/2010 Wu D23/223
 D621,002 S * 8/2010 Yongyan D23/228
 D639,391 S * 6/2011 Yongyan D23/228
 D654,983 S * 2/2012 Schonherr D23/223
 D714,421 S * 9/2014 Flowers D23/223
 D737,932 S * 9/2015 Nikles D23/223
 D753,267 S * 4/2016 Byron D23/229
 D758,539 S * 6/2016 Nikles D23/229
 9,387,495 B2 * 7/2016 Schumacher B05B 1/18
 D765,820 S * 9/2016 Schneider B05B 1/30
 D23/213
 D777,881 S * 1/2017 Chen D23/229
 9,677,253 B1 * 6/2017 Corneliussen E03C 1/0408
 D841,125 S * 2/2019 Lai D23/223
 D847,302 S * 4/2019 Cocks D23/223
 D895,768 S * 9/2020 Schonherr D23/223
 D919,746 S * 5/2021 Lin D23/223
 D924,359 S * 7/2021 Schonherr D23/223

D924,360 S * 7/2021 Schonherr D23/223
 2008/0272203 A1 * 11/2008 Leber E03C 1/021
 239/101
 2009/0124945 A1 * 5/2009 Reich A61C 17/032
 601/165
 2019/0365160 A1 * 12/2019 Hawkins B05B 1/16
 2020/0078802 A1 * 3/2020 Chung B05B 1/16

OTHER PUBLICATIONS

Moen 189315 Eco-Performance Handshower Hand Shower Head, Chrome, Jul. 17, 2018, amazon.ca, Apr. 19, 2022, URL: https://www.amazon.ca/dp/B07F6NT116/ref=sbl_dpx_ca-home-improvement-bathroom-handheld-showerheads_B07TWZXQGB_0 (Year: 2018).*
 Seido Handheld Shower Head, Jul. 16, 2018, amazon.ca, Apr. 19, 2022, URL: https://www.amazon.ca/dp/B07FKQ4PDR/ref=sbl_dpx_ca-home-improvement-bathroom-handheld-showerheads_B00CP71LBS_0 (Year: 2018).*
 Handheld Shower Head, G1/2in Thread Rain Top Shower Sprayer Handheld, Oct. 15, 2020, amazon.ca, Apr. 19, 2022, URL: https://www.amazon.ca/dp/B08L858WTV/ref=sbl_dpx_ca-home-improvement-bathroom-handheld-showerheads_B09NSSX2GS_0 (Year: 2020).*

* cited by examiner

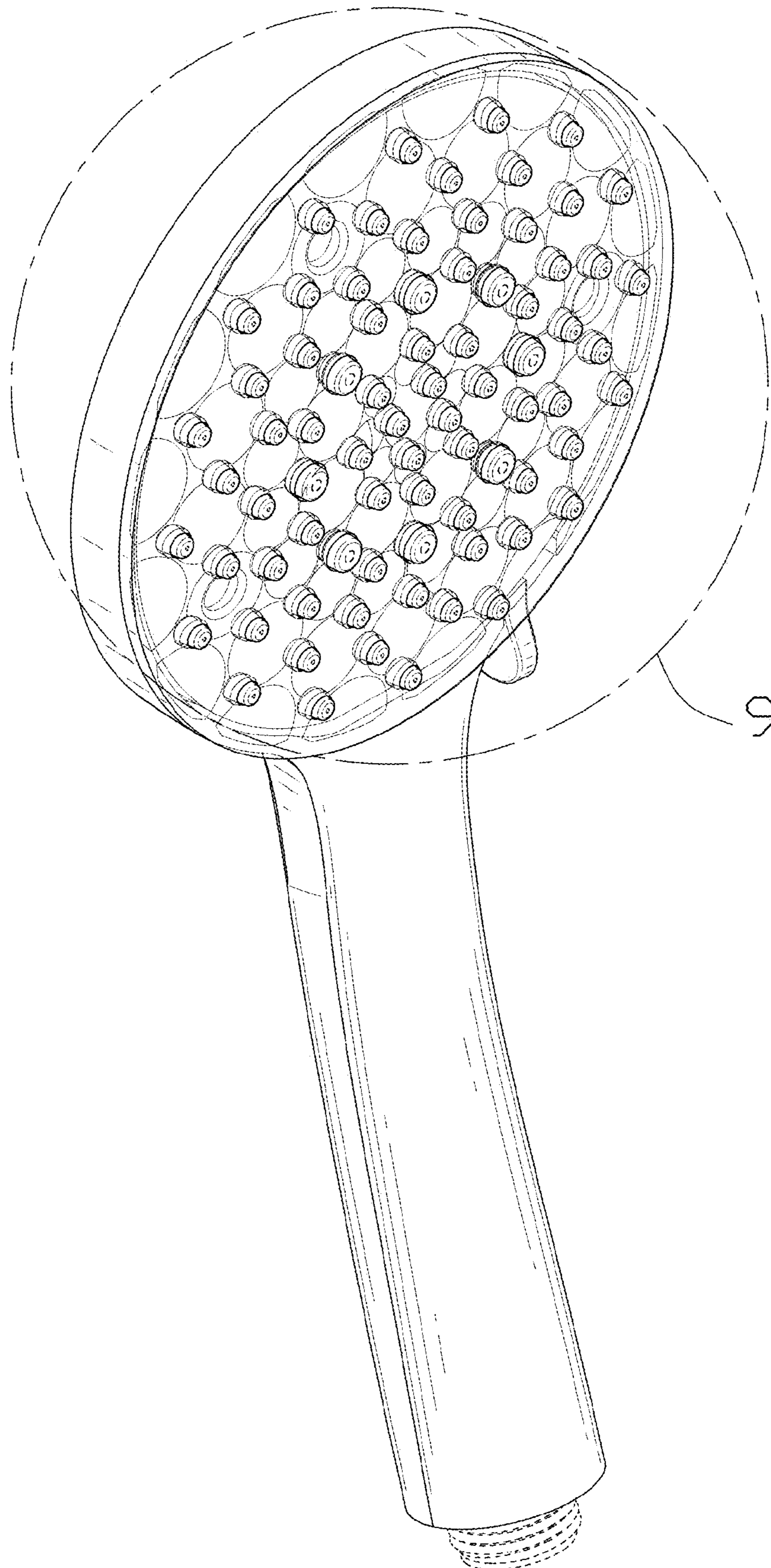


FIG. 1

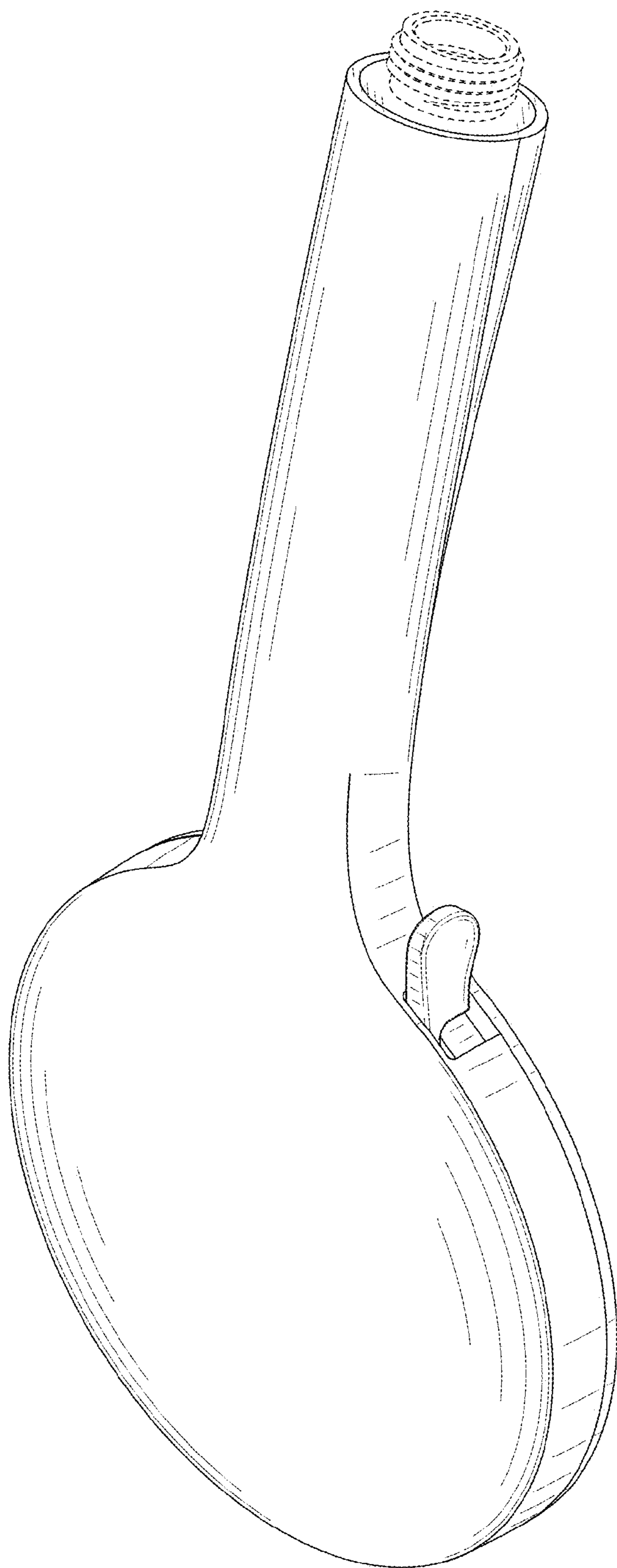


FIG. 2

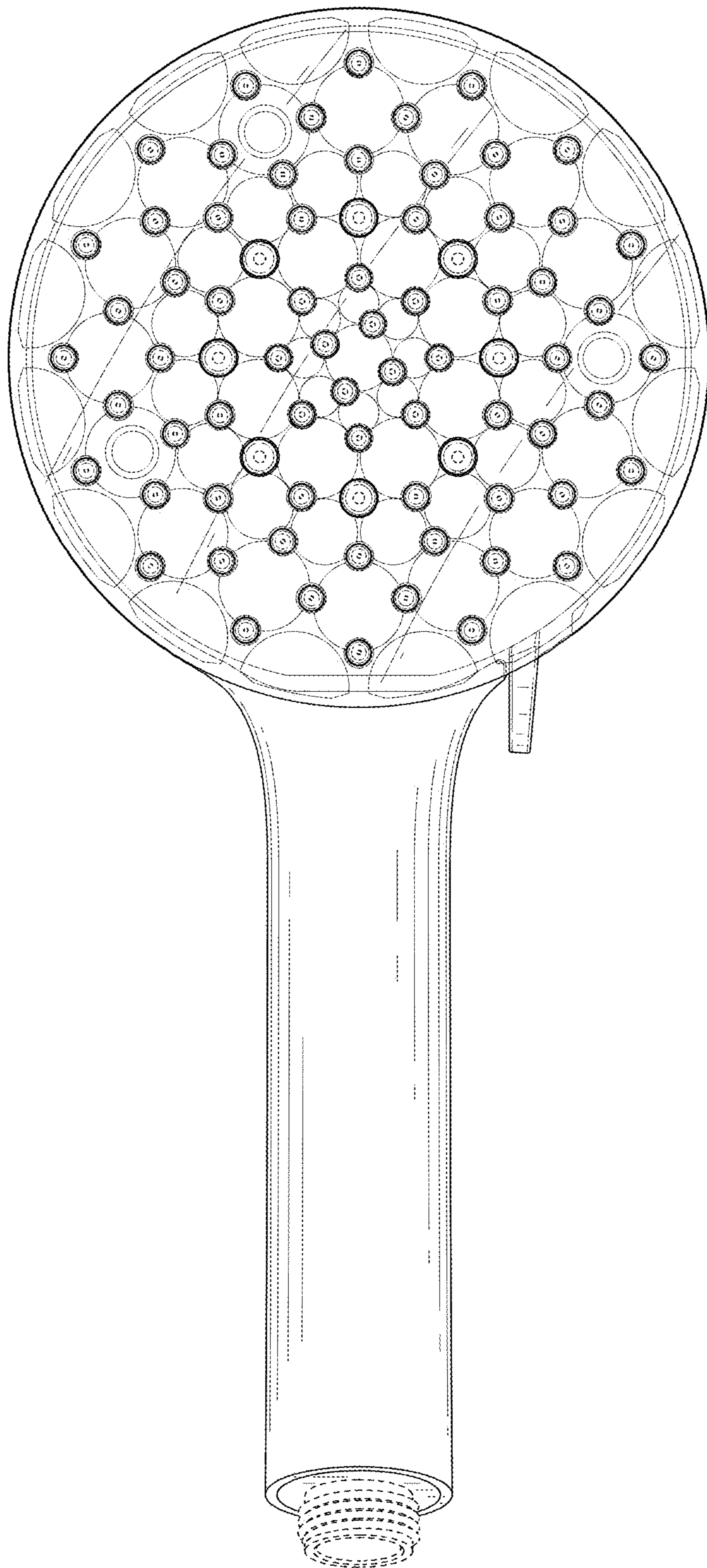


FIG. 3

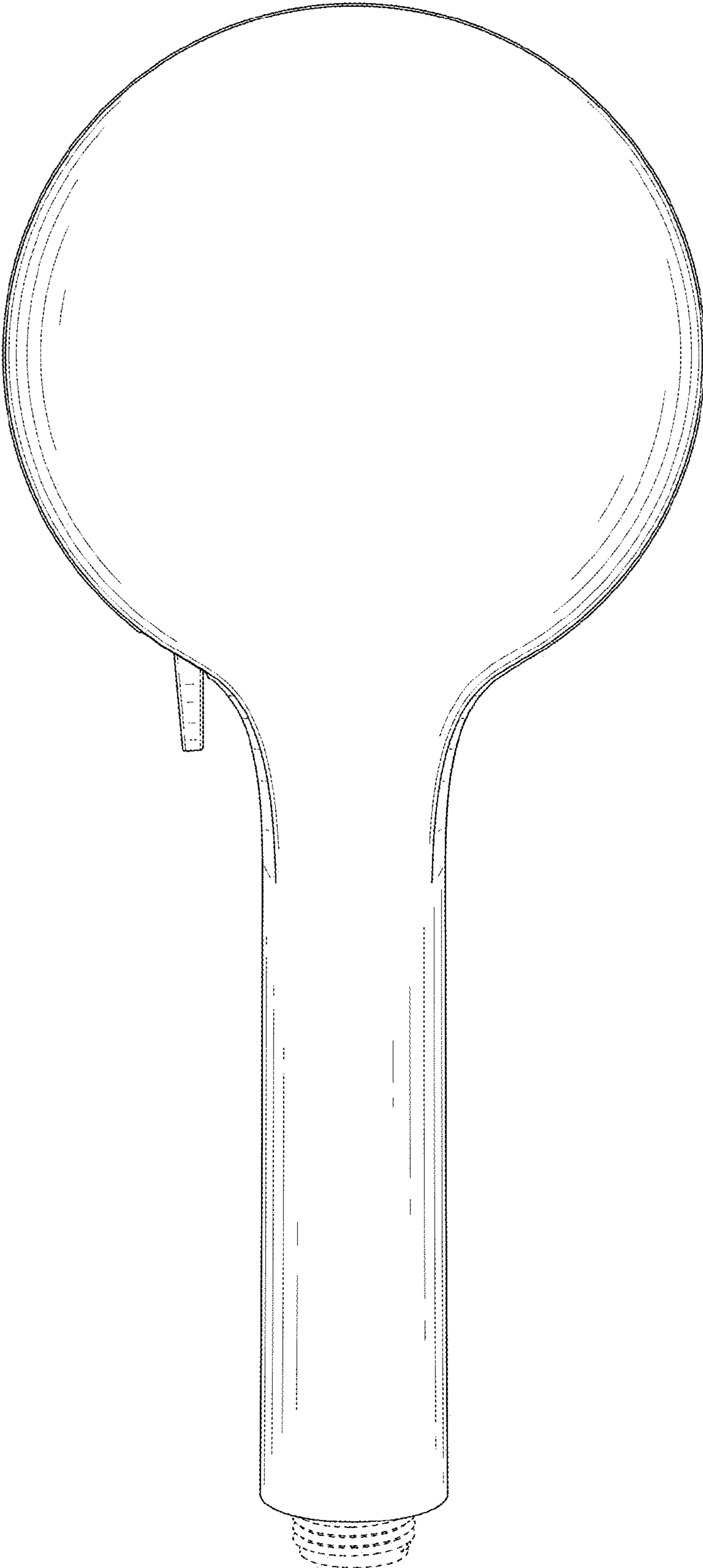


FIG. 4

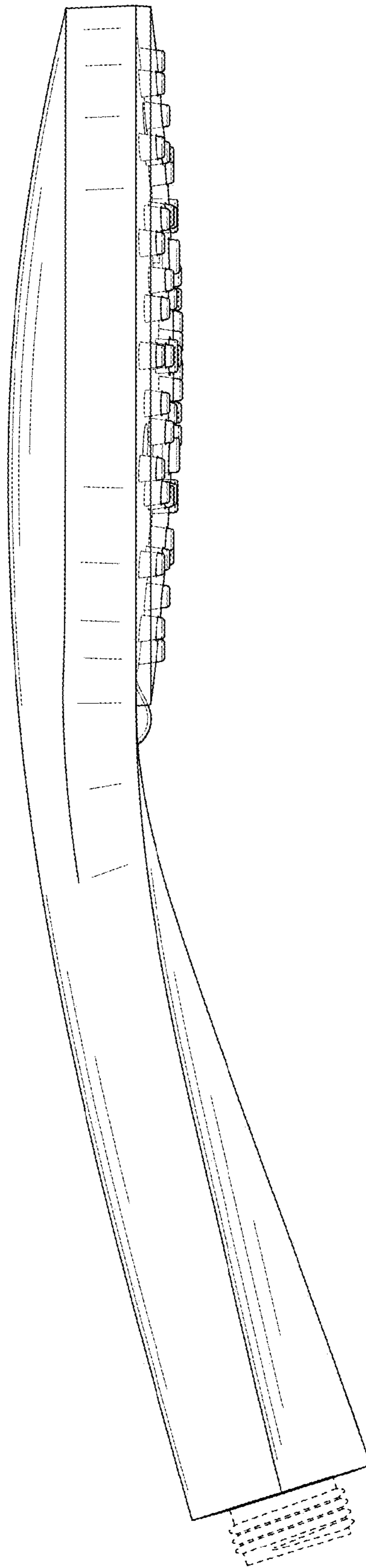


FIG. 5

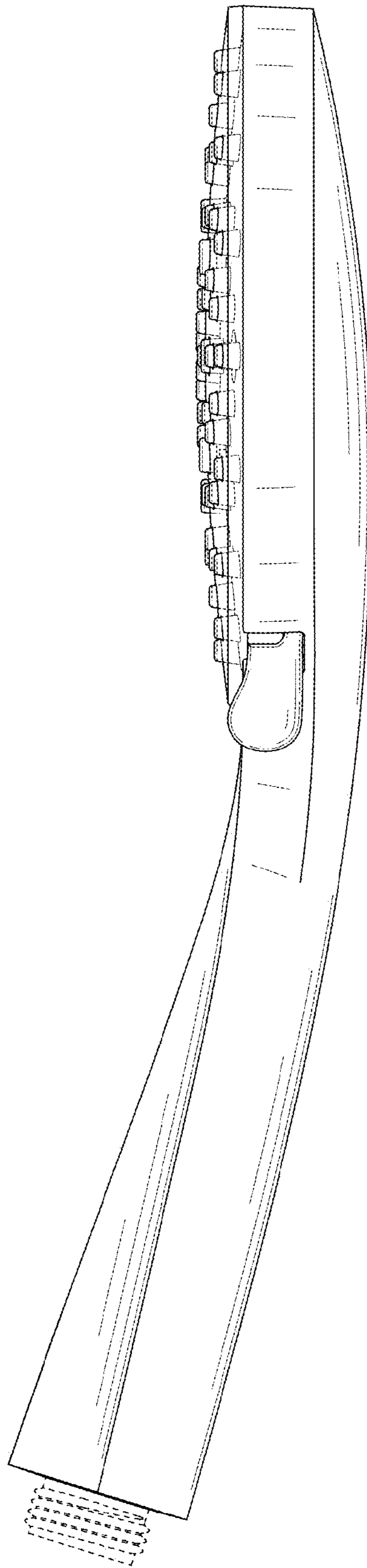


FIG. 6

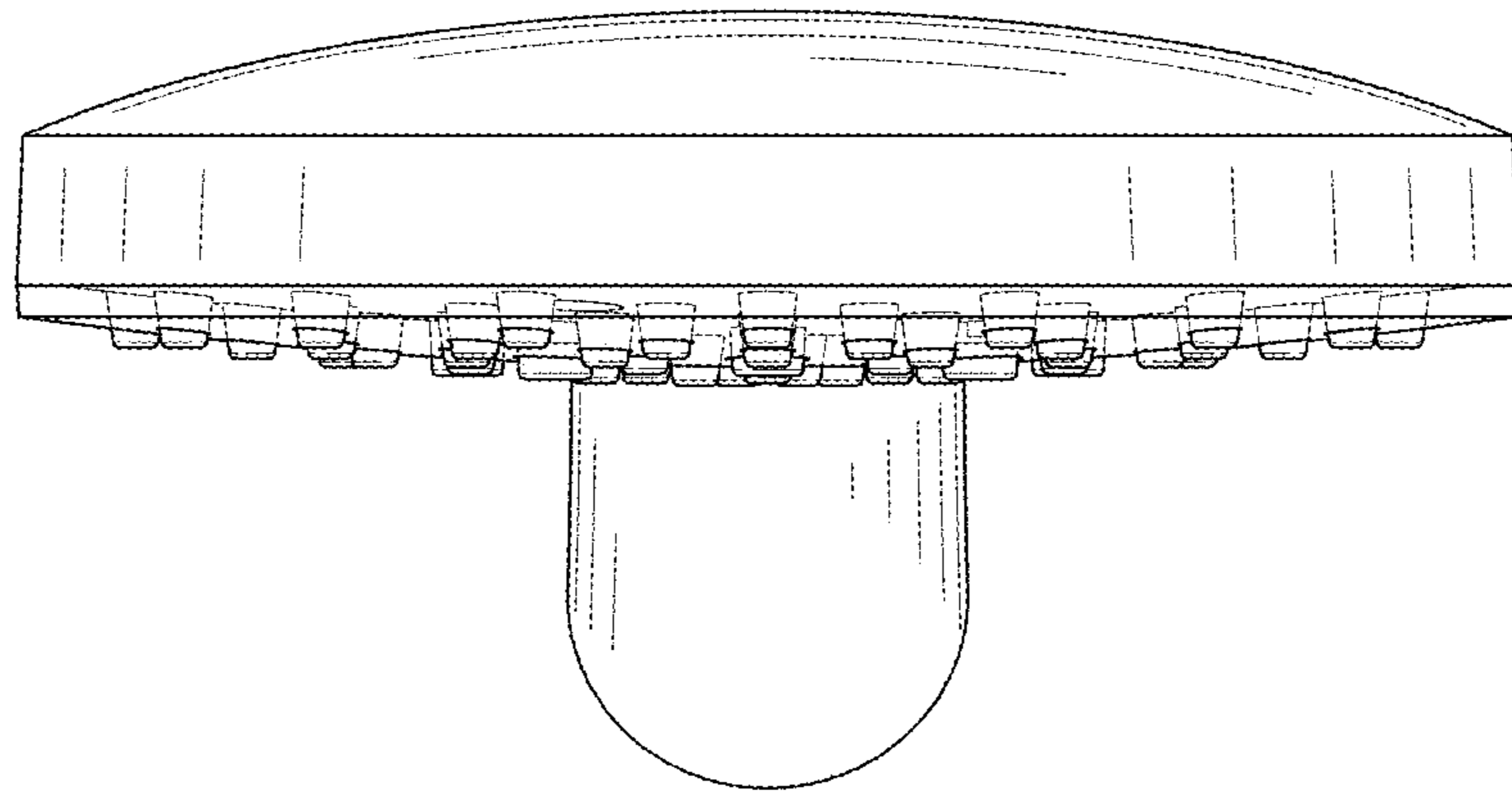


FIG. 7

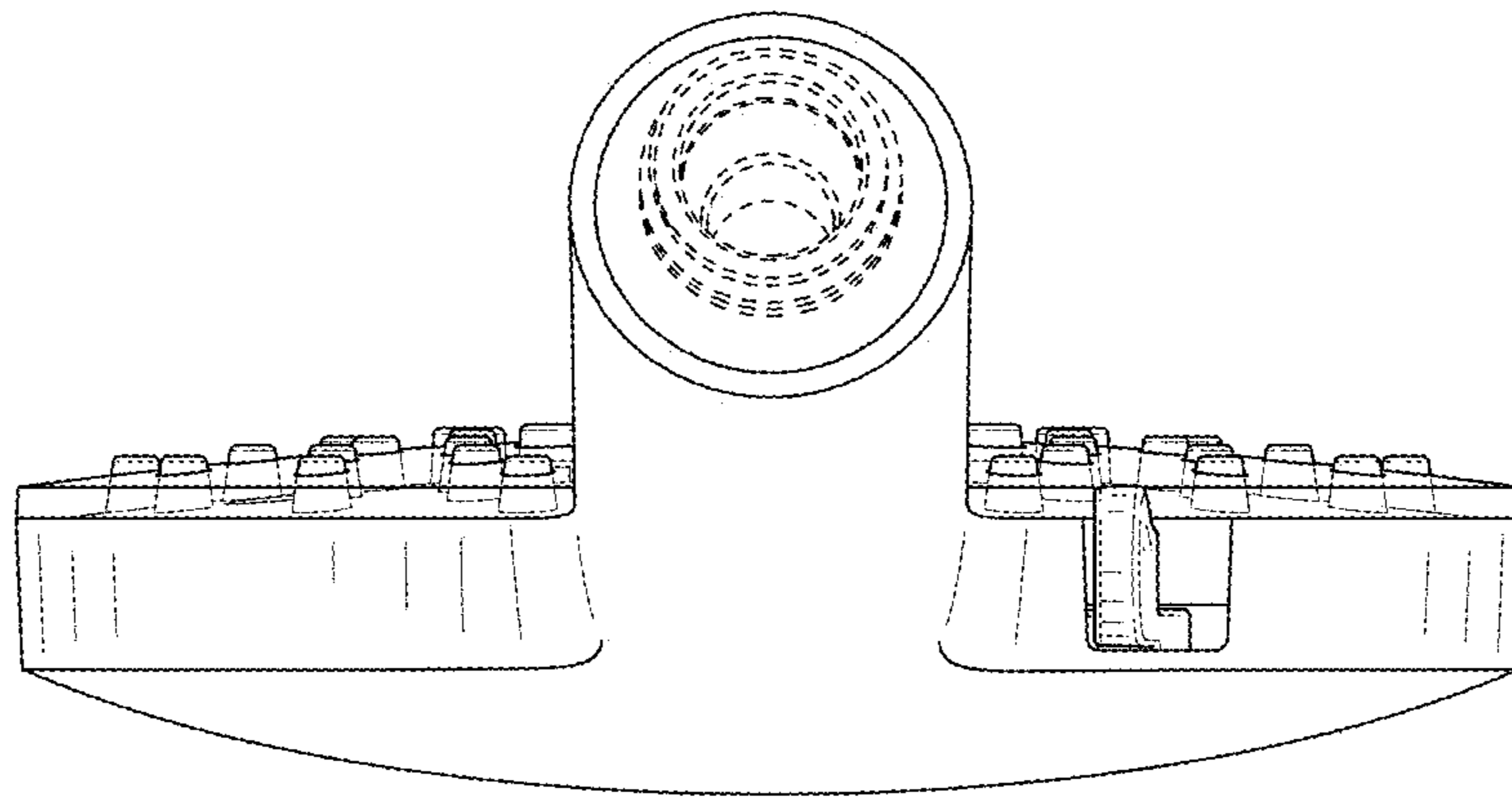


FIG. 8

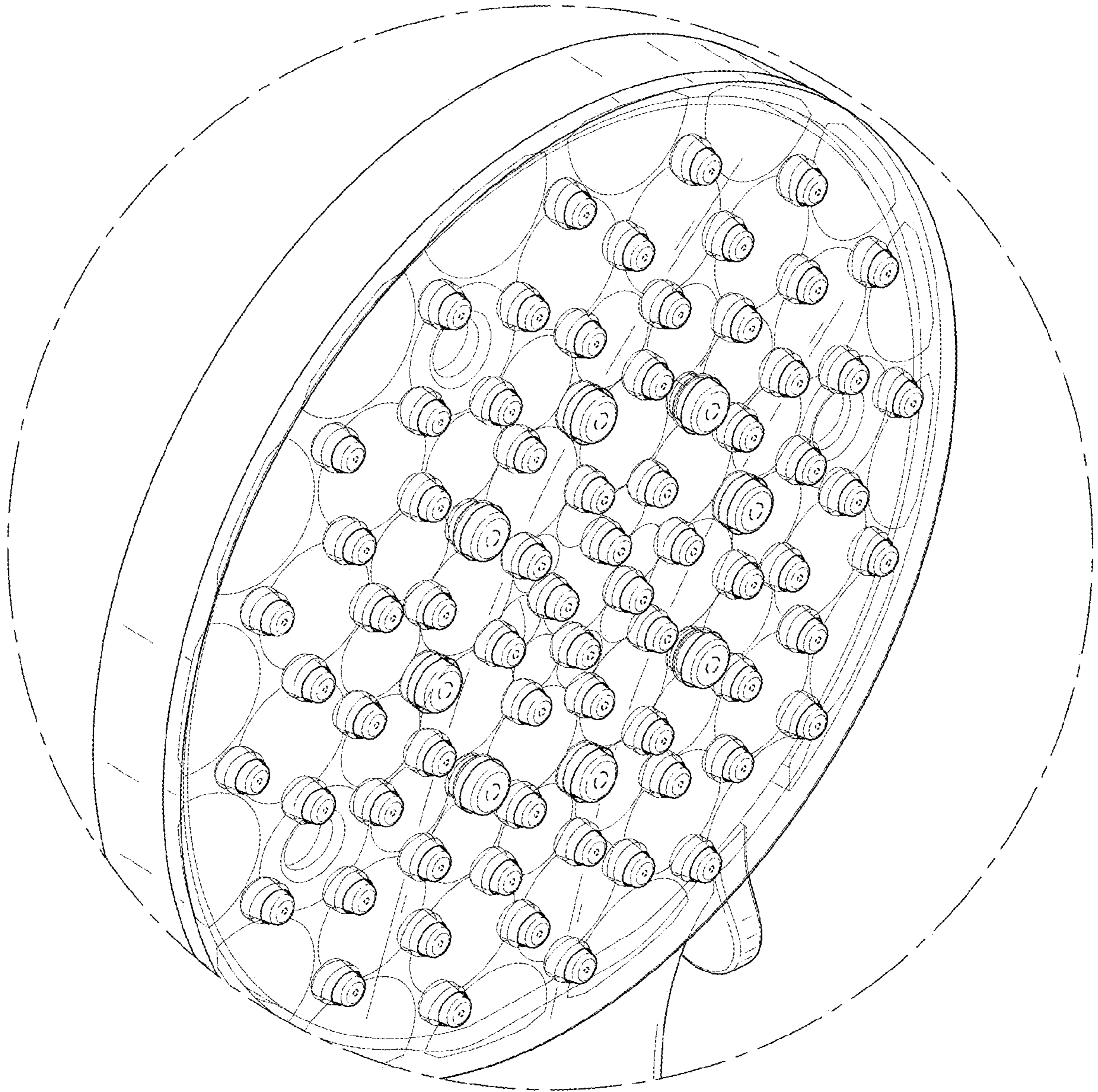


FIG. 9

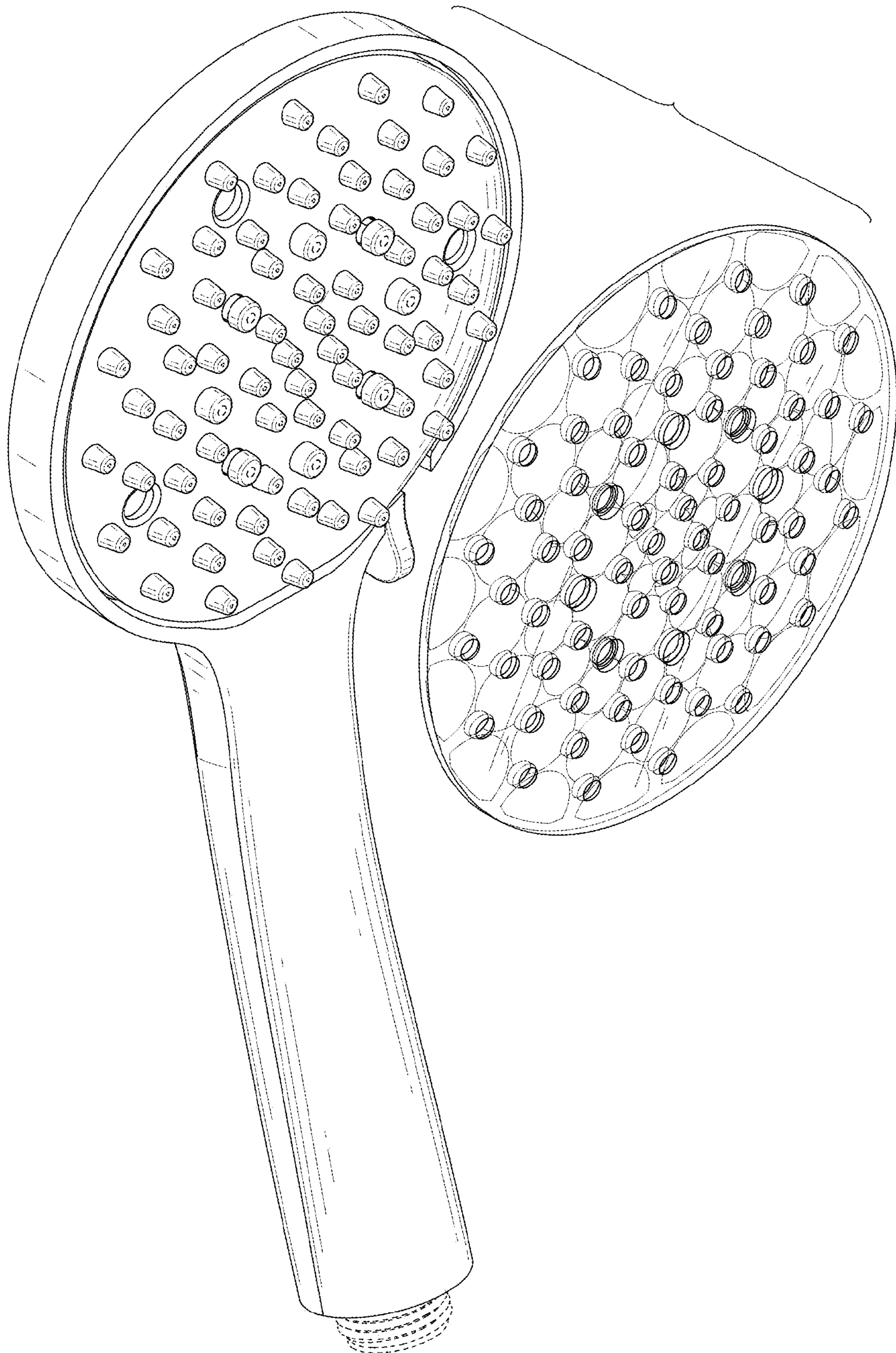


FIG. 10

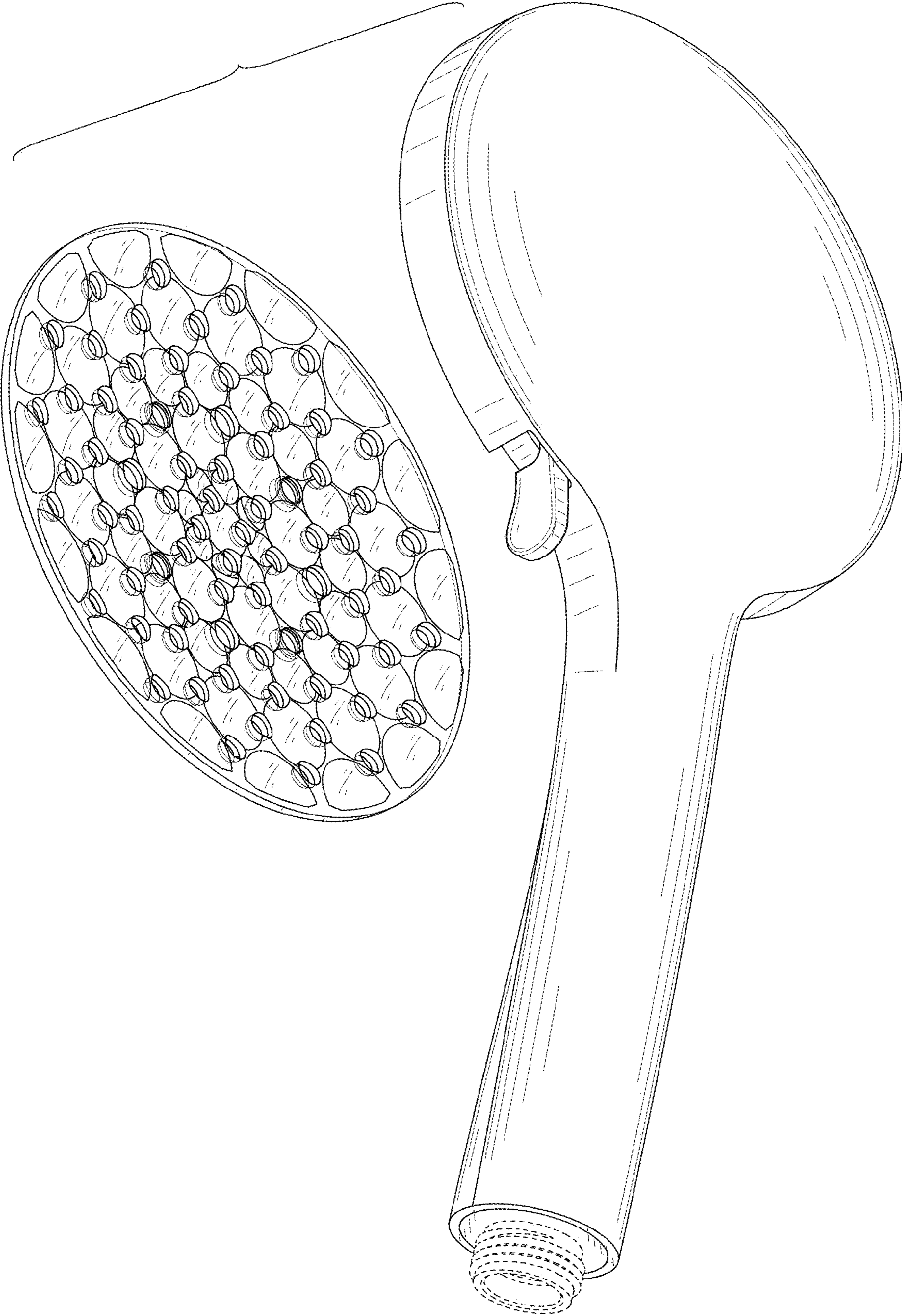


FIG. 11