



US00D977063S

(12) **United States Design Patent**
Pixton

(10) **Patent No.:** **US D977,063 S**

(45) **Date of Patent:** **** Jan. 31, 2023**

(54) **SHOWER HEAD**

(71) Applicant: **Kohler Mira Limited**

(72) Inventor: **David Pixton**, Cheltenham (GB)

(73) Assignee: **KOHLER MIRA LIMITED**,
Cheltenham (GB)

(**) Term: **15 Years**

(21) Appl. No.: **29/827,738**

(22) Filed: **Feb. 22, 2022**

Related U.S. Application Data

(62) Division of application No. 29/738,454, filed on Jun. 17, 2020, now Pat. No. Des. 956,924, which is a division of application No. 29/668,584, filed on Oct. 31, 2018, now Pat. No. Des. 890,298.

(51) **LOC (14) Cl.** **23-01**

(52) **U.S. Cl.**
USPC **D23/213**

(58) **Field of Classification Search**
USPC D23/213, 214, 215, 223, 224, 226, 229,
D23/230

CPC A61H 9/0021; A61H 33/00; B05B 1/00;
B05B 1/14; B05B 1/185; B05B 1/08;
B05B 1/02; B05B 1/26; B05B 12/002;
B05B 1/18; B05B 9/01

See application file for complete search history.

(56) **References Cited**

U.S. PATENT DOCUMENTS

6,537,455 B2 3/2003 Farley
D537,455 S 2/2007 Kuwae et al.
D559,945 S 1/2008 Patterson et al.
D564,621 S 3/2008 Lammel et al.
D578,604 S 10/2008 Wu et al.
D581,014 S 11/2008 Quinn et al.
D610,651 S 2/2010 Wu et al.

7,866,576 B1 1/2011 Farley
D634,810 S 3/2011 Yoo et al.
D659,796 S 5/2012 Farley
D659,797 S 5/2012 Farley
D666,010 S 8/2012 Farley
D680,619 S 4/2013 Zhadanov
D681,776 S 5/2013 Cutler et al.
D744,065 S 11/2015 Peterson et al.
D744,611 S 12/2015 Quinn
D755,346 S 5/2016 Yan
9,404,243 B2 8/2016 Cacka et al.

(Continued)

OTHER PUBLICATIONS

Moen Magnetix 26013 Combo 2.5-GPM Chrome 6-Spray Rain Handheld Shower, Dec. 17, 2018, amazon.ca, Mar. 25, 2022, URL: https://www.amazon.ca/dp/B07L9G6X98/ref=sbl_dp_x_ca-home-improvement-bathroom-handheld-showerheads_B01DVS3X56_0 (Year: 2018).*

(Continued)

Primary Examiner — Keith J Wilson

(74) *Attorney, Agent, or Firm* — Husch Blackwell LLP

(57) **CLAIM**

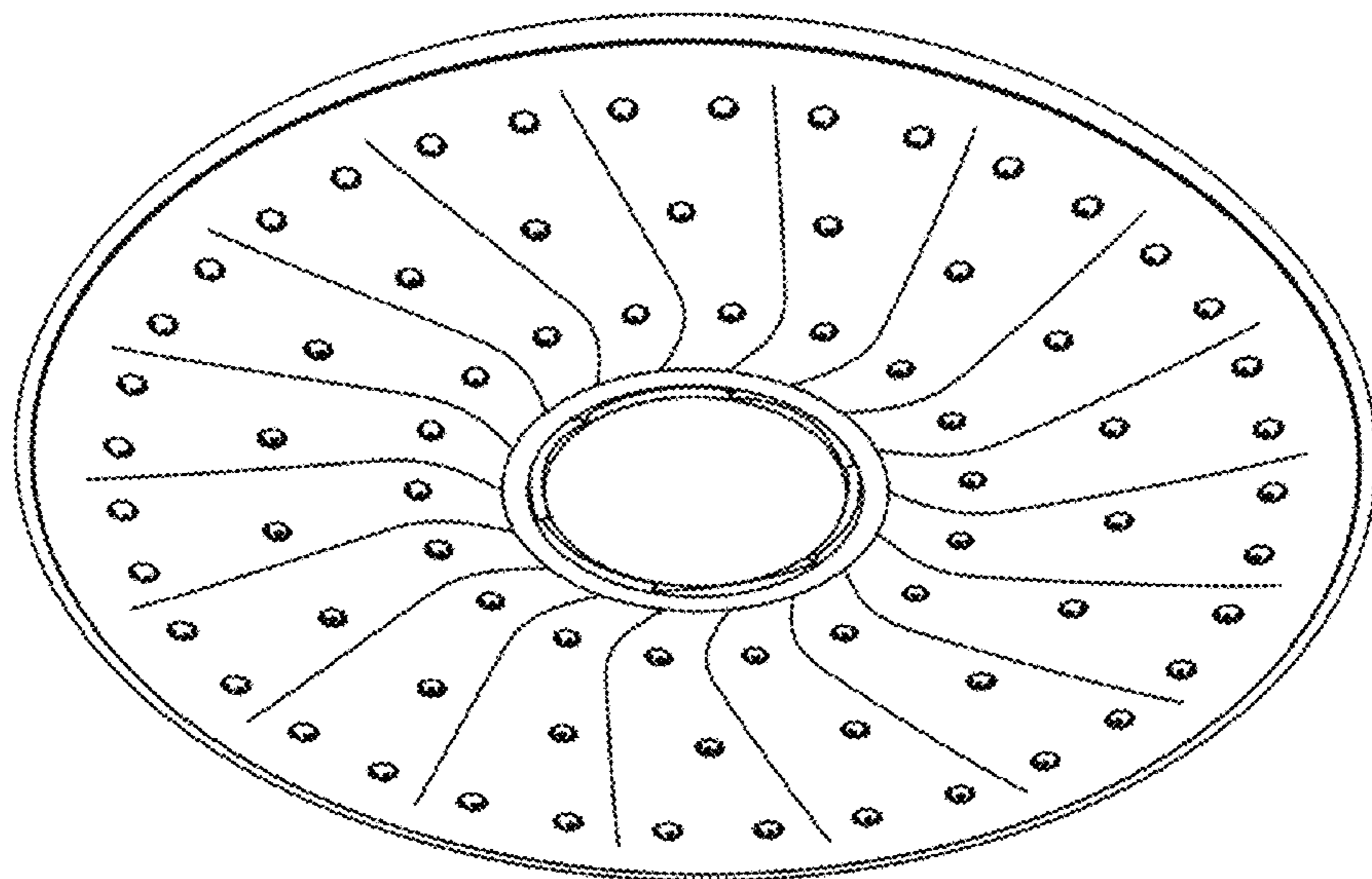
I claim the ornamental design for a shower head, as shown and described.

DESCRIPTION

FIG. 1 is a top, front perspective view of the claimed design; FIG. 2 is a front elevation view thereof; FIG. 3 is a right side elevation view thereof, the left side elevation view being a mirror image thereof; FIG. 4 is a rear elevation view thereof; and, FIG. 5 is a bottom, rear perspective view thereof.

The ornamental design which is claimed is shown in solid lines in the drawings. The broken lines in the drawings are for illustrative purposes only and form no part of the claimed design.

1 Claim, 5 Drawing Sheets



(56)

References Cited

U.S. PATENT DOCUMENTS

D779,039 S 2/2017 Hanna et al.
 9,764,339 B2 9/2017 Yu
 D810,861 S 2/2018 Weaver et al.
 D820,949 S 6/2018 Reinecker et al.
 D842,967 S 3/2019 Farley
 10,234,054 B1 3/2019 Yang
 D857,842 S 8/2019 Yu
 D864,350 S * 10/2019 Logar D23/223
 D890,298 S 7/2020 Pixton
 D892,268 S 8/2020 Wang et al.
 D901,632 S 11/2020 Wu et al.
 D901,633 S 11/2020 Wang et al.
 D908,836 S 1/2021 Wu
 D930,790 S 9/2021 Yan
 D934,994 S 11/2021 Fantini
 D938,550 S * 12/2021 Downey D23/213
 D942,589 S * 2/2022 Su D23/226
 D943,060 S * 2/2022 Fan D23/213
 11,241,702 B2 * 2/2022 Huffington B05B 1/185
 D950,013 S * 4/2022 Ravassa D23/213
 2012/0031511 A1 2/2012 Farley
 2019/0091715 A1 3/2019 Mercado
 2022/0032326 A1 * 2/2022 Cacka E03C 1/0405

2022/0038802 A1 * 2/2022 Hanna F21V 33/004
 2022/0048048 A1 * 2/2022 Hofman B05B 1/3046
 2022/0048049 A1 * 2/2022 Rexach B05B 1/3046
 2022/0062924 A1 * 3/2022 Ying B05B 1/08

OTHER PUBLICATIONS

Moen 26100EPSRN Magnetix 3.5-Inch Six-Function Handheld Showerhead, May 20, 2016, amazon.ca, Mar. 25, 2022, URL: <https://www.amazon.ca/Moen-26100EPSRN-Six-Function-Eco-Performance-Handshower/dp/B01DVS3X56/> (Year: 2016).*

Kohler 22169-G-CP Forte Showerhead, Polished Chrome, Jan. 16, 2019, amazon.ca, Mar. 25, 2022, URL: <https://www.amazon.ca/Kohler-22169-G-CP-Hydrorail-Shower-Column/dp/B07MDXF3XG/> (Year: 2019).*

Speakman S-4000 Reaction Fixed 2.5 GPM Shower Head, Dusk Blue, Oct. 26, 2015, amazon.ca, Sep. 13, 2022, URL: <https://www.amazon.ca/dp/B00LGIJ6M8/> (Year: 2015).*

Moen 26100EPSRN Magnetix 3.5-Inch Six-Function Handheld Showerhead, May 20, 2016, amazon.ca, Mar. 25, 2022, URL: <https://amazon.ca/Moen-26100EPSRN-Six-Function-Eco-Performance-Handshower/dp/B01DVS3X56/> (Year: 2019).

* cited by examiner

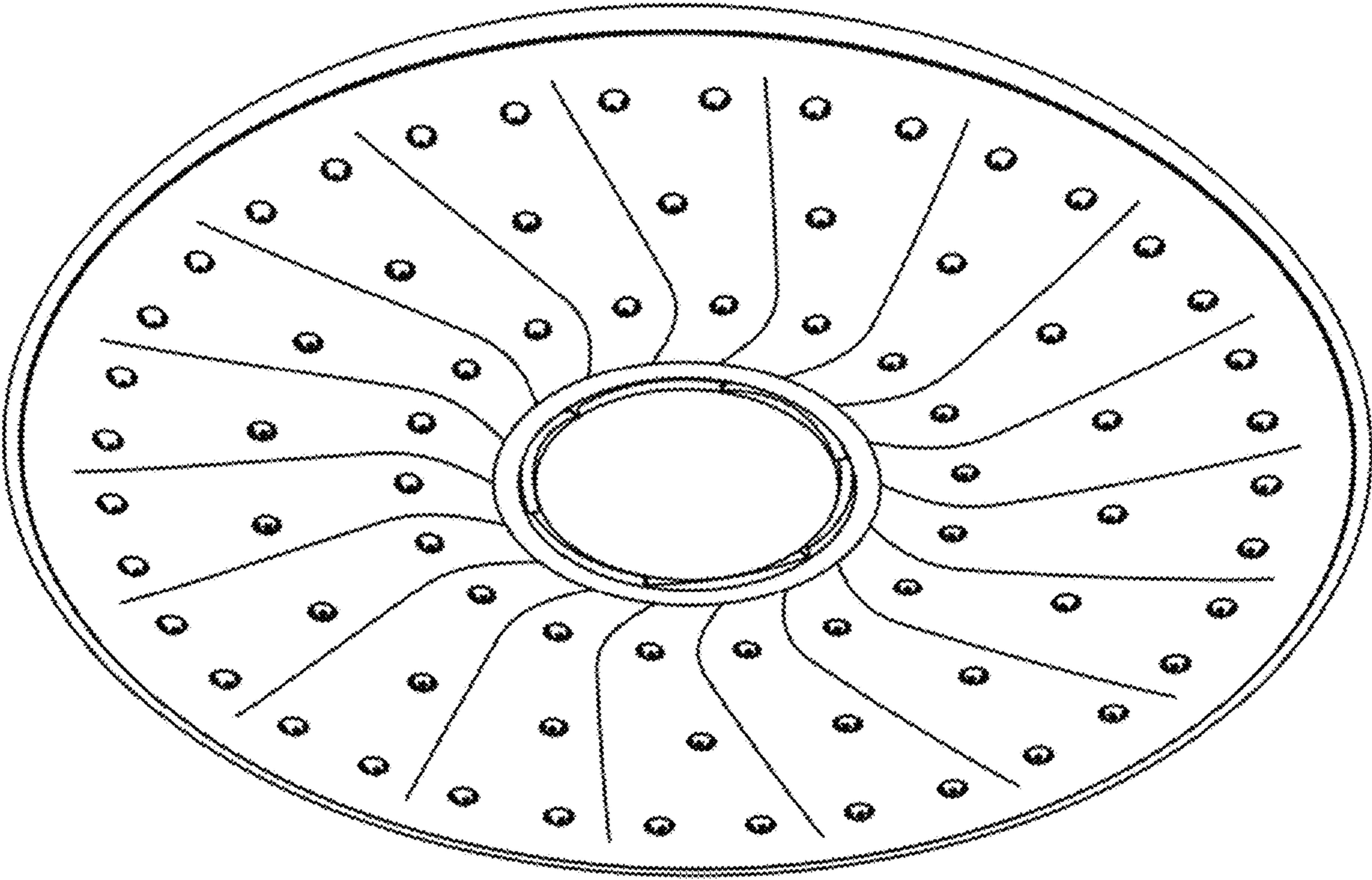


Fig. 1

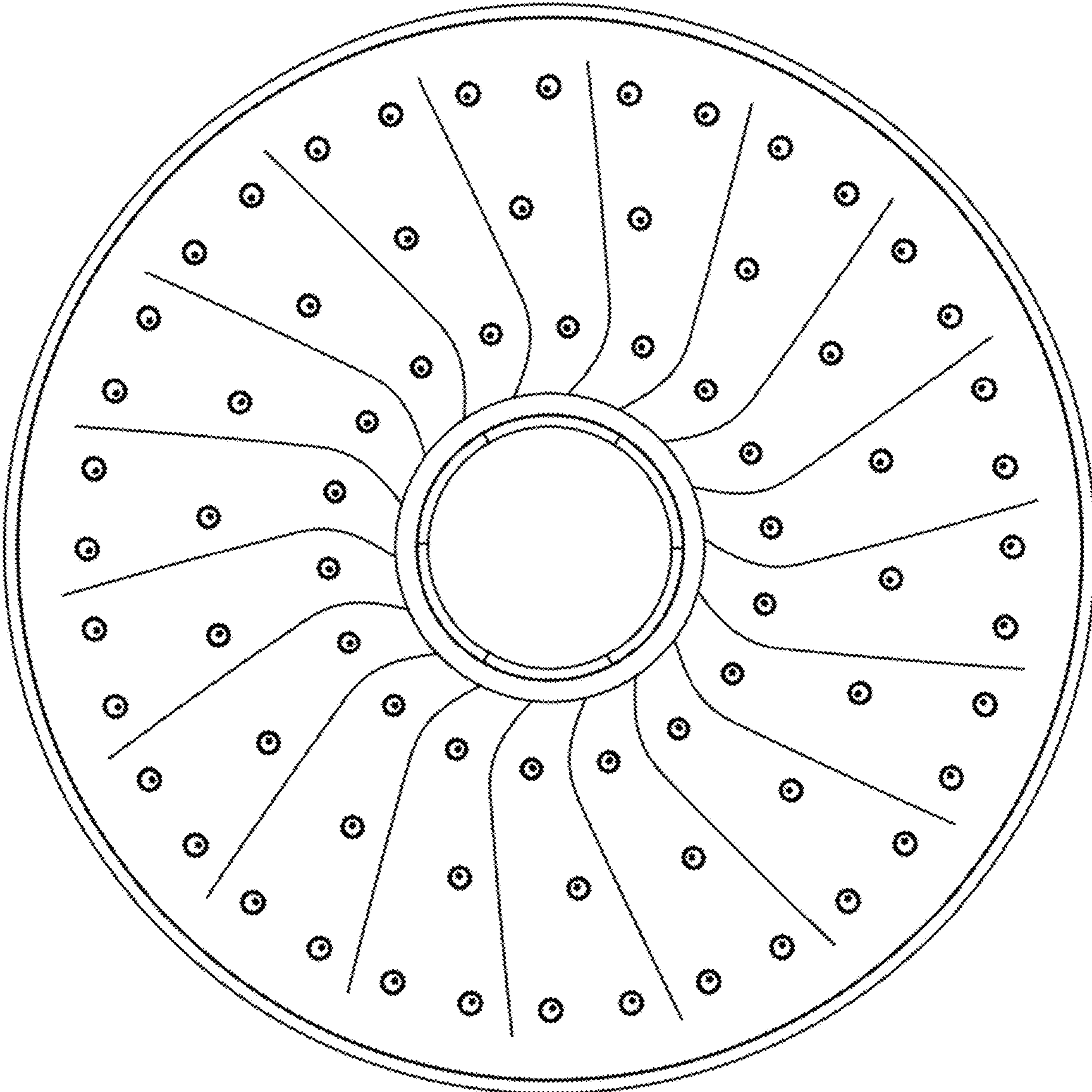


Fig. 2

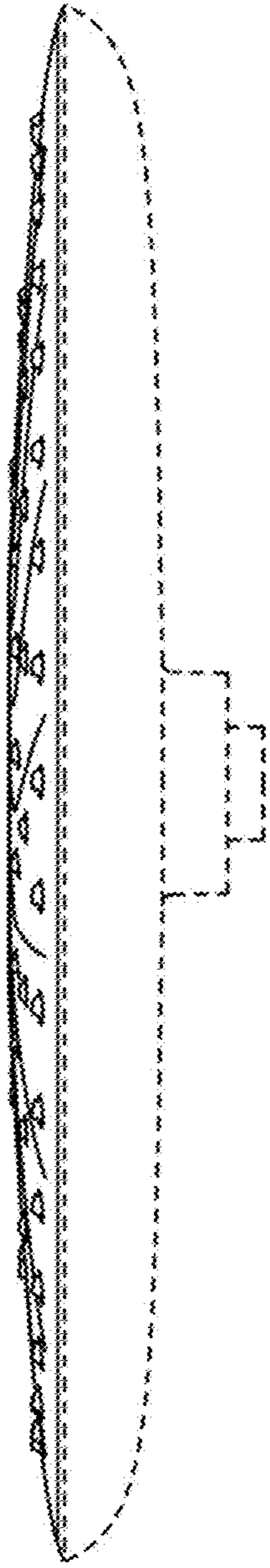


Fig. 3

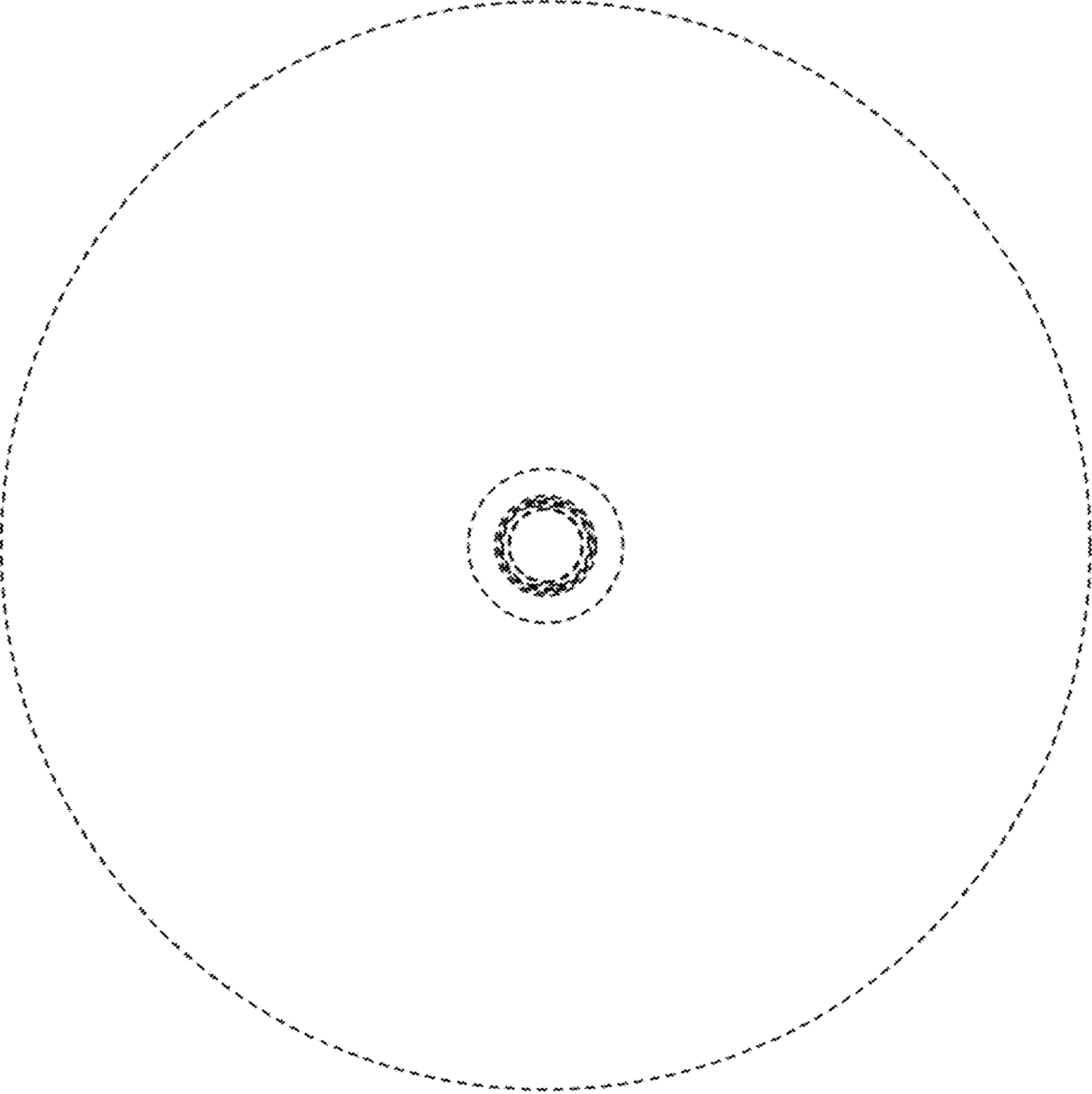


Fig. 4

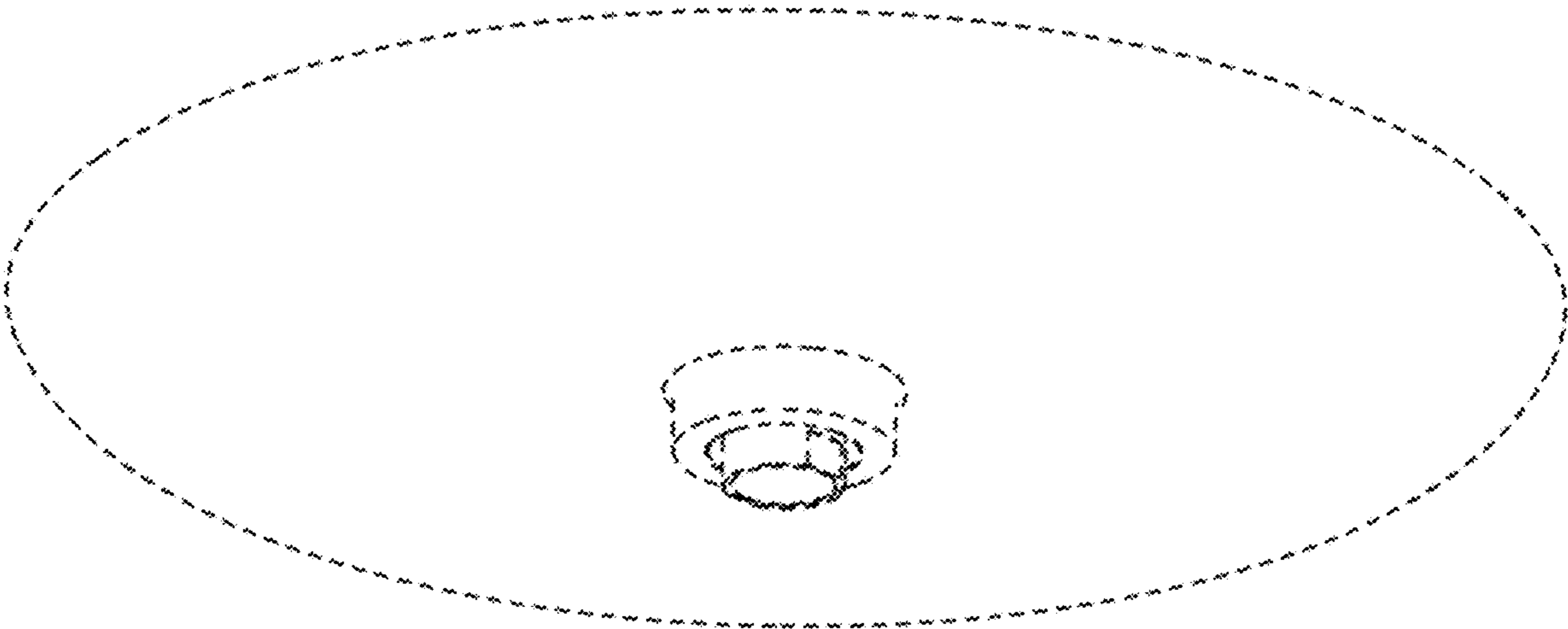


Fig. 5