



US00D977061S

(12) **United States Design Patent**
Hui

(10) **Patent No.:** **US D977,061 S**

(45) **Date of Patent:** **** Jan. 31, 2023**

(54) **CHLORINATOR CELL**

(71) Applicant: **COMPUROBOT TECHNOLOGY COMPANY, Dongguan (CN)**

(72) Inventor: **Wing-Tak Hui, Hong Kong (CN)**

(73) Assignee: **Compurobot Technology Company, Dongguan (CN)**

(**) Term: **15 Years**

(21) Appl. No.: **29/757,731**

(22) Filed: **Nov. 9, 2020**

(51) **LOC (14) Cl.** **23-01**

(52) **U.S. Cl.**
USPC **D23/208**

(58) **Field of Classification Search**
USPC D23/213, 314, 355, 370, 371, 414
CPC ... E03C 1/12; E03B 11/08; F24F 13/06; F24F 13/22; F24F 13/20; F24F 12/00; B01D 39/12
See application file for complete search history.

(56) **References Cited**

U.S. PATENT DOCUMENTS

4,861,451	A *	8/1989	David	C02F 1/4674
					204/278
5,384,102	A *	1/1995	Ferguson	B01F 21/221
					210/97
5,407,567	A *	4/1995	Newhard	B01F 21/221
					210/205
5,932,093	A *	8/1999	Chulick	C02F 1/688
					210/94
6,033,560	A *	3/2000	Kisner	E04H 4/1281
					248/205.2
D422,676	S *	4/2000	Conover, Jr.	D23/208
D487,135	S *	2/2004	Lord	D23/245
D519,190	S *	4/2006	Lord	D23/238
D522,614	S *	6/2006	Ko	D23/213
D535,357	S *	1/2007	Zhou	D23/238

D550,326	S *	9/2007	Huang	D23/213
D580,023	S *	11/2008	Gilbert	D23/255
D583,015	S *	12/2008	Soriano	D23/249
D621,902	S *	8/2010	Mercer	D23/208
D629,065	S *	12/2010	Rossano	D23/208
D649,622	S *	11/2011	Palmer	D23/208
D679,364	S *	4/2013	Wierzbicki	D23/207
D713,508	S *	9/2014	Downey	D23/238
D719,242	S *	12/2014	Kim	D23/255
D754,301	S *	4/2016	Bahler	D23/255

(Continued)

OTHER PUBLICATIONS

Hayward AQR9 Goldline AquaRite Electronic Salt Pool Chlorinator, Jun. 3, 2014, amazon.ca, Feb. 24, 2022, URL: <https://www.amazon.ca/Hayward-AQR9-Electronic-Chlorinator-25000-Gallon/dp/B002WKFA4M/> (Year: 2014).*

(Continued)

Primary Examiner — Keith J Wilson

(74) *Attorney, Agent, or Firm* — Jeffrey D. Moy; Weiss & Moy, PC

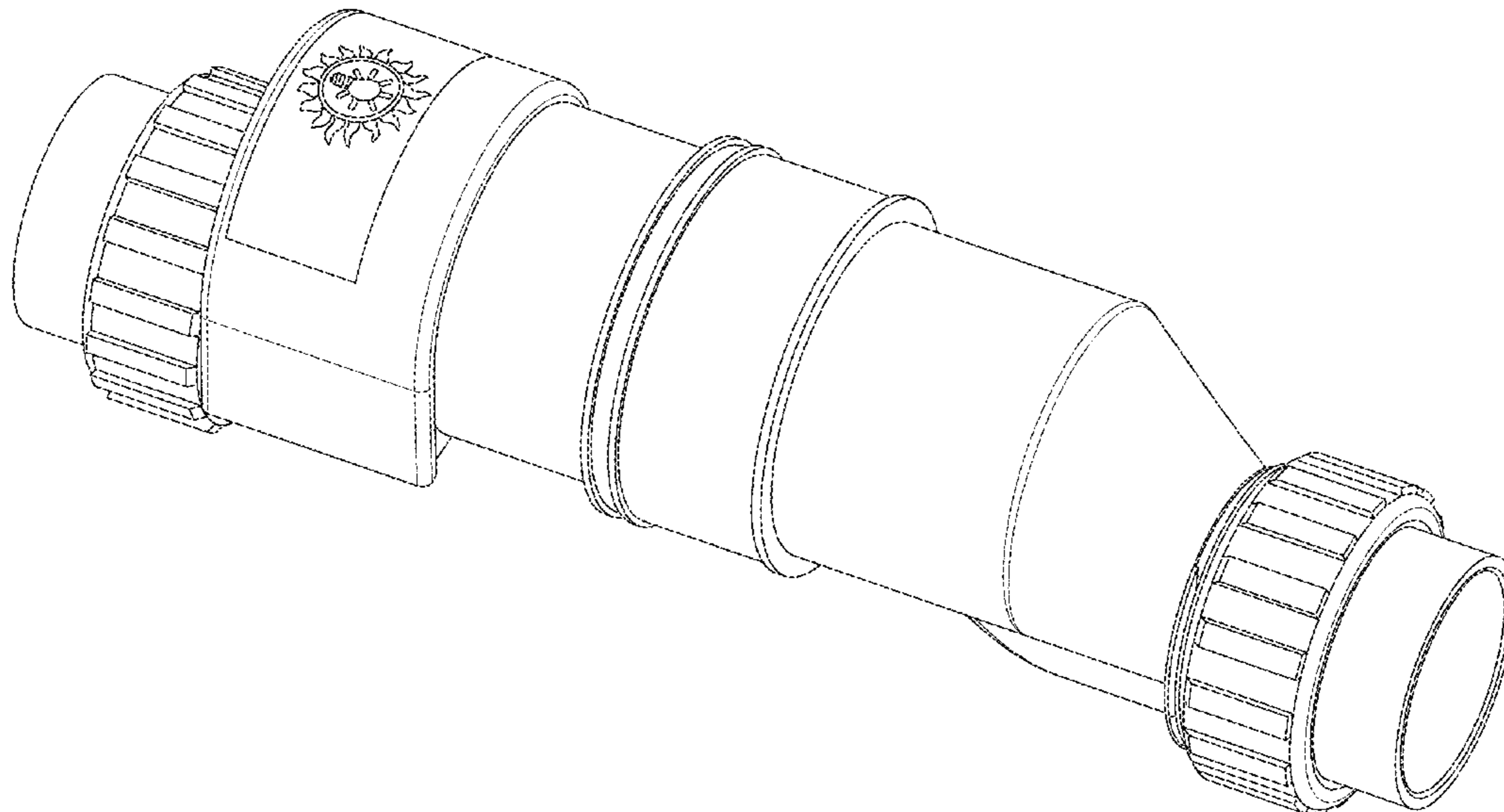
(57) **CLAIM**

The ornamental design for a chlorinator cell, as shown and described.

DESCRIPTION

FIG. 1 is a front side perspective view of a chlorinator cell, showing my new design;
FIG. 2 is a right side view thereof;
FIG. 3 is left side view thereof;
FIG. 4 is a top view thereof;
FIG. 5 is a bottom view thereof;
FIG. 6 is a front perspective view thereof; and,
FIG. 7 is a rear perspective view thereof.
The broken lines depict portions of the chlorinator cell that are for illustrative purposes only and form no part of the claimed invention.

1 Claim, 7 Drawing Sheets



(56)

References Cited

U.S. PATENT DOCUMENTS

D758,552 S * 6/2016 Rexach D23/255
 D797,257 S * 9/2017 Potter D23/255
 D802,091 S * 11/2017 Bahler D23/213
 D805,611 S * 12/2017 Rexach D23/257
 D842,429 S * 3/2019 Huang D23/213
 D842,430 S * 3/2019 Huang D23/213
 D847,951 S * 5/2019 Zhang D23/238
 D866,707 S * 11/2019 Eads D23/213
 D866,708 S * 11/2019 Bahler D23/213
 D867,522 S * 11/2019 Tentler D23/213
 D867,523 S * 11/2019 Tentler D23/213
 D867,524 S * 11/2019 Tentler D23/213
 D867,525 S * 11/2019 Eads D23/213
 D867,527 S * 11/2019 Eads D23/213
 D867,569 S * 11/2019 Yamaguchi D23/366
 D870,234 S * 12/2019 Judge D23/213
 D870,845 S * 12/2019 Eads D23/213
 D874,613 S * 2/2020 Park D23/238
 10,737,951 B2 * 8/2020 Miller H04W 4/38

D905,198 S * 12/2020 Kemmer D23/209
 D950,007 S * 4/2022 Hui D23/208
 2005/0077190 A1 * 4/2005 Djordjevic C02F 1/4674
 205/705
 2007/0252022 A1 * 11/2007 Benstead B05B 1/1618
 239/590.5
 2016/0136659 A1 * 5/2016 Erickson B05B 1/1618
 239/443
 2021/0255081 A1 * 8/2021 Myers G01N 1/2208

OTHER PUBLICATIONS

Zodiac R0452400 3-Port Cell Replacement Kit, Aug. 7, 2014, amazon.ca, Feb. 24, 2022, URL: <https://www.amazon.ca/Zodiac-R0452400-Replacement-APURE1400-Purification/dp/B008E6JPU8/> (Year: 2014).*

Pentair IC40 IntelliChlor Salt Chlorinator Sanitizer Cell, Oct. 25, 2012, amazon.ca, Feb. 24, 2022, URL: <https://www.amazon.ca/Pentair-IC40-IntelliChlor-Chlorinator-Sanitizer/dp/B001DSLH4/> (Year: 2012).*

* cited by examiner

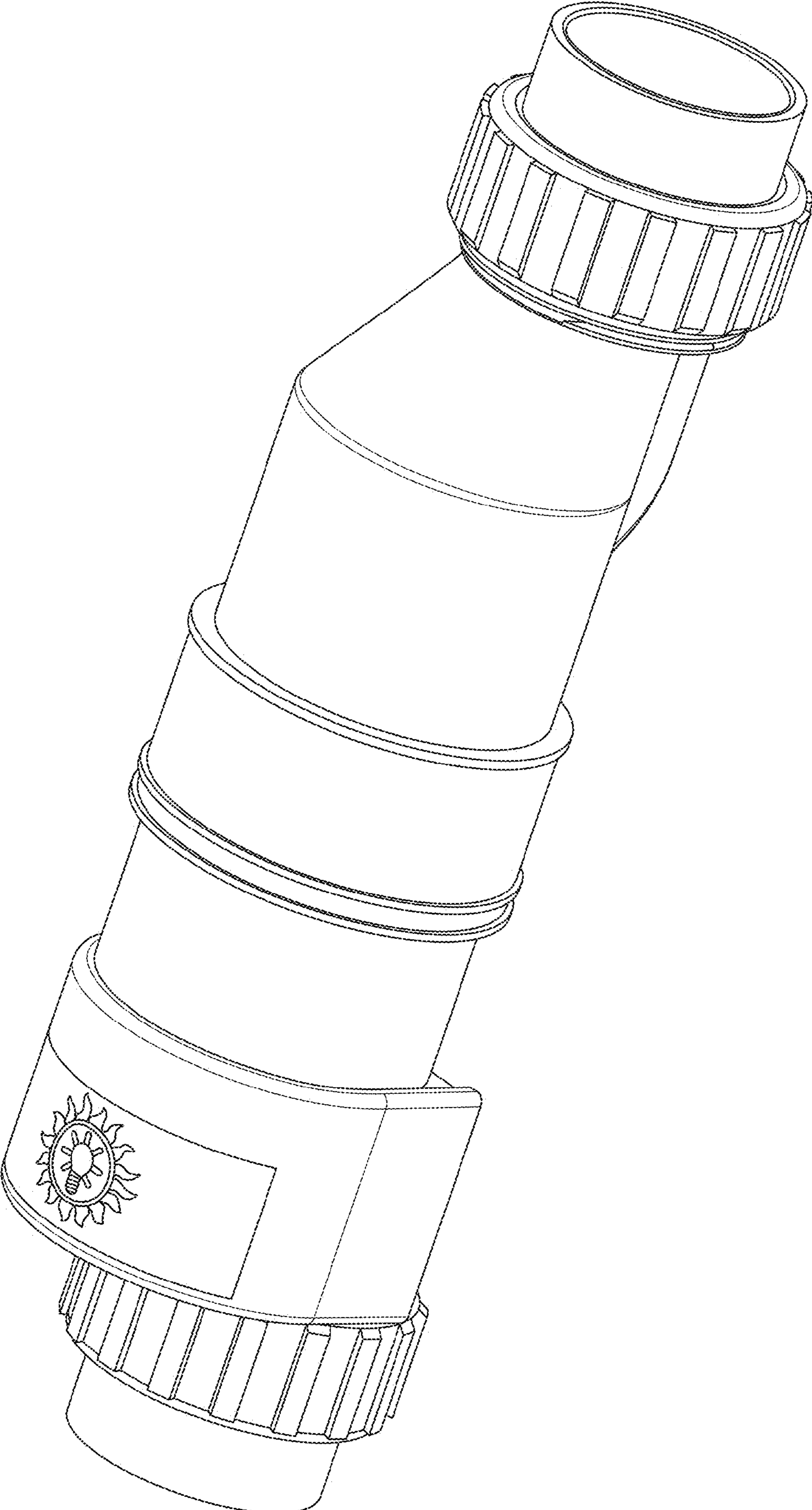


FIG. 1

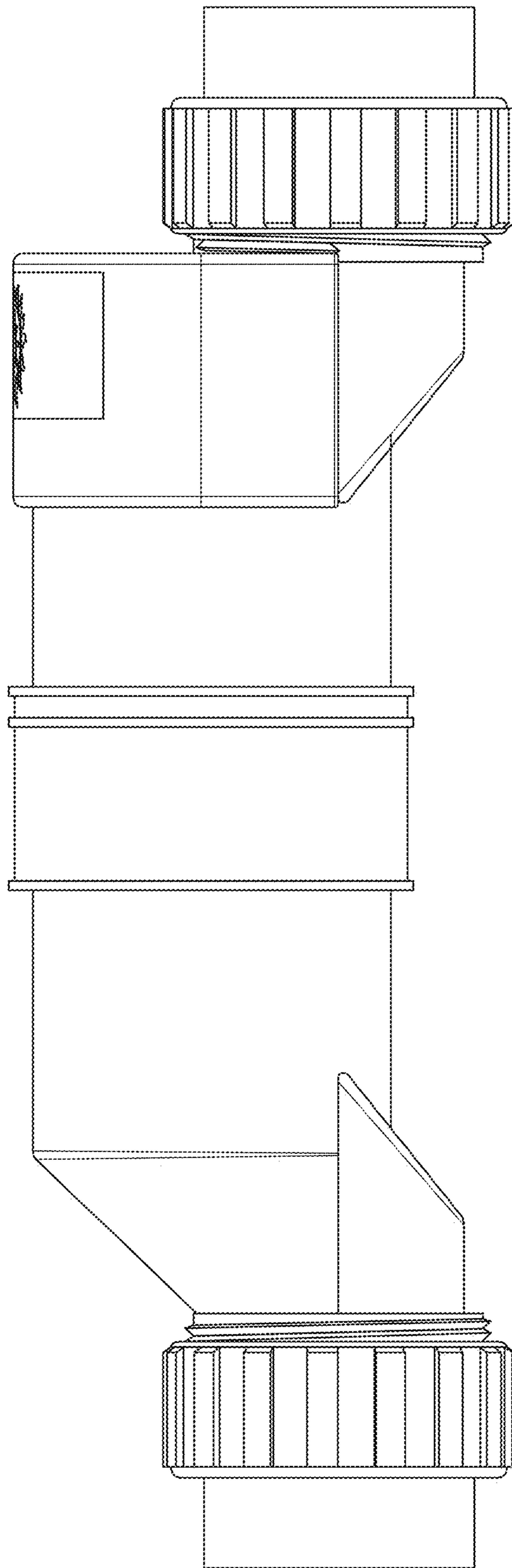


FIG. 2

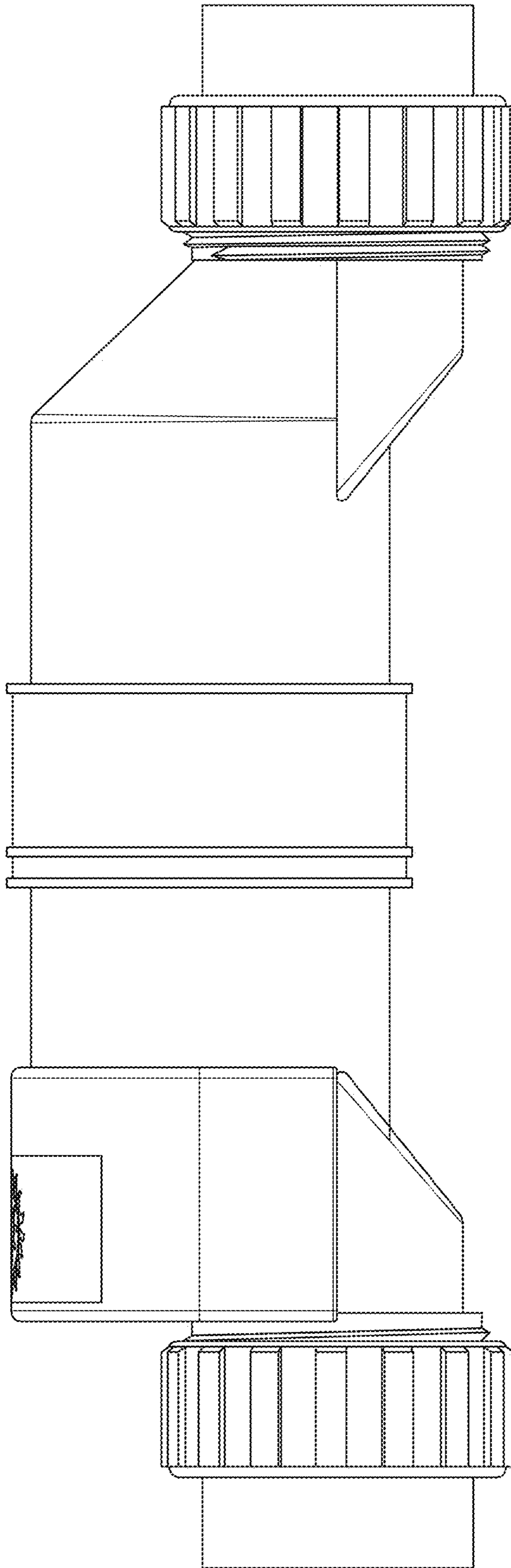


FIG. 3

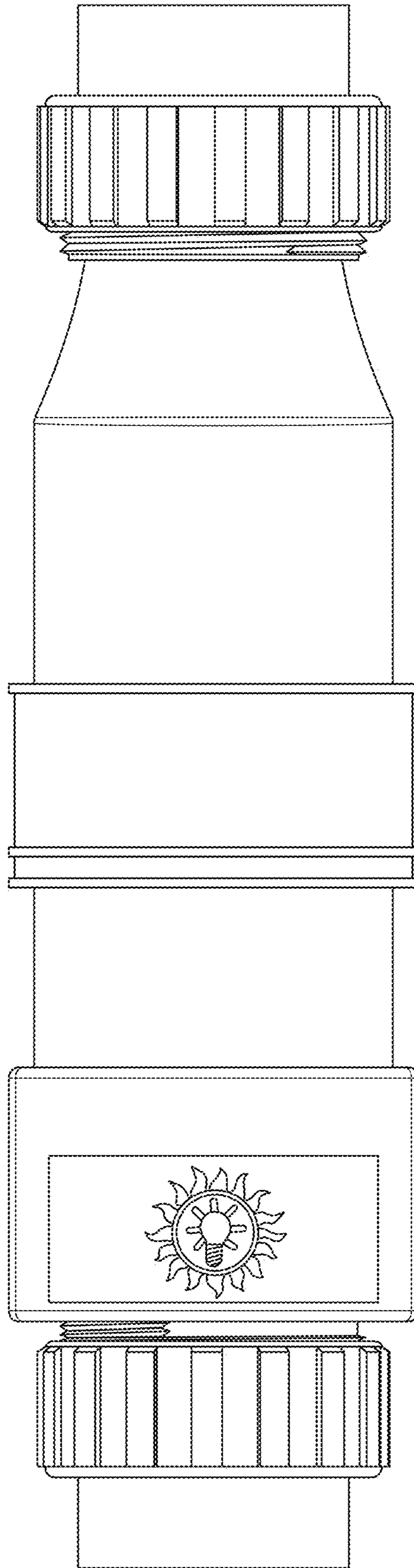


FIG. 4

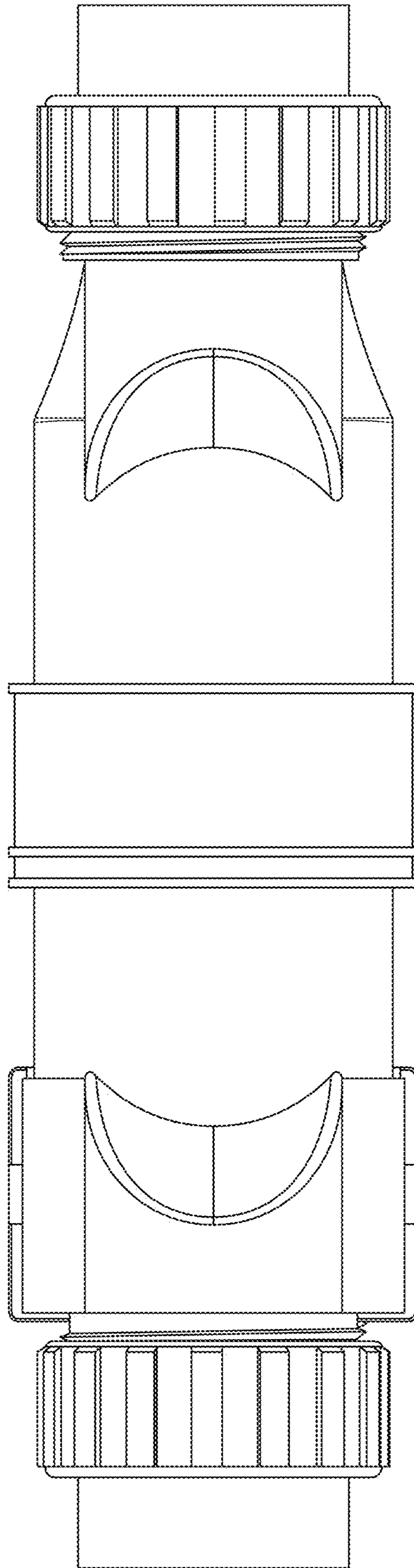


FIG. 5

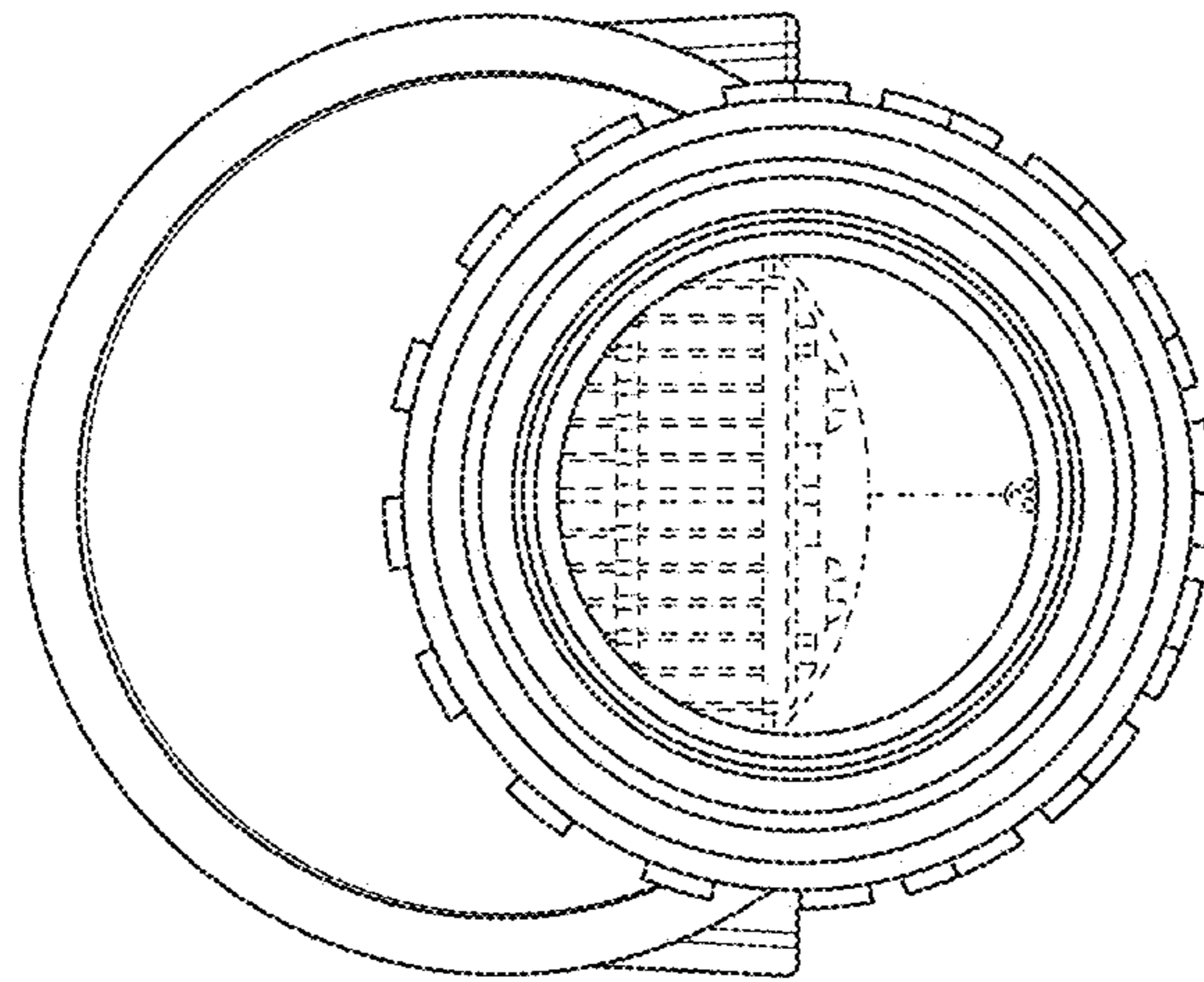


FIG. 6

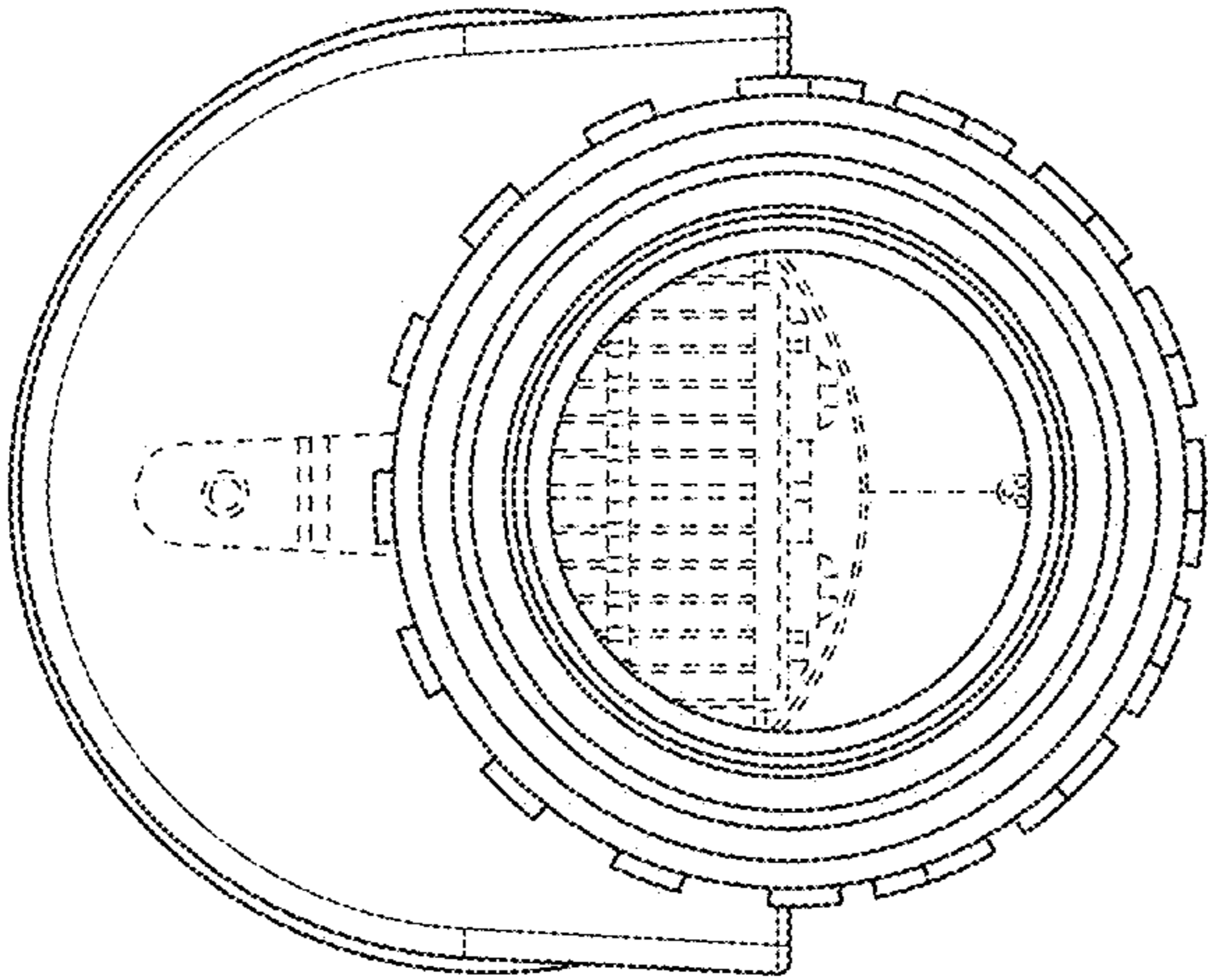


FIG. 7