



US00D977059S

(12) **United States Design Patent**
Umezawa et al.

(10) **Patent No.:** **US D977,059 S**
(45) **Date of Patent:** **** Jan. 31, 2023**

(54) **FISHING REEL**

(71) Applicant: **GLOBERIDE, Inc.**, Tokyo (JP)

(72) Inventors: **Yuichi Umezawa**, Tokyo (JP); **Makoto Tomita**, Tokyo (JP); **Daisuke Higuchi**, Tokyo (JP)

(73) Assignee: **GLOBERIDE, Inc.**, Tokyo (JP)

(**) Term: **15 Years**

(21) Appl. No.: **29/771,417**

(22) Filed: **Feb. 23, 2021**

(30) **Foreign Application Priority Data**

Sep. 9, 2020 (JP) 2020-019274 D

(51) **LOC (14) Cl.** **22-05**

(52) **U.S. Cl.**
USPC **D22/140; D22/141**

(58) **Field of Classification Search**
USPC D22/137-141
CPC A01K 89/01; A01K 81/00; A01K 89/06;
A01K 89/015; A01K 89/016; F41B
5/1484

See application file for complete search history.

(56) **References Cited**

U.S. PATENT DOCUMENTS

| | | | | | |
|-----------|------|---------|----------|-------|-------------|
| 4,762,290 | A * | 8/1988 | Emura | | A01K 97/06 |
| | | | | | 242/223 |
| D324,408 | S * | 3/1992 | Kameda | | D22/140 |
| D346,006 | S * | 4/1994 | Sakurai | | D22/140 |
| D349,324 | S * | 8/1994 | Roberts | | D22/140 |
| D400,639 | S * | 11/1998 | Ito | | D22/140 |
| D595,806 | S * | 7/2009 | Nago | | D22/140 |
| 8,695,909 | B2 * | 4/2014 | Niitsuma | | A01K 89/006 |
| | | | | | 242/310 |

| | | | | | |
|------------|------|---------|------------|-------|---------------|
| D731,613 | S * | 6/2015 | Kano | | D22/140 |
| 9,095,129 | B2 * | 8/2015 | Niitsuma | | A01K 89/01555 |
| 9,210,922 | B2 * | 12/2015 | Nakagawa | | A01K 89/015 |
| 9,615,555 | B2 * | 4/2017 | Ikebukuro | | A01K 89/015 |
| 10,856,536 | B2 * | 12/2020 | Bin Ismail | | A01K 89/0192 |
| 10,966,418 | B2 * | 4/2021 | Oogose | | A01K 89/051 |

FOREIGN PATENT DOCUMENTS

| | | | |
|----|-------------|---|---------|
| CN | 303114543 | * | 8/2017 |
| JP | D2017-10028 | * | 5/2017 |
| JP | D2019-23776 | * | 10/2019 |

OTHER PUBLICATIONS

2021JDMDAIWAPreview:Newzillion, posted Nov. 25, 2020 [online], [retrieved Sep. 19, 2022]. Retrieved from internet, <https://www.youtube.com/watch?v=zcb1346Mkls> (Date:2022) (Year: 2020).*

(Continued)

Primary Examiner — Christian P. McLean
Assistant Examiner — Kristopher Michael Blechschmidt
(74) *Attorney, Agent, or Firm* — K&L Gates LLP

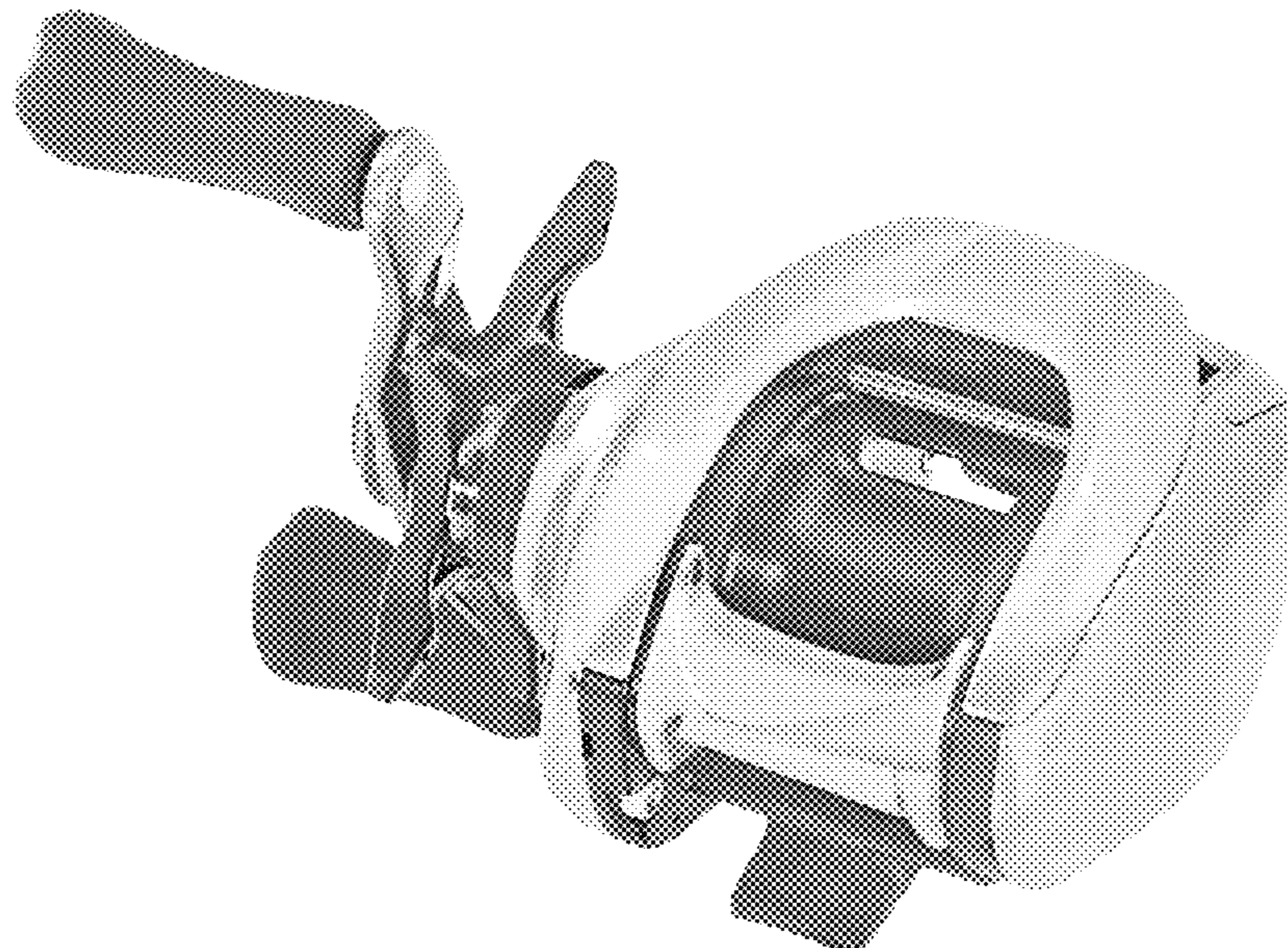
(57) **CLAIM**

The ornamental design for a fishing reel, as shown and described.

DESCRIPTION

FIG. 1 is a top, front, right perspective view showing our new design;
FIG. 2 is a top, rear, left perspective view thereof;
FIG. 3 is a bottom, front, right perspective view thereof;
FIG. 4 is a bottom, rear, left perspective view thereof;
FIG. 5 is a front elevational view thereof;
FIG. 6 is a rear elevational view thereof;
FIG. 7 is a top plan view thereof;
FIG. 8 is a bottom plan view thereof;
FIG. 9 is a right elevational view thereof; and,
FIG. 10 is a left elevational view thereof.

1 Claim, 10 Drawing Sheets



(56)

References Cited

OTHER PUBLICATIONS

CustomProBaitcastReel2ndGen, posted unknown [online], [retrieved Sep. 19, 2022], Retrieved from internet, <https://www.lews.com/en/shop/reels/casting/cpbc> (Date:2022) (Year: 2022).*

CadenceEssenceLowProfile, posted Apr. 13, 2021 [online], [retrieved Sep. 19, 2022], Retrieved from internet, https://www.amazon.com/dp/B0912QP1L7/ref=sspa_dk_detail_1?psc=1&pd_rd_i=B0912QP1L7&pd_rd_w=cuKT0&content (Date:2022) (Year: 2021).*

NotJust ForSaltwater, posted Apr. 9, 2010 [online], [retrieved Sep. 19, 2022], Retrieved from internet, <http://www.tackletour.com/reviewdaiwazillioncoastal.html> (Date:2022) (Year: 2010).*

* cited by examiner

FIG. 1

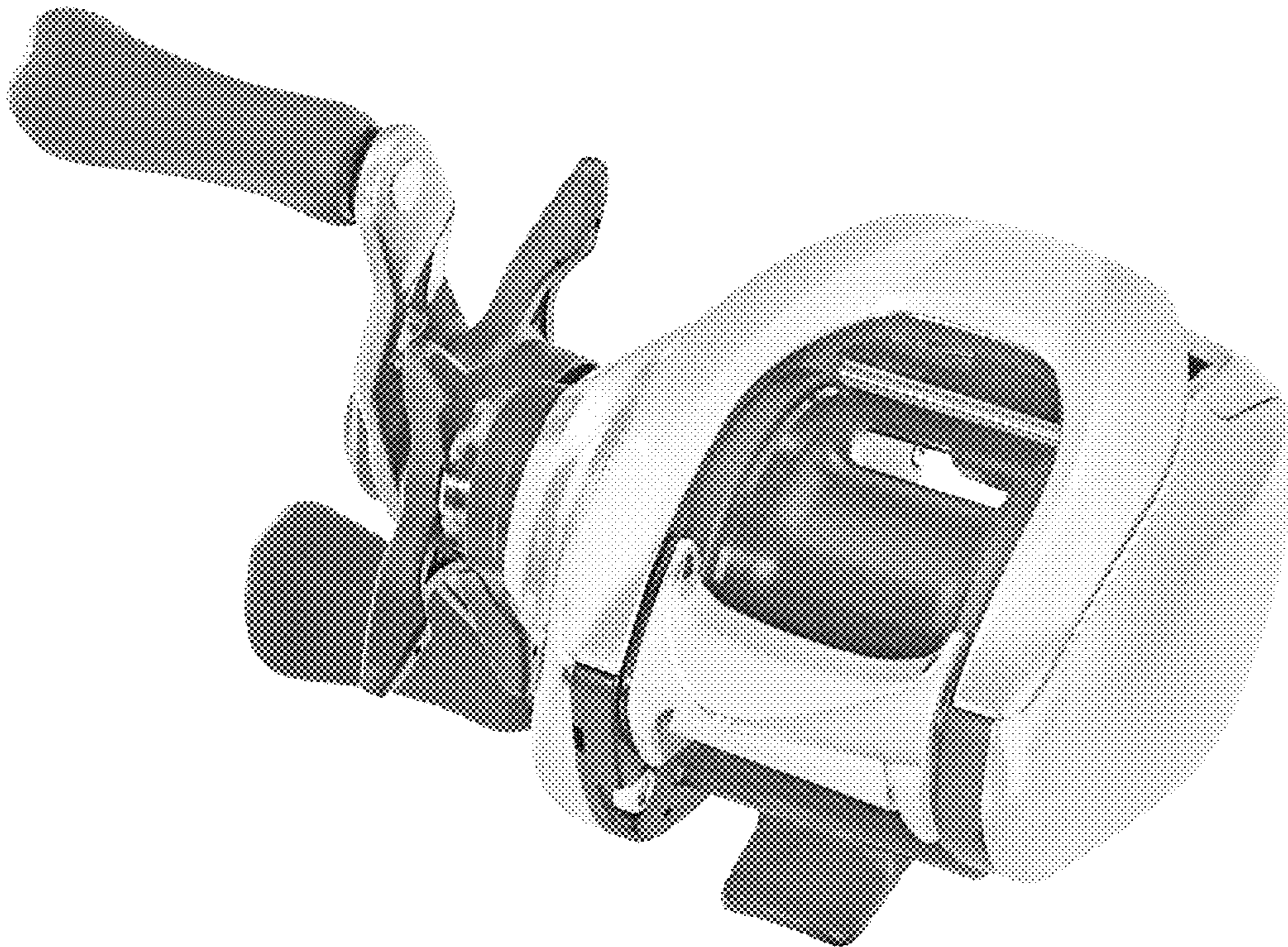


FIG. 2

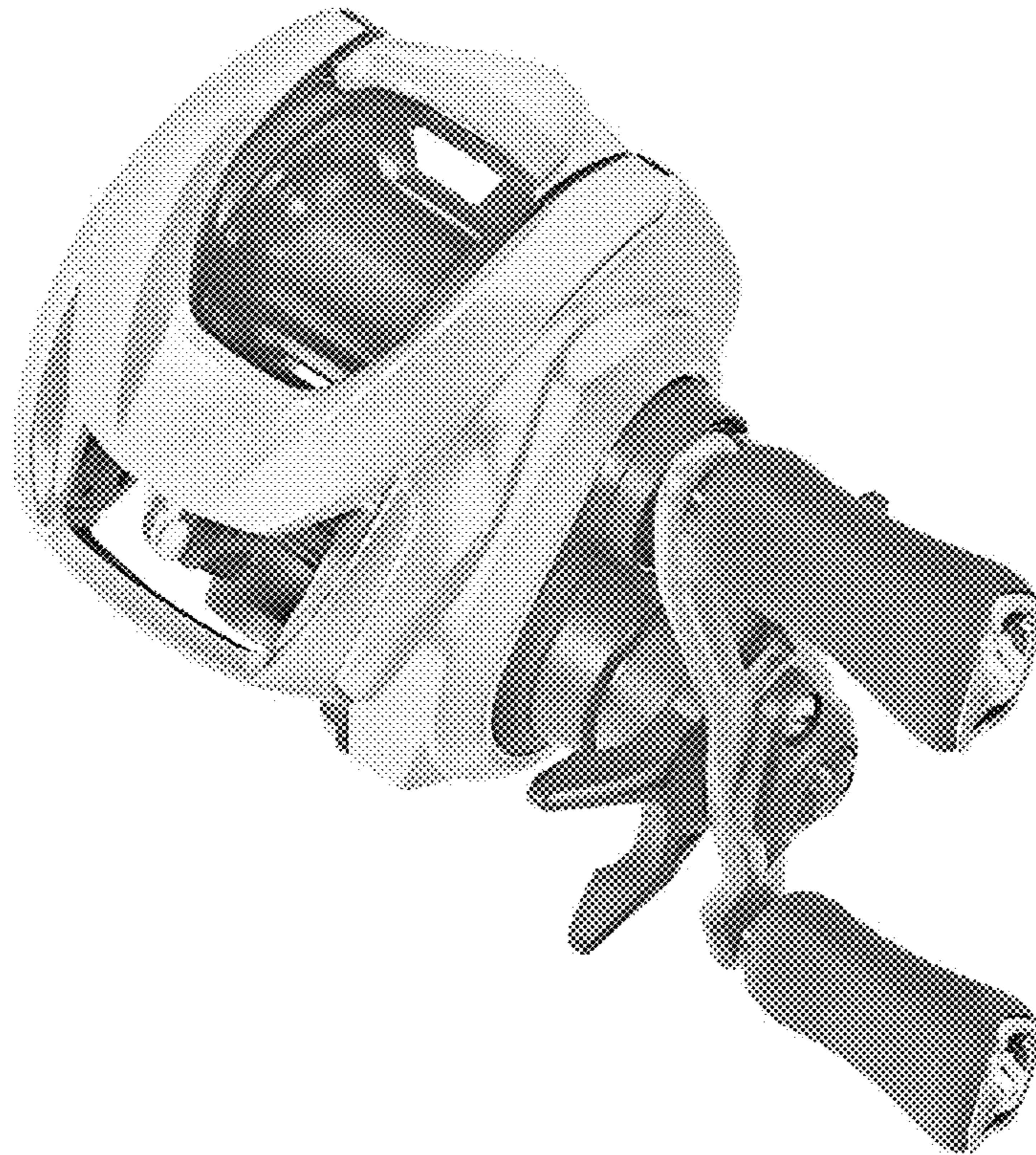


FIG. 3

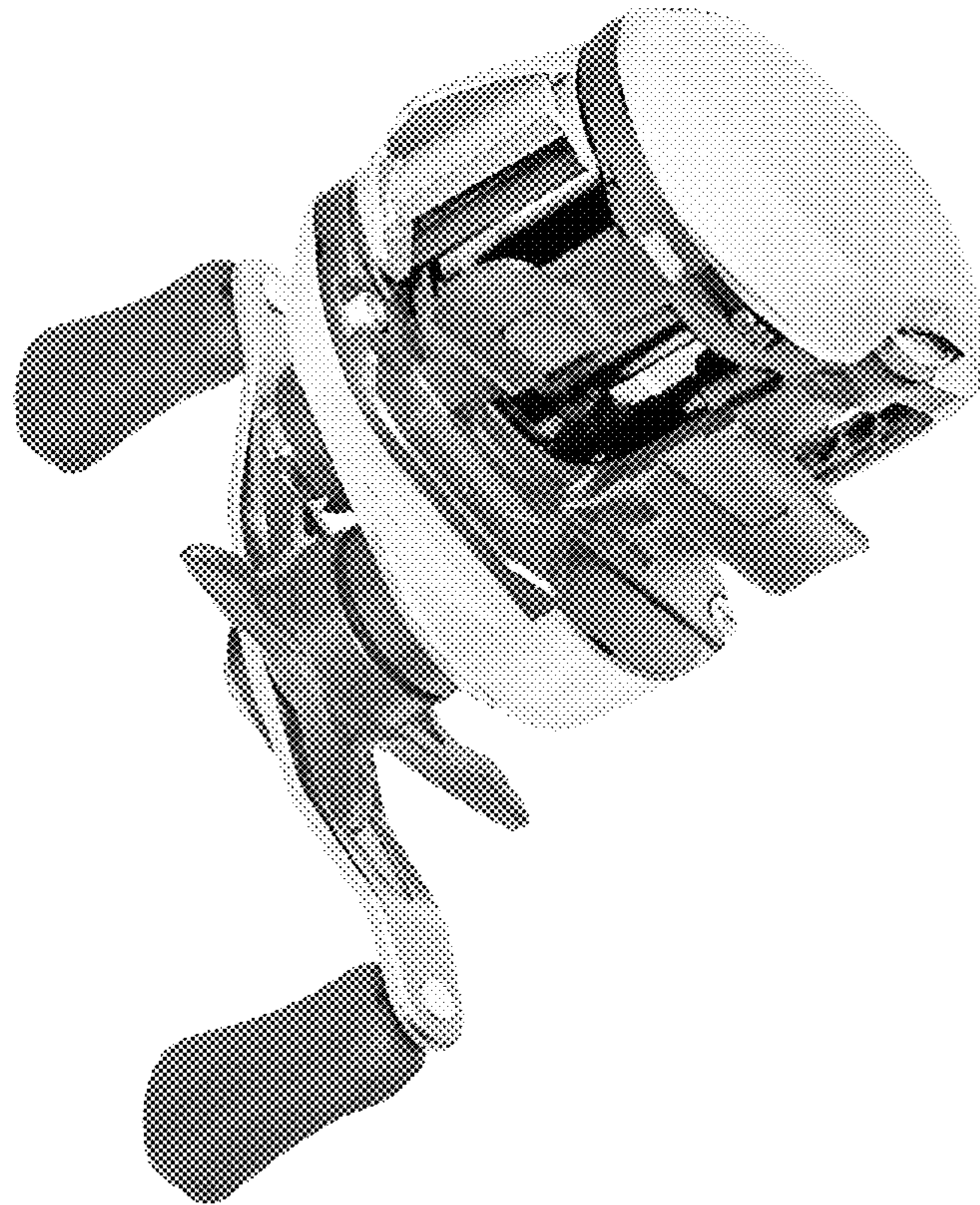


FIG. 4

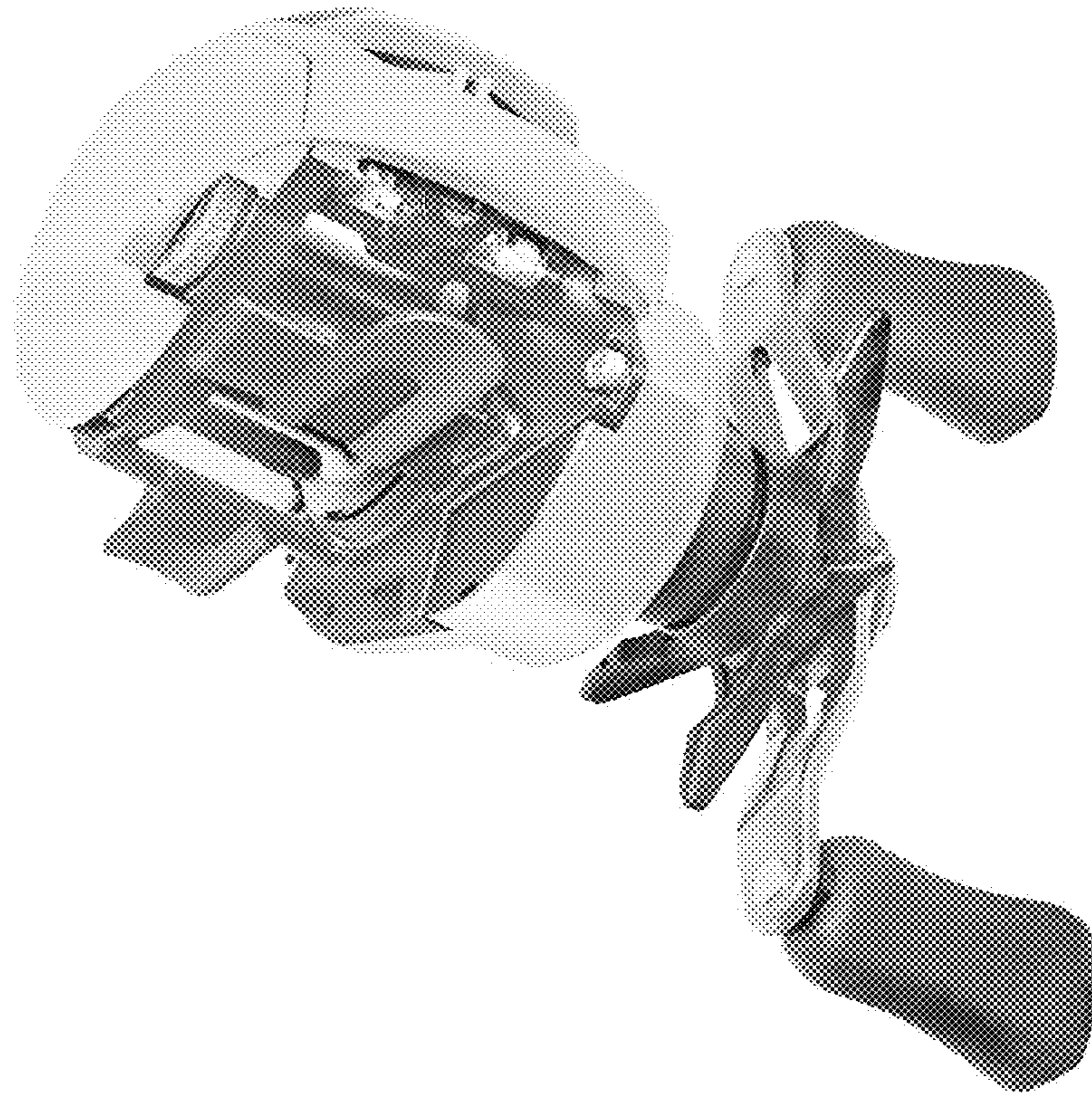


FIG. 5

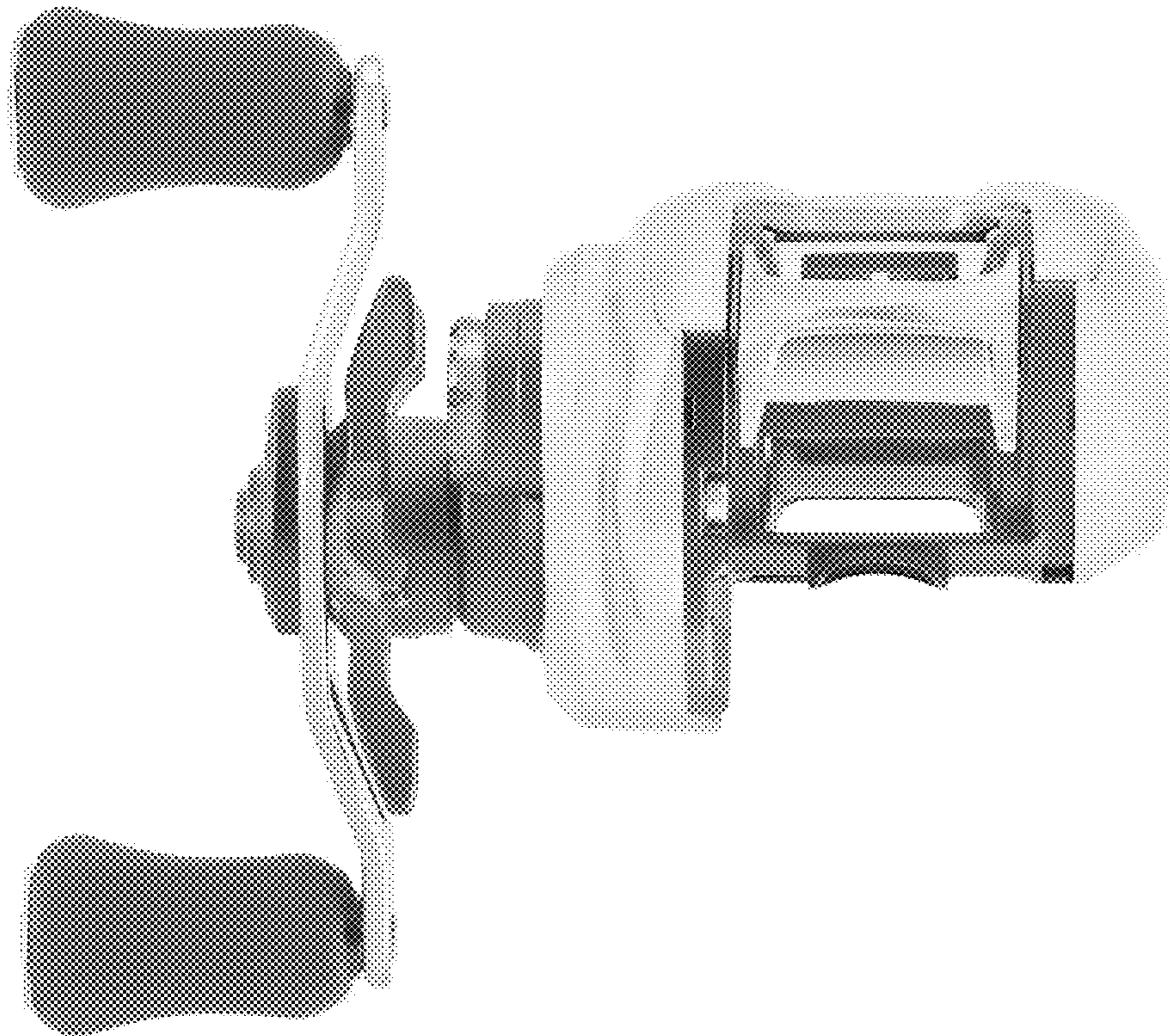


FIG. 6

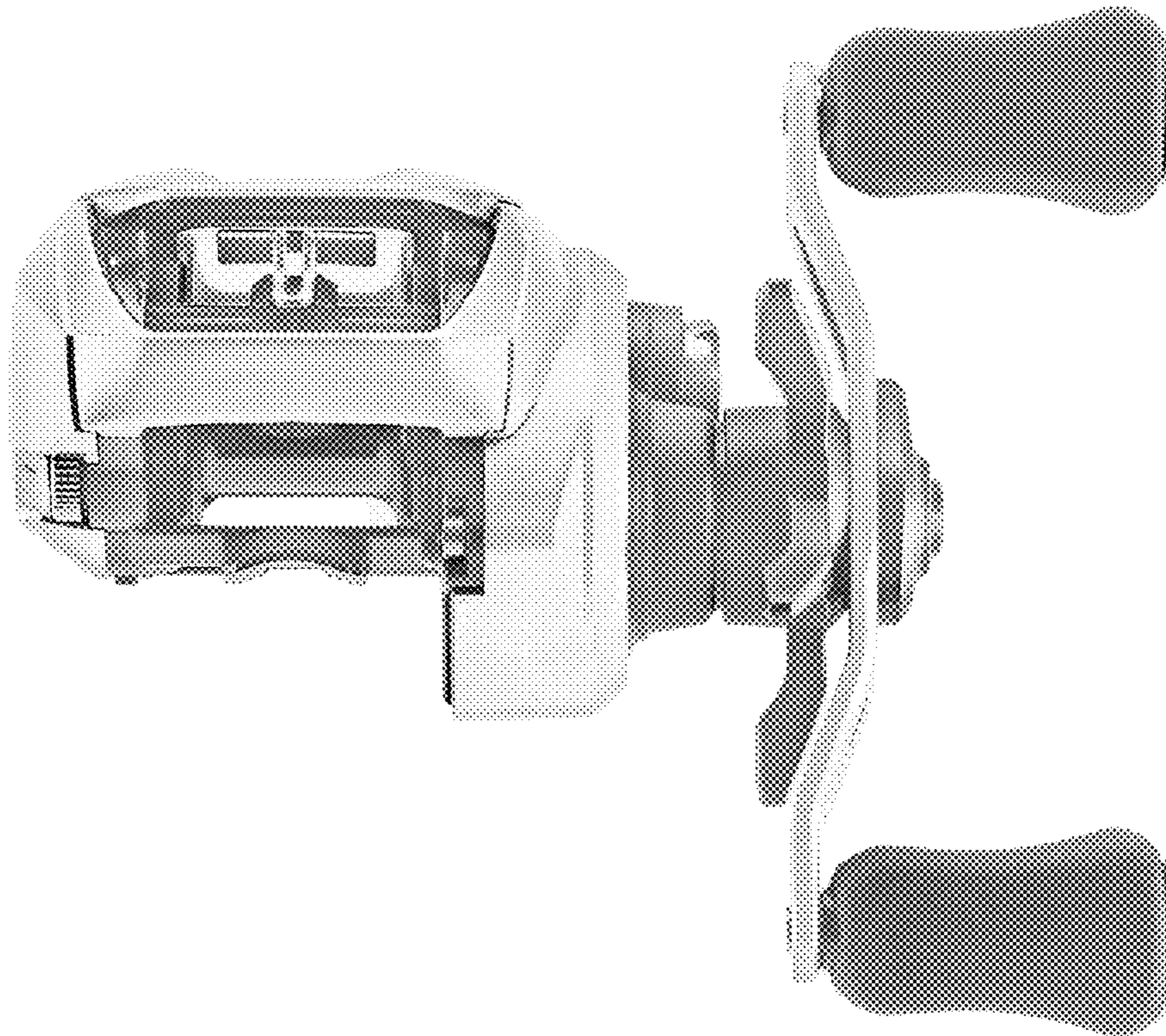


FIG. 7

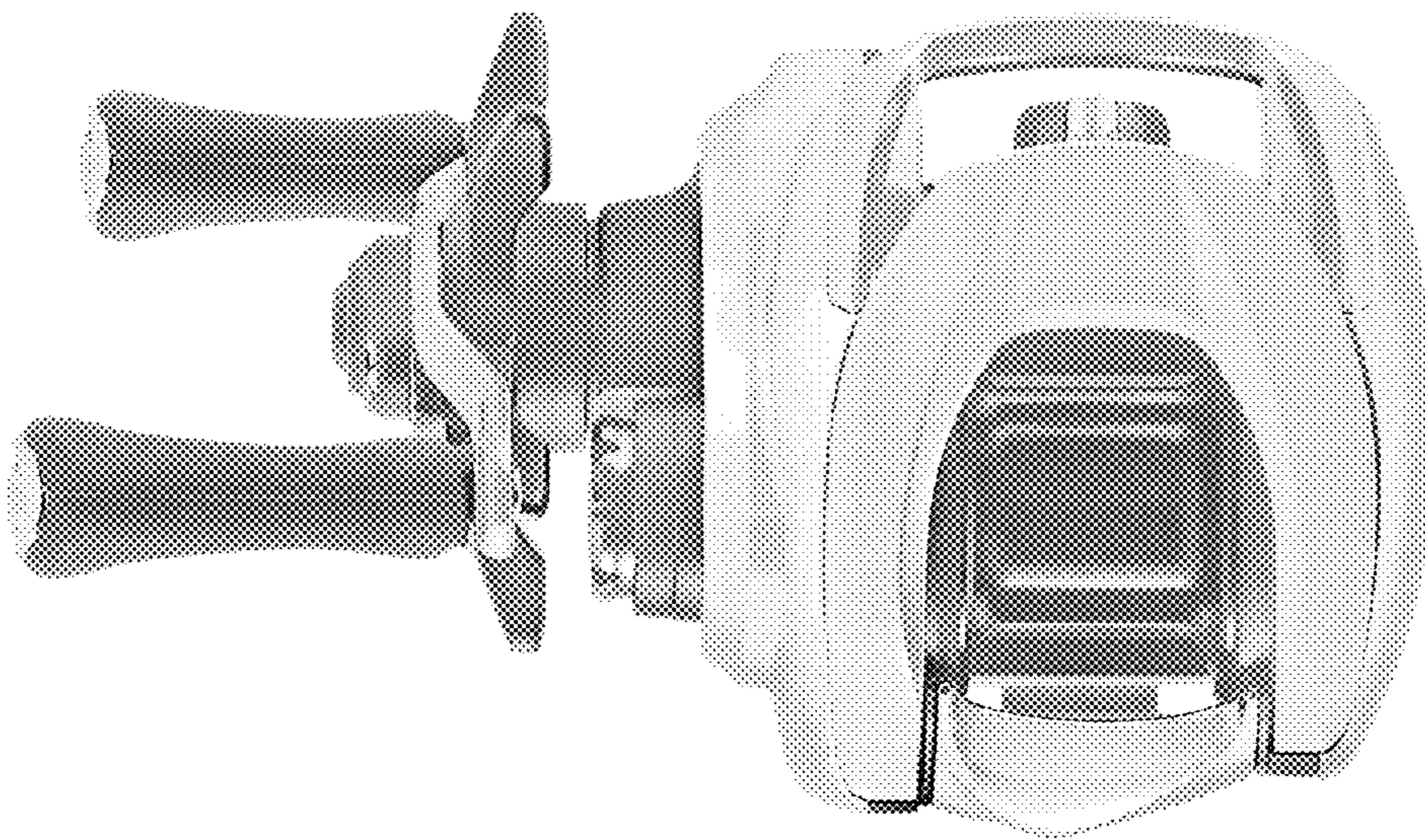


FIG. 8

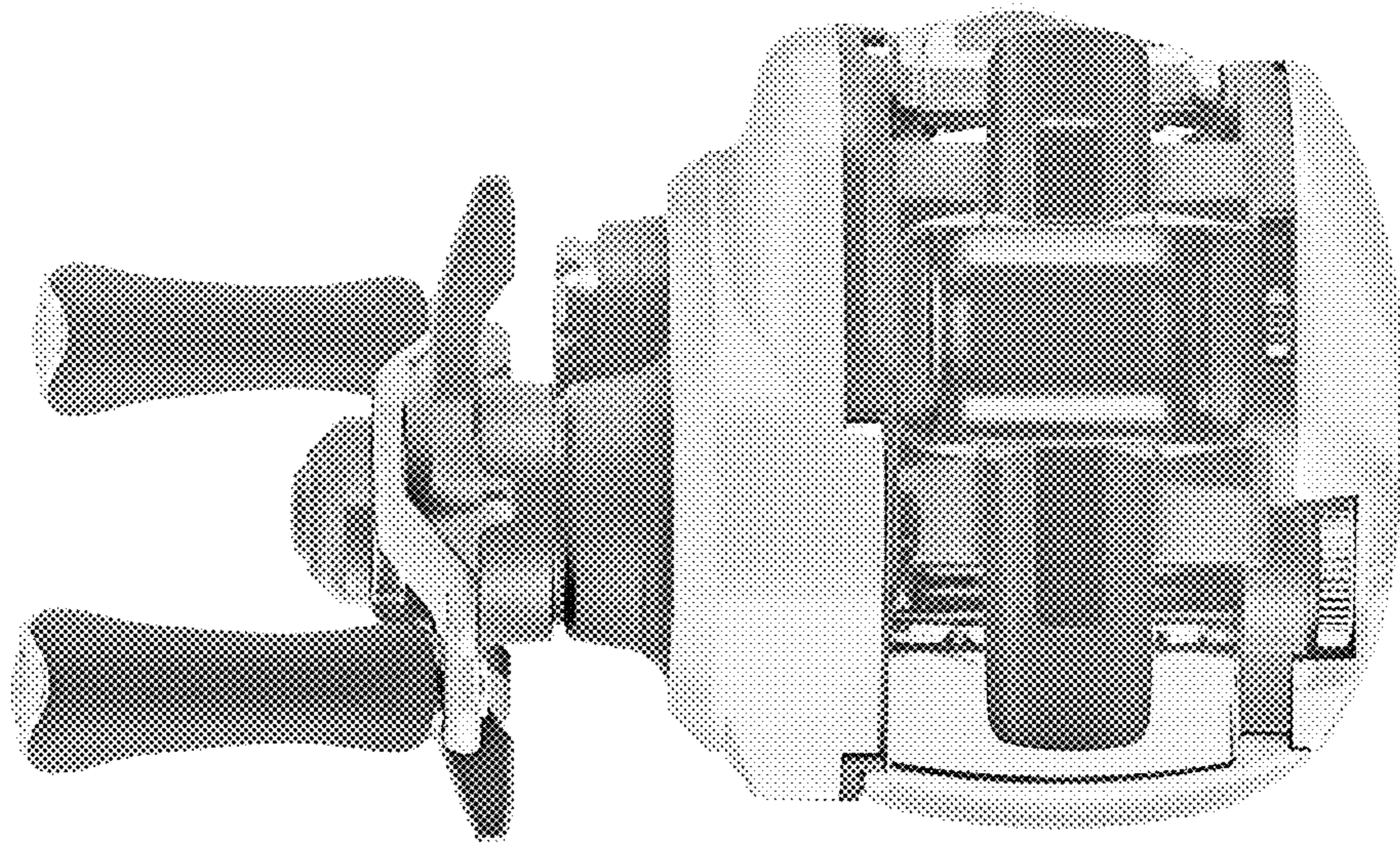


FIG. 9

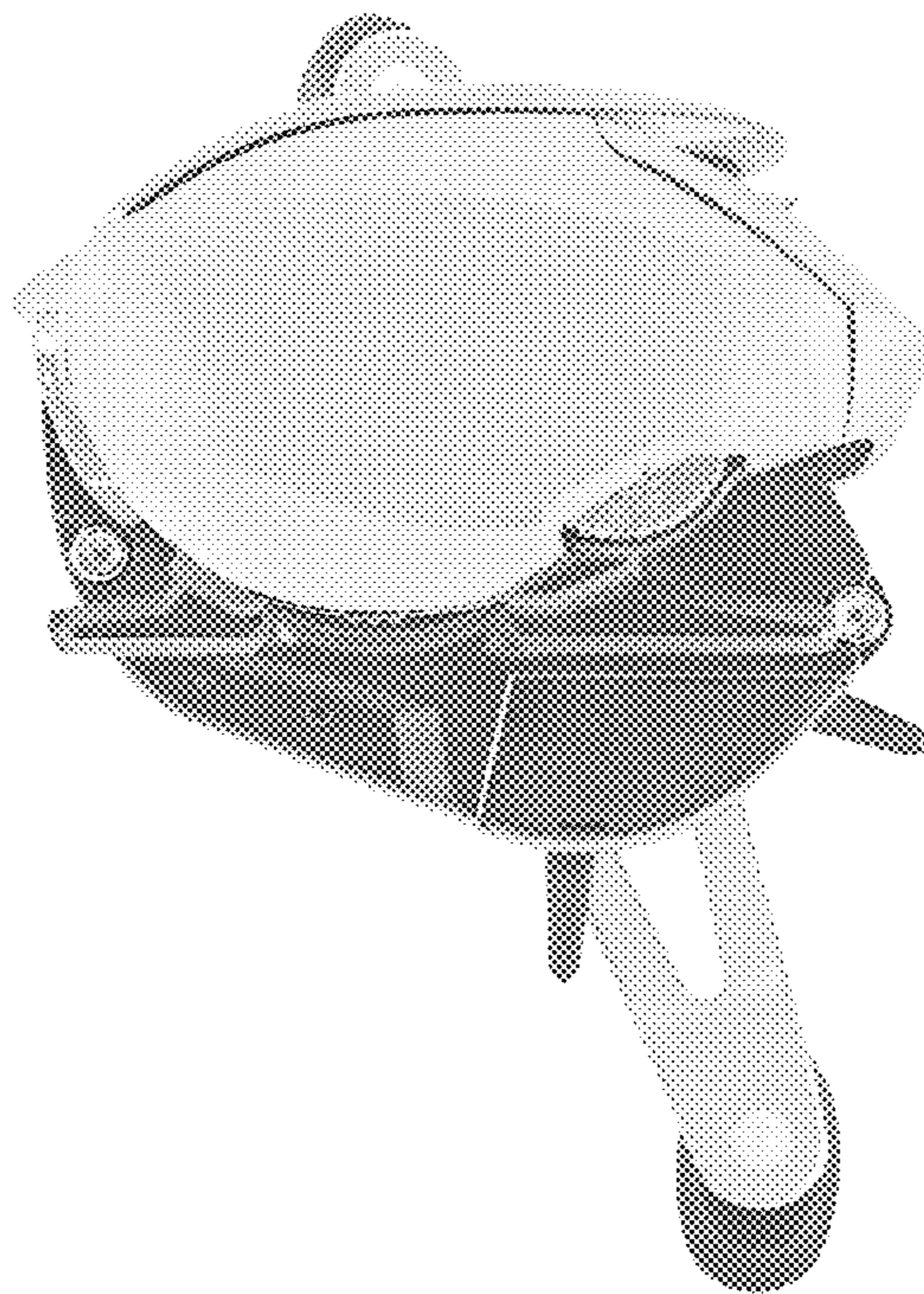


FIG. 10

