



US00D977057S

(12) **United States Design Patent**
Yuan

(10) **Patent No.:** **US D977,057 S**
(45) **Date of Patent:** **** Jan. 31, 2023**

(54) **REPELLENT FAN**

(71) Applicant: **Zheng Yuan**, Huangshi (CN)

(72) Inventor: **Zheng Yuan**, Huangshi (CN)

(**) Term: **15 Years**

(21) Appl. No.: **29/817,036**

(22) Filed: **Nov. 29, 2021**

(51) **LOC (14) Cl.** **22-06**

(52) **U.S. Cl.**

USPC **D22/122**; D23/377; D23/379

(58) **Field of Classification Search**

USPC D23/370, 377-382, 385; D22/119, 120,
D22/122-124

CPC A01M 1/24; A01M 5/00; A01M 29/06;
A01M 29/34

See application file for complete search history.

(56) **References Cited**

U.S. PATENT DOCUMENTS

D398,981 S *	9/1998	Wenzell	D23/379
D654,979 S *	2/2012	Smith	D22/122
D847,297 S *	4/2019	Hassman	D22/122
D864,347 S *	10/2019	Li	D22/122
D921,830 S *	6/2021	Liu	D22/120
D948,701 S *	4/2022	Liu	D23/379
D950,675 S *	5/2022	Xu	D22/122
2011/0083359 A1 *	4/2011	Gargiulo	A01M 29/06 43/132.1
2013/0067798 A1 *	3/2013	Keltner	A01M 29/34 43/142

OTHER PUBLICATIONS

Fly Repellent Fan Insect Protection Food Fly Swatter Against Flies Mosquito Repellent Fan Flies and Mosquitoes Repel Insect Fans, date first available Jul. 7, 2021, site visited Sep. 7, 2022, <https://www.amazon.co.uk/Repellent-Protection-Swatter-Mosquito-Mosquitoes/dp/B098TD8LNJ/ref=sr_1_42?crd=34VCIYH79UX7M&keywords=fly+fan&qid=1662570034&sprefix=fly+fan%2Caps%2C185&sr=8-42>.*

* cited by examiner

Primary Examiner — Sharon S Oum

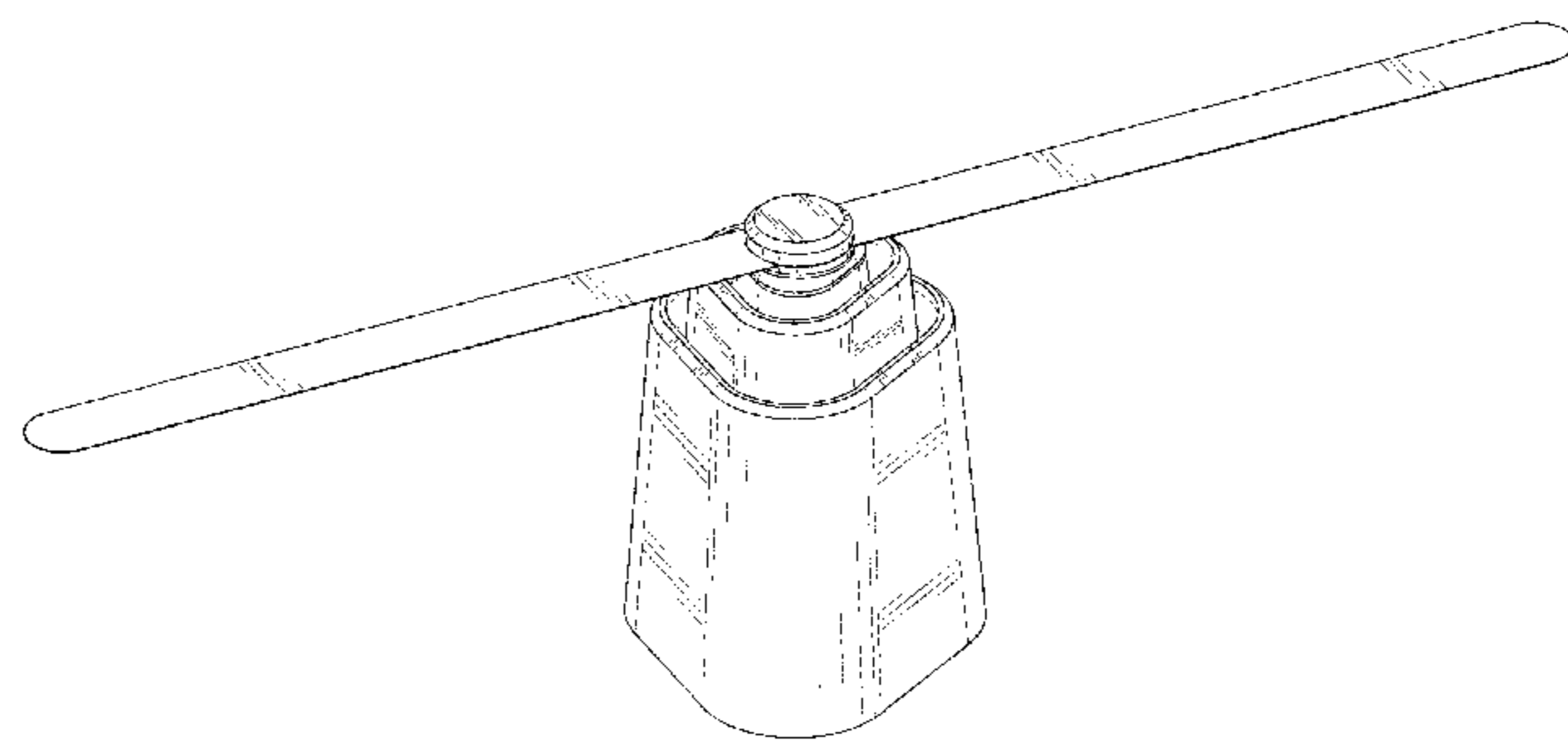
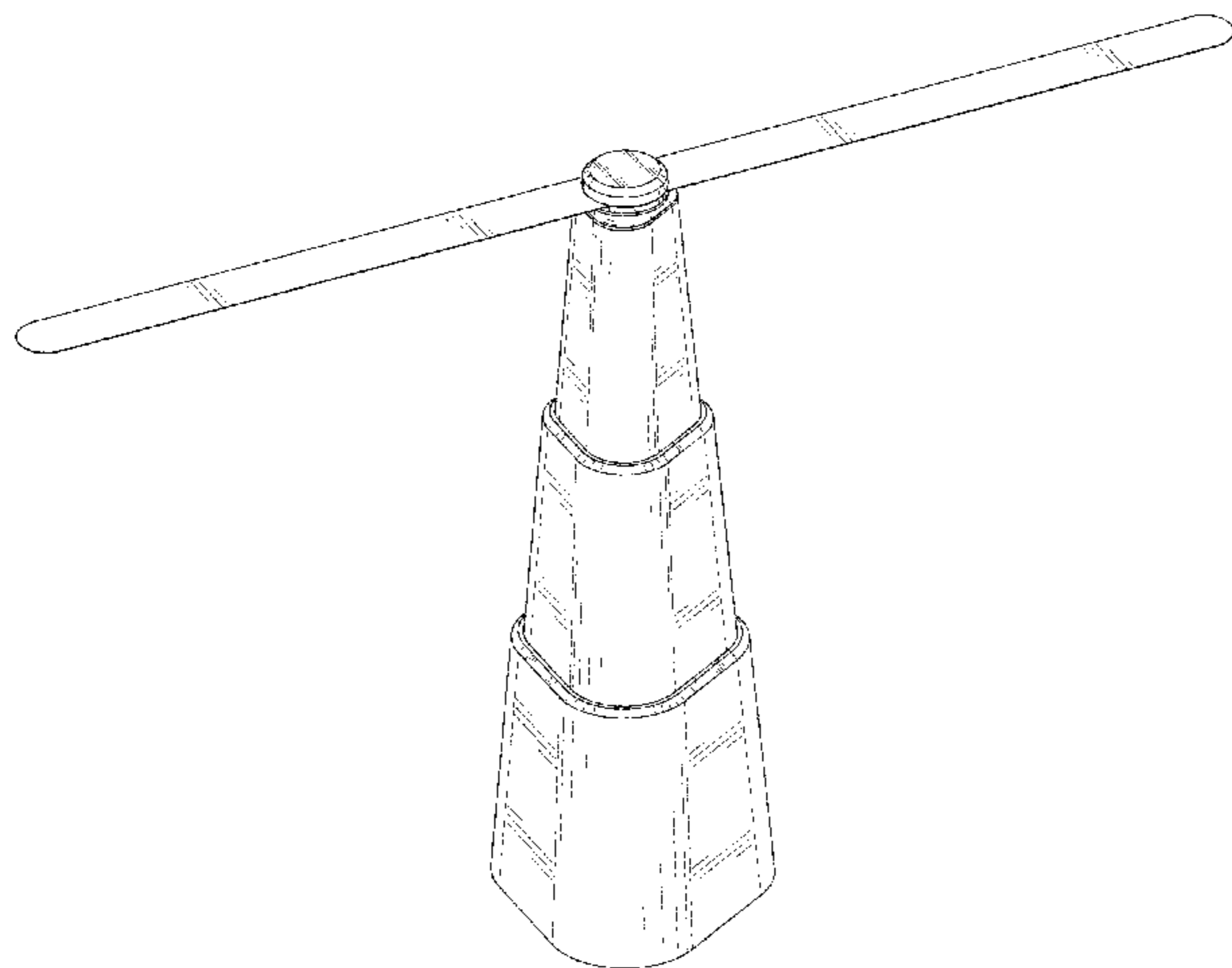
(57) **CLAIM**

The ornamental design for a repellent fan, as shown and described.

DESCRIPTION

FIG. 1 is a perspective view of a repellent fan showing my new design;
FIG. 2 is another perspective view thereof;
FIG. 3 is a front elevational view thereof;
FIG. 4 is a rear elevational view thereof;
FIG. 5 is a left side elevational view thereof;
FIG. 6 is a right side elevational view thereof;
FIG. 7 is a top plan view thereof;
FIG. 8 is a bottom plan view thereof; and,
FIG. 9 is a perspective view of the repellent fan where the repellent fan is in a configuration of use.
The broken lines in the drawings depict portions of the repellent fan that form no part of the claimed design.

1 Claim, 9 Drawing Sheets



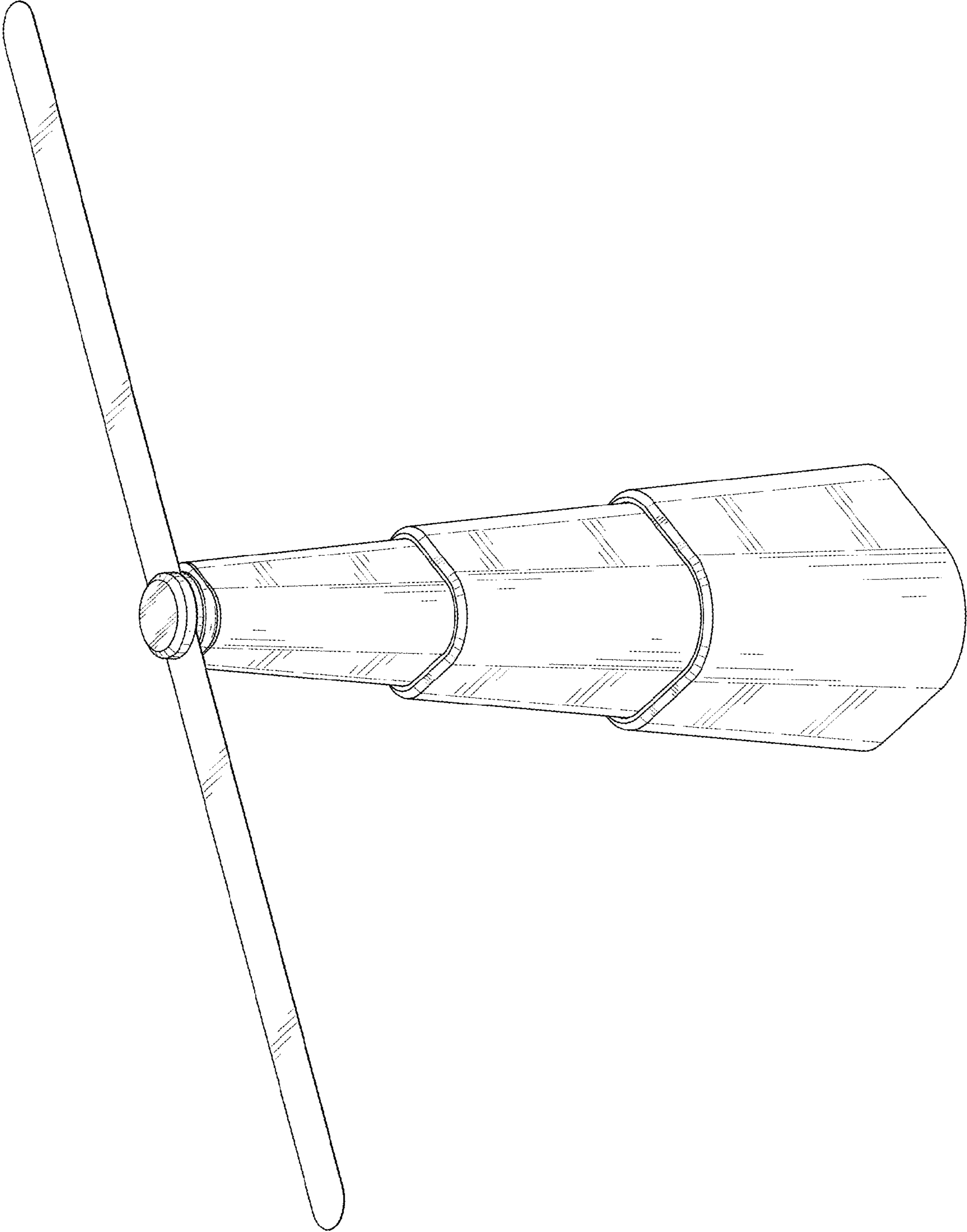


FIG. 1

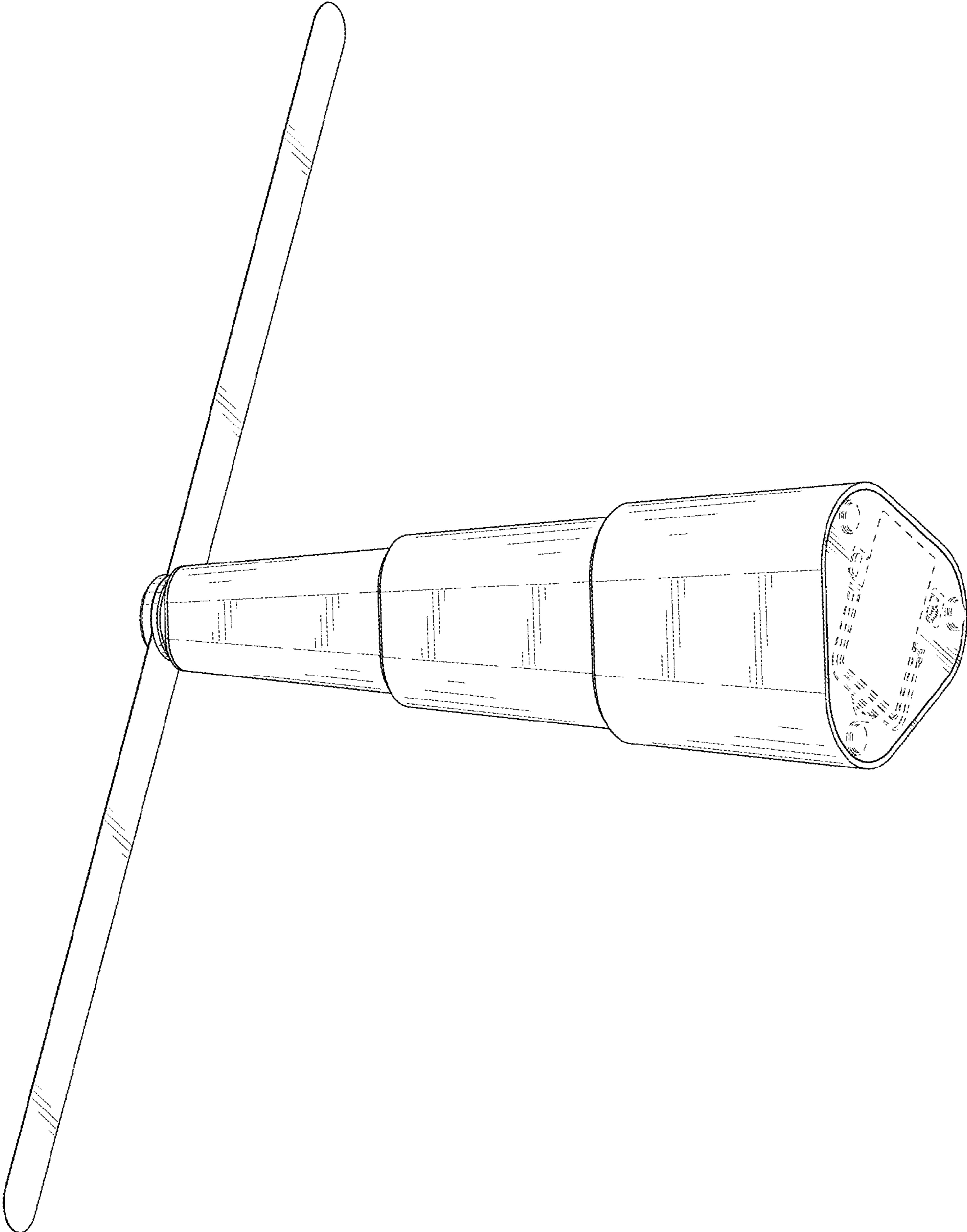


FIG. 2

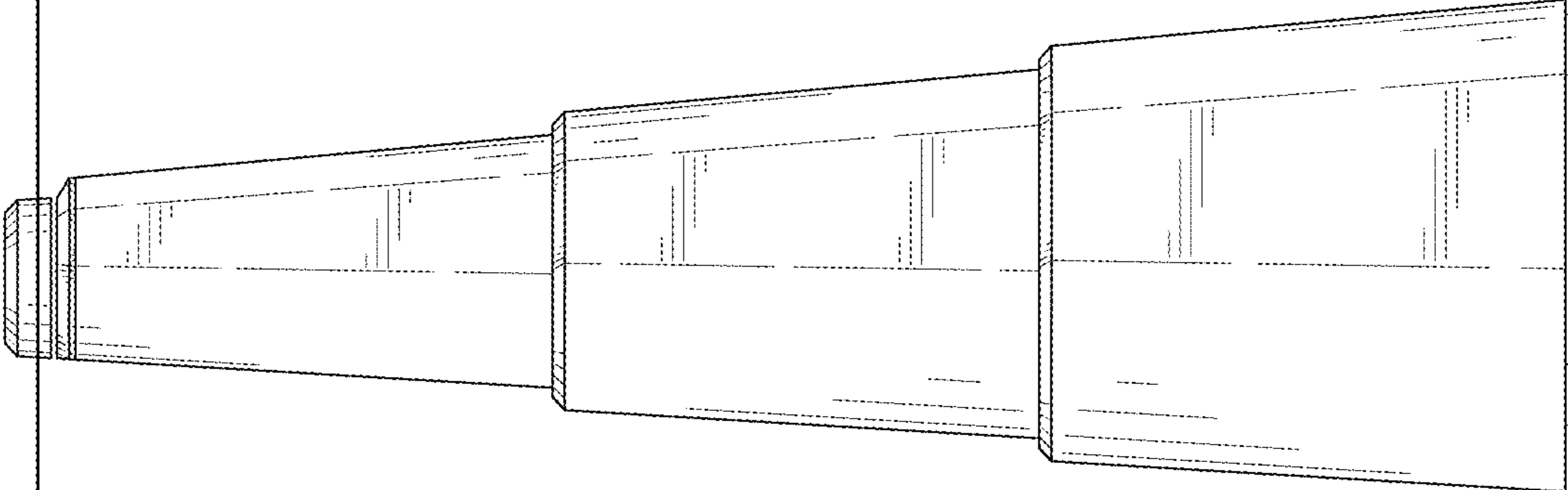


FIG. 3

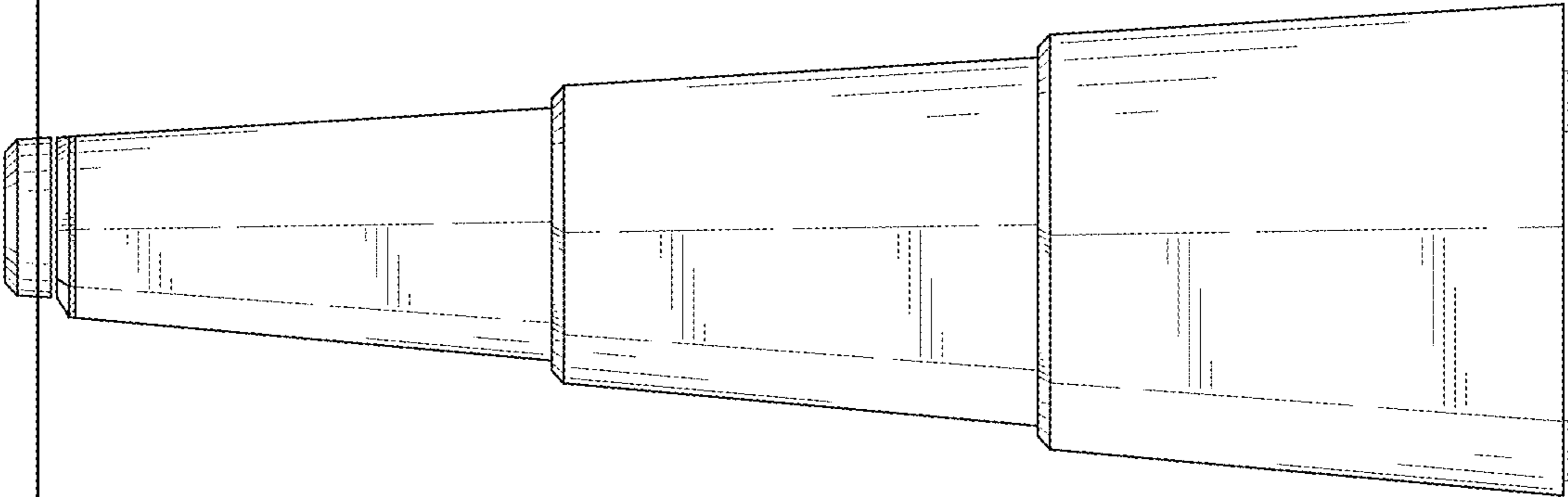


FIG. 4

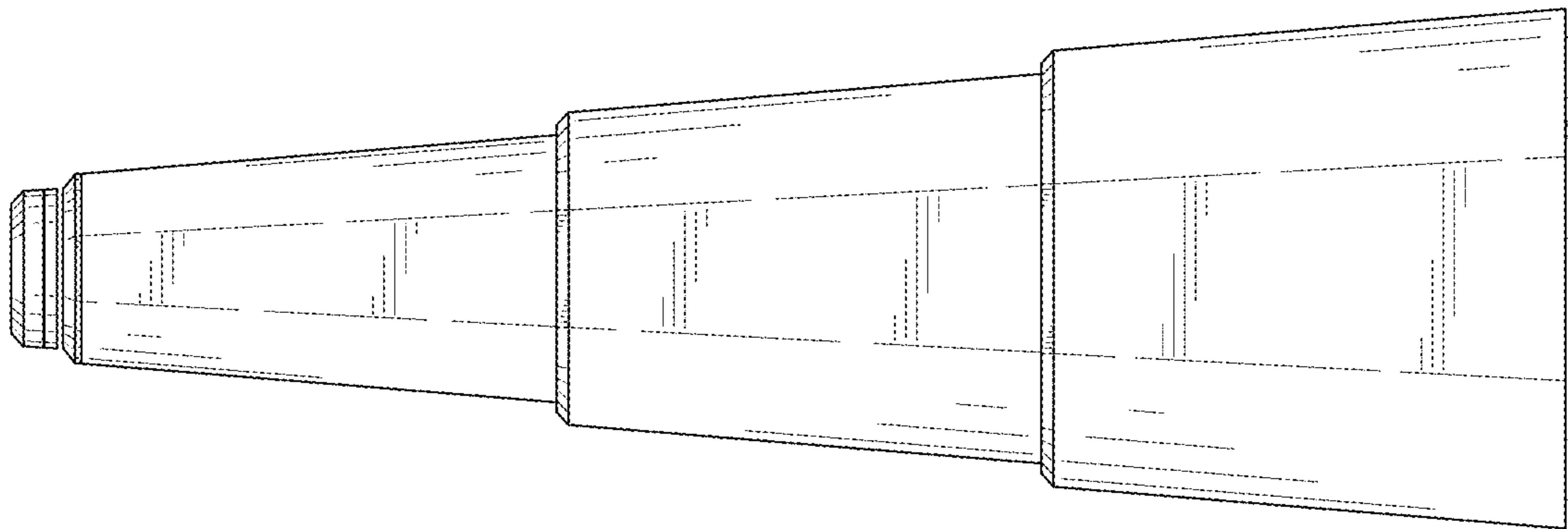


FIG. 5

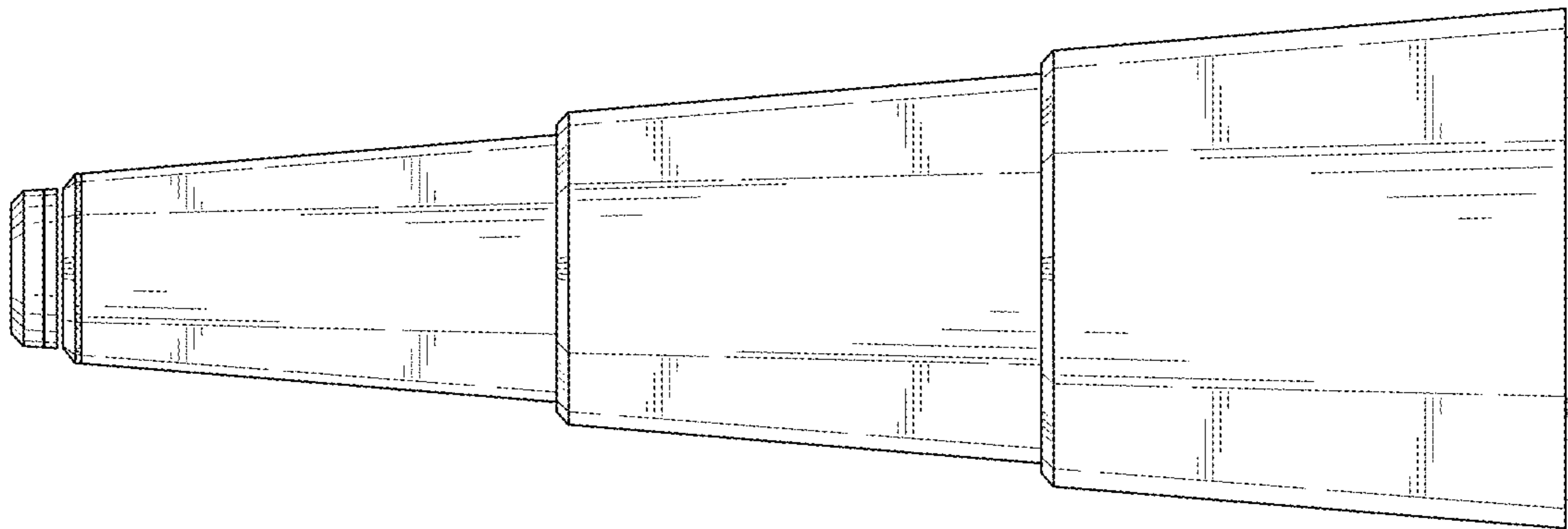


FIG. 6

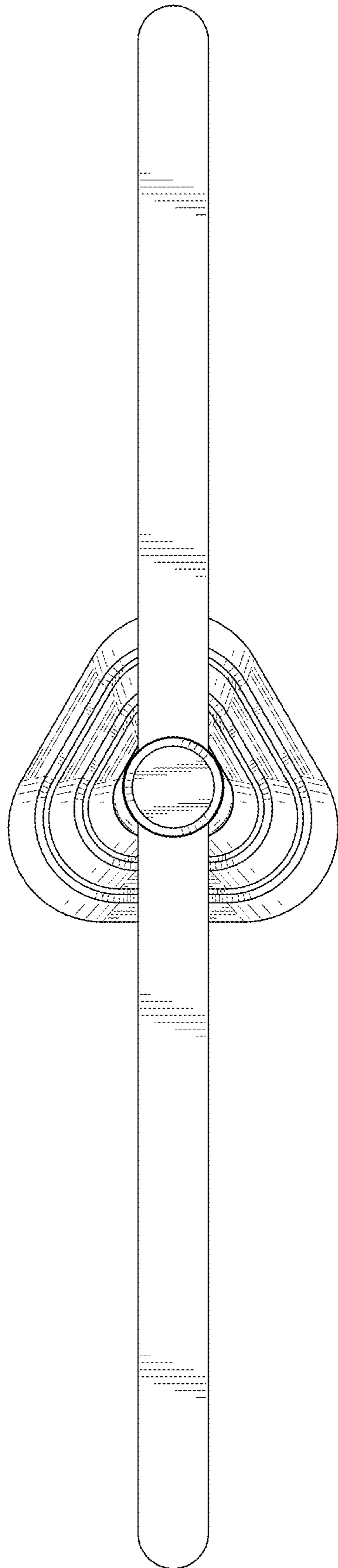


FIG. 7

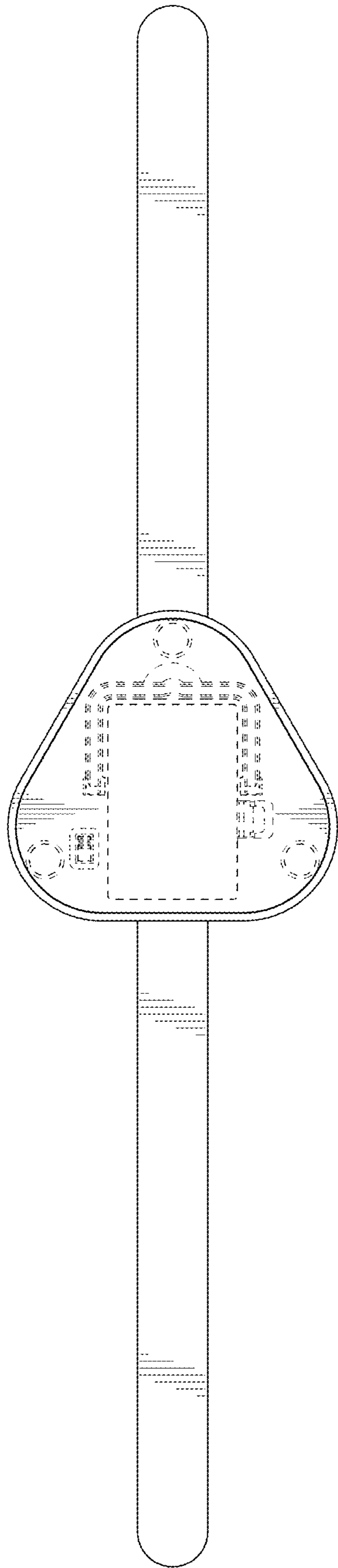


FIG. 8

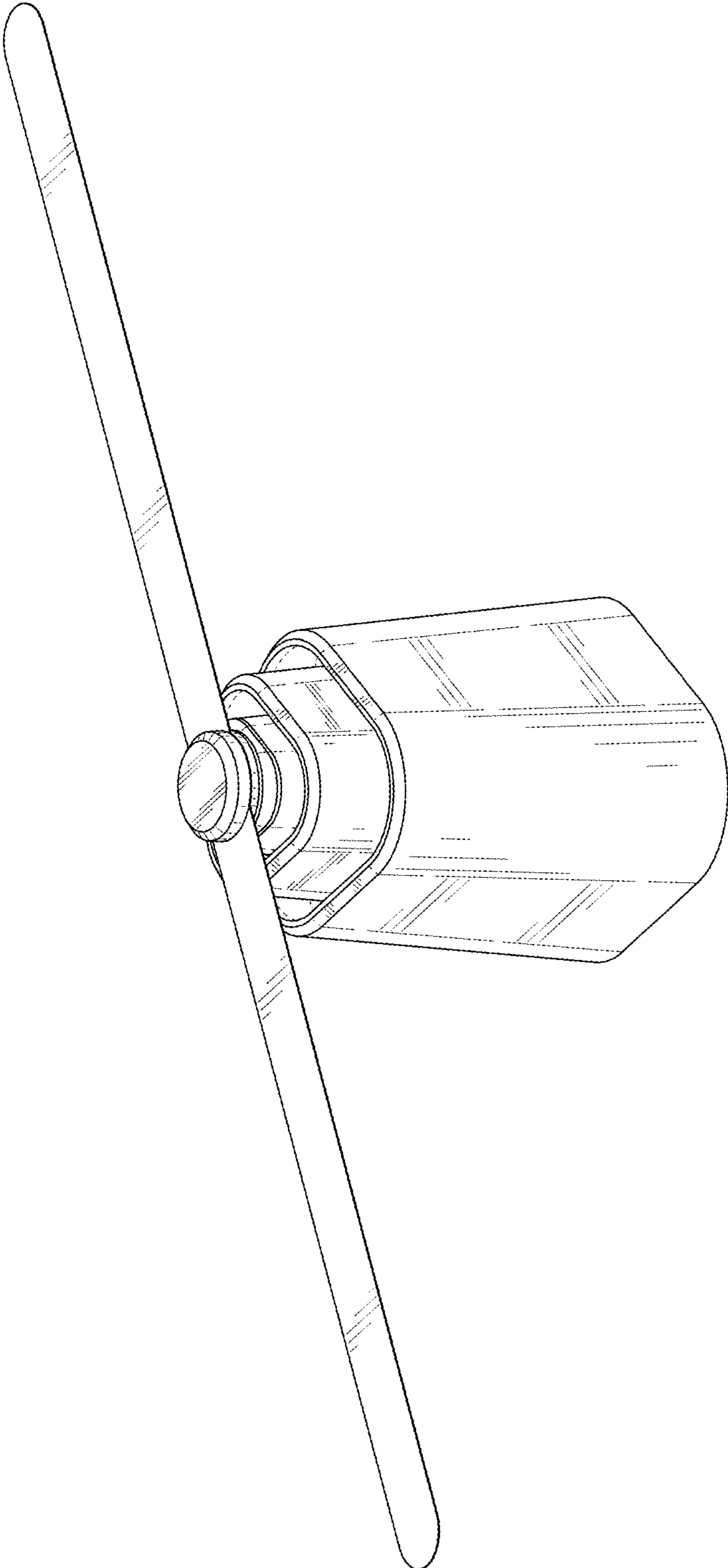


FIG. 9