



US00D977056S

(12) **United States Design Patent** (10) **Patent No.:** **US D977,056 S**  
**Hu** (45) **Date of Patent:** **\*\* Jan. 31, 2023**

(54) **FLY REPELLENT FAN**

FOREIGN PATENT DOCUMENTS

(71) Applicant: **Yajing Hu**, Nanyang (CN)

WO WO 2017156572 \* 9/2017 ..... A01M 29/34

(72) Inventor: **Yajing Hu**, Nanyang (CN)

\* cited by examiner

(\*\*) Term: **15 Years**

*Primary Examiner* — Catherine R Oliver-Garcia

(74) *Attorney, Agent, or Firm* — Rumit Ranjit Kanakia

(21) Appl. No.: **29/804,078**

(57) **CLAIM**

(22) Filed: **Aug. 18, 2021**

The ornamental design for a fly repellent fan, as shown and described.

(51) **LOC (14) Cl.** ..... **22-06**

(52) **U.S. Cl.**  
USPC ..... **D22/122**

**DESCRIPTION**

(58) **Field of Classification Search**  
USPC ..... D22/122, 119–120; D23/370, 377–379  
CPC ..... A01M 1/24; A01M 29/34  
See application file for complete search history.

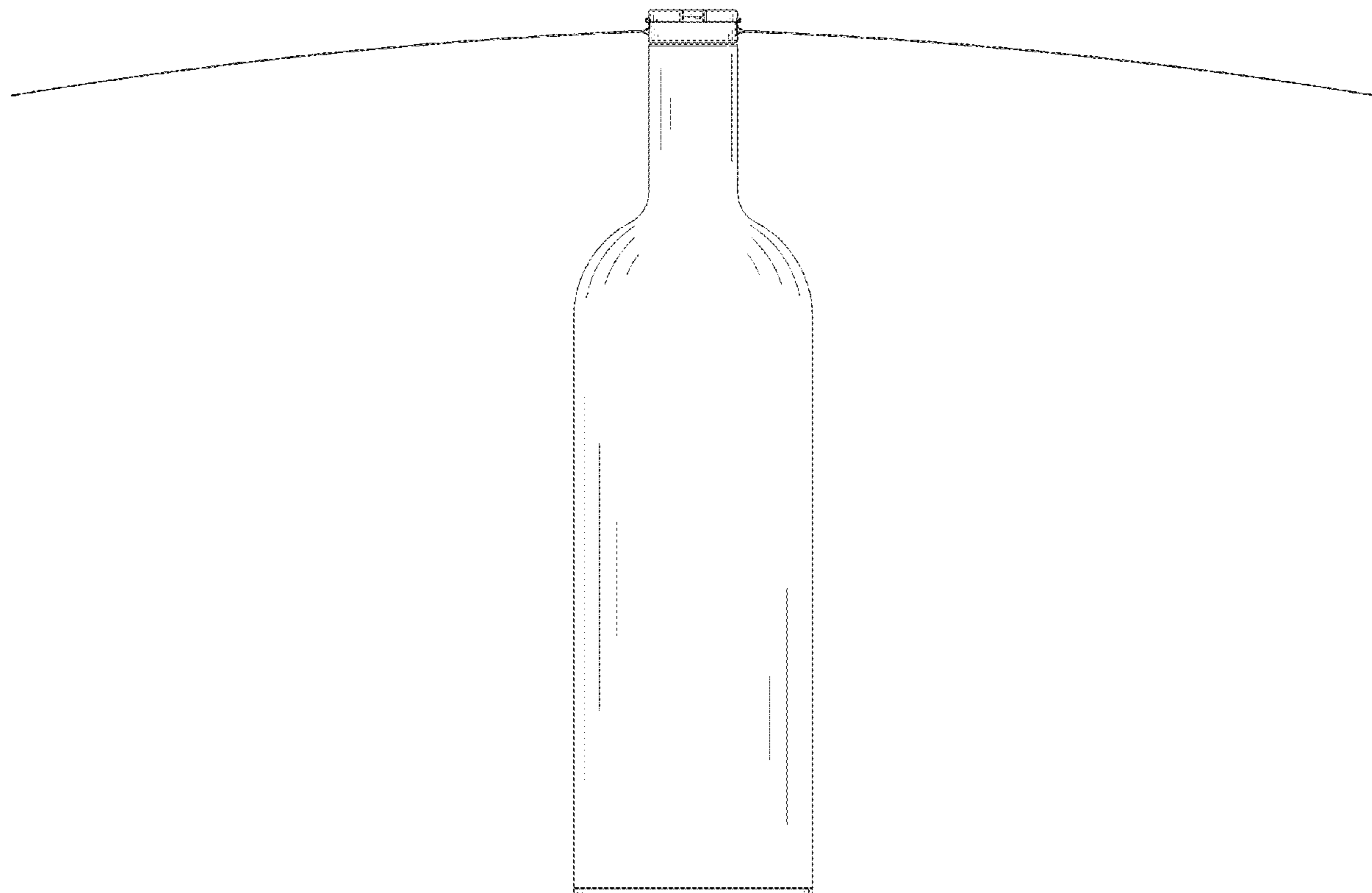
FIG. 1 is a front elevational view of a fly repellent fan showing my new design;  
FIG. 2 is a rear elevational view thereof;  
FIG. 3 is a left side elevational view thereof;  
FIG. 4 is a right side elevational view thereof;  
FIG. 5 is a top plan view thereof;  
FIG. 6 is a bottom plan view thereof;  
FIG. 7 is a perspective view thereof;  
FIG. 8 is another perspective view thereof;  
FIG. 9 is a partial enlarged view of FIG. 7;  
FIG. 10 is another partial enlarged view of FIG. 7; and,  
FIG. 11 is a partial enlarged view of FIG. 8.  
The dash-dash lines in FIGS. 7-11 are for the purpose of depicting the boundary lines of the enlarged views and form no part of the claimed design.

(56) **References Cited**

U.S. PATENT DOCUMENTS

D534,236 S	12/2006	Zecher	
D654,979 S	2/2012	Smith	
9,554,569 B2 *	1/2017	Betts, Jr. ....	A01M 29/34
D807,467 S	1/2018	Kotze	
D807,468 S	1/2018	Kotze	
D829,299 S	9/2018	Kaps	
D847,297 S	4/2019	Hassman	
D881,329 S	4/2020	Towne	
D921,830 S	6/2021	Liu	
D948,701 S *	4/2022	Liu .....	D23/379
D950,675 S *	5/2022	Xu .....	D22/122

**1 Claim, 11 Drawing Sheets**



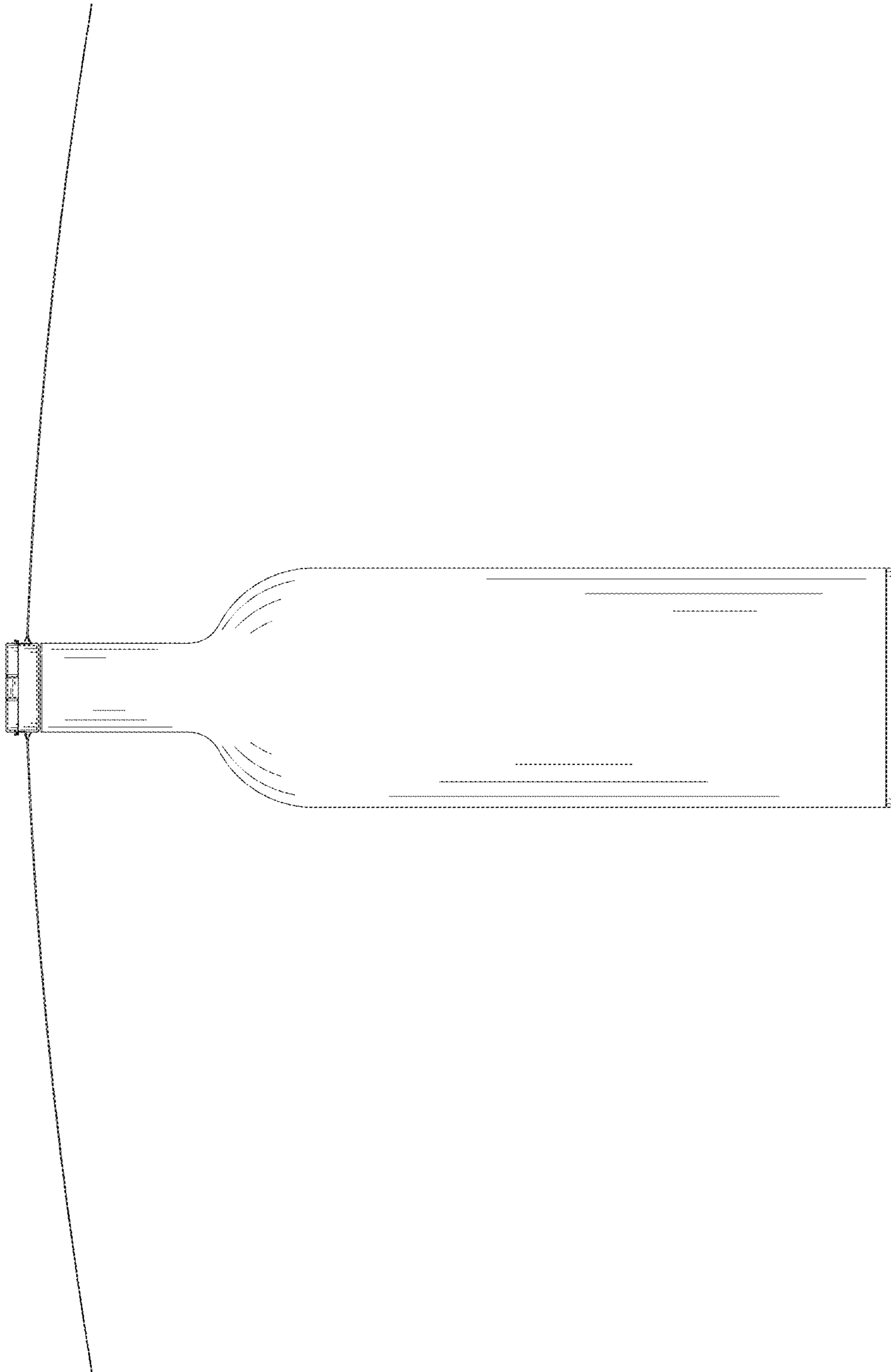


FIG. 1

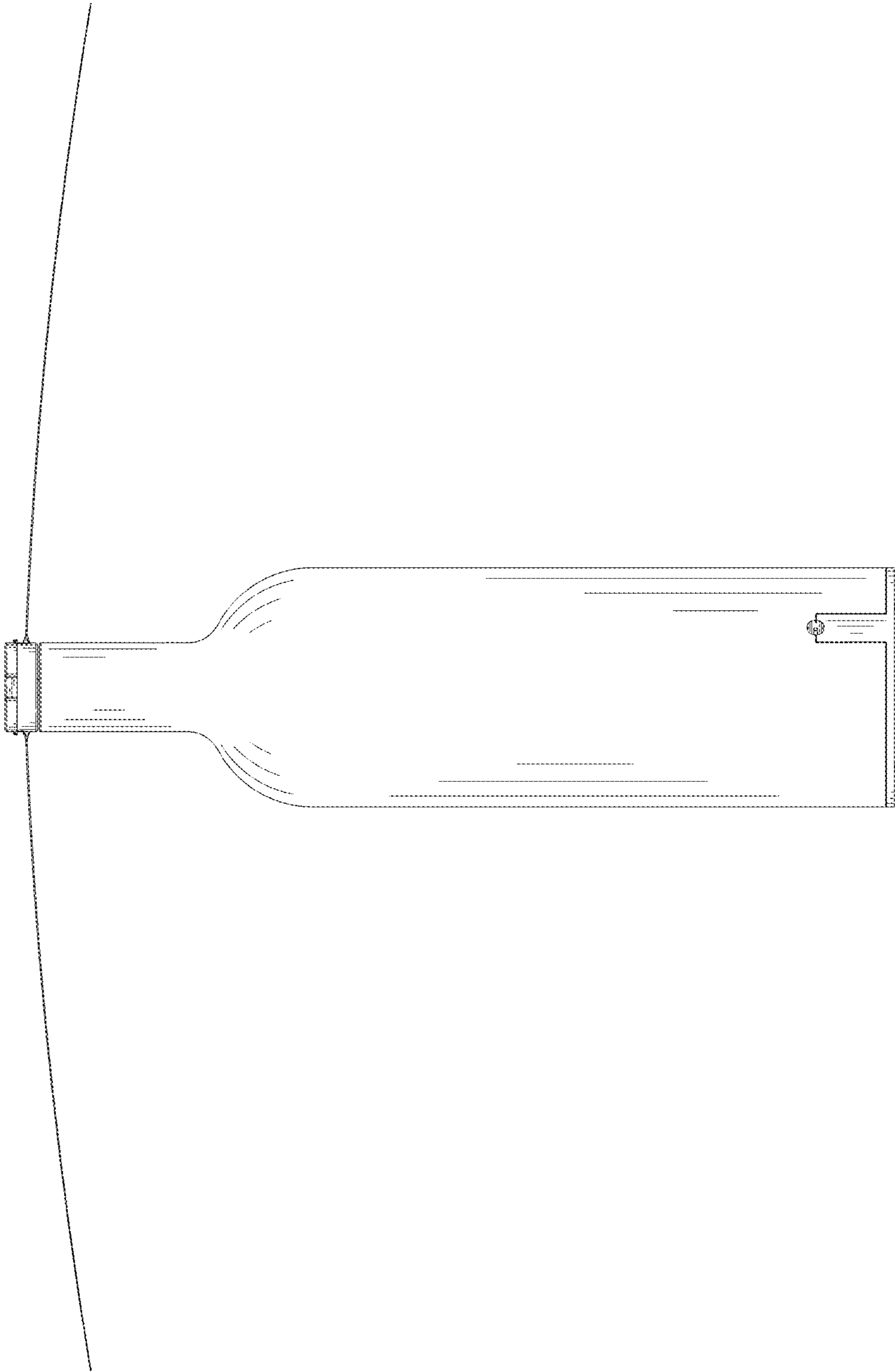


FIG. 2

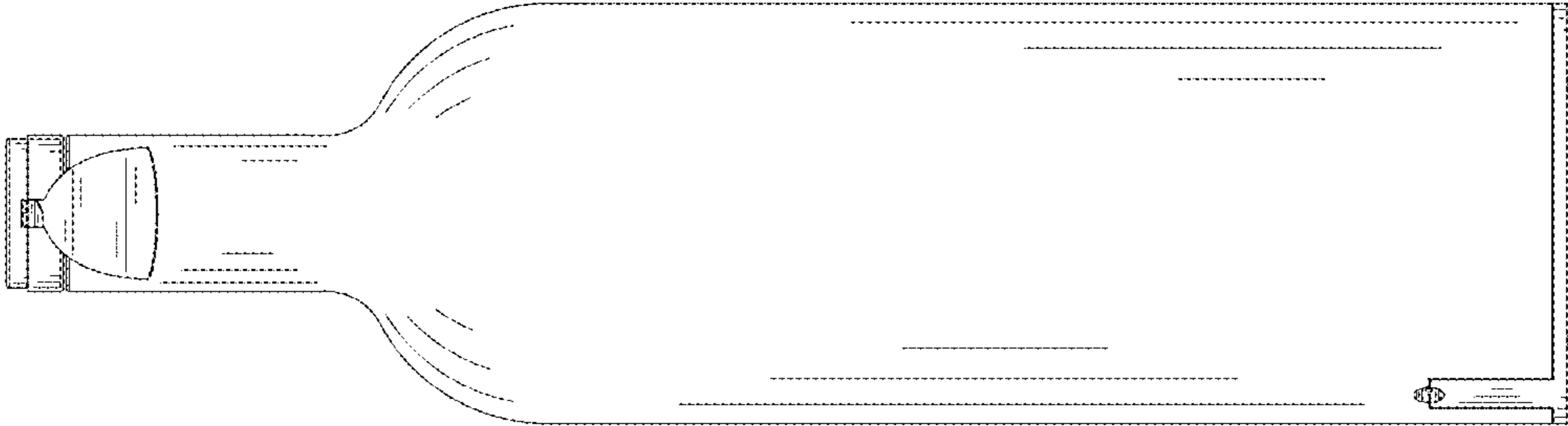


FIG. 3

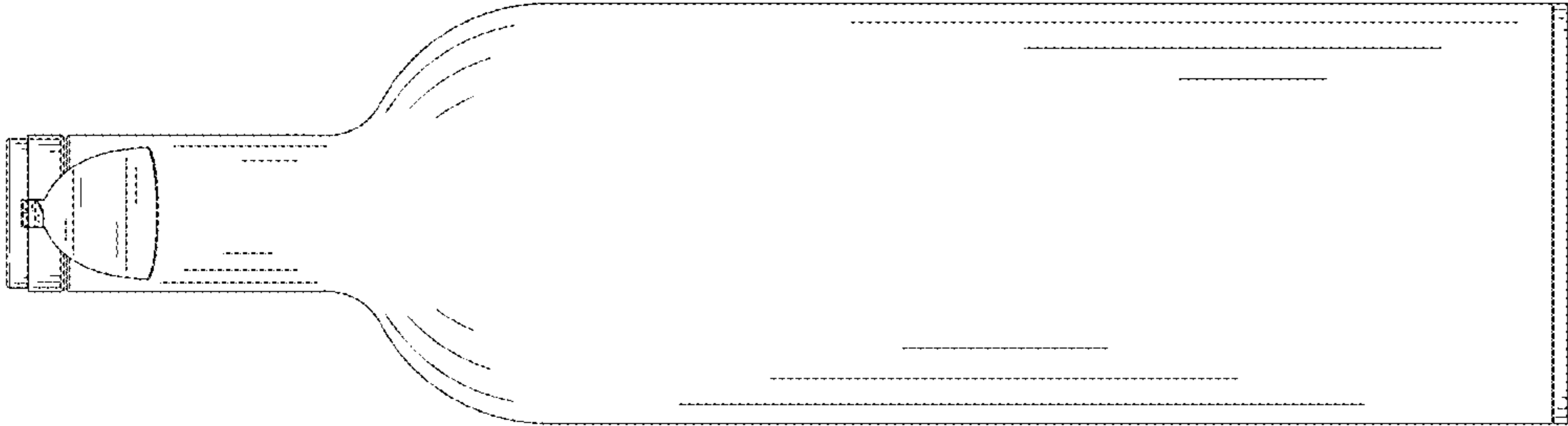


FIG. 4

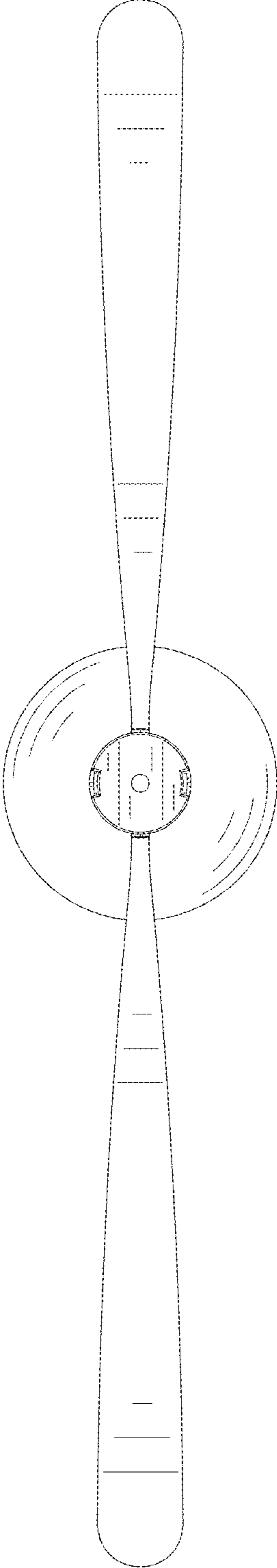


FIG. 5

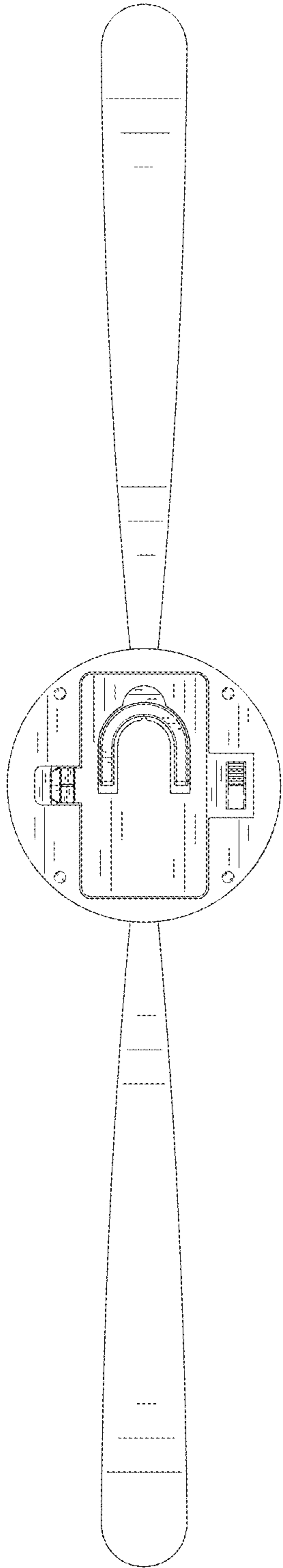


FIG. 6

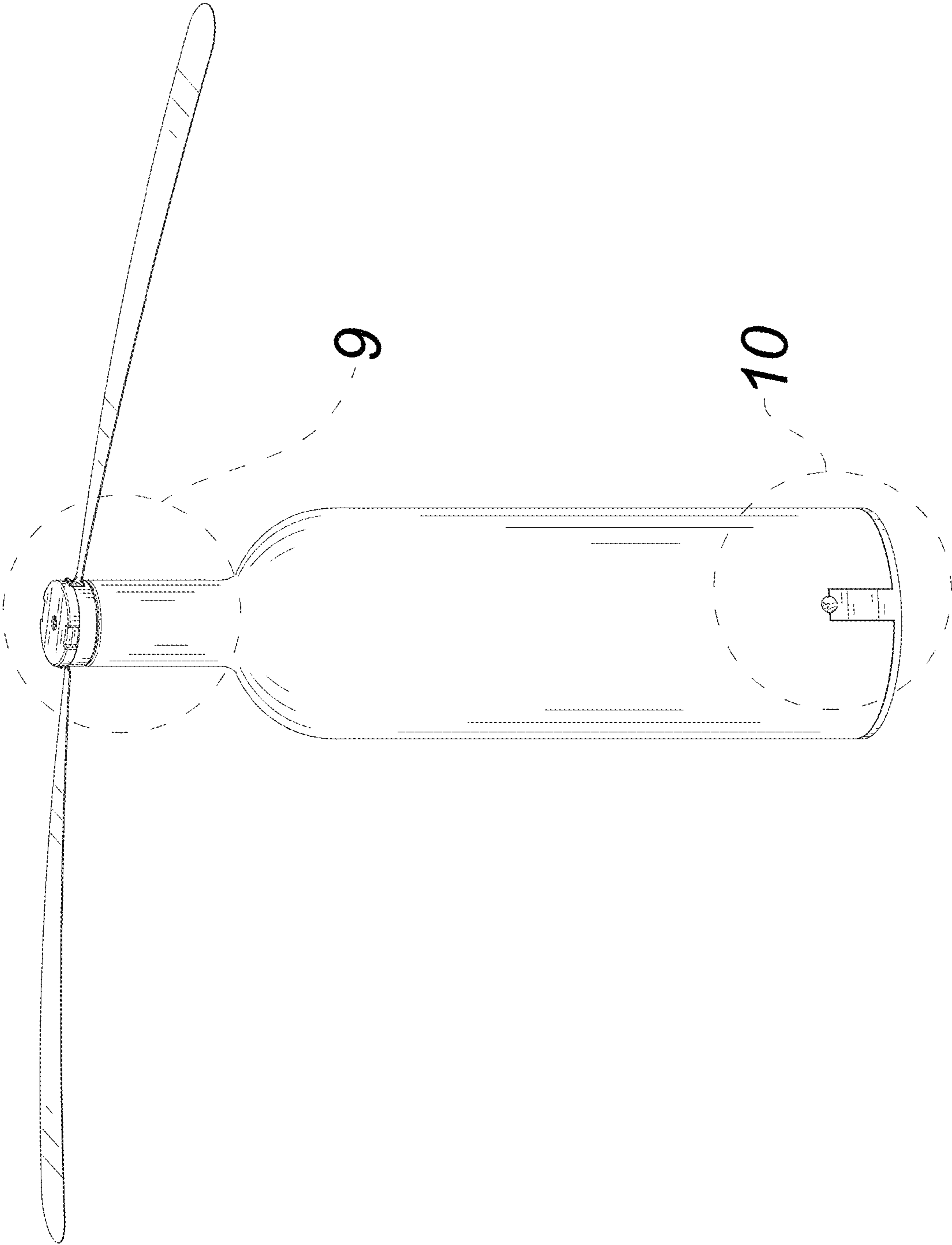


FIG. 7



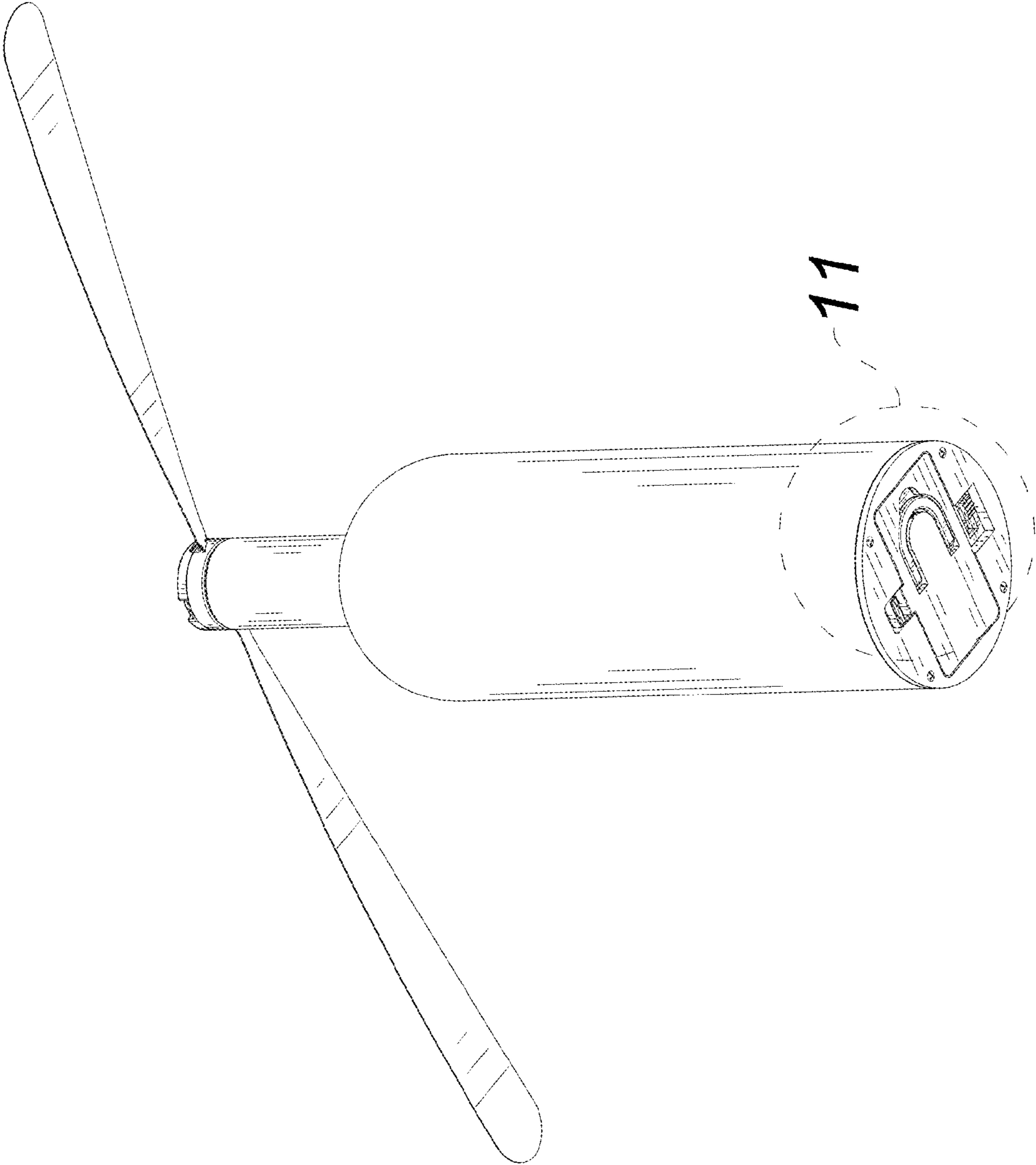


FIG. 8

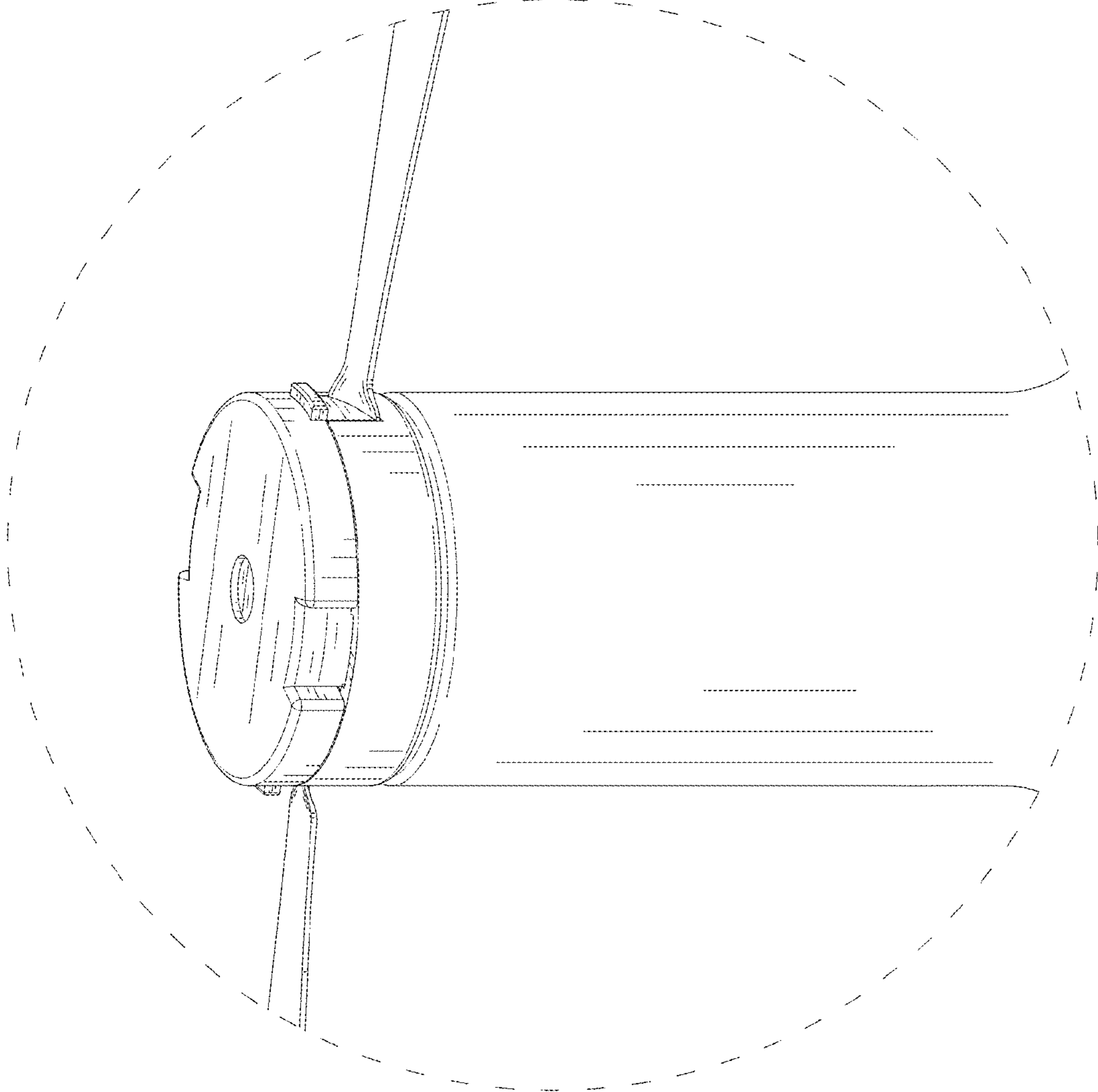


FIG. 9

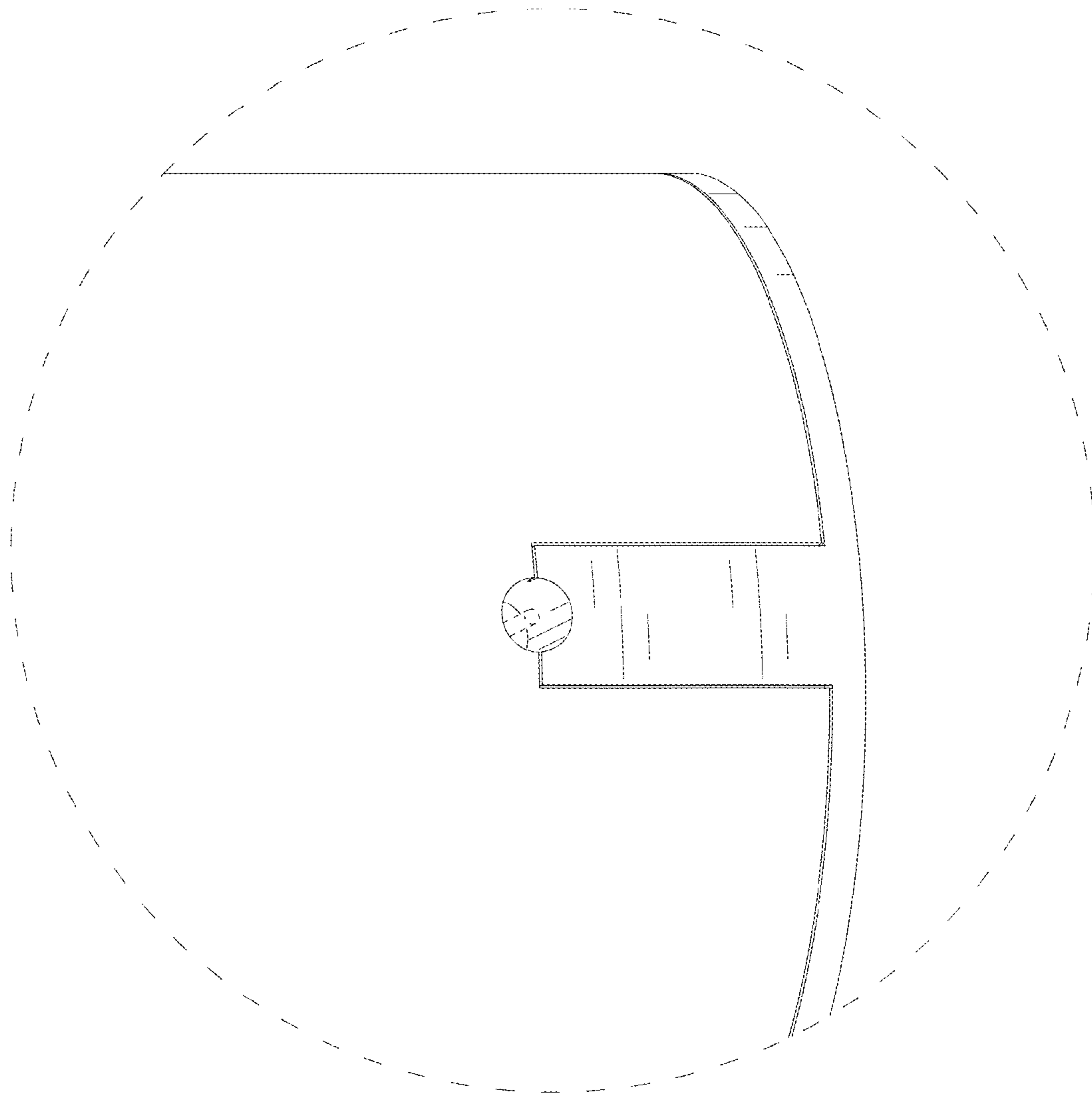


FIG. 10

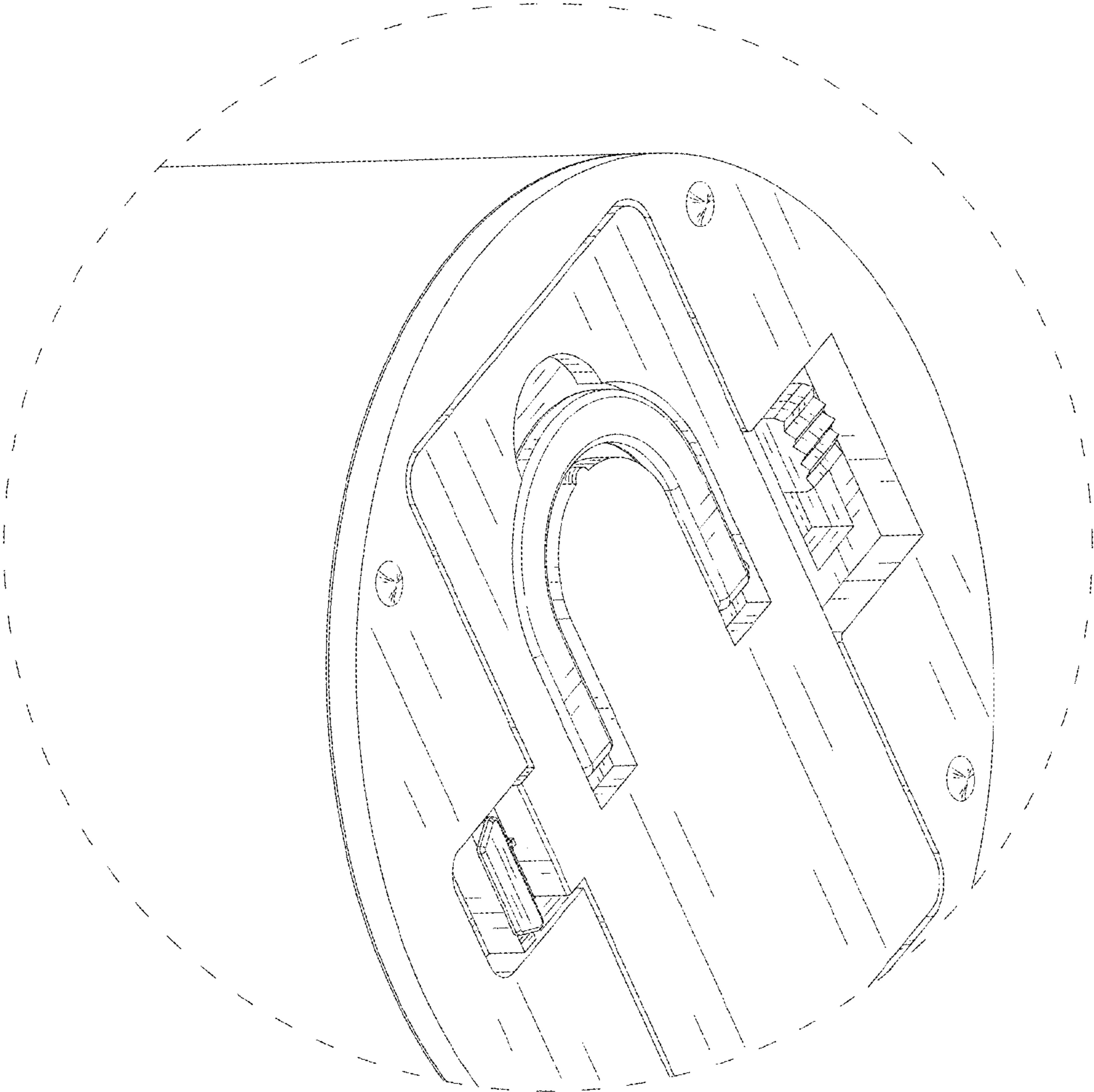


FIG. 11