

US00D977054S

(12) **United States Design Patent**
Roberts

(10) **Patent No.:** **US D977,054 S**
(45) **Date of Patent:** **** Jan. 31, 2023**

(54) **BIPOD WITH SLING STUD MOUNT**

- (71) Applicant: **Magpul Industries Corp.**, Austin, TX (US)
- (72) Inventor: **Timothy Eric Roberts**, Broomfield, CO (US)
- (73) Assignee: **Magpul Industries Corp.**, Austin, TX (US)
- (**) Term: **15 Years**
- (21) Appl. No.: **29/748,272**
- (22) Filed: **Aug. 28, 2020**

Related U.S. Application Data

- (63) Continuation of application No. 29/688,047, filed on Apr. 17, 2019, now Pat. No. Des. 898,156.
- (51) **LOC (14) Cl.** **22-01**
- (52) **U.S. Cl.**
USPC **D22/108**
- (58) **Field of Classification Search**
USPC D22/108
CPC F41A 23/08; F41A 23/04
See application file for complete search history.

References Cited

U.S. PATENT DOCUMENTS

D875,871 S	2/2020	Roberts et al.	
D898,156 S *	10/2020	Roberts	D22/108
D935,547 S *	11/2021	Ye	D22/108
D943,049 S *	2/2022	Roberts	D22/108
D960,280 S *	8/2022	Roberts	D22/108
2018/0180374 A1	6/2018	Roberts et al.	
2022/0042760 A1 *	2/2022	Roberts	F41C 23/02

OTHER PUBLICATIONS

B&T Industries, LLC, "Atlas Bipods", "Retrieved from http://www.accu-shot.com/Atlas_Bipods.php", Known to exist as early as Sep. 26, 2016, p. 1.
 Bobro Engineering, "Bi-Pod Type 3—BLAC", "Retrieved from <http://www.bobroengineering.com/view/product/1/>", Known to exist as early as Sep. 26, 2016, p. 2.
 Leapers, Inc., "Bipods and Shooting Stands", "Retrieved from <http://www.leapers.com/index.php?mitem=bipod&mtrack=m>", Known to exist as early as Sep. 26, 2016, p. 1.
 Brownells, Inc., "GPS, LLC.—Military Model Grip Pod Picatinny Mount", "Retrieved from <https://www.brownells.com/shooting-accessories/bipods-monopods-amp-accessories/bipod-accessories/grip-pod-gps-02-military-model-prod244>", Known to exist as early as Sep. 26, 2016, p. 2.

(Continued)

Primary Examiner — Michael A. Pratt
 (74) *Attorney, Agent, or Firm* — Neugeboren O'Dowd PC

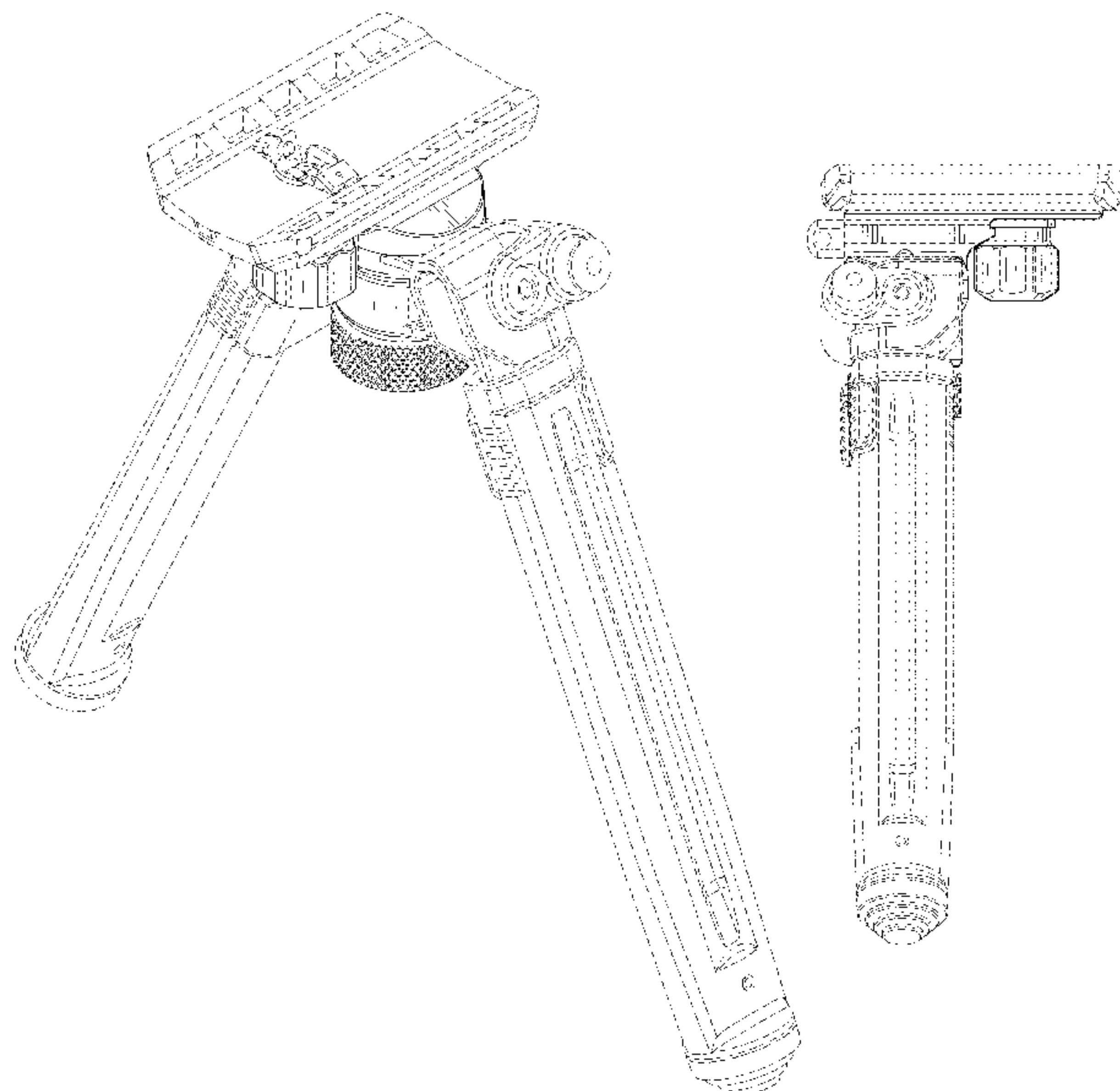
CLAIM

The ornamental design for a bipod with sling stud mount, as shown.

DESCRIPTION

FIG. 1 is a front, left, top perspective view of the bipod with sling stud showing our new design;
 FIG. 2 is a front elevation view thereof;
 FIG. 3 is a rear elevation view thereof;
 FIG. 4 is a left elevation view thereof;
 FIG. 5 is a right elevation view thereof;
 FIG. 6 is a top elevation view thereof;
 FIG. 7 is a bottom elevation view thereof; and,
 FIG. 8 is a rear, left, top perspective view of the bipod in a folded configuration.
 The shade lines in the Figures show contour and not surface ornamentation.
 The broken lines showing portions of the design in all figures are included for the purpose of illustrating environment and do not form a part of the claimed design.

1 Claim, 7 Drawing Sheets



(56)

References Cited

OTHER PUBLICATIONS

Battenfeld Technologies, Inc., “Caldwell Shooting Bipod”, “Retrieved from <https://www.btibrands.com/product/shooting-bipod/>”, Known to exist as early as Sep. 26, 2016, p. 2.

Vanguard, “Equalizer Pro 2”, “Retrieved from https://www.vanguardworld.us/hunting_us/products/support-systems/equalizer-pro-2.html#go-sectionTop”, Known to exist as early as Sep. 26, 2016, p. 5.

Harris Bipods, “Harris Bipods and Adapters”, “Retrieved from <http://www.harrisbipods.com/>”, Known to exist as early as Sep. 26, 2016, p. 8.

hkparts.net, “HK German Rifle All Steel Bipod—For Use With the HK Wide Forearm”, “Retrieved from <http://www.hkparts.net/shop/pc/HK-German-All-Steel-Bipod-G3-91-93-33-p215.htm>”, Known to exist as early as Sep. 26, 2016, p. 2.

boltcarrier.com, “Knight’s Armament (KAC) KAC BI Pod Assembly”, “Retrieved from <https://www.boltcarrier.com/product/kac-bi-pod/>”, Known to exist as early as Sep. 26, 2016, p. 1.

Military Advantage, “M249 Squad Automatic Weapon”, “Retrieved from <https://www.military.com/equipment/m249-squad-automatic-weapon>”, Known to exist as early as Sep. 26, 2016, p. 2.

Sarco, Inc., “M60 US GI BIPOD”, “Retrieved from <http://www.e-sarcoinc.com/m60bipod.aspx>”, Known to exist as early as Sep. 26, 2016, p. 2.

CAA, “NBPS Bottom Rail Mounting Short Bipod Picatinny”, “Retrieved from <https://usa.caagearup.com/nbps-bottom-rail-mounting-short-bipod-picatinny>”, Known to exist as early as Oct. 10, 2016, p. 4.

Fidelis Firearms, “Parker-Hale Bipods”, “Retrieved from <http://fidelisfirearms.com/bipods/>”, Known to exist as early as Sep. 26, 2016, p. 1.

KFS Industries, Inc., “S7 Bipods”, “Retrieved from <http://s7bipod.com/>”, Known to exist as early as Sep. 26, 2016, p. 2.

Midwest Gun Works, Inc., “Sako TRG 22/42 BIPOD”, “Retrieved from <https://www.midwestgunworks.com/page/mgwi/prod/S5740495?>”, Known to exist as early as Sep. 26, 2016, p. 2.

Blackhawk!, “Sportster Traversetrack Bipod”, “Retrieved from <https://blackhawk.com/products/long-gun-accessories/long-gun-accessories/bipods/sportster-traversetrack-bipod>”, Known to exist as early as Sep. 26, 2016, p. 7.

GG&G, “Standard XDS Bipod”, “Retrieved from <http://www.gggaz.com/standard-xds-swivel-bipod.html>”, Known to exist as early as Sep. 26, 2016, p. 4.

The Mako Group, “Tactical Vertical Foregrip With Integrated Adjustable Bipod—Gen 2—T-PODG2QR”, “Retrieved from <https://www.themakogroup.com/foregrips/tactical-vertical-foregrip-with-integrated-adjustable-bipod-gen-2-t-podg2qr.html>”, Known to exist as early as Sep. 26, 2016, p. 4.

The Mako Group, “Tavor Quick Deployment Bipod”, “Retrieved from <https://www.themakogroup.com/tavor-quick-deployment-bipod-4462.html>”, Known to exist as early as Sep. 26, 2016, p. 3.

KFS Industries, Inc., “Versa-Pod”, “Retrieved from <http://stores.versapod.com/>”, Known to exist as early as Sep. 26, 2016, p. 2.

* cited by examiner

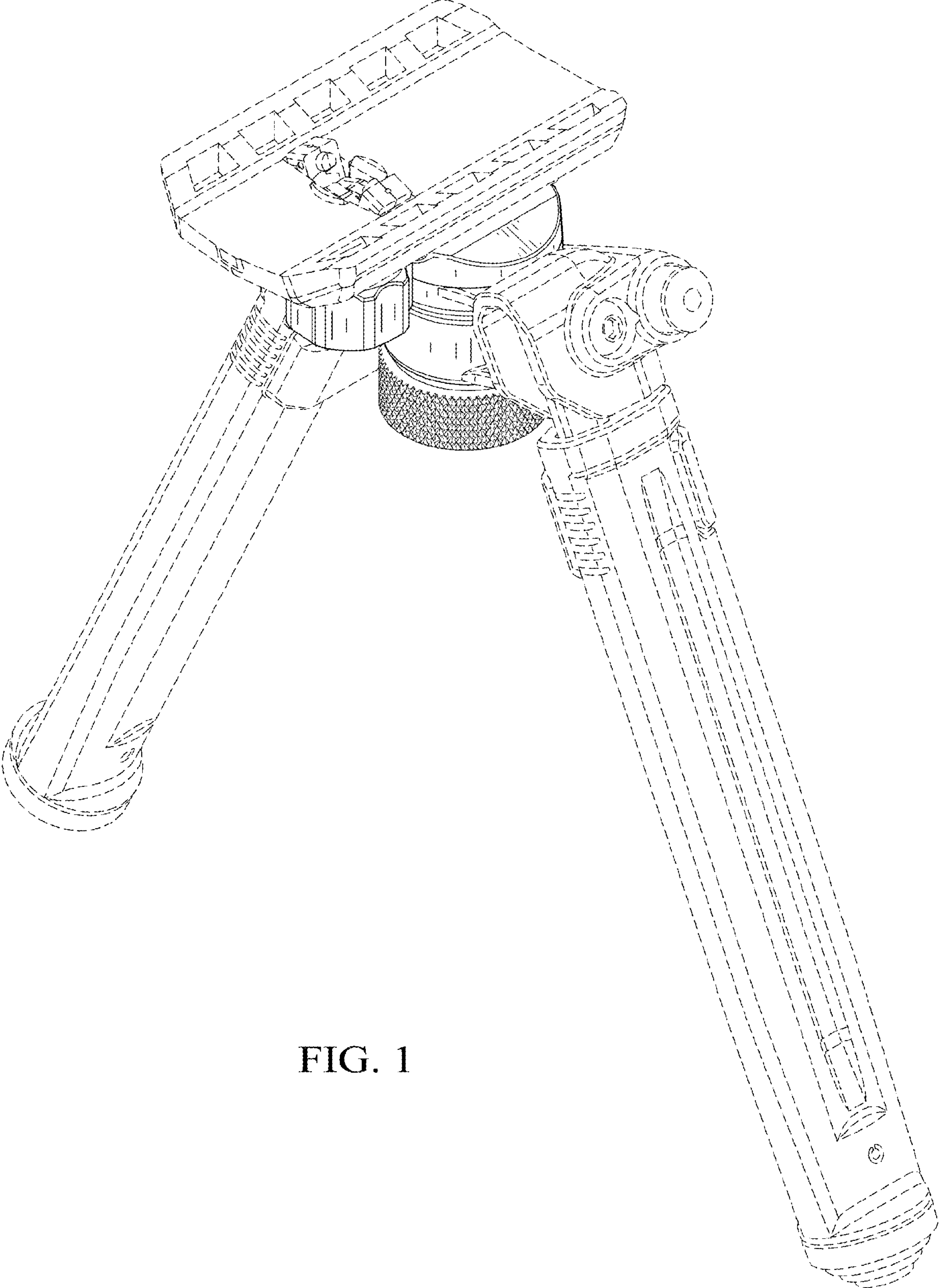


FIG. 1

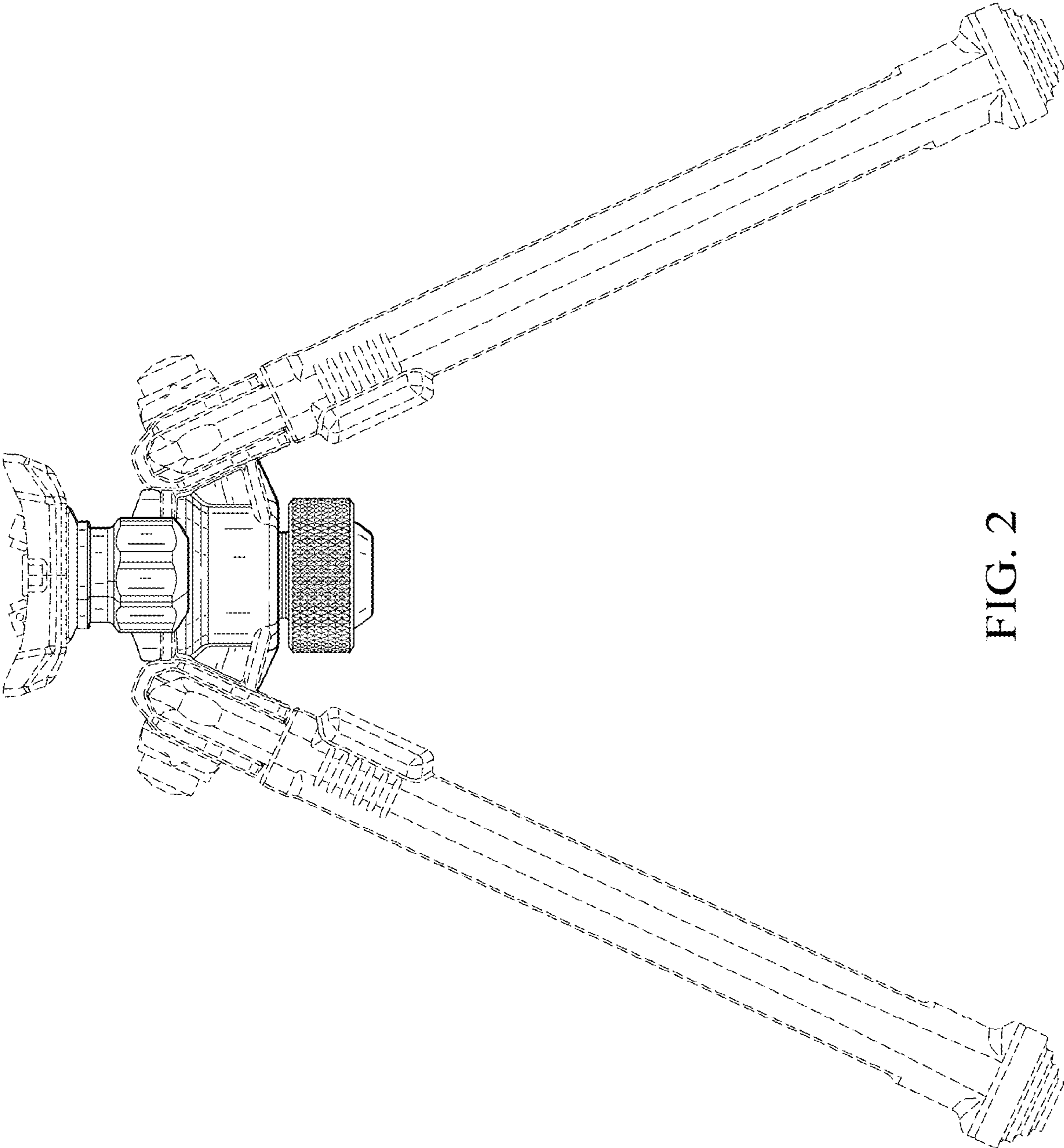


FIG. 2

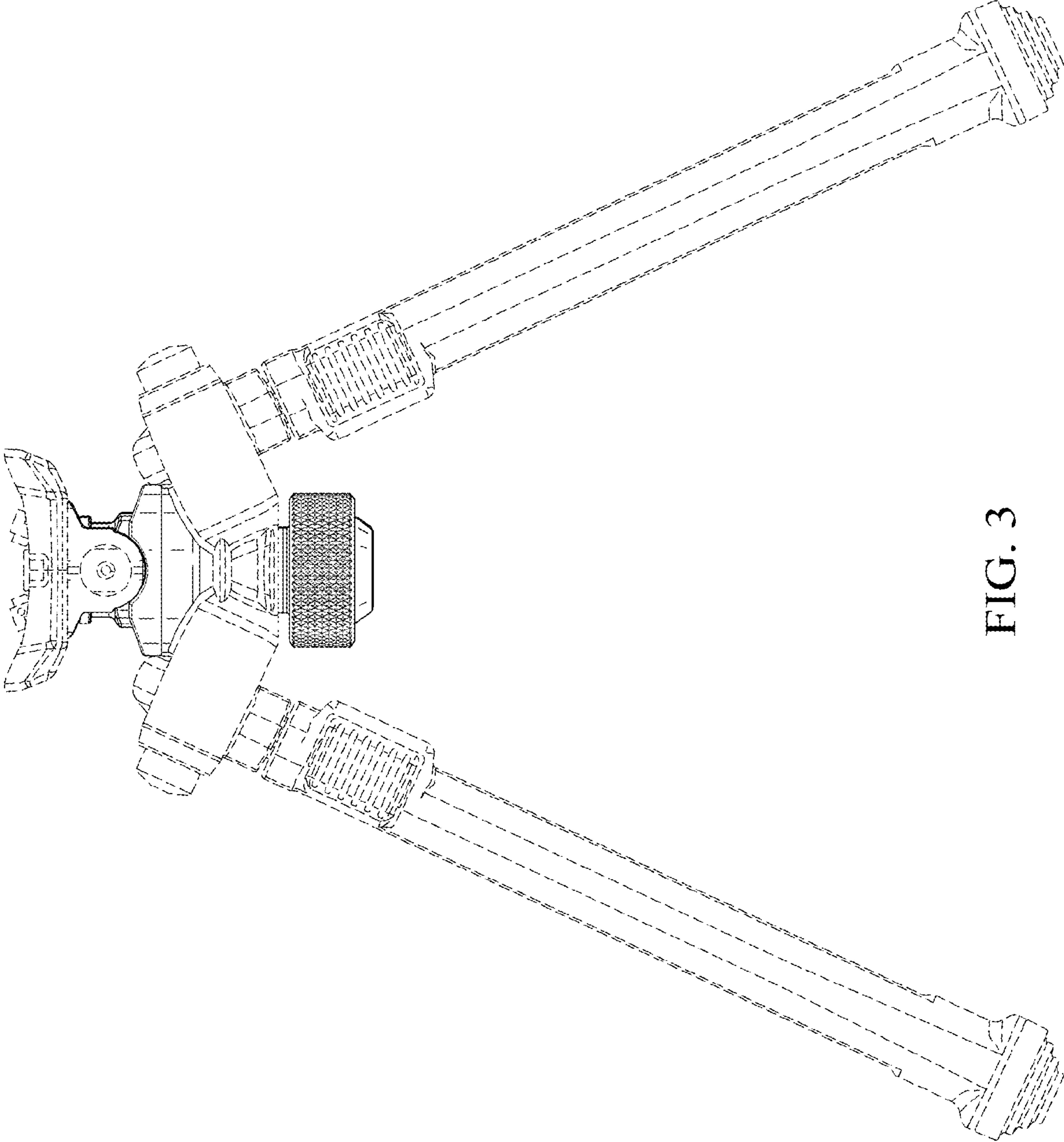


FIG. 3

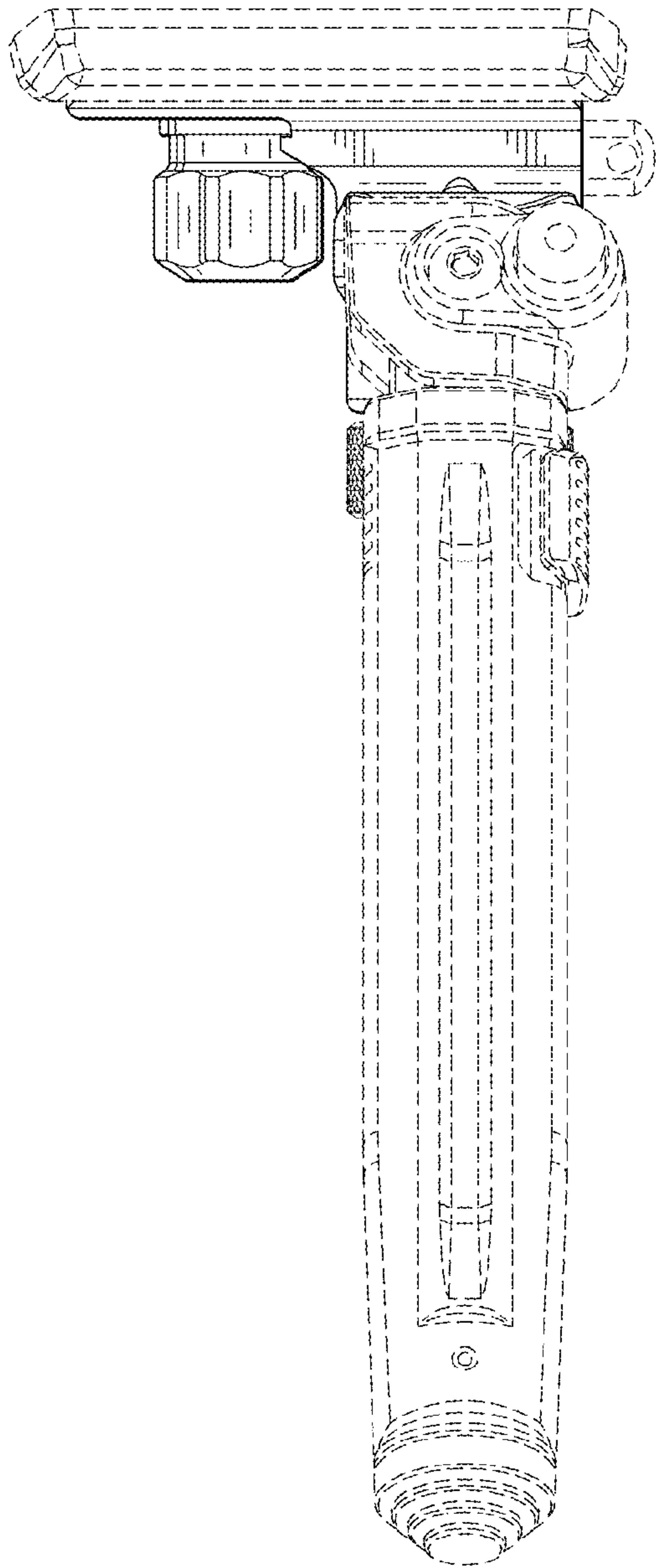


FIG. 4

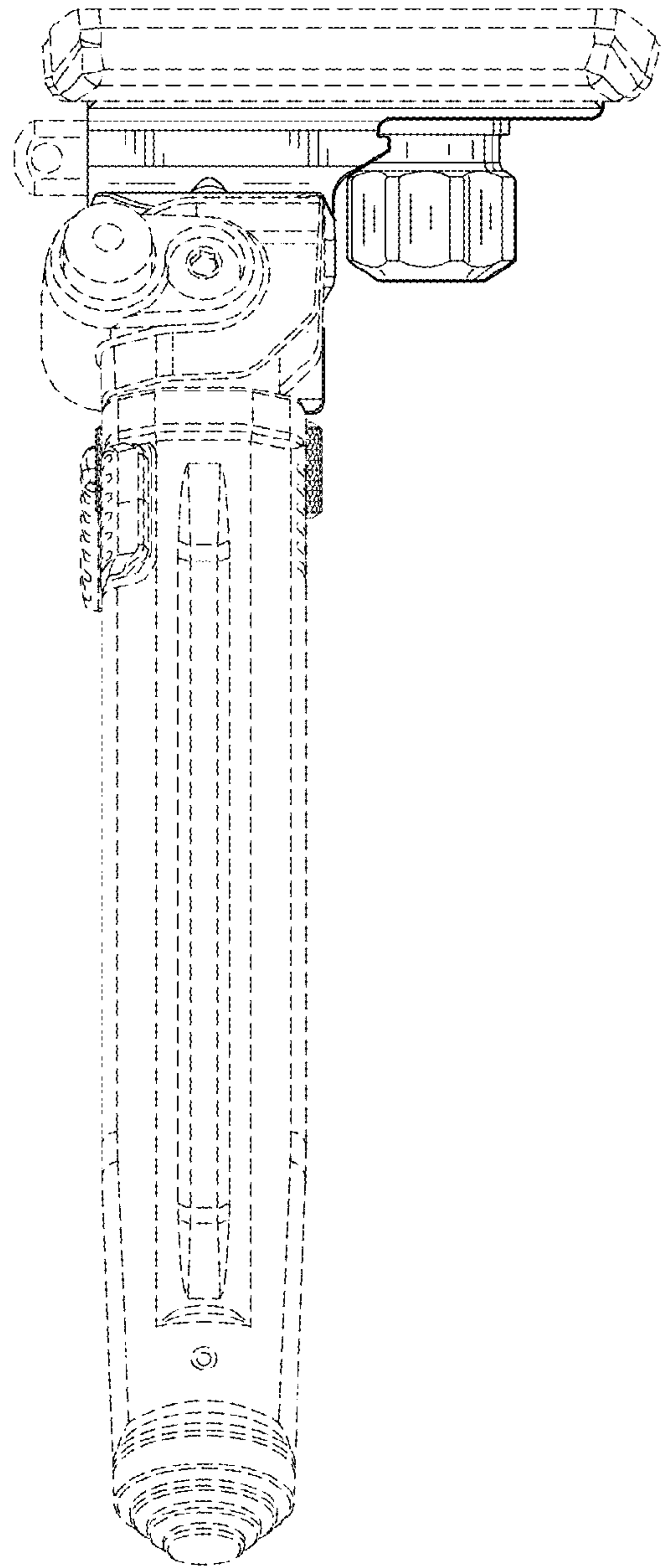


FIG. 5

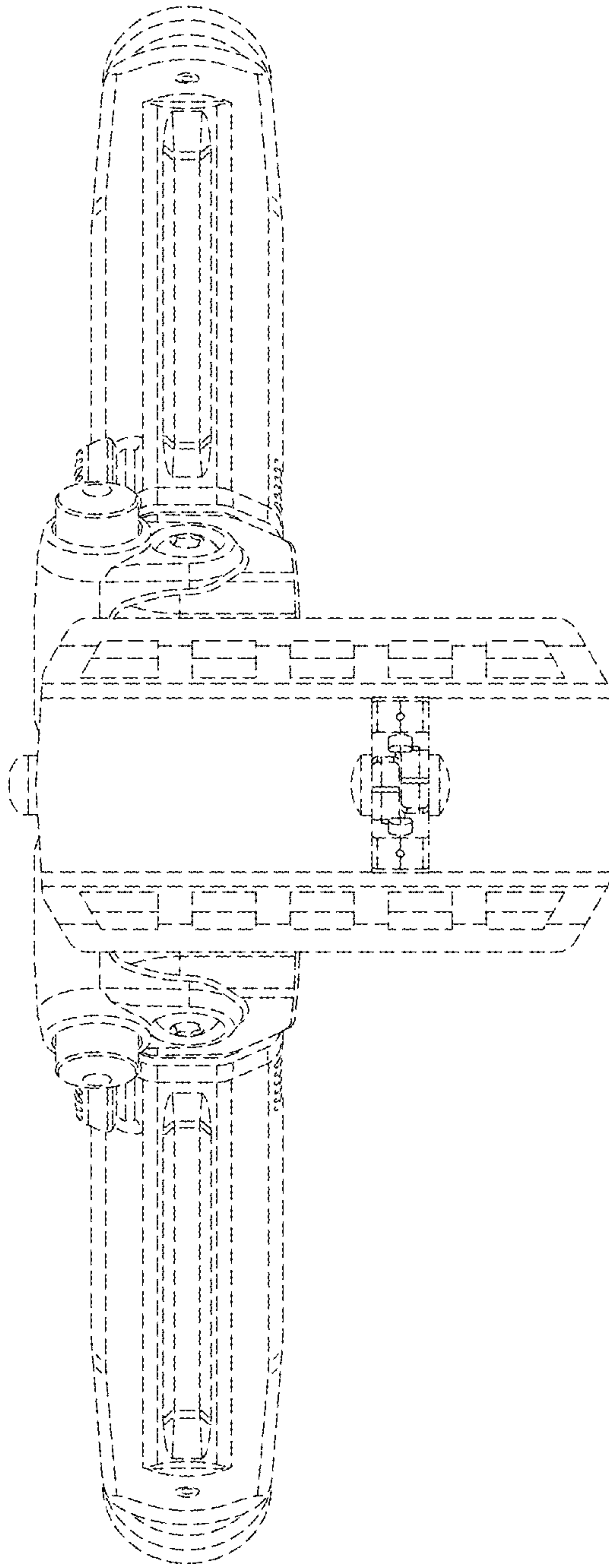


FIG. 6

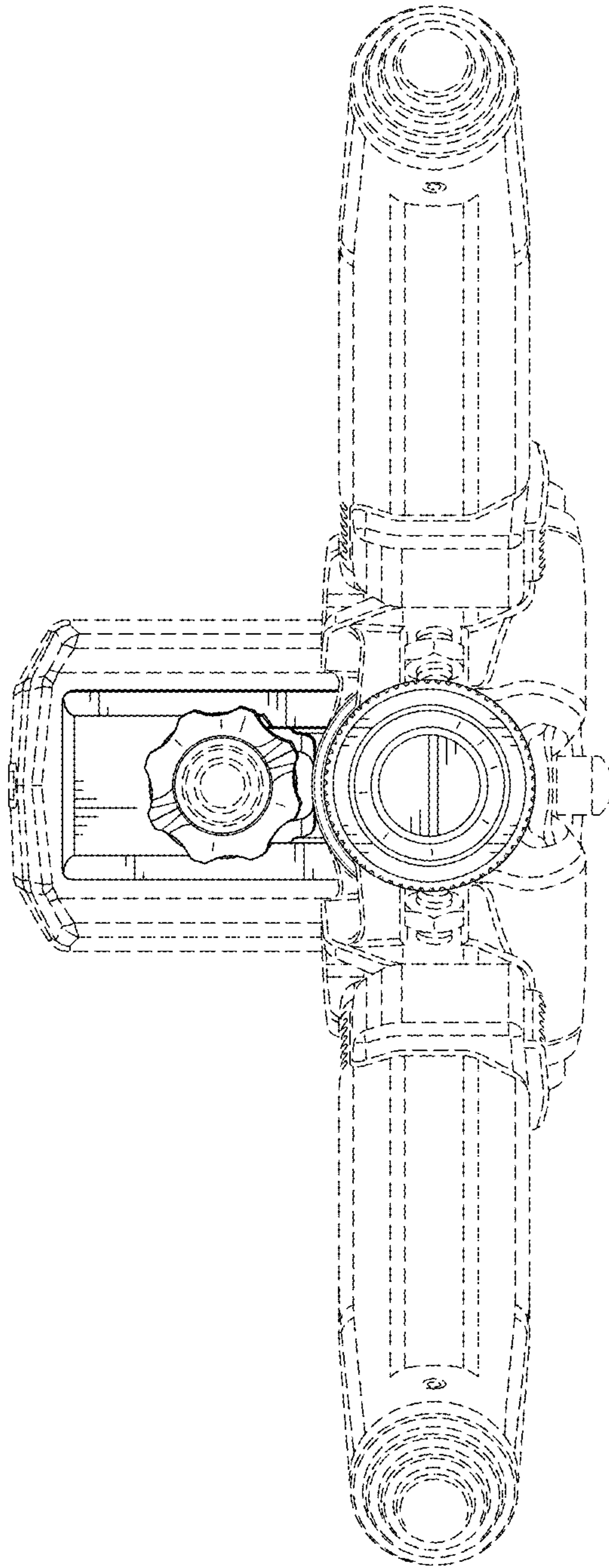


FIG. 7

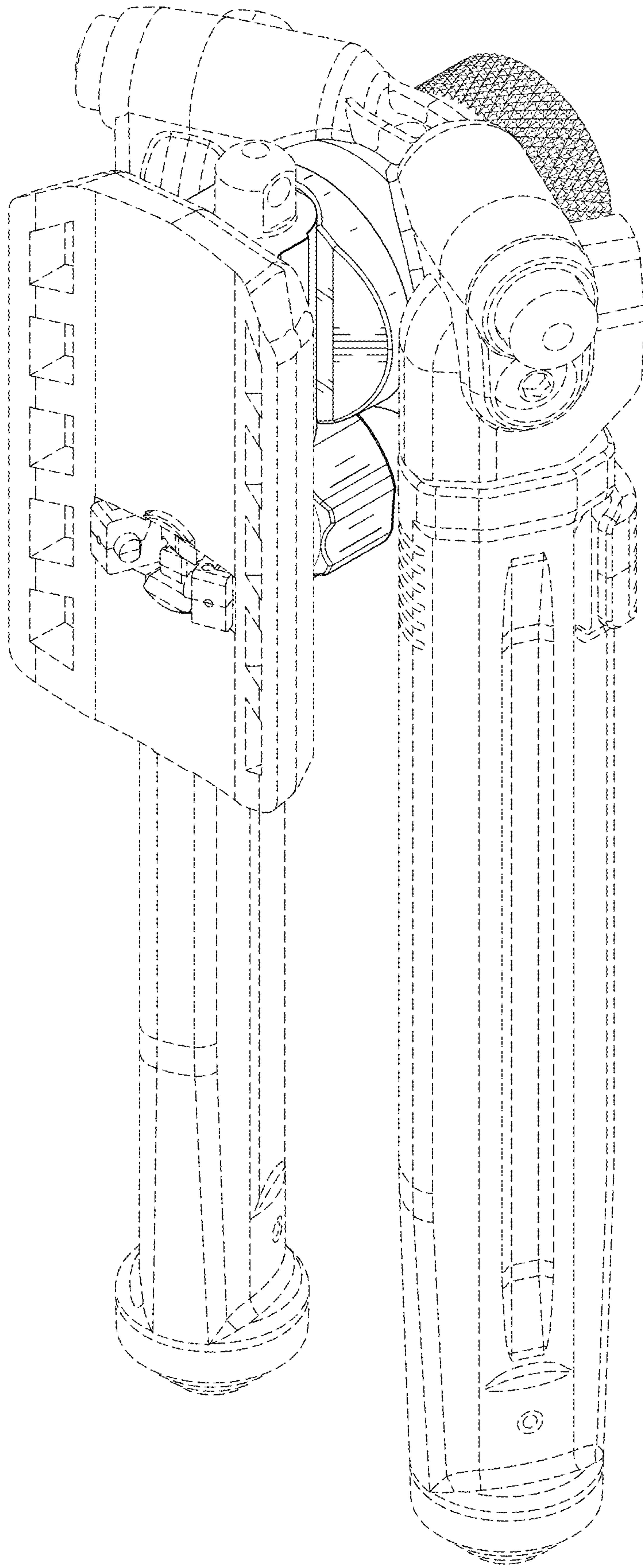


FIG. 8