



US00D977052S

(12) **United States Design Patent** (10) **Patent No.:** **US D977,052 S**  
**Chen et al.** (45) **Date of Patent:** **\*\* Jan. 31, 2023**

(54) **SWIMMING RING**  
(71) Applicant: **Hangzhou Juheng Brand Management Co., Ltd.**, Hangzhou (CN)  
(72) Inventors: **Hao Chen**, Hangzhou (CN); **Mingji Dai**, Hangzhou (CN); **Degao Tang**, Hangzhou (CN)  
(73) Assignee: **Hangzhou Juheng Brand Management Co., Ltd.**, Hangzhou (CN)  
(\*\*) Term: **15 Years**  
(21) Appl. No.: **29/849,609**  
(22) Filed: **Aug. 12, 2022**  
(51) **LOC (14) Cl.** ..... **29-02**  
(52) **U.S. Cl.**  
USPC ..... **D21/805**  
(58) **Field of Classification Search**  
USPC ..... D21/803–805  
CPC ..... B63C 9/11; B63C 9/18; B63C 9/155  
See application file for complete search history.

D921,804 S 6/2021 Chen  
D922,512 S 6/2021 Chen  
D932,578 S \* 10/2021 Zhu ..... D21/803

**OTHER PUBLICATIONS**

Esnowlee Inflatable Swim Rings, Penguin, Jan. 15, 2021, amazon.ca, Nov. 10, 2022, URL: <https://www.amazon.ca/dp/B08T6J11PD/> (Year: 2021).\*  
Swimming Ring Children’s Spot Swimming Ring PVC, Jun. 1, 2022, amazon.ca, Nov. 10, 2022, URL: <https://www.amazon.ca/Swimming-Childrens-Inflatable-Lying-Months/dp/B0B2WKJR2K/> (Year: 2022).\*  
Durable Baby Swimming Swim Ring Non Inflatable Infant, Sep. 24, 2021, amazon.ca, Nov. 10, 2022, URL: <https://www.amazon.ca/Durable-Swimming-Inflatable-Floating-Accessories/dp/B09H2RP32X/> (Year: 2022).\*

\* cited by examiner

*Primary Examiner* — Keith J Wilson  
(74) *Attorney, Agent, or Firm* — Georgi Korobanov

(57) **CLAIM**

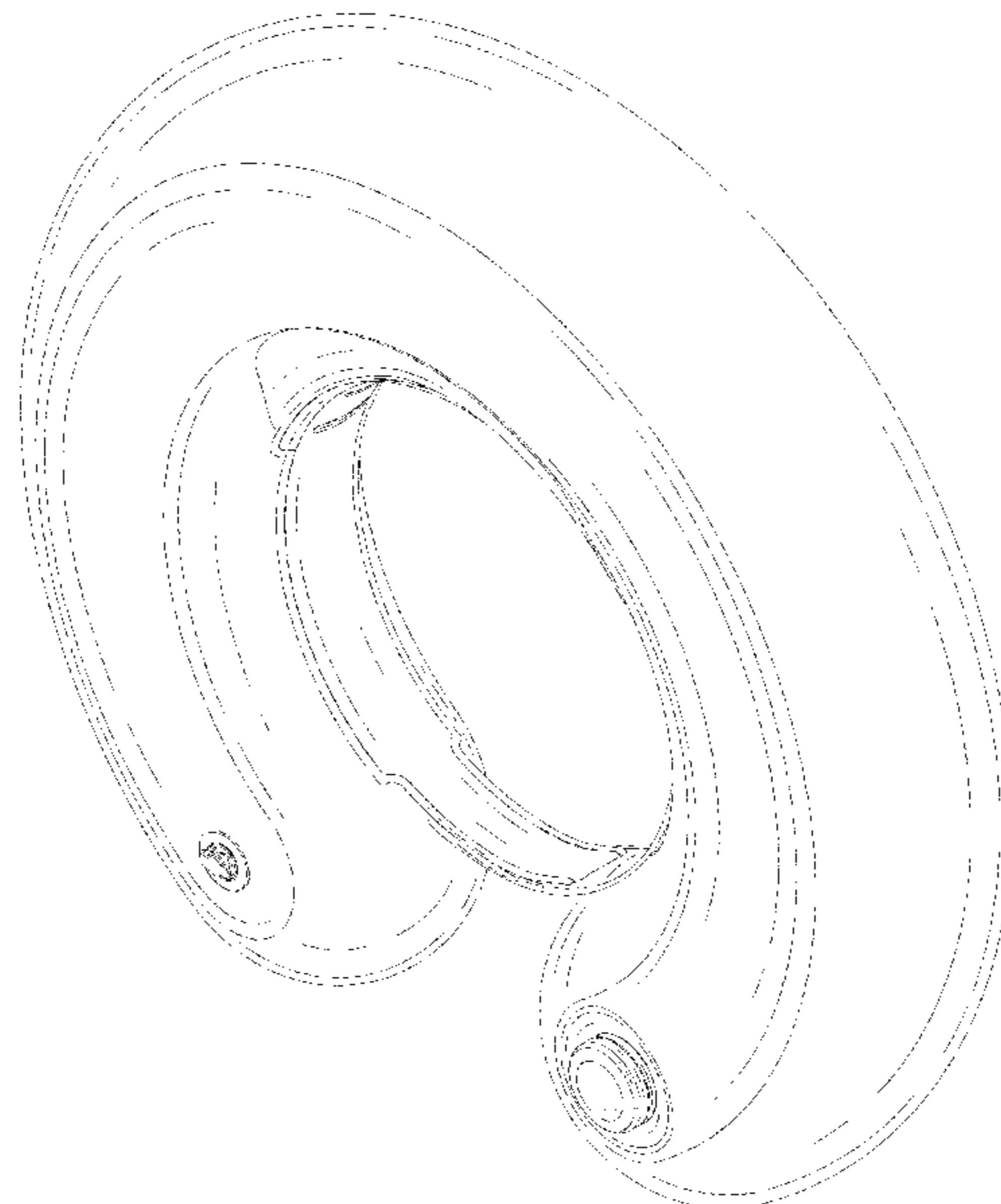
The ornamental design for a swimming ring, as shown and described.

**DESCRIPTION**

FIG. 1 is a perspective view of a swimming ring, showing our new design;  
FIG. 2 is another perspective view thereof;  
FIG. 3 is a front view thereof;  
FIG. 4 is a rear view thereof;  
FIG. 5 is a left side view thereof;  
FIG. 6 is a right side view thereof;  
FIG. 7 is a top plan view thereof; and  
FIG. 8 is a bottom plan view thereof; and,  
FIG. 9 is a perspective view of the design in storage state. The broken line showing of the swimming ring is for the purpose of illustrating article and forms no part of the claimed design.

**1 Claim, 9 Drawing Sheets**

(56) **References Cited**  
U.S. PATENT DOCUMENTS  
D302,874 S \* 8/1989 Bossart ..... D21/805  
8,321,979 B2 \* 12/2012 Goodwin ..... A61G 7/05723  
5/652  
D775,293 S \* 12/2016 Miller ..... D21/803  
D779,009 S \* 2/2017 Chiu ..... D21/805  
D881,606 S \* 4/2020 Yang ..... D6/601  
D881,607 S \* 4/2020 Yang ..... D6/601  
D898,851 S \* 10/2020 Dong ..... D21/803  
D899,546 S \* 10/2020 Peterson ..... D21/803  
D914,397 S \* 3/2021 Zhang ..... D6/601  
D920,716 S \* 6/2021 Yan ..... D6/601



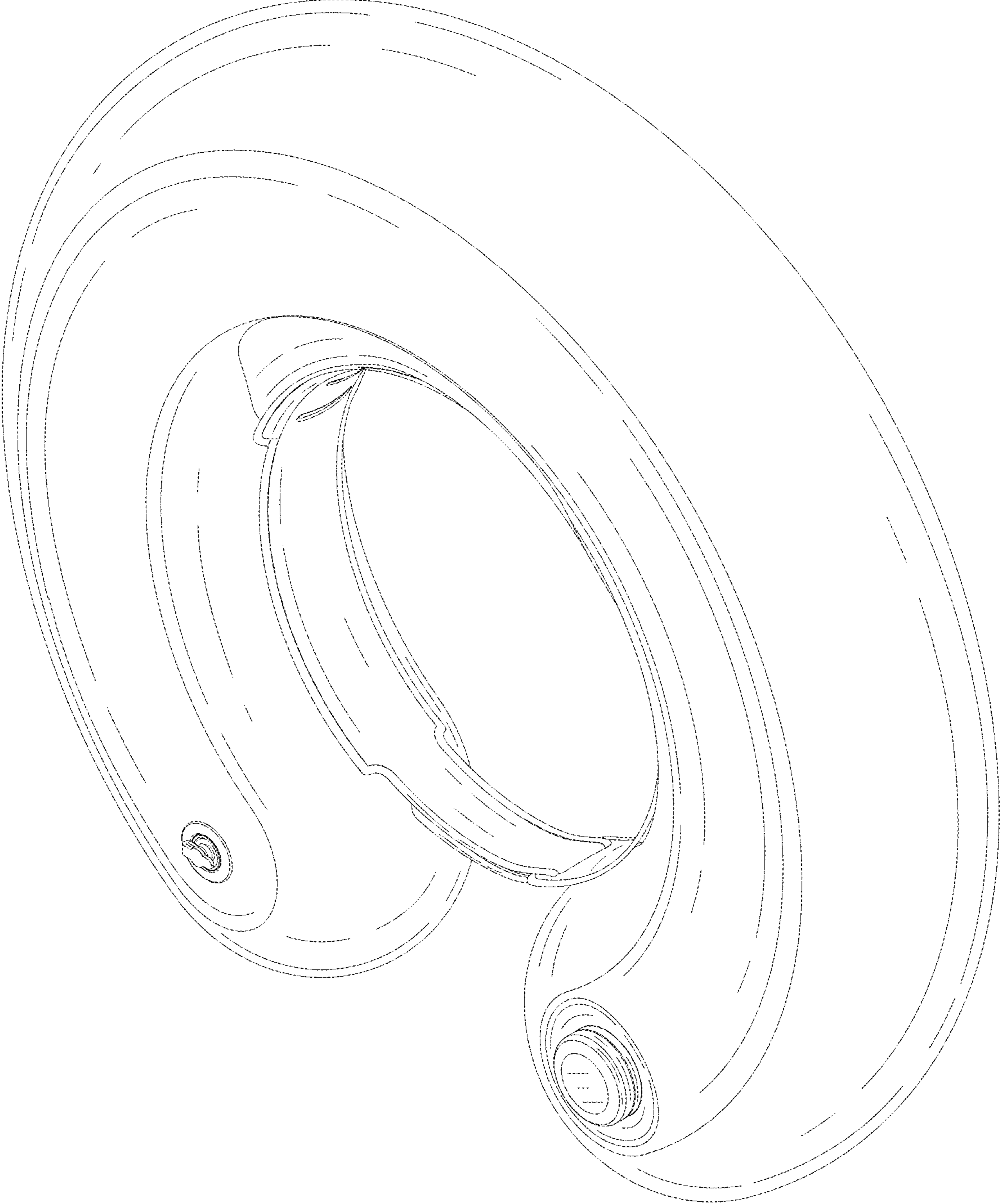


FIG. 1

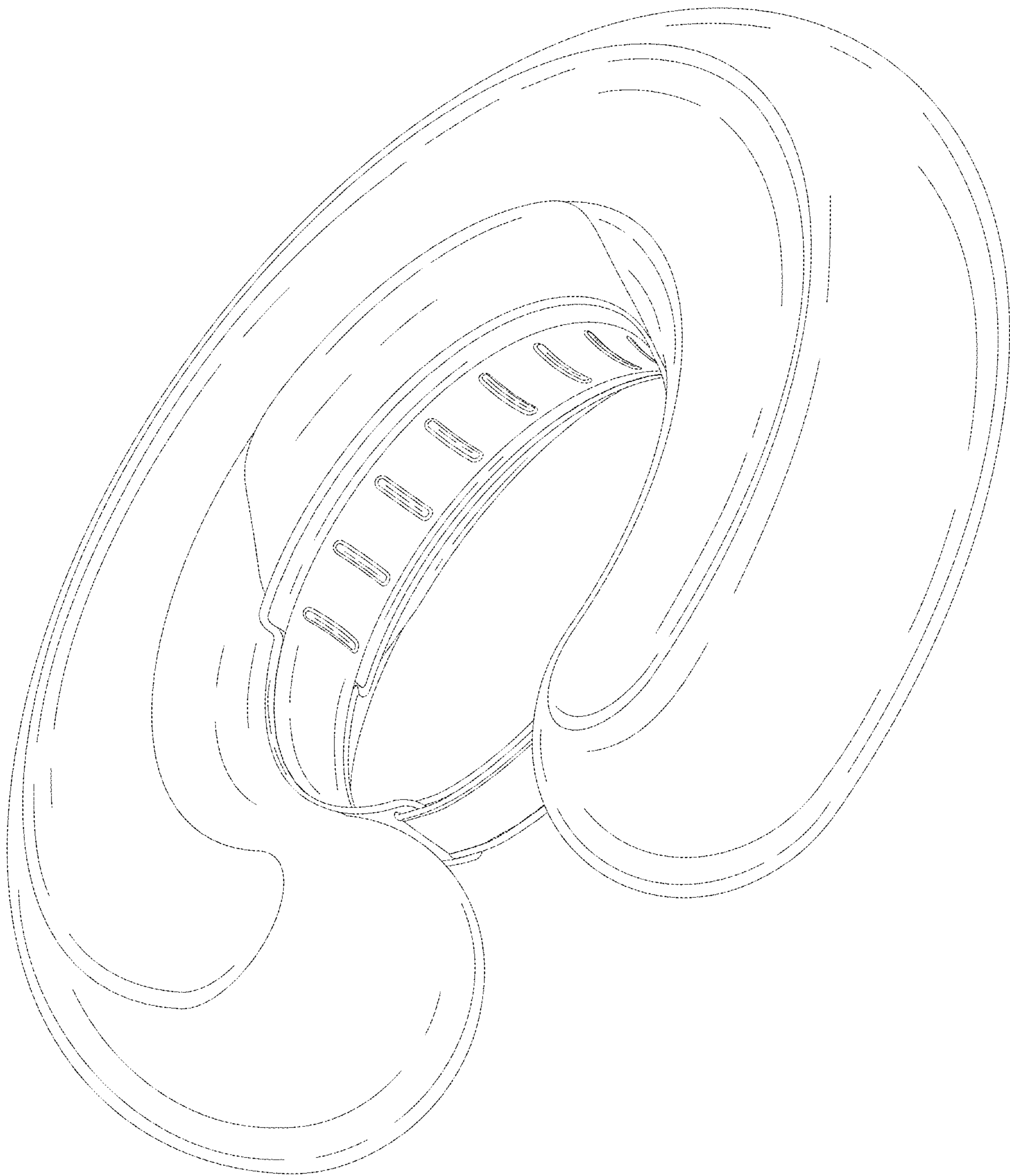


FIG. 2

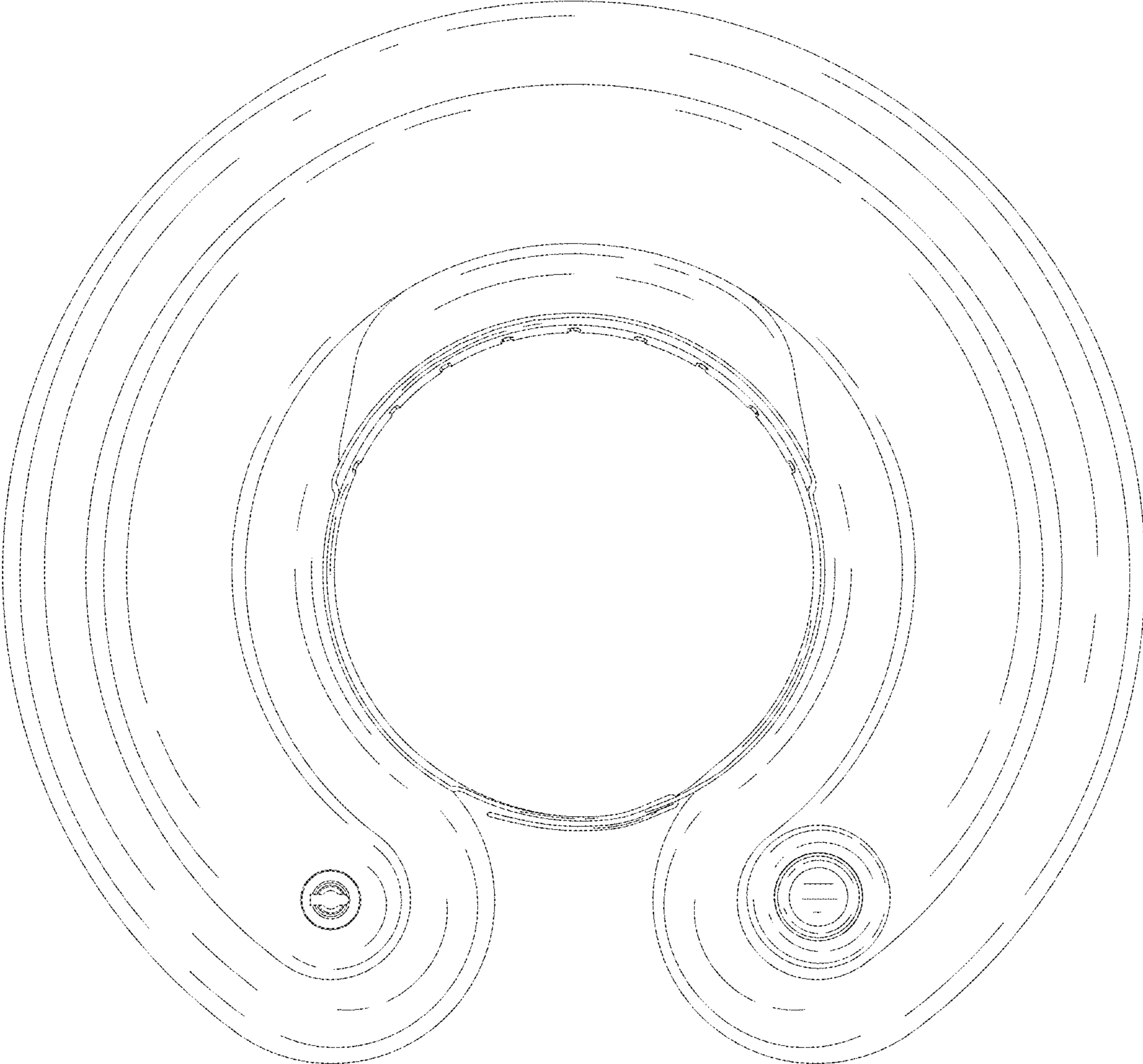


FIG. 3



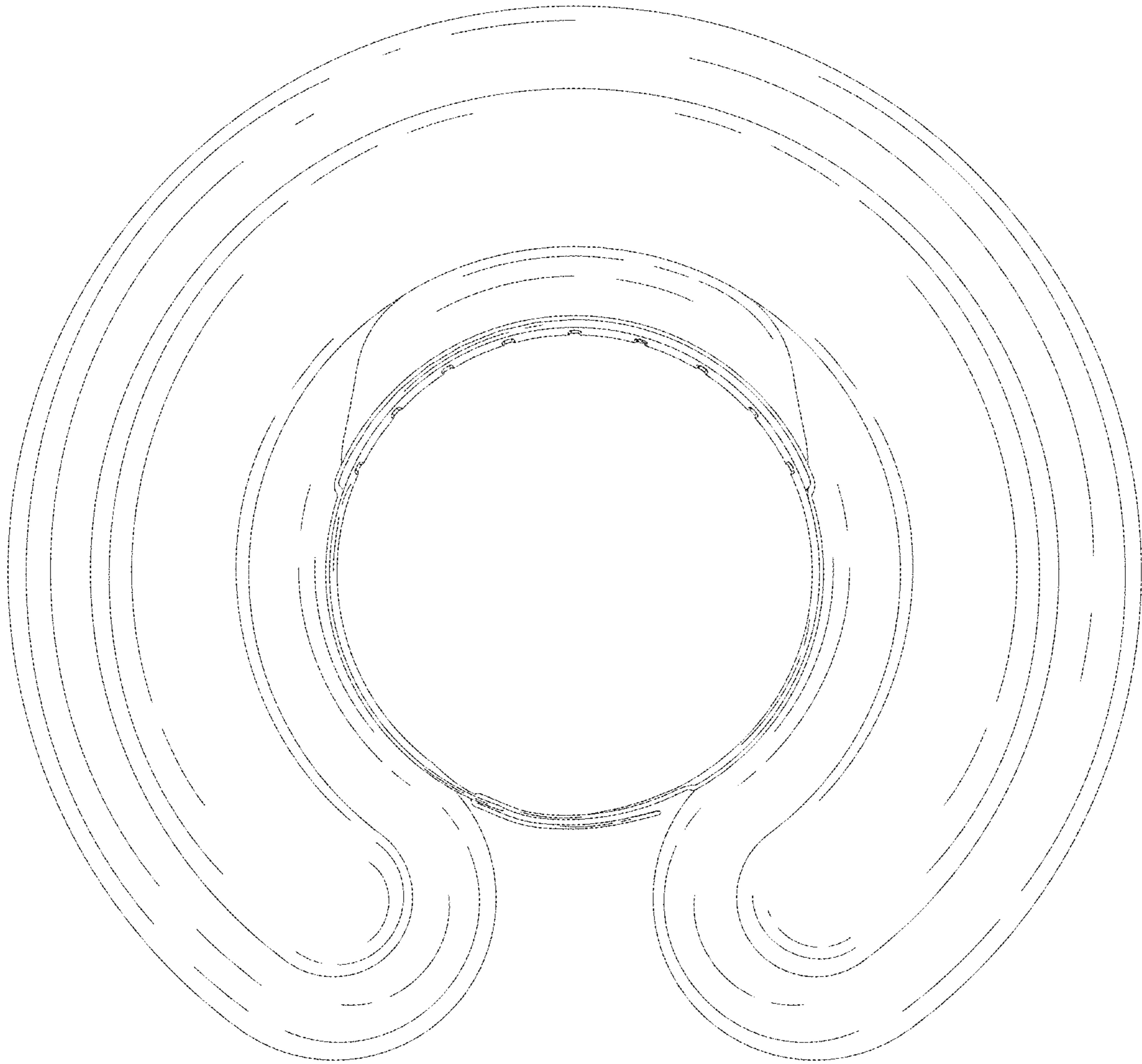


FIG. 4

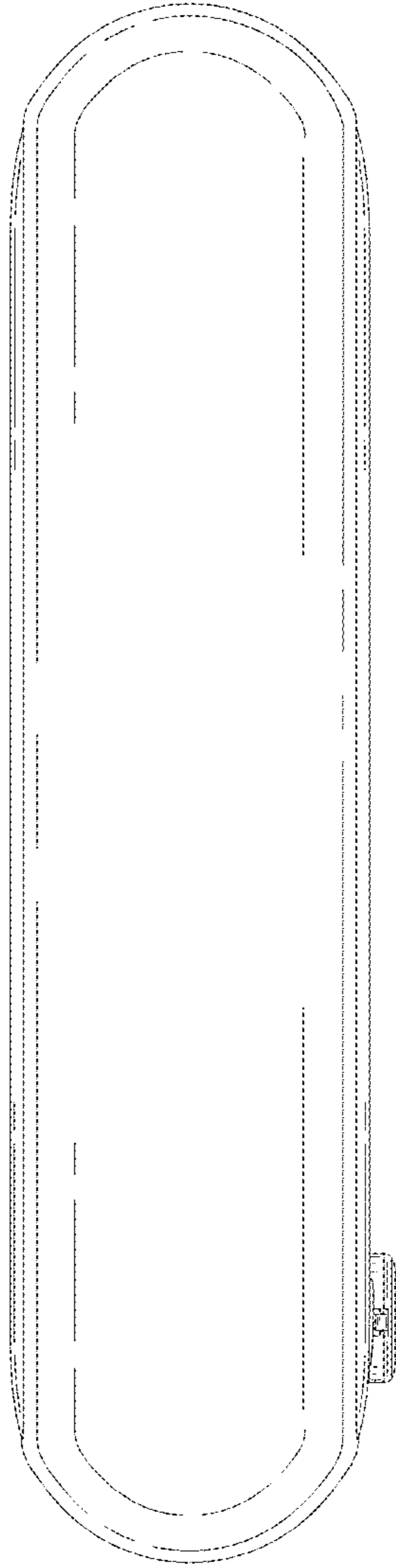


FIG. 5

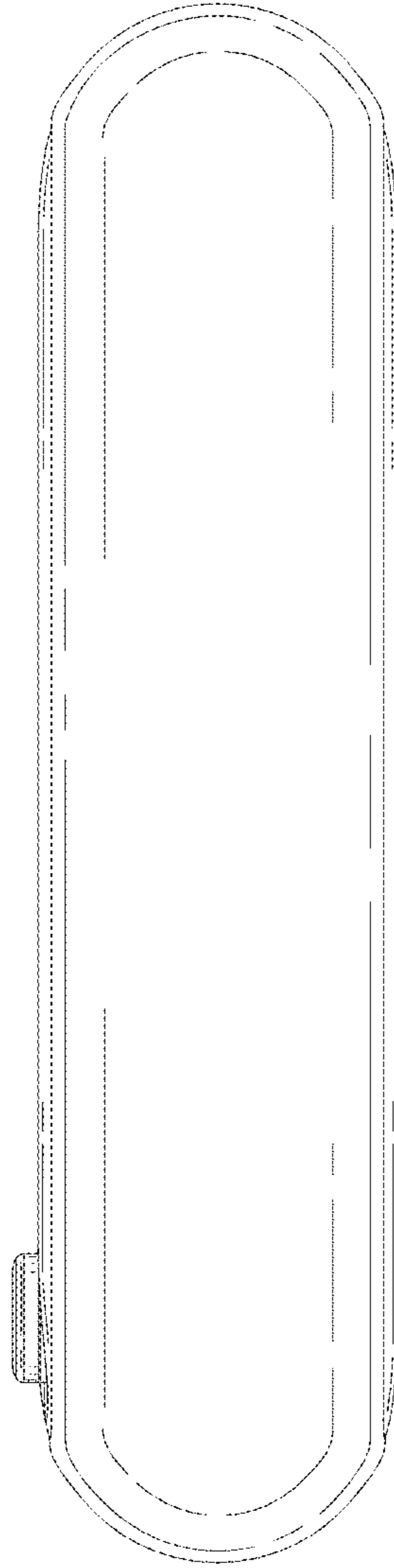


FIG. 6

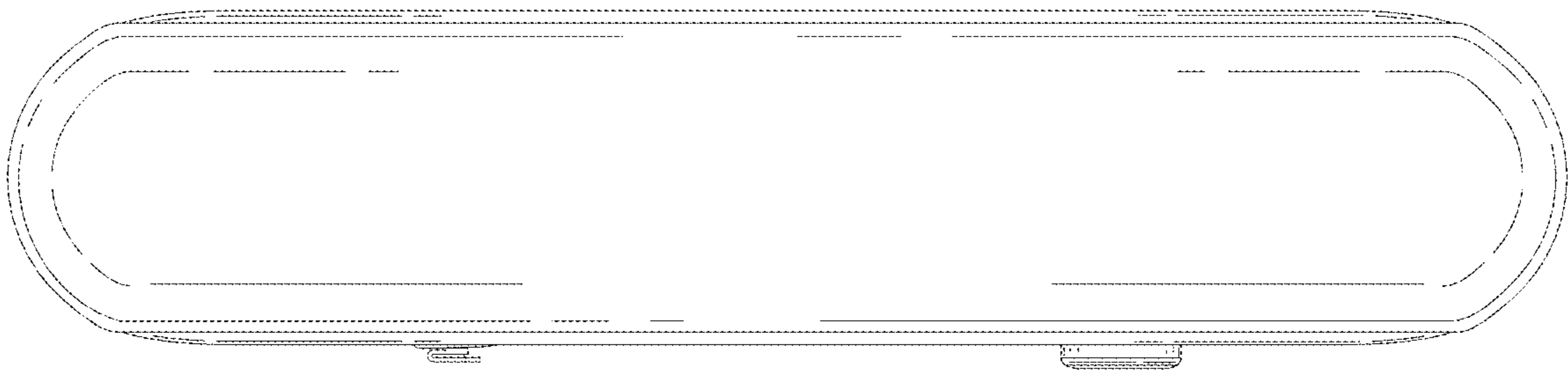


FIG. 7



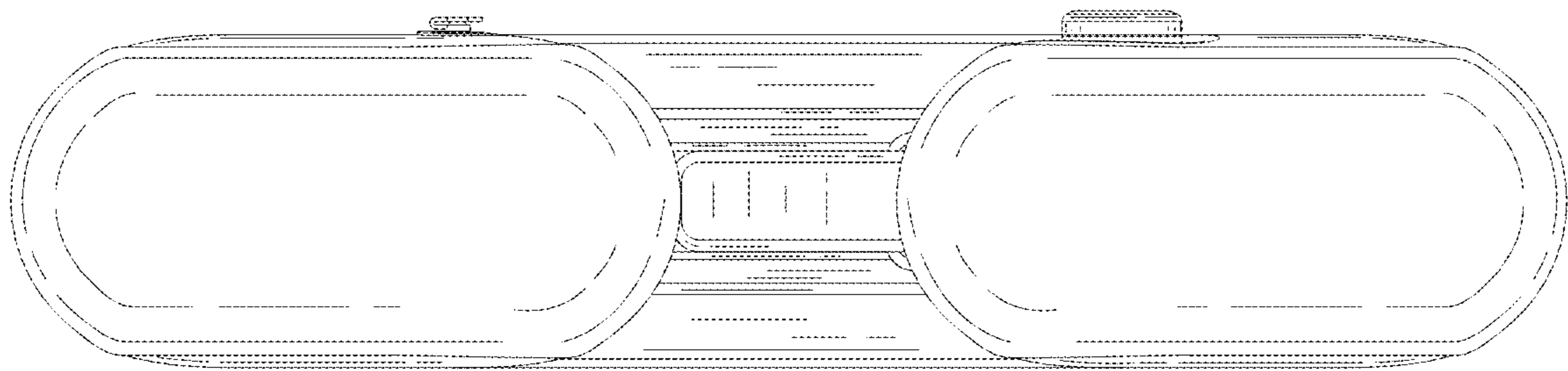


FIG. 8

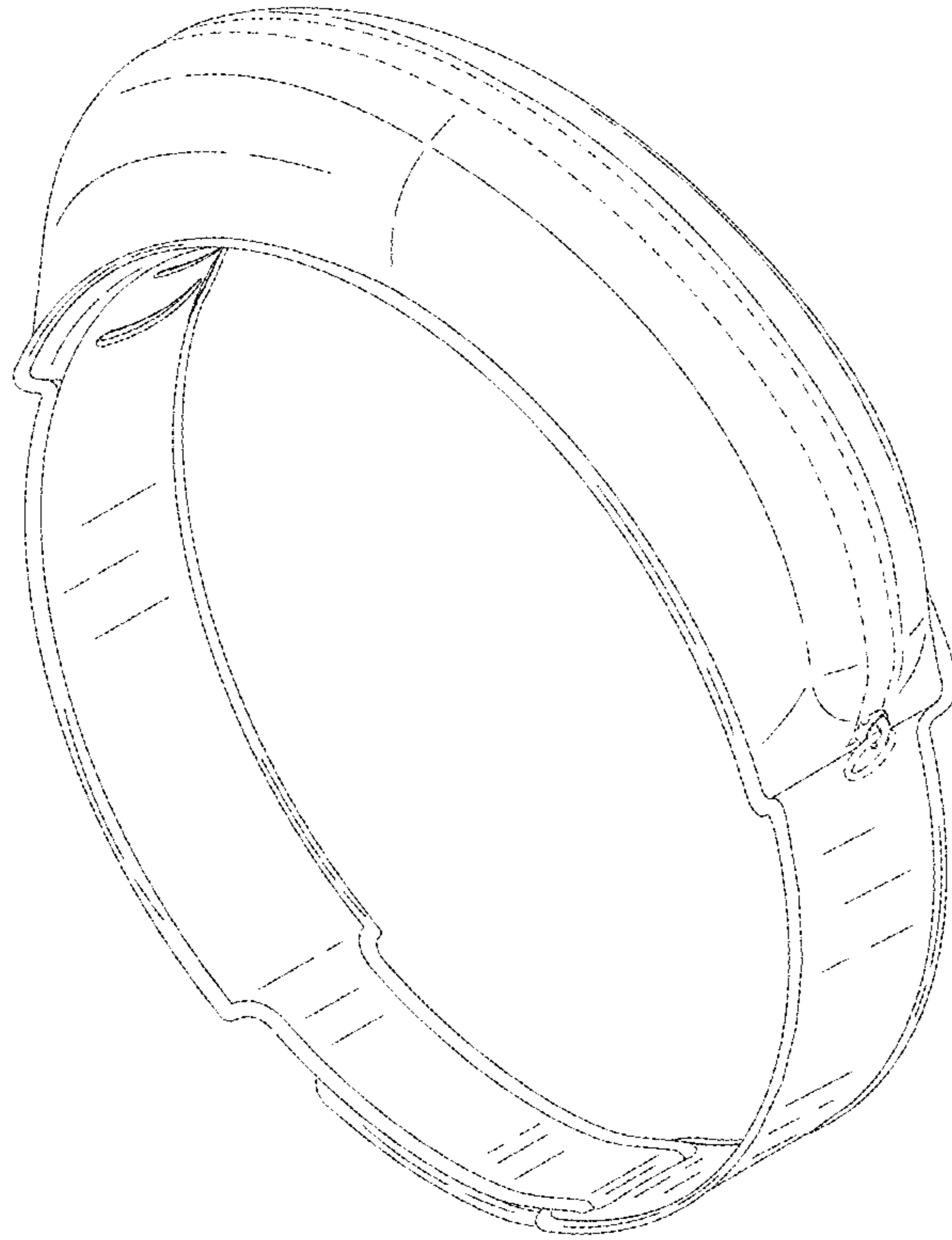


FIG. 9